

US00D546863S

(12) **United States Design Patent**
Ito et al.

(10) **Patent No.:** **US D546,863 S**

(45) **Date of Patent:** **** Jul. 17, 2007**

(54) **CAMERA LENS ADAPTOR**

D510,945 S * 10/2005 Do D16/134

(75) Inventors: **Yoshihiro Ito**, Asaka (JP); **Kentaro Tokiwa**, Asaka (JP); **Hiroshi Tanaka**, Asaka (JP)

* cited by examiner

Primary Examiner—Adir Aronovich
(74) *Attorney, Agent, or Firm*—Young & Thompson

(73) Assignee: **Fuji Photo Film Co., Ltd.**, Kanagawa (JP)

(57) **CLAIM**

(**) Term: **14 Years**

The ornamental design for a camera lens adaptor, as shown and described.

(21) Appl. No.: **29/252,747**

DESCRIPTION

(22) Filed: **Jan. 27, 2006**

(30) **Foreign Application Priority Data**

Jul. 28, 2005 (JP) 2005-021983

(51) **LOC (8) Cl.** **16-05**

(52) **U.S. Cl.** **D16/219; D16/134**

(58) **Field of Classification Search** D16/134,
D16/136, 200, 202, 209, 218, 219; 348/373-376;
359/815, 819, 826-828; 396/529-532, 535,
396/540, 541, 544

See application file for complete search history.

FIG. 1 is a top, front and side perspective view of a camera lens adaptor showing our new design;

FIG. 2 is a front elevational view thereof;

FIG. 3 is a rear elevational view thereof;

FIG. 4 is a top plan view thereof;

FIG. 5 is a bottom plan view thereof;

FIG. 6 is a side elevational view thereof from the left of FIG. 2;

FIG. 7 is a side elevational perspective view from the right of FIG. 2;

FIG. 8 is a top, rear and side perspective view thereof;

FIG. 9 is a view similar to FIG. 1 but with the parts in a different position; and,

FIG. 10 is a top, front and side perspective view thereof when mounted on a camera body.

The parts shown in broken lines are only to illustrate the environment and are not claimed.

(56) **References Cited**

U.S. PATENT DOCUMENTS

4,352,548	A *	10/1982	Toyoda	396/529
4,357,090	A *	11/1982	Araki	396/529
4,457,609	A *	7/1984	Tomino et al.	396/532
5,040,011	A *	8/1991	Tiffen	396/544
D339,599	S *	9/1993	Tiffen	D16/219
5,384,614	A *	1/1995	Hasuda	396/529
6,545,825	B2 *	4/2003	Shoji et al.	359/819

1 Claim, 6 Drawing Sheets

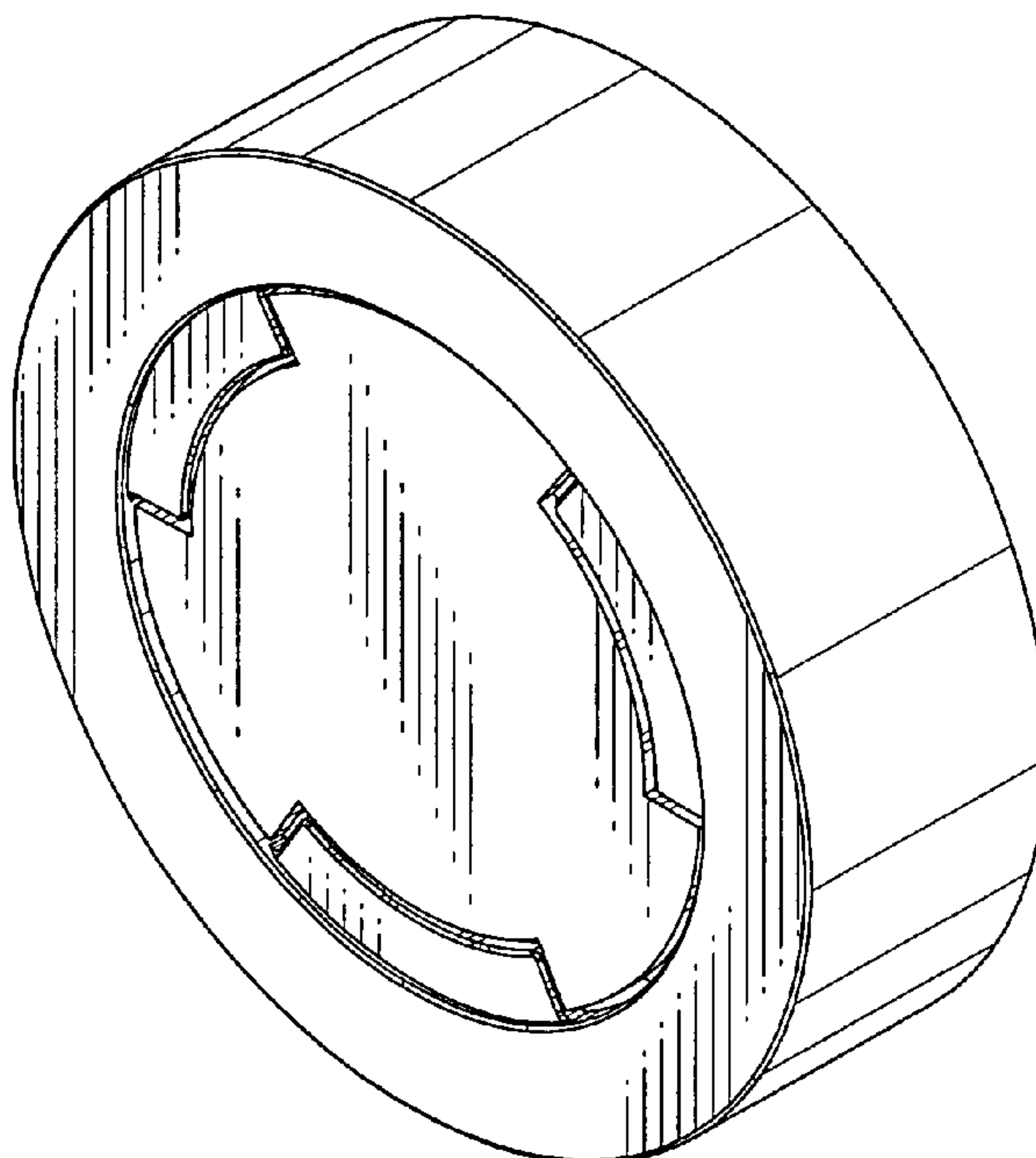


FIG. 1

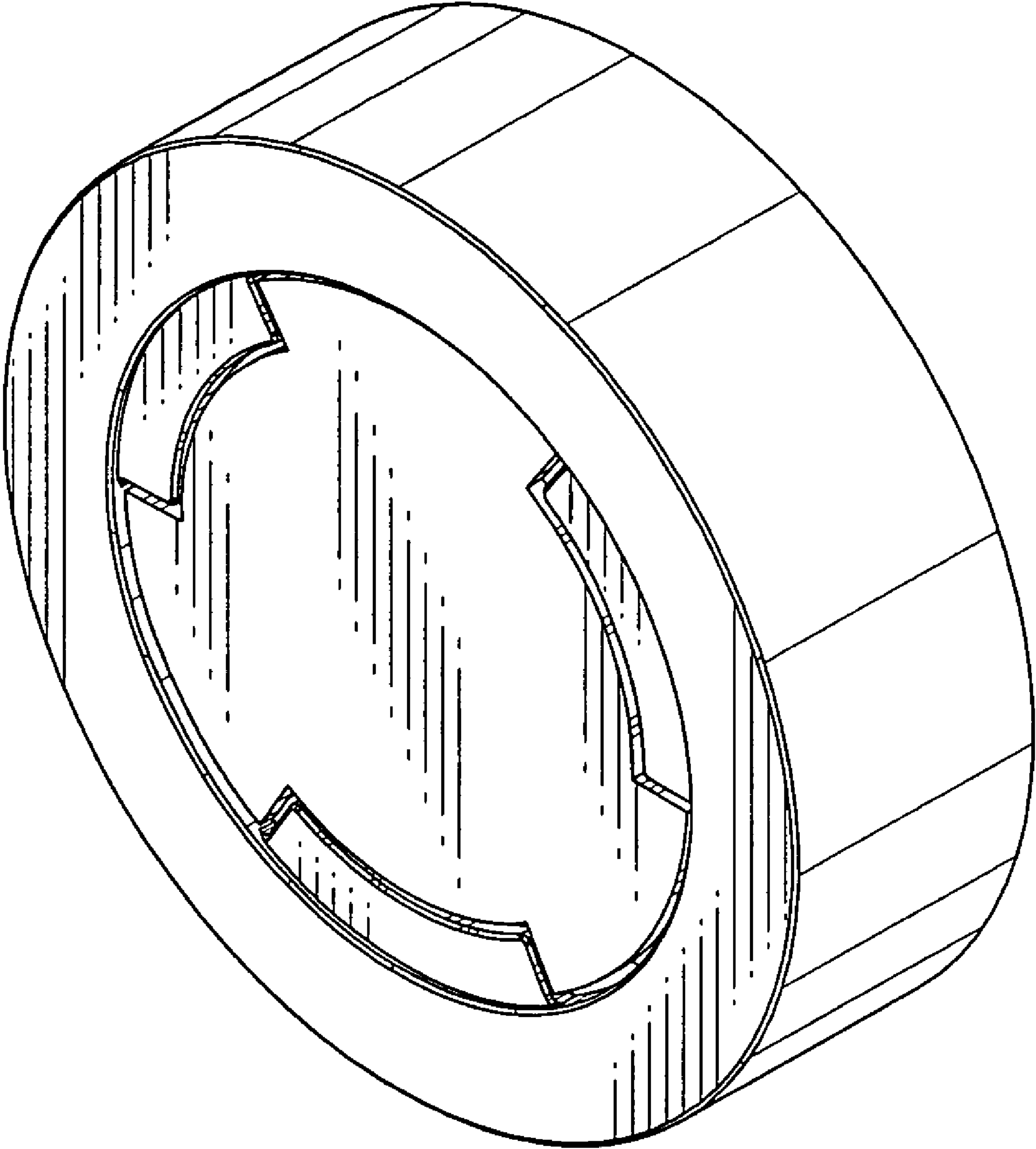


FIG. 2

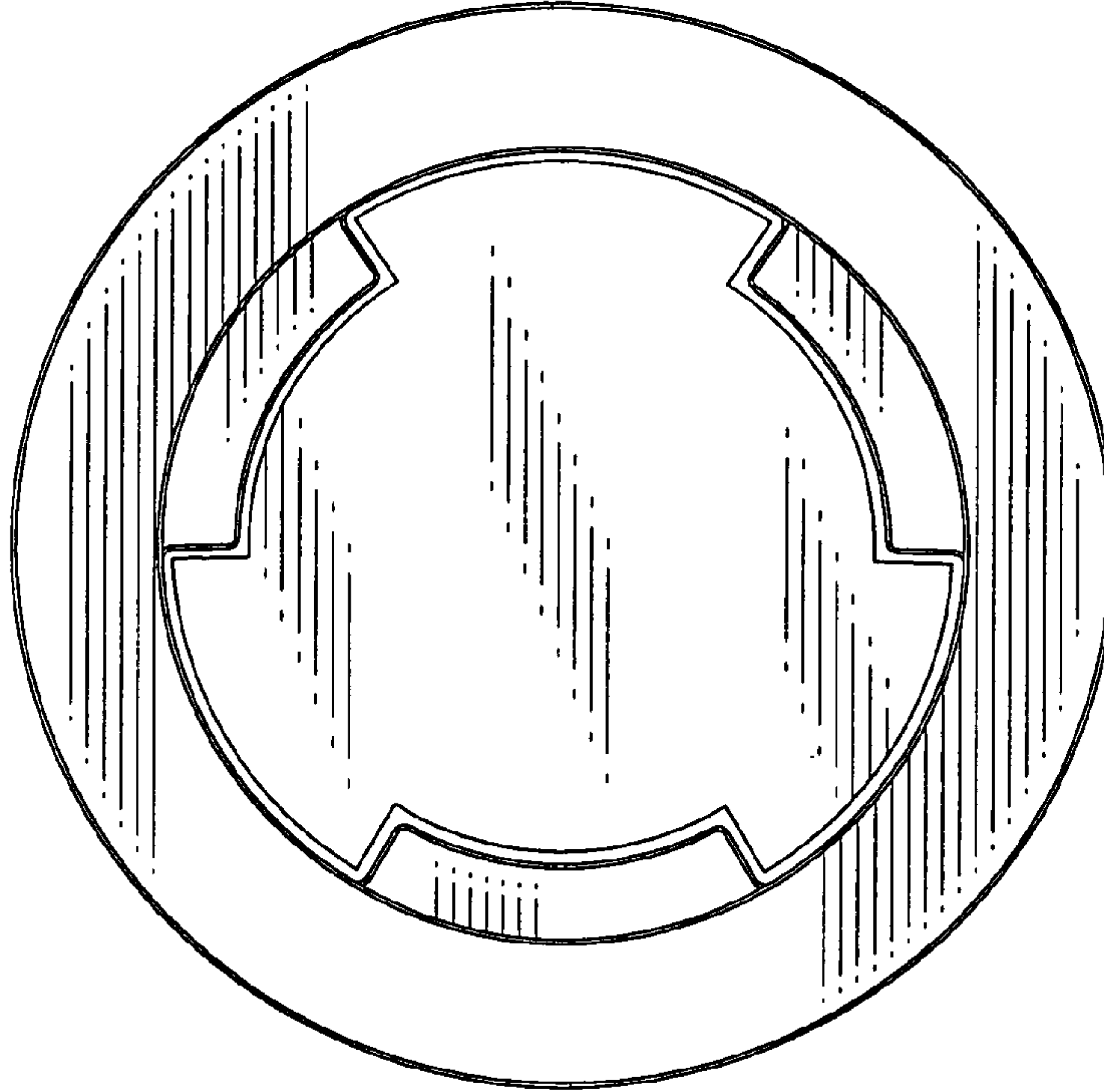


FIG. 3

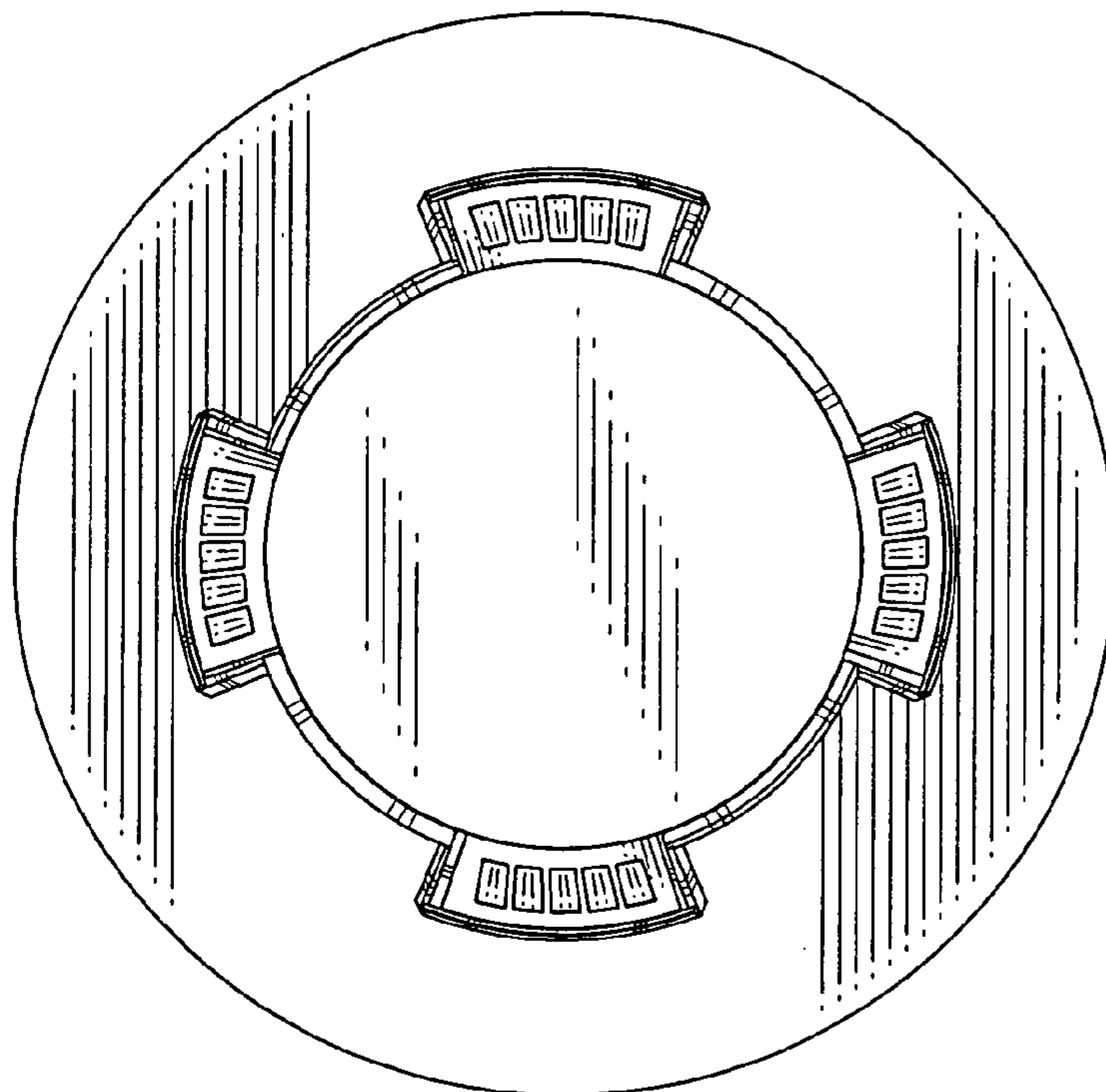


FIG.4

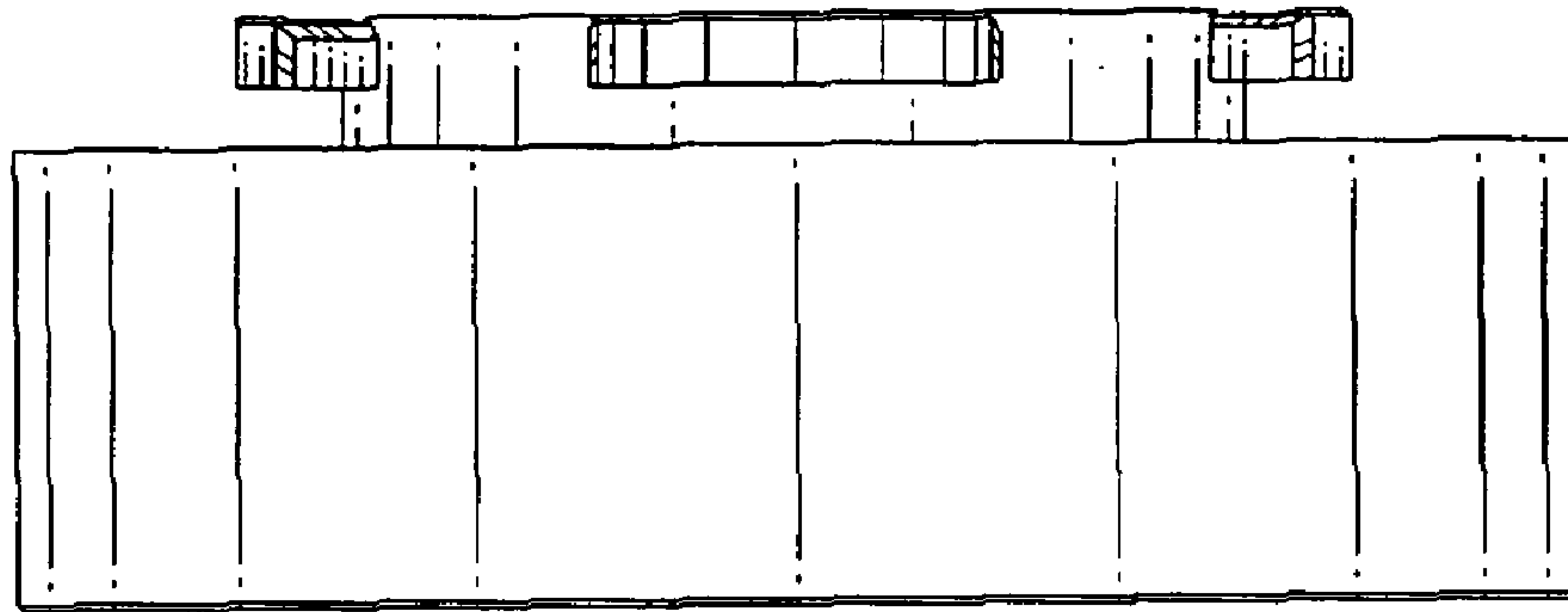


FIG.5

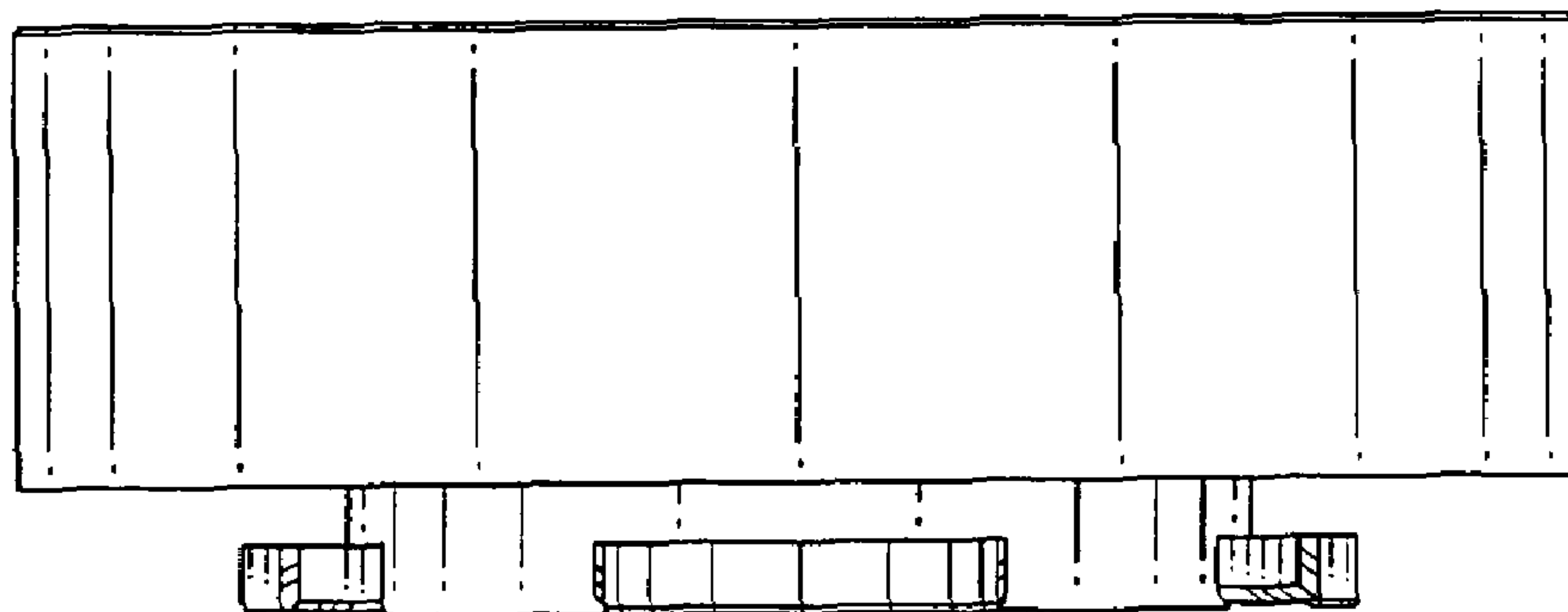


FIG. 6

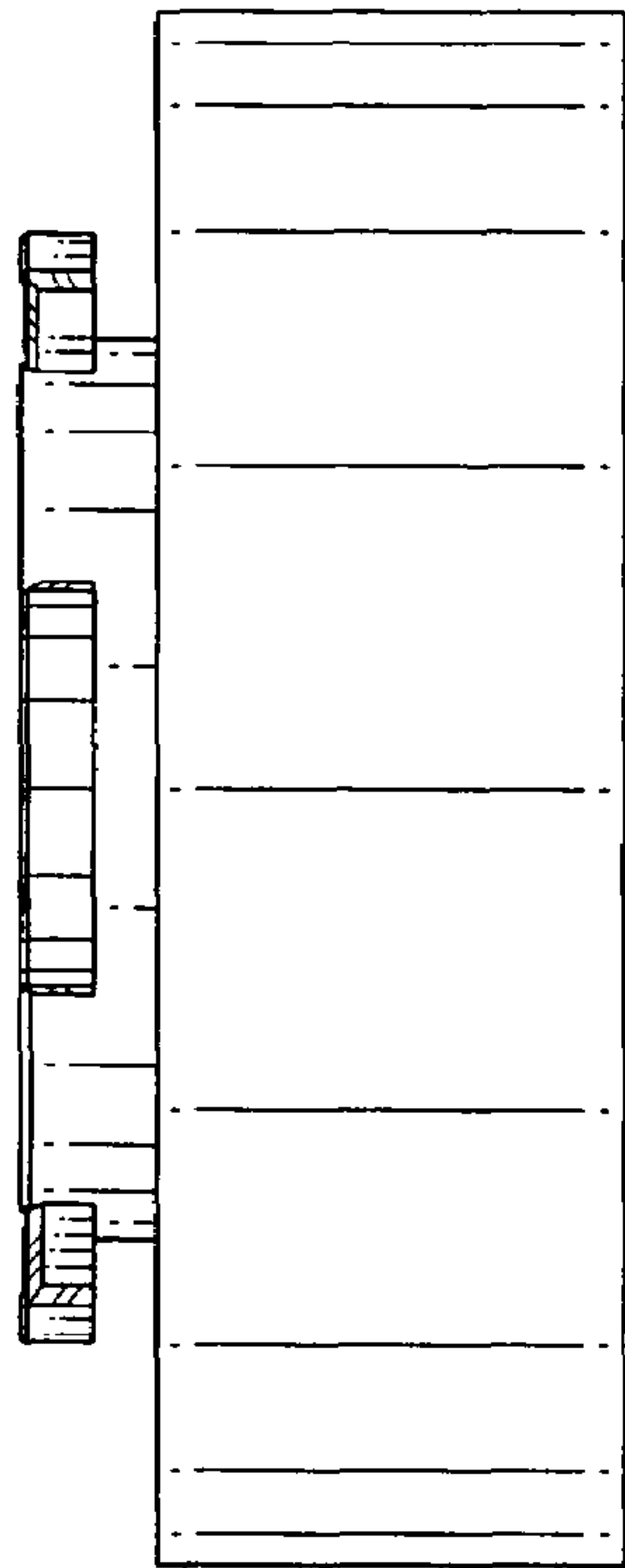


FIG. 7

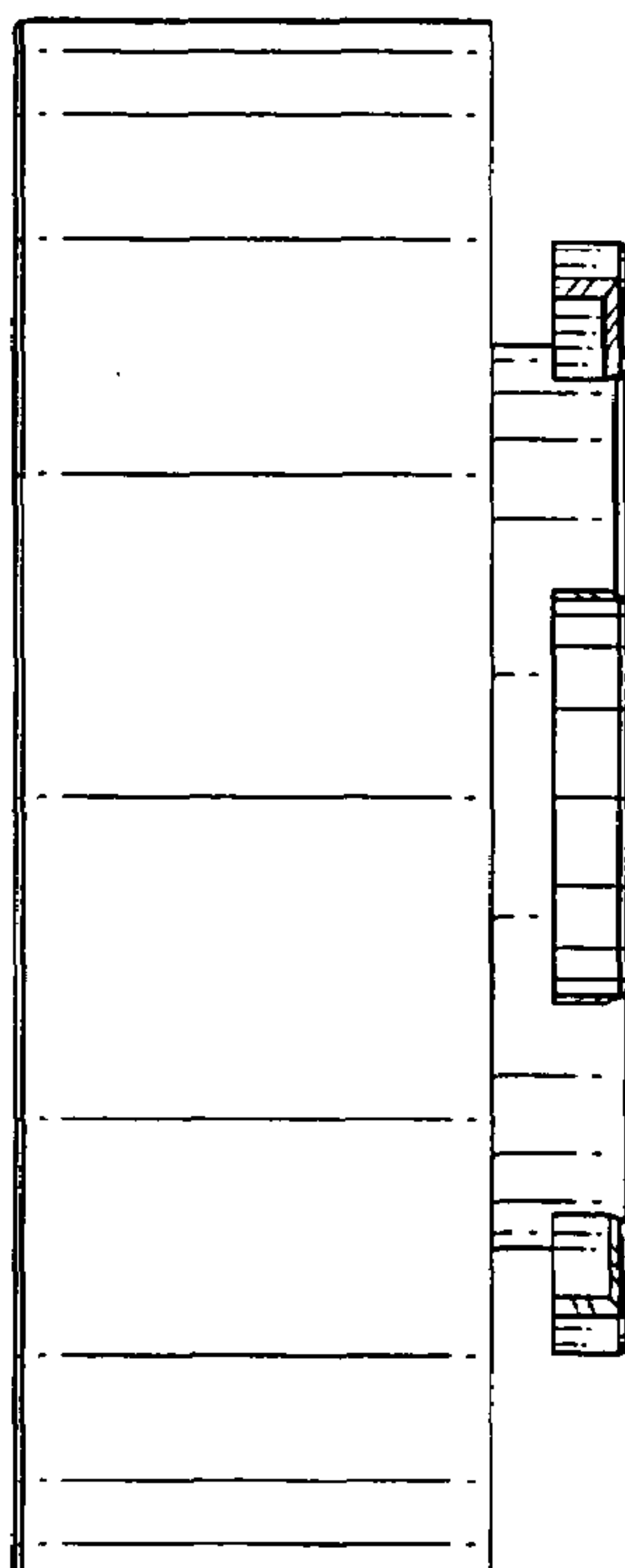


FIG.8

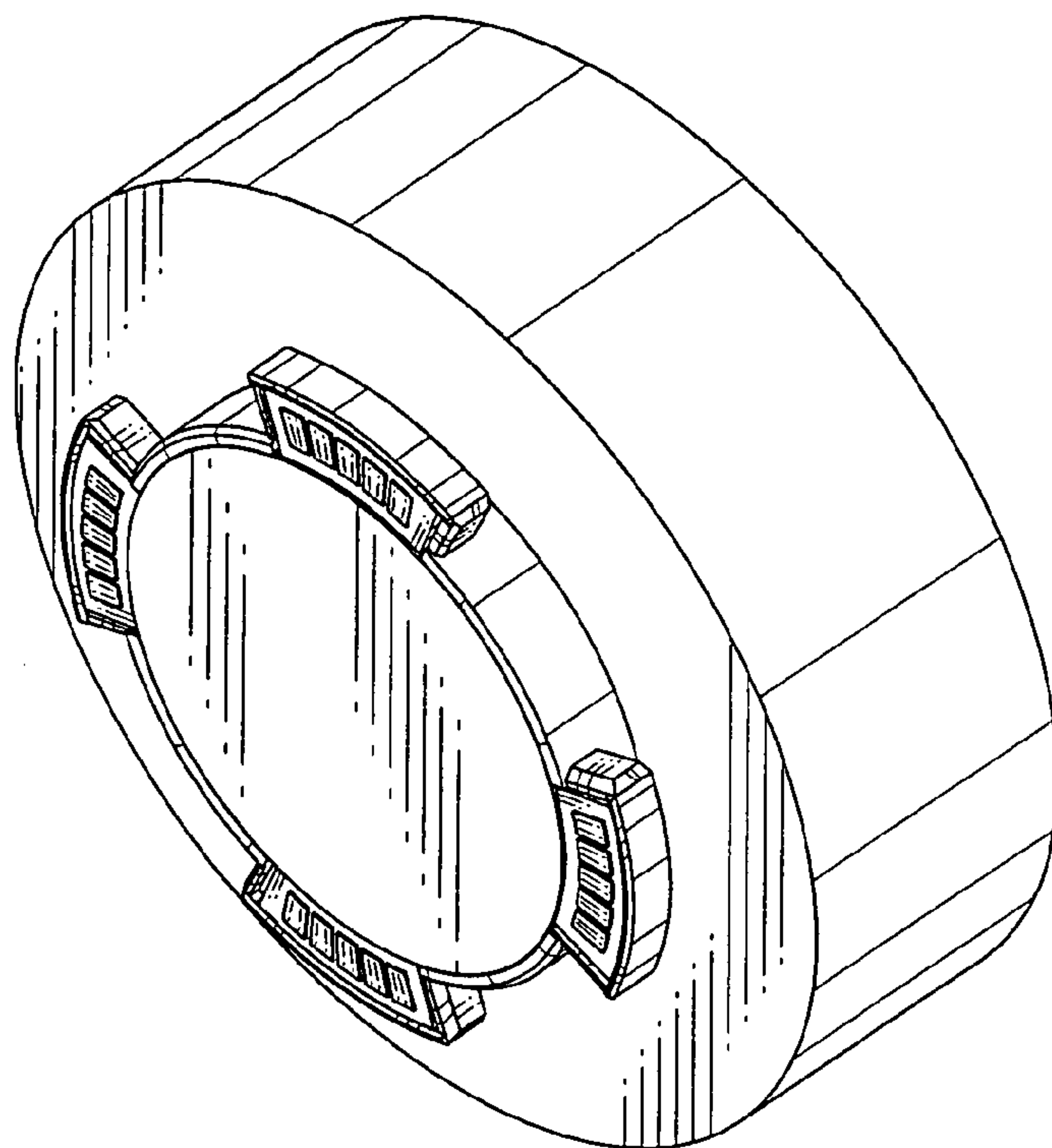


FIG.9

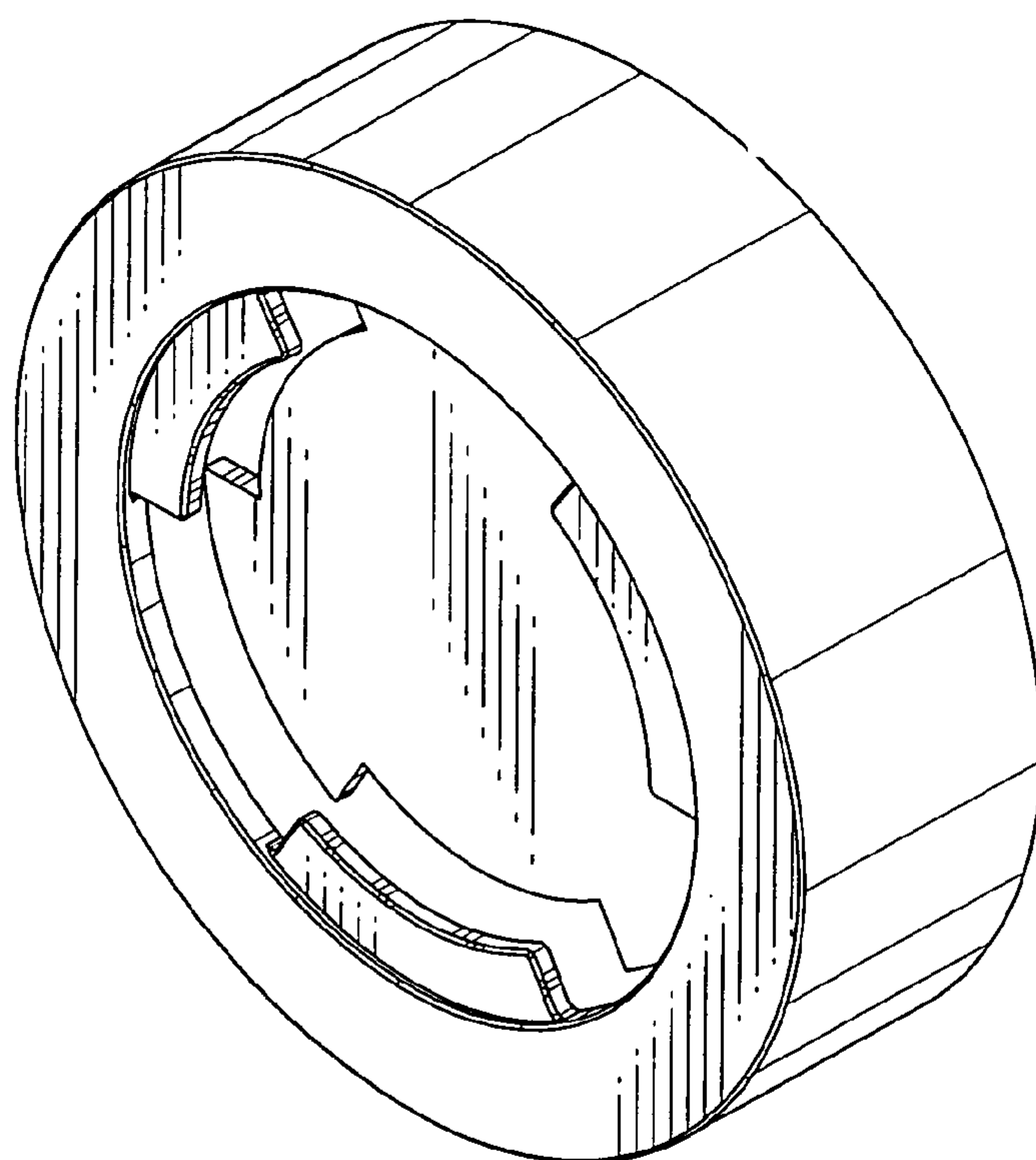


FIG. 10

