

US00D546862S

(12) **United States Design Patent**  
**Tainaka**

(10) **Patent No.:** **US D546,862 S**

(45) **Date of Patent:** **\*\* Jul. 17, 2007**

(54) **DIGITAL CAMERA**

D526,675 S \* 8/2006 Nasu ..... D16/219  
D532,027 S \* 11/2006 Lee ..... D16/202

(75) Inventor: **Daisuke Tainaka**, Hachioji (JP)

\* cited by examiner

(73) Assignee: **Olympus Imaging Corp.**, Tokyo (JP)

*Primary Examiner*—Adir Aronovich

(\*\*) Term: **14 Years**

(74) *Attorney, Agent, or Firm*—Hogan & Hartson LLP

(21) Appl. No.: **29/245,581**

(57) **CLAIM**

(22) Filed: **Dec. 23, 2005**

The ornamental design for a digital camera, as shown and described.

(30) **Foreign Application Priority Data**

**DESCRIPTION**

Dec. 19, 2005 (JP) ..... 2005-037256

FIG. 1 is a front, top and right side perspective view thereof;

(51) **LOC (8) Cl.** ..... **16-05**

FIG. 2 is a rear, bottom and left side perspective view thereof;

(52) **U.S. Cl.** ..... **D16/219; D16/202**

FIG. 3 is a front elevational view thereof;

(58) **Field of Classification Search** ..... D16/200–205,

FIG. 4 is a rear elevational view thereof;

D16/208, 218, 219; 348/373–376; 358/909.1;  
396/535–541

FIG. 5 is a top plan view thereof;

See application file for complete search history.

FIG. 6 is a bottom plan view thereof;

(56) **References Cited**

FIG. 7 is a right side elevational view thereof; and,

**U.S. PATENT DOCUMENTS**

FIG. 8 is a left side elevational view thereof.

D516,596 S \* 3/2006 Watarai ..... D16/202

The portions of the camera in broken lines are shown for illustrative purposes only and form no part of the claimed design.

D518,499 S \* 4/2006 Iue ..... D16/219

D522,560 S \* 6/2006 Inaba ..... D16/219

D523,458 S \* 6/2006 Watanabe ..... D16/219

D525,275 S \* 7/2006 Nagayama et al. .... D16/219

**1 Claim, 5 Drawing Sheets**

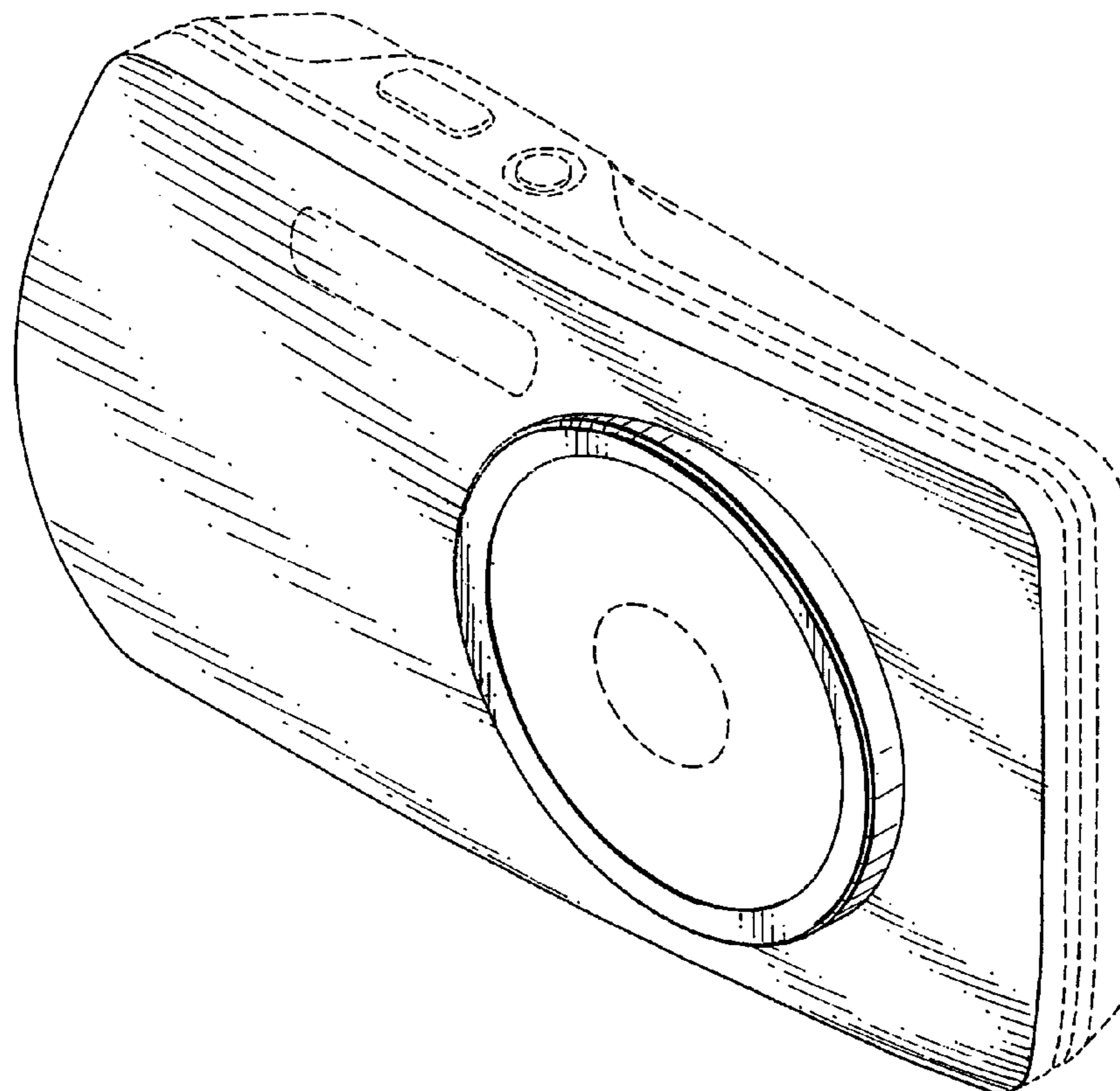


FIG. 1

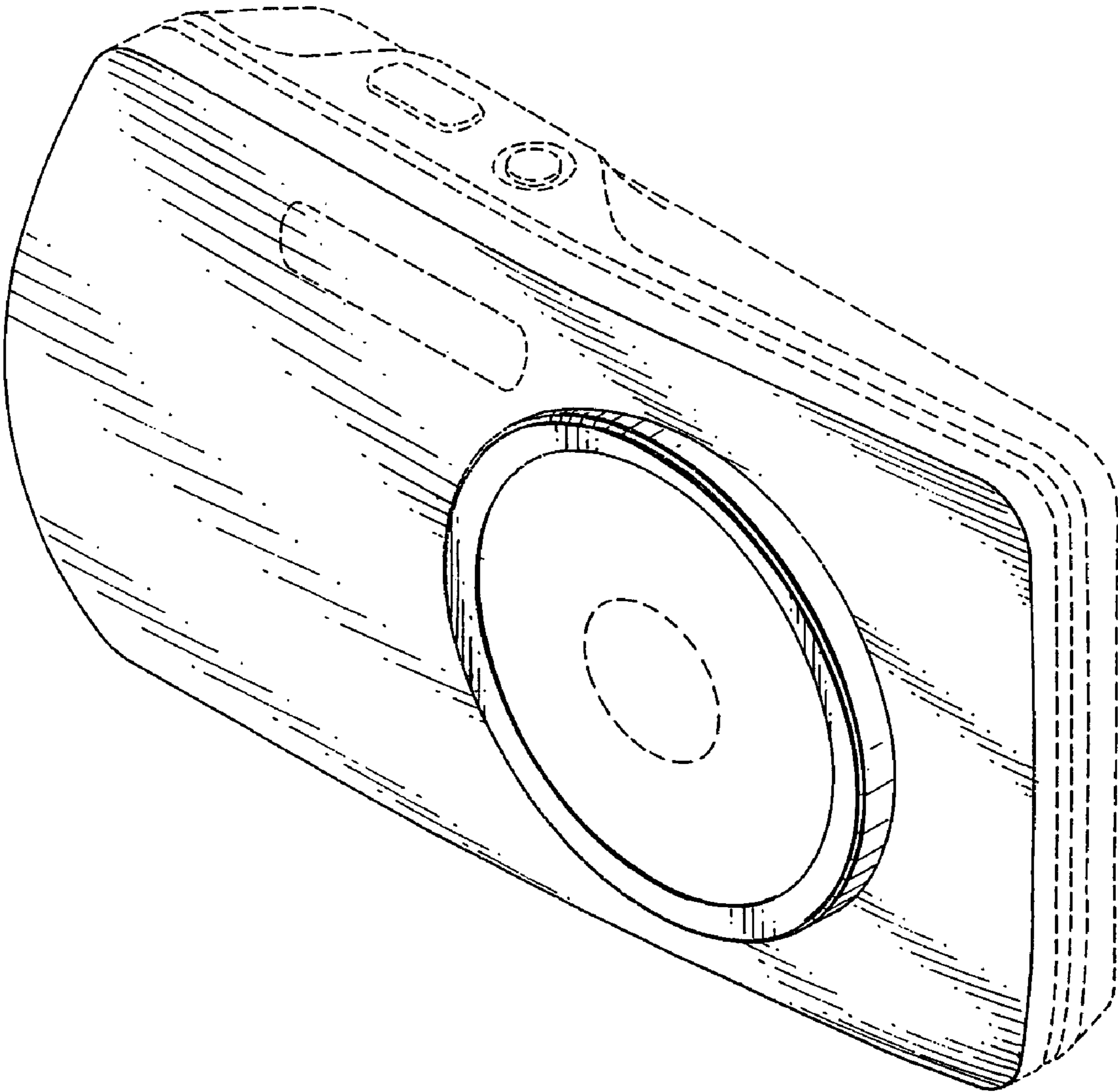


FIG. 2

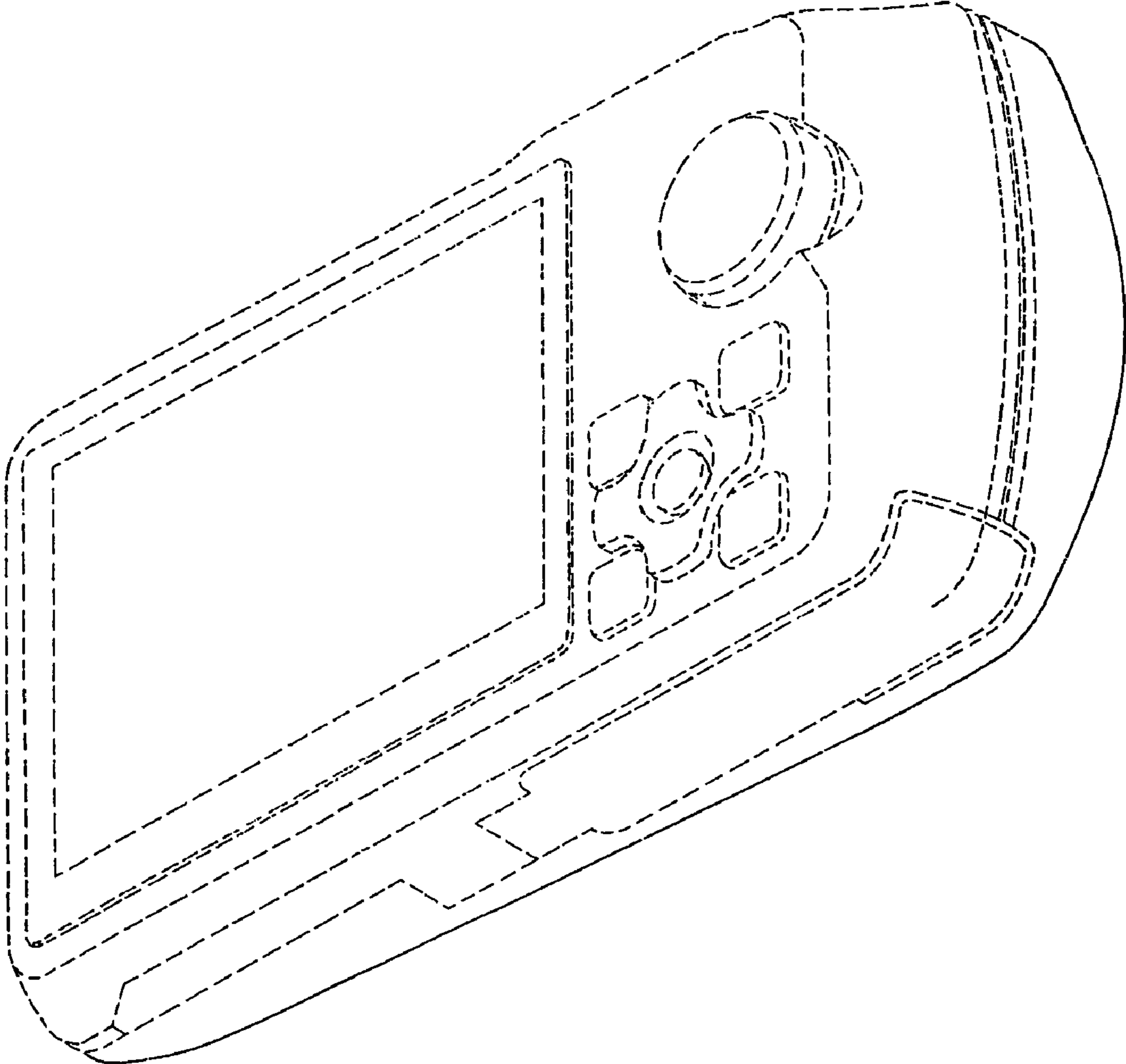


FIG. 3

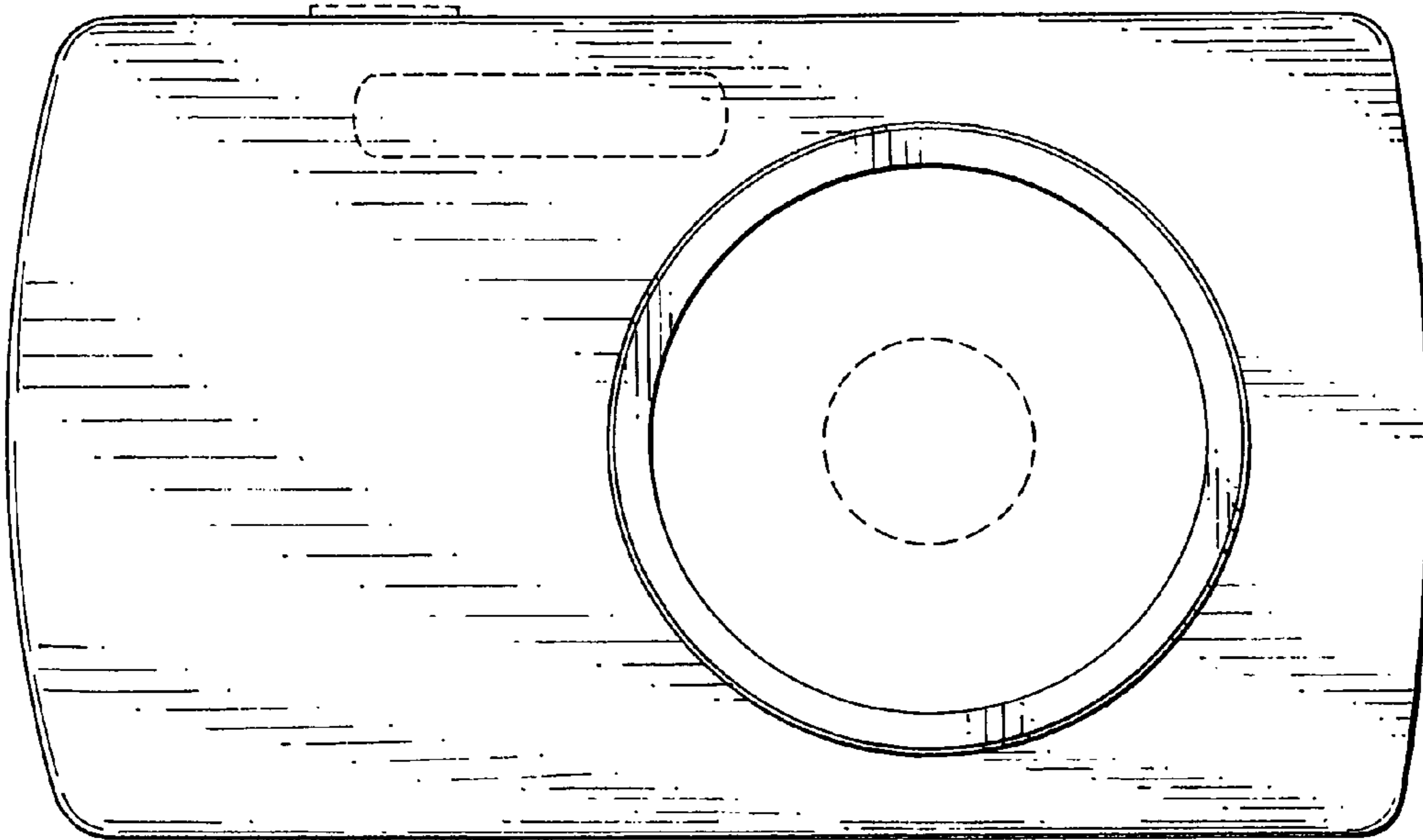


FIG. 4

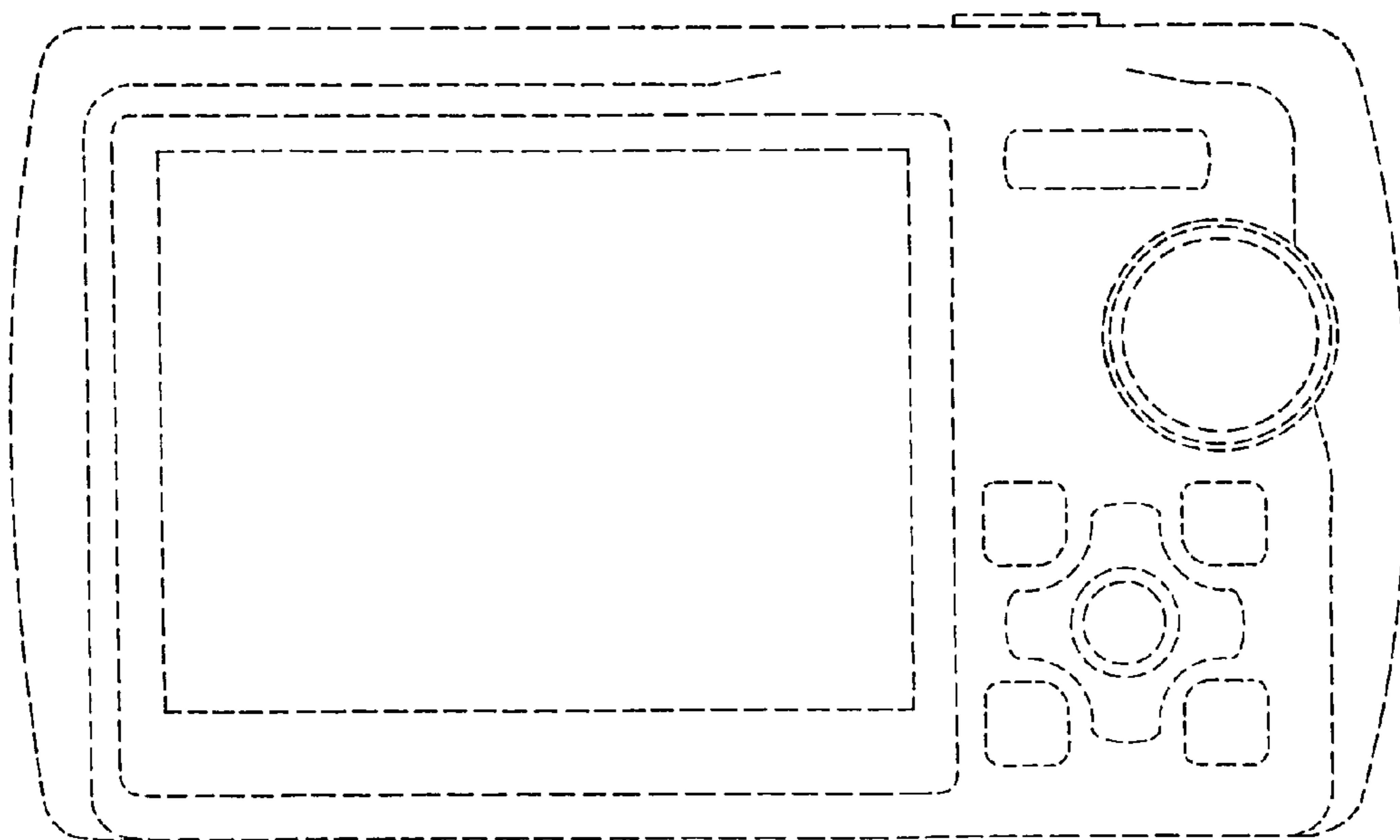


FIG. 5

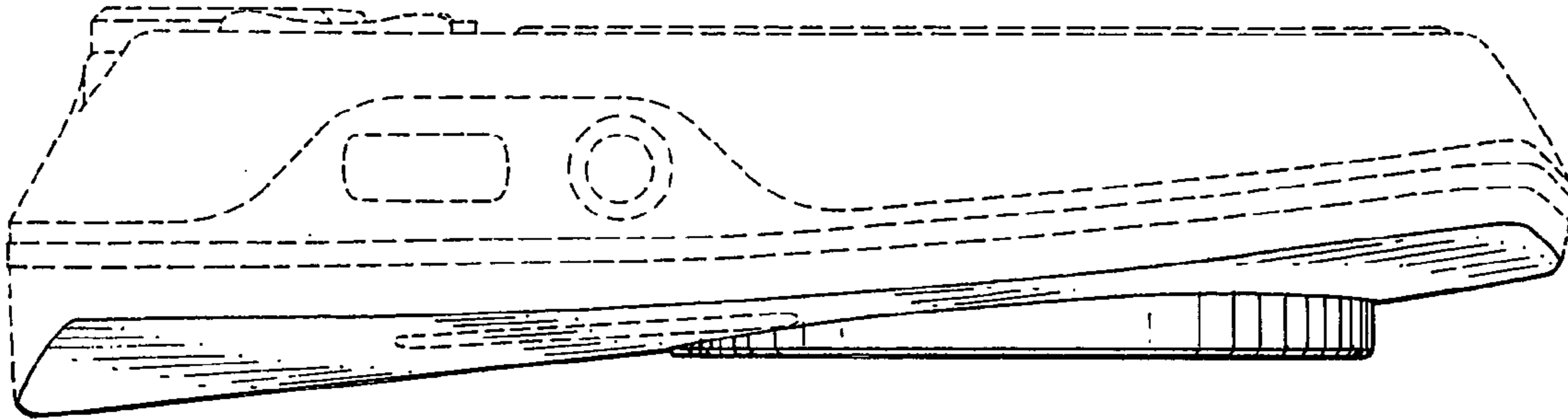


FIG. 6

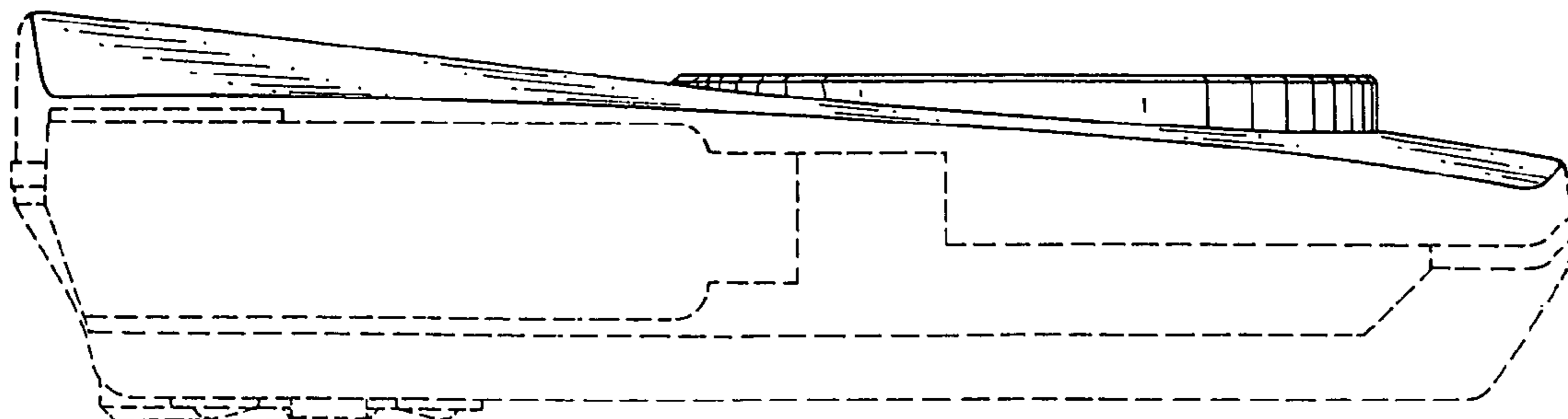


FIG. 7

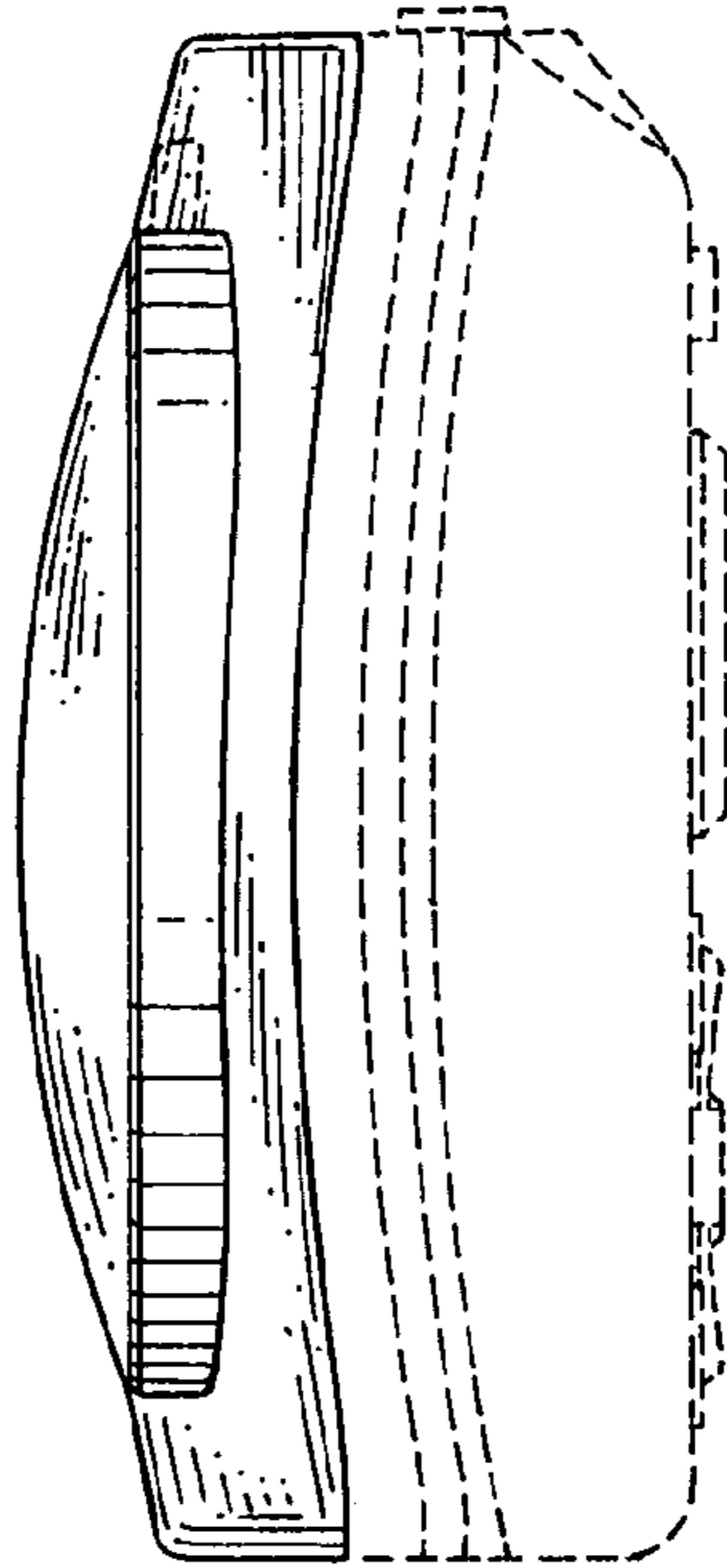


FIG. 8

