



US00D546860S

(12) **United States Design Patent**
Meguro

(10) **Patent No.:** **US D546,860 S**

(45) **Date of Patent:** **** Jul. 17, 2007**

(54) **CAMERA**

Primary Examiner—Adir Aronovich

(74) *Attorney, Agent, or Firm—Hogan & Hartson LLP*

(75) Inventor: **Chikayoshi Meguro**, Hachioji (JP)

(73) Assignee: **Olympus Corporation**, Tokyo (JP)

(57) **CLAIM**

(**) Term: **14 Years**

The ornamental design for a camera, as shown and described.

(21) Appl. No.: **29/229,167**

(22) Filed: **May 4, 2005**

DESCRIPTION

Related U.S. Application Data

(62) Division of application No. 29/194,744, filed on Nov. 24, 2003, now Pat. No. Des. 508,935.

FIG. 1 is a perspective view of a camera showing my new design;

FIG. 2 is a perspective view thereof, the barrier being in an opened state and the lens extended;

(30) **Foreign Application Priority Data**

Sep. 25, 2003 (JP) 2003-27947

FIG. 3 is a top plan view thereof;

FIG. 4 is a front elevational view thereof;

(51) **LOC (8) Cl.** **16-05**

(52) **U.S. Cl.** **D16/219; D16/212**

(58) **Field of Classification Search** **D16/200–204, D16/208, 211, 212, 218, 219; 348/373–376; 396/349, 448, 535–541**

FIG. 5 is a bottom plan view thereof;

FIG. 6 is a left side elevational view thereof;

FIG. 7 is a right side elevational view thereof;

FIG. 8 is a rear elevational view thereof;

See application file for complete search history.

FIG. 9 is a top plan view thereof, the barrier being in an opened state and the lens extended;

FIG. 10 is a front elevational view thereof, the barrier being in an opened state and the lens extended; and,

(56) **References Cited**

U.S. PATENT DOCUMENTS

4,556,304	A *	12/1985	Fukuda	396/448
D323,336	S	1/1992	Moro et al.	D16/212
5,508,769	A	4/1996	Inoue et al.	396/349
6,151,455	A	11/2000	Mikami et al.	396/448
D451,527	S *	12/2001	Suzuki et al.	D16/219
D483,786	S	12/2003	Urushihata	D16/212
D491,591	S	6/2004	Naito	D16/202
D501,865	S *	2/2005	Li et al.	D16/219
D509,235	S *	9/2005	Imai	D16/219

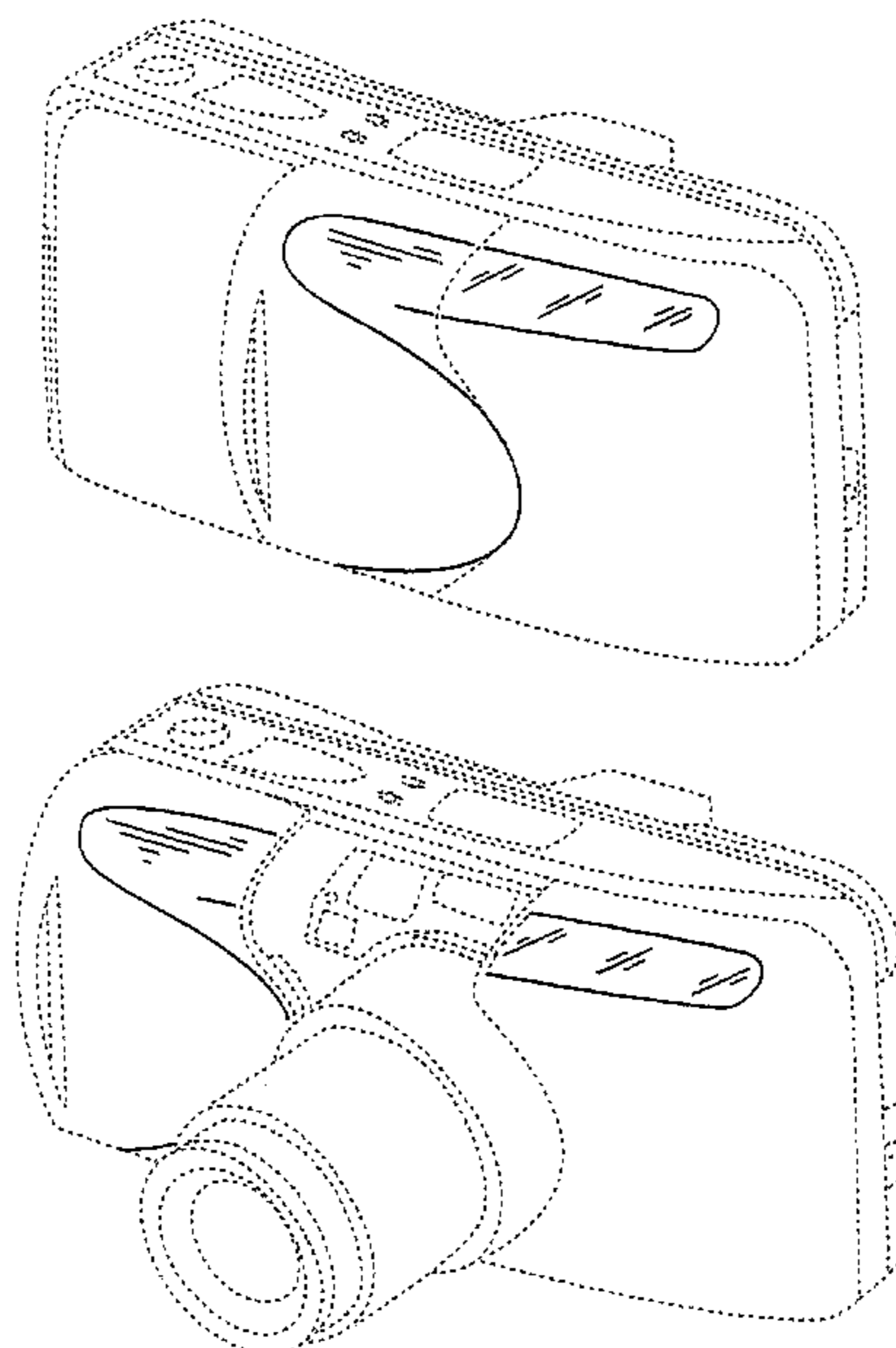
FIG. 11 is a right side elevational view thereof, the barrier being in an opened state and the lens extended.

The portions of the camera in broken lines are shown for illustrative purposes only and form no part of the claimed design.

The claimed lens barrier and S-like curved line are both structural elements of the camera.

* cited by examiner

1 Claim, 5 Drawing Sheets



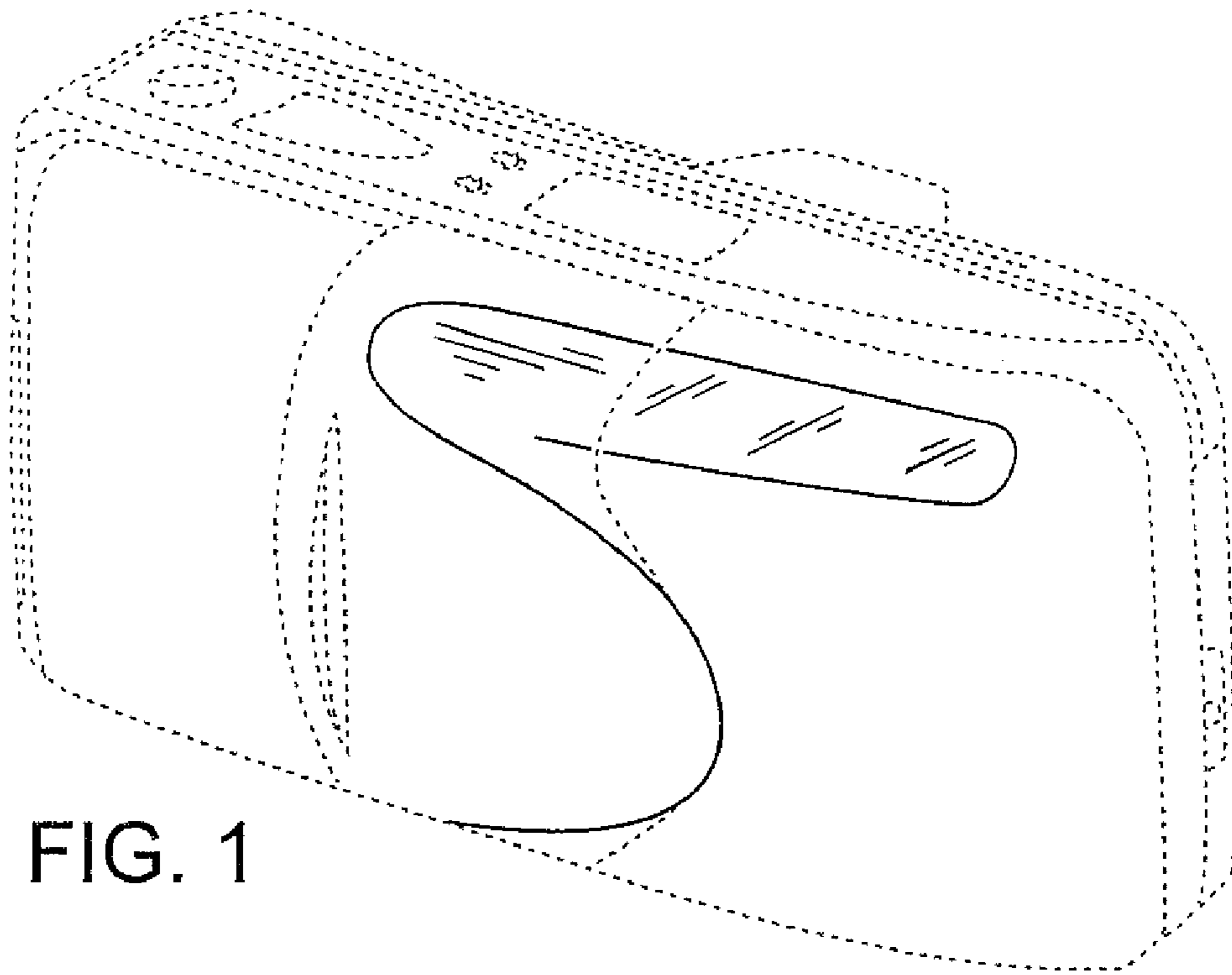


FIG. 1

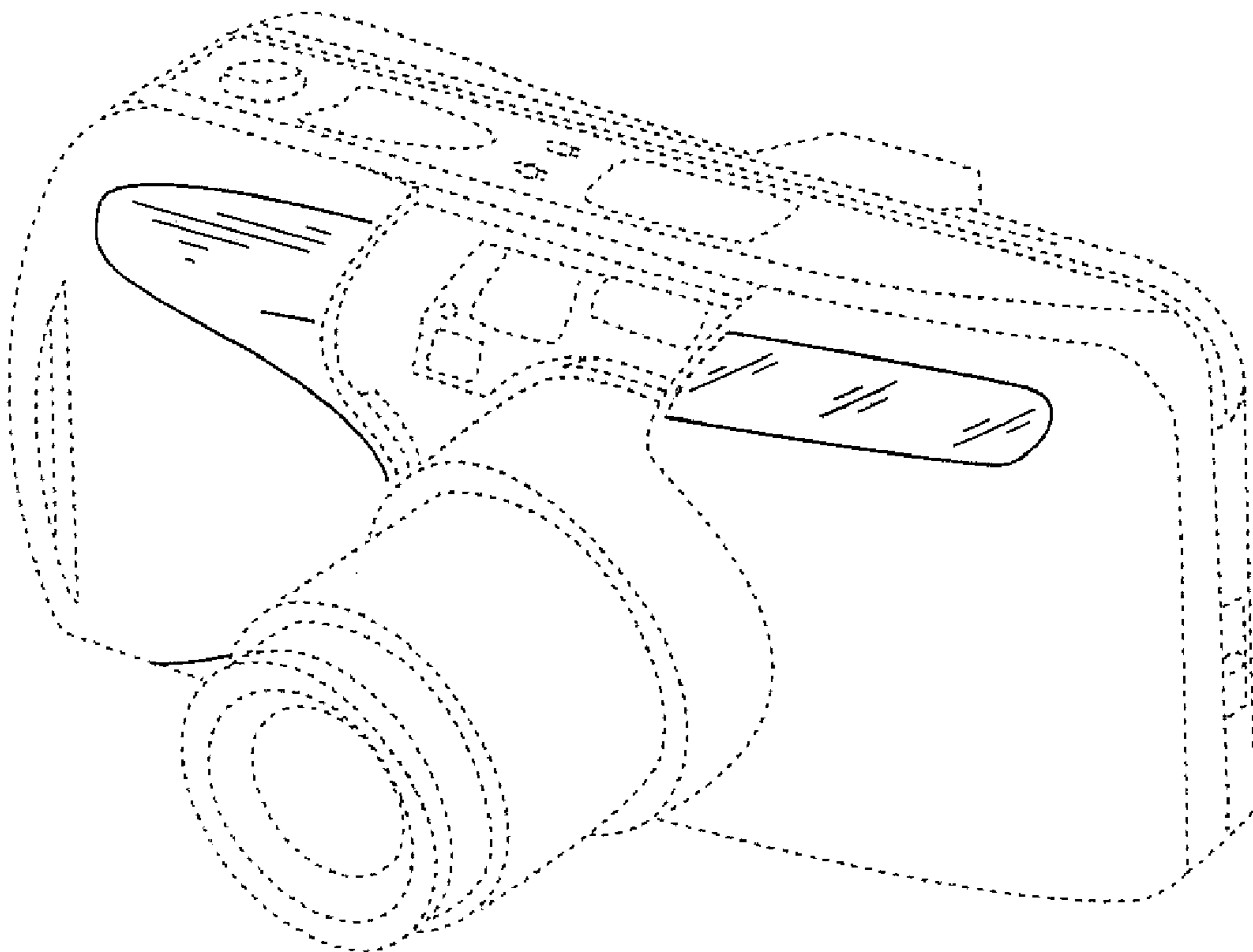


FIG. 2

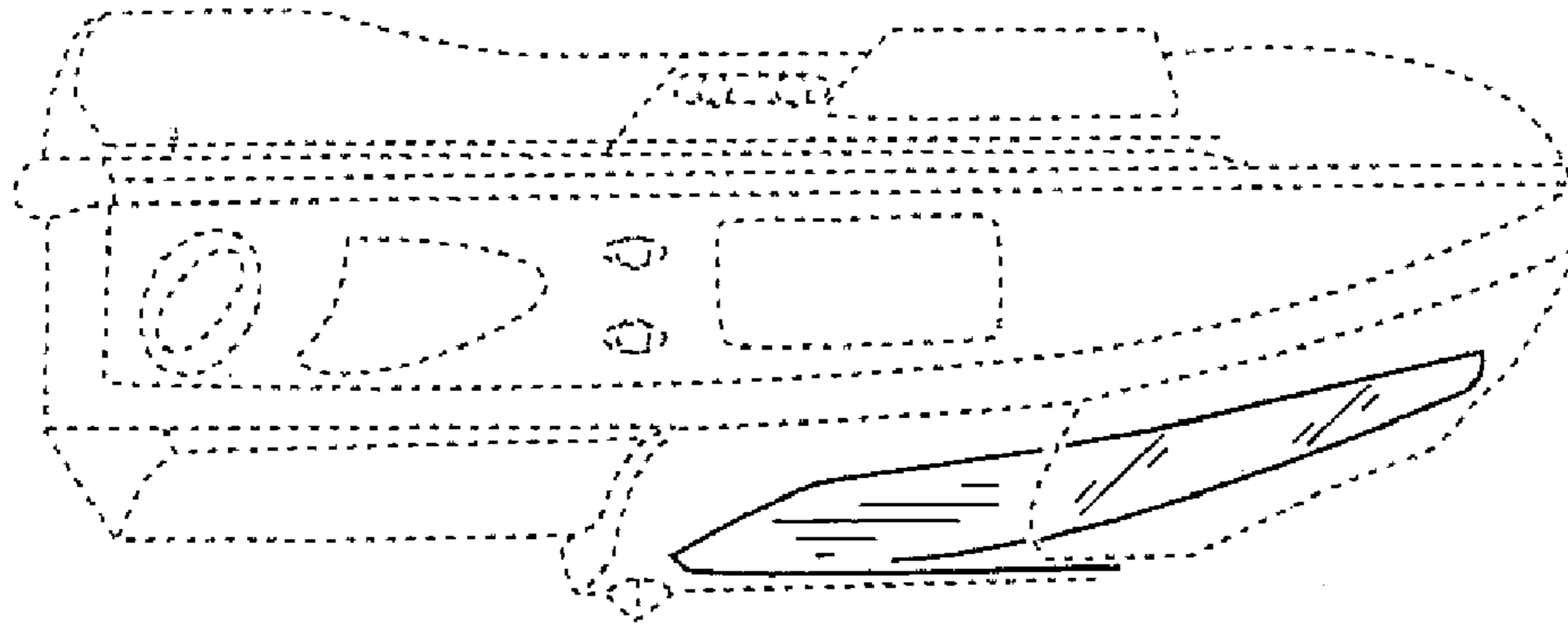


FIG. 3

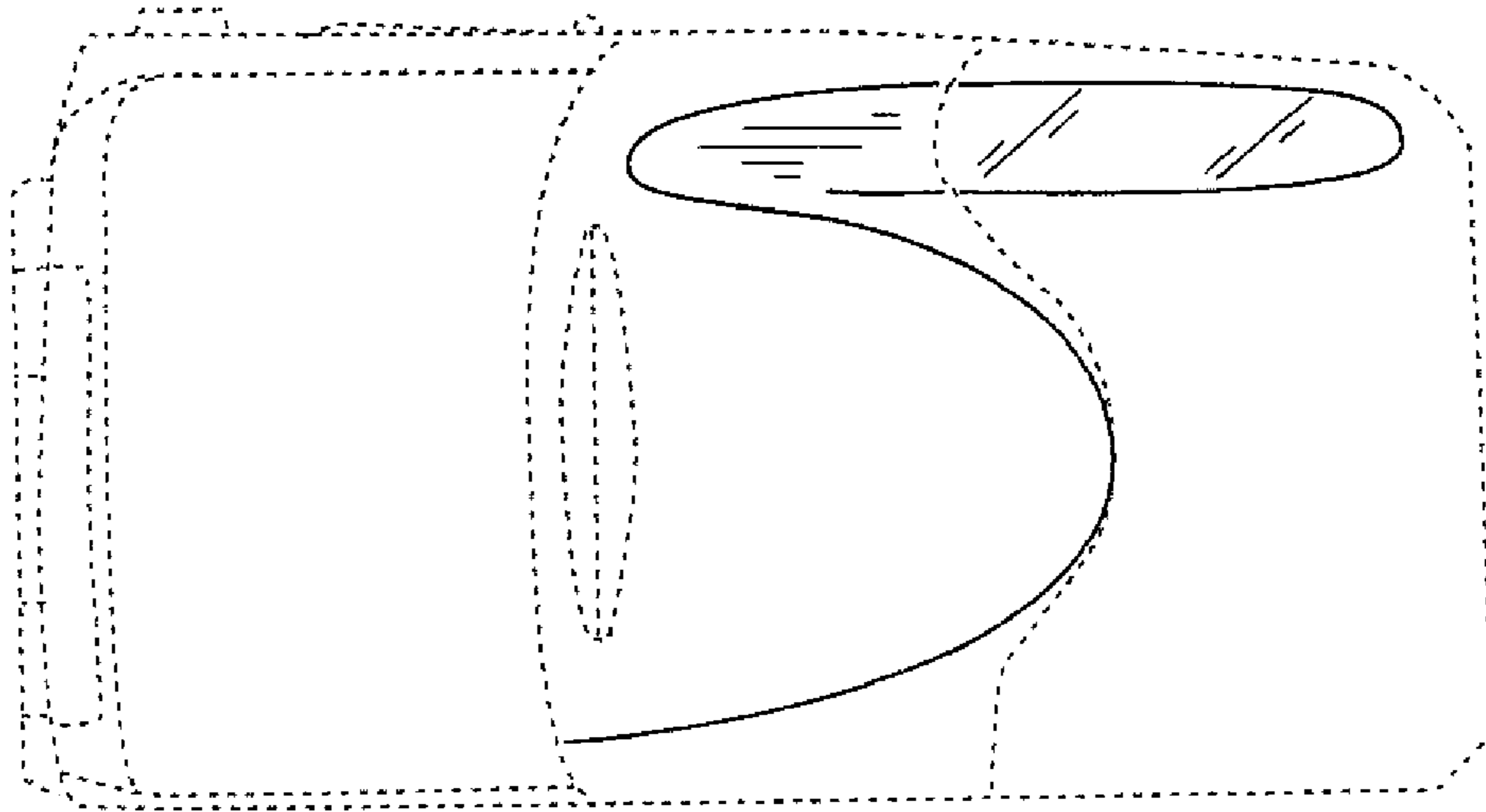


FIG. 4

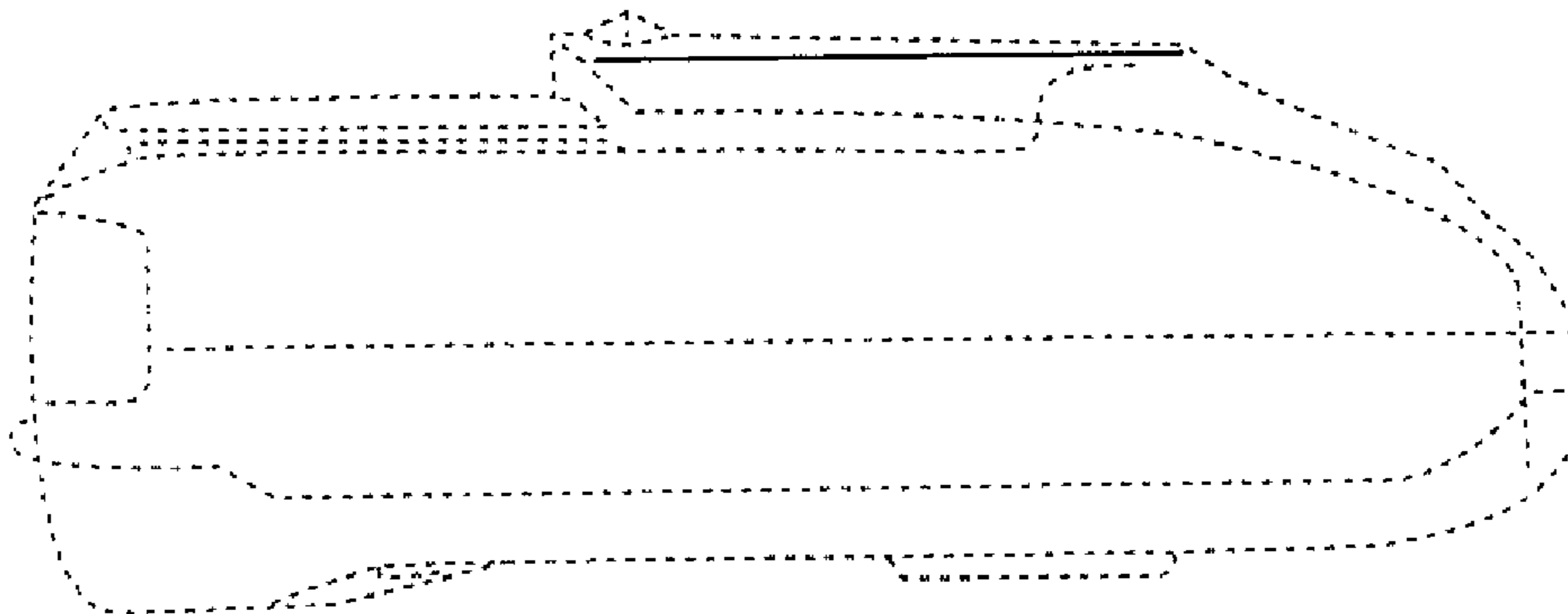


FIG. 5

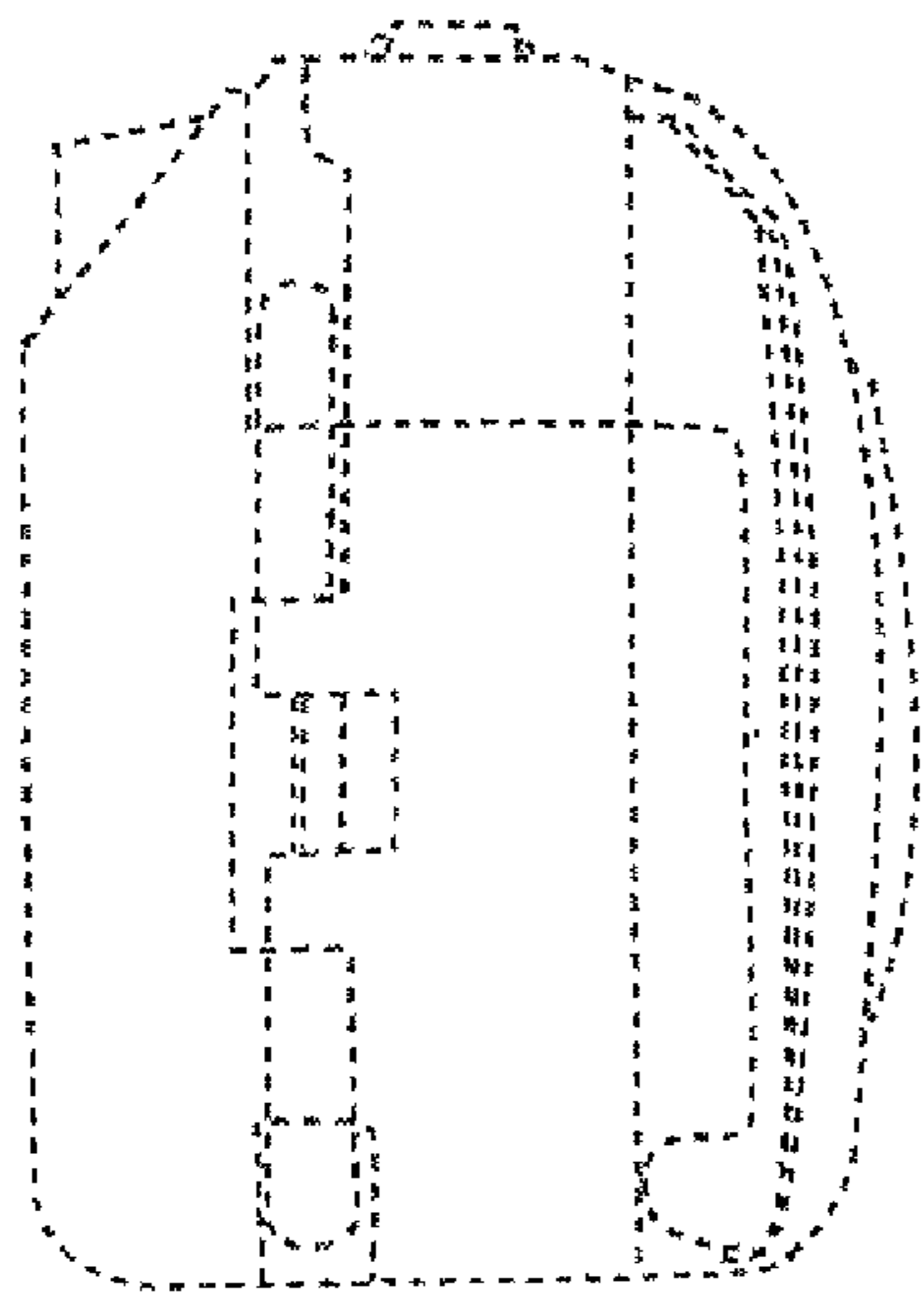


FIG. 6

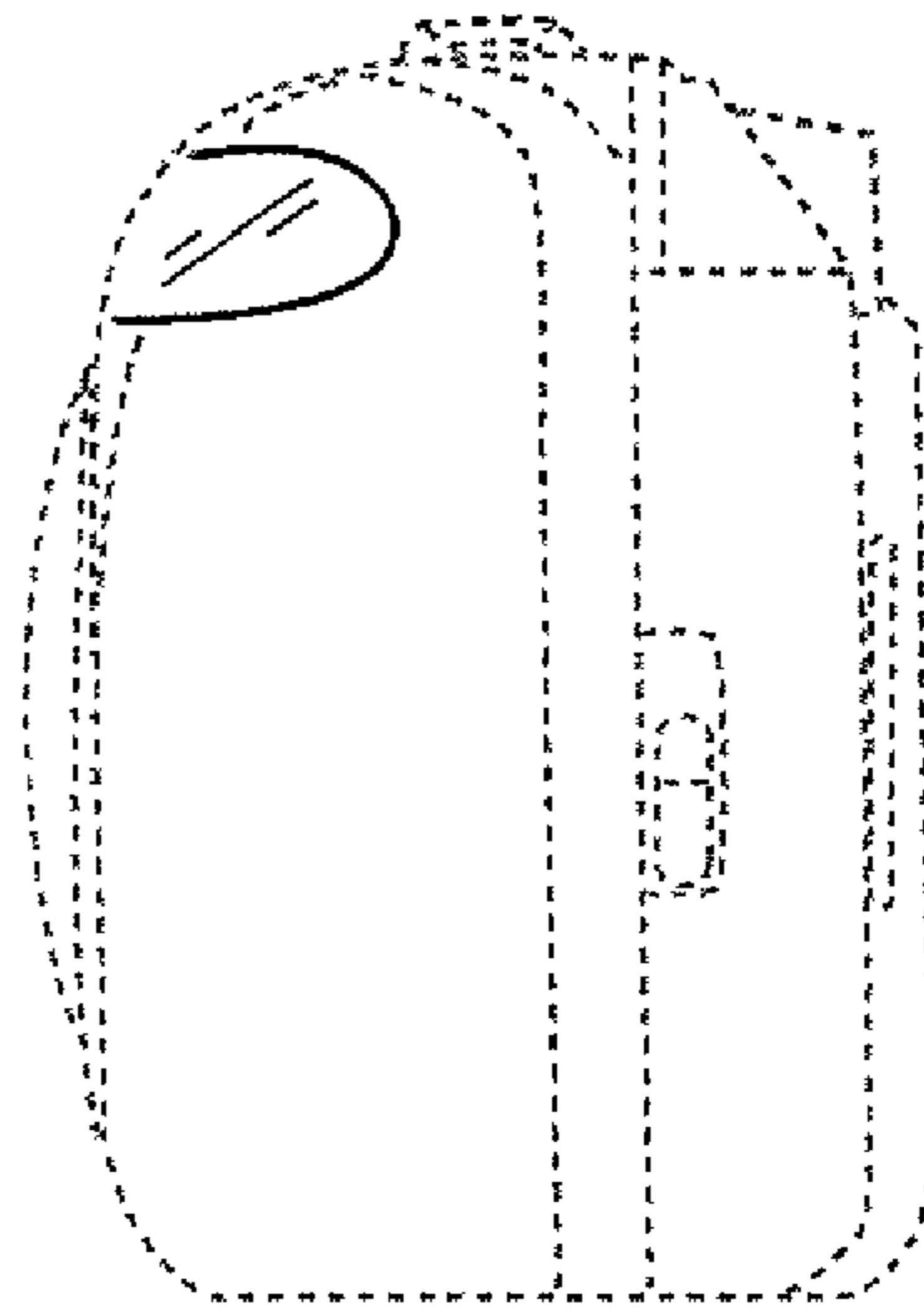


FIG. 7

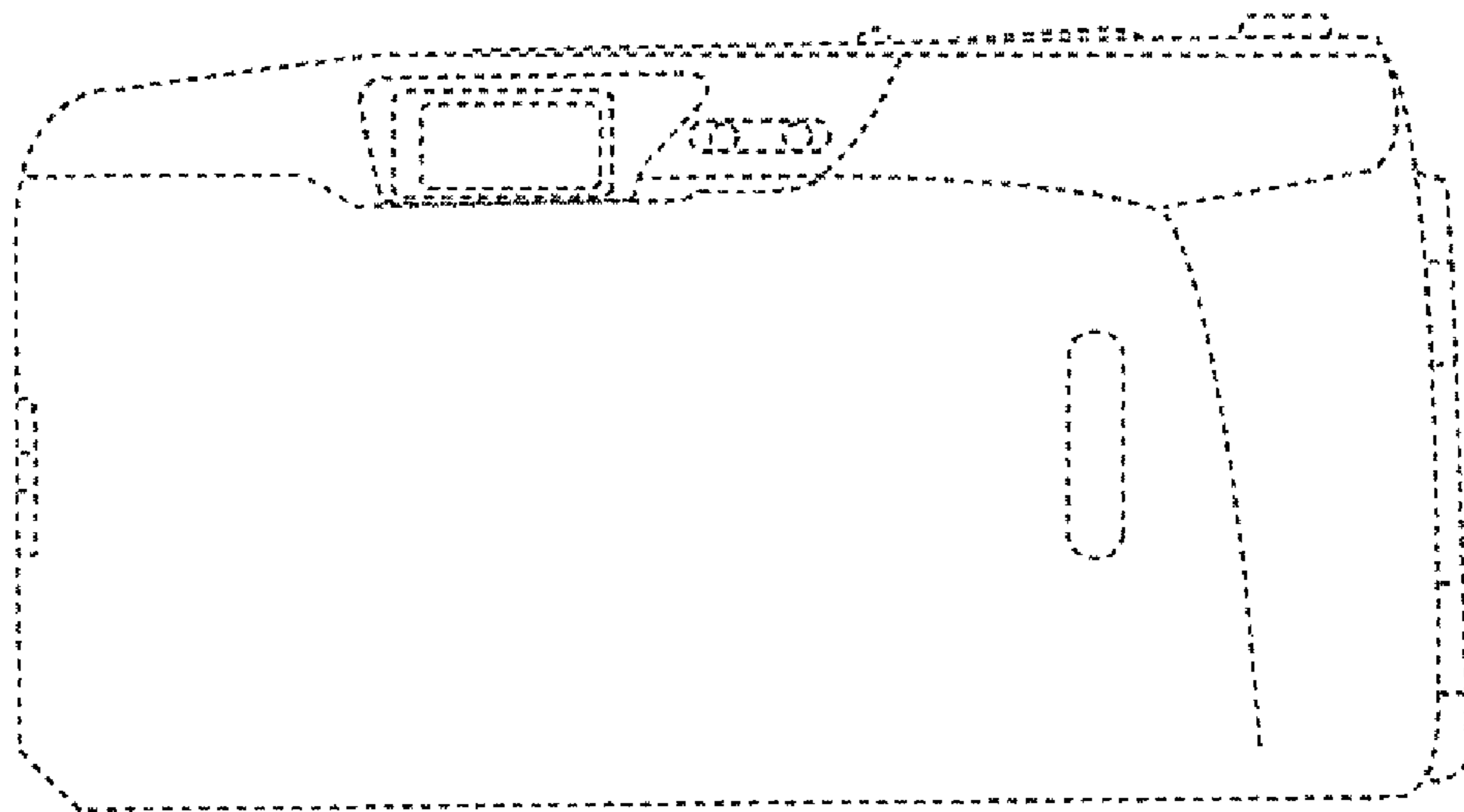


FIG. 8

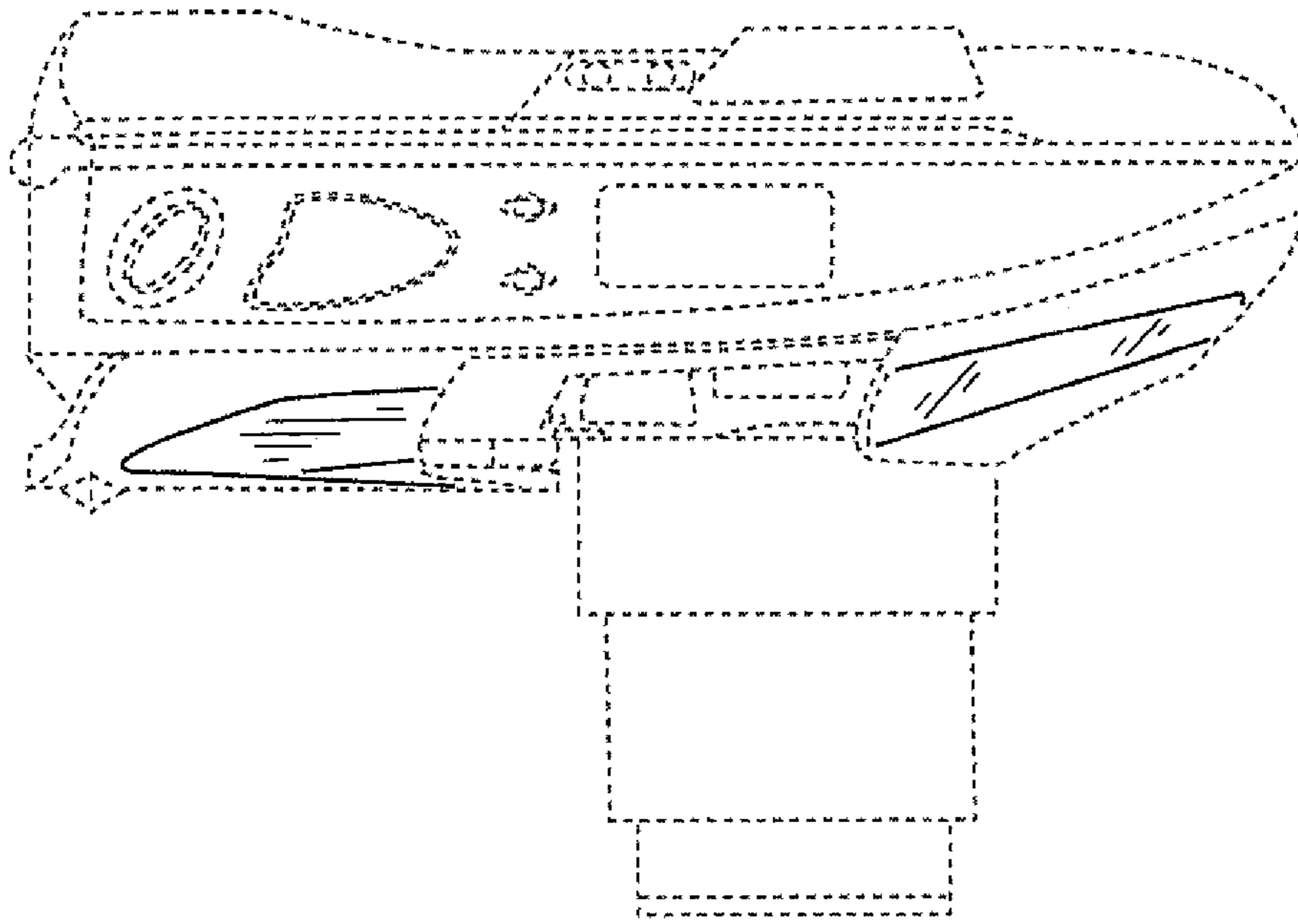


FIG. 9

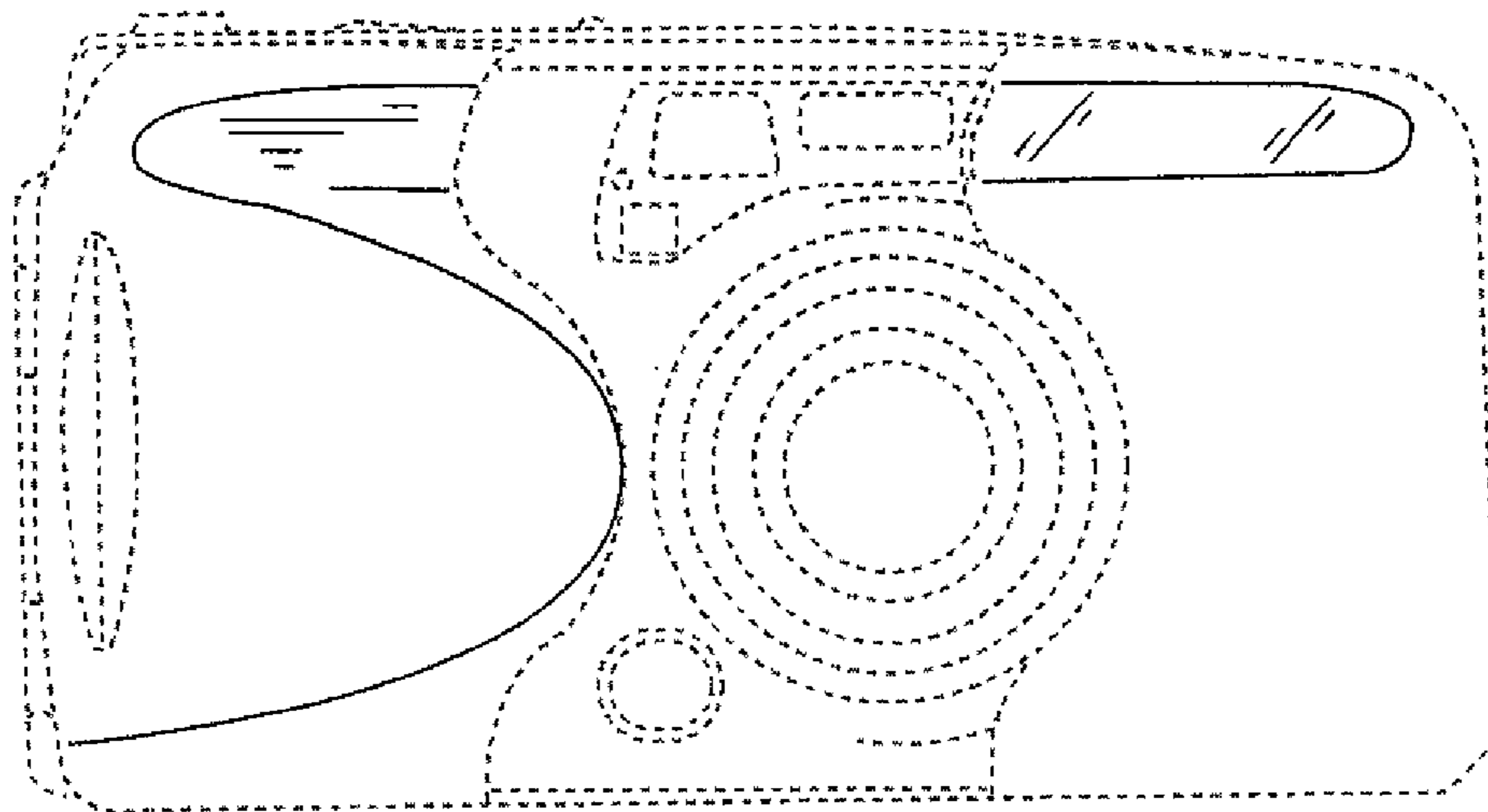


FIG. 10

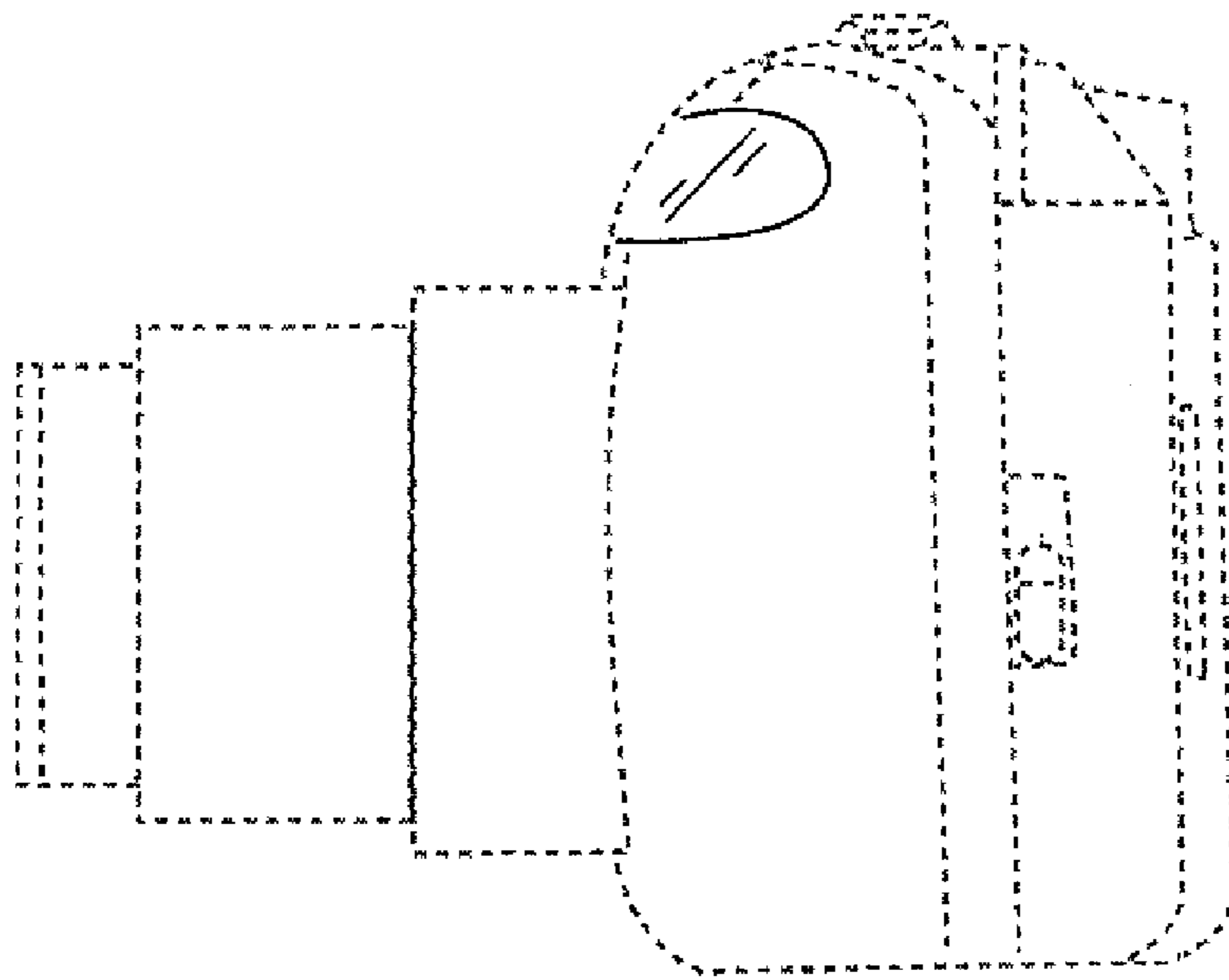


FIG. 11