

US00D546858S

(12) **United States Design Patent**
Takahashi

(10) **Patent No.:** **US D546,858 S**

(45) **Date of Patent:** **** Jul. 17, 2007**

(54) **VIDEO CAMERA WITH DIGITAL VIDEO
DISC PLAYER**

(75) Inventor: **Kosei Takahashi**, Kawasaki (JP)

(73) Assignee: **Canon Kabushiki Kaisha**, Tokyo (JP)

(**) Term: **14 Years**

(21) Appl. No.: **29/239,991**

(22) Filed: **Oct. 7, 2005**

(30) **Foreign Application Priority Data**

Jul. 11, 2005 (JP) 2005-020112

(51) **LOC (8) Cl.** **16-01**

(52) **U.S. Cl.** **D16/208**; D14/168; D16/202

(58) **Field of Classification Search** D14/156,
D14/168; D16/200-205, 208, 218; 348/373-376;
358/906, 909.1; 396/535-541

See application file for complete search history.

(56) **References Cited**

U.S. PATENT DOCUMENTS

D435,543 S * 12/2000 Nakamura D14/218
D481,702 S * 11/2003 Takagi D14/156
D491,967 S * 6/2004 Kojima et al. D16/202
D505,438 S * 5/2005 Kojima et al. D16/202

D515,123 S * 2/2006 Kojima et al. D16/202
D516,597 S * 3/2006 Tsuchiya D16/202
D518,021 S * 3/2006 Tanaka D14/168
D534,566 S * 1/2007 Ishii D16/208
2004/0223080 A1* 11/2004 Kim 348/375
2005/0062880 A1* 3/2005 Kojima et al. 348/373

* cited by examiner

Primary Examiner—Adir Aronovich

(74) *Attorney, Agent, or Firm*—Fitzpatrick, Cella, Harper & Scinto

(57) **CLAIM**

The ornamental design for a video camera with digital video disc player, as shown and described.

DESCRIPTION

FIG. 1 is a front view of a video camera with digital video disc player showing my new design;

FIG. 2 is a rear view thereof;

FIG. 3 is a top plan view thereof;

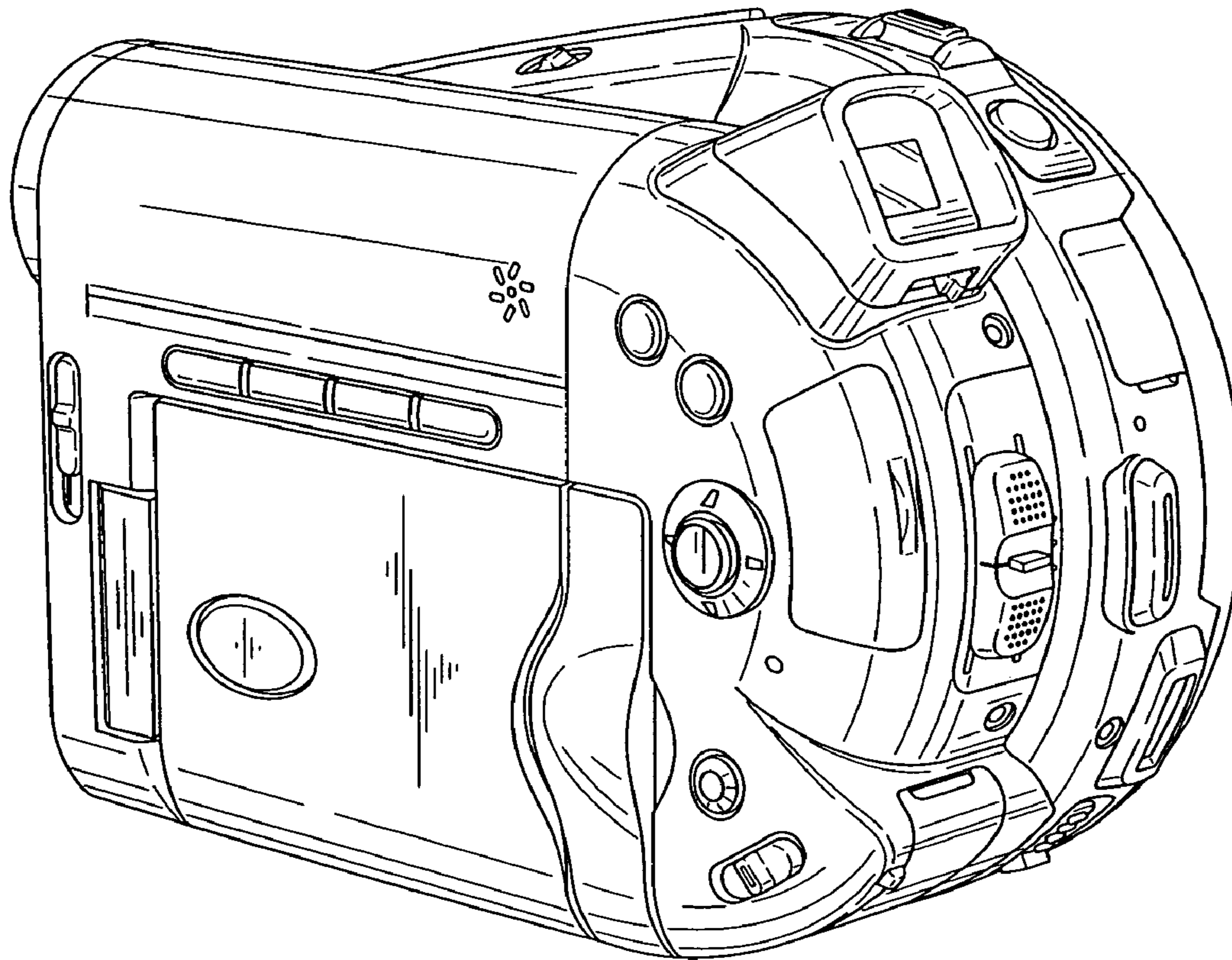
FIG. 4 is a bottom plan view thereof;

FIG. 5 is a left side view thereof;

FIG. 6 is a right side view thereof; and,

FIG. 7 is a perspective view thereof.

1 Claim, 5 Drawing Sheets



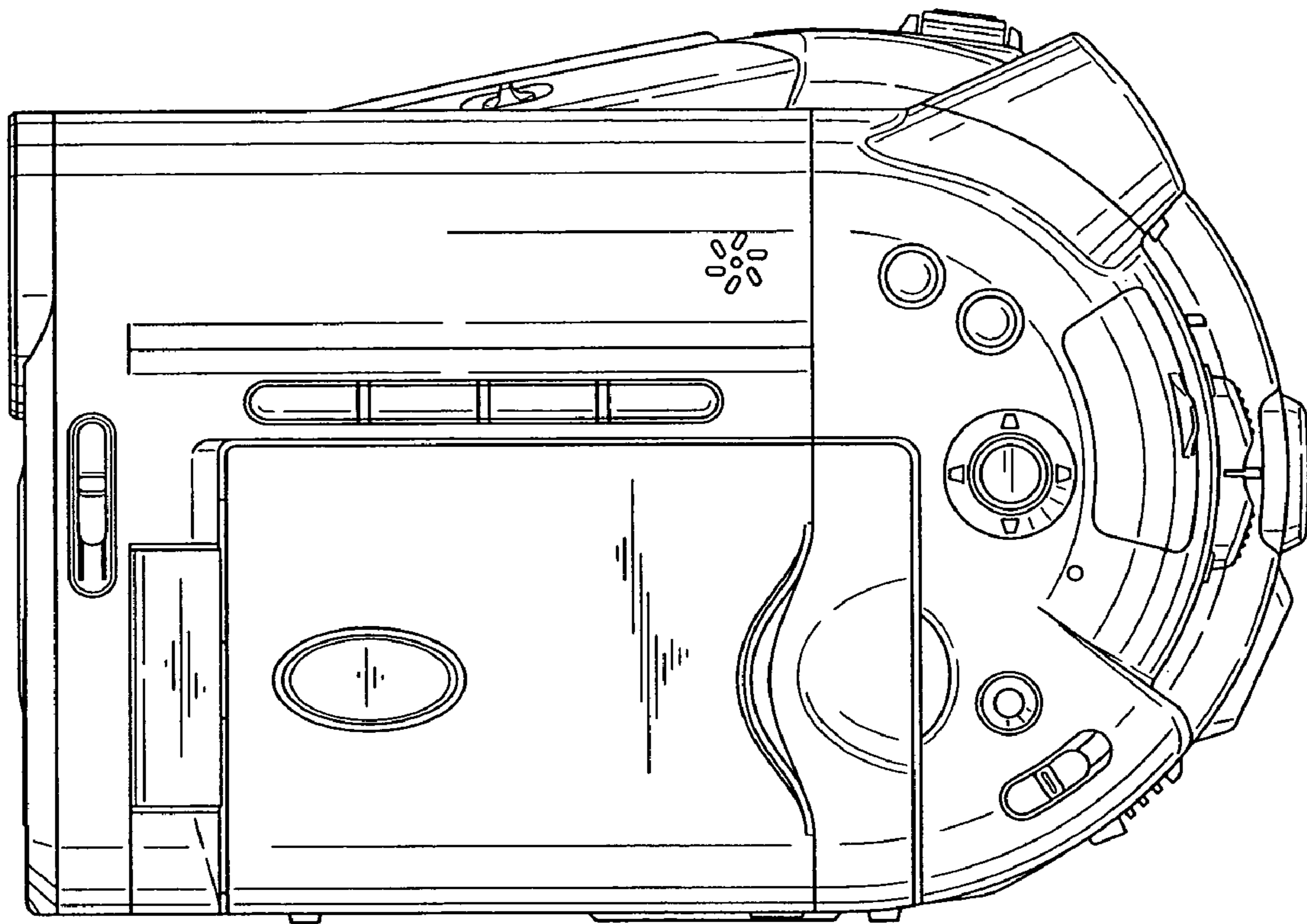


FIG. 1

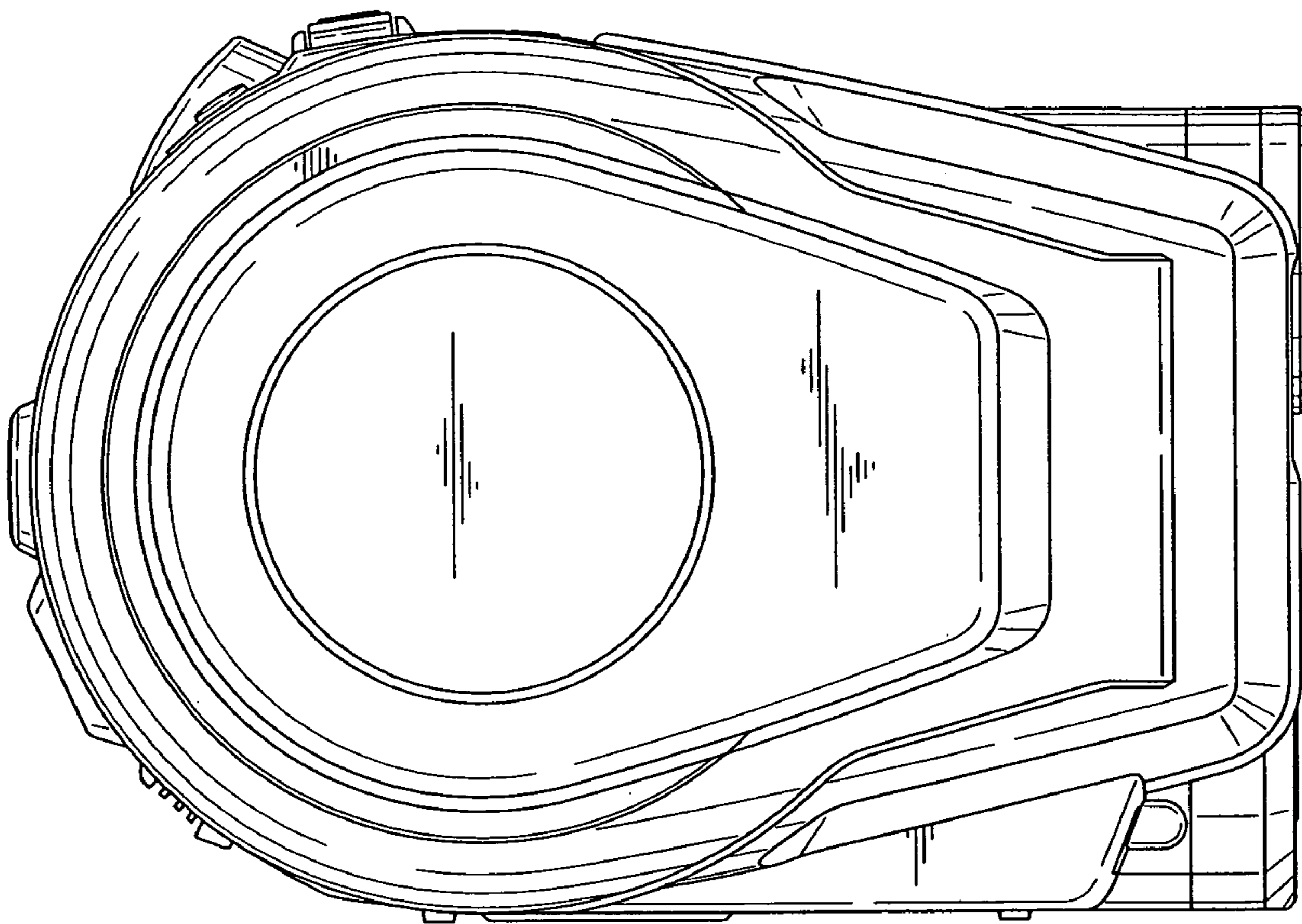


FIG. 2

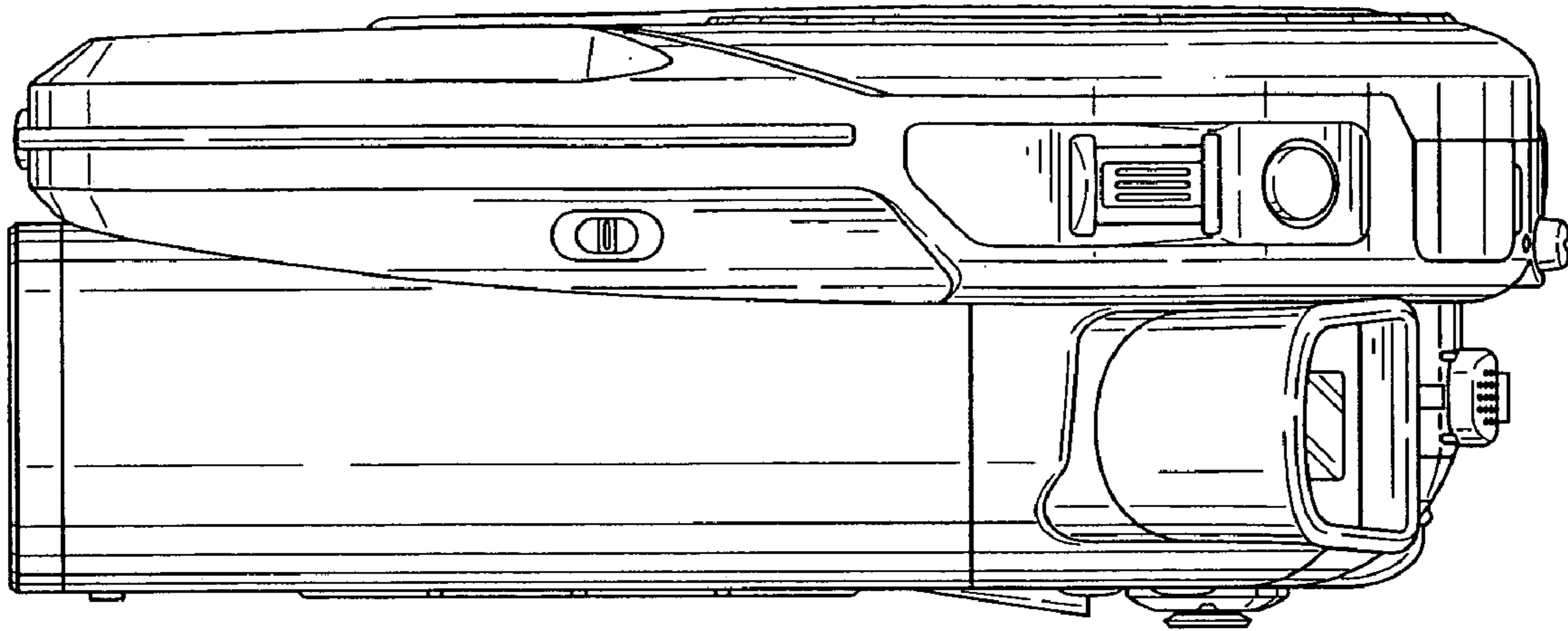


FIG. 3

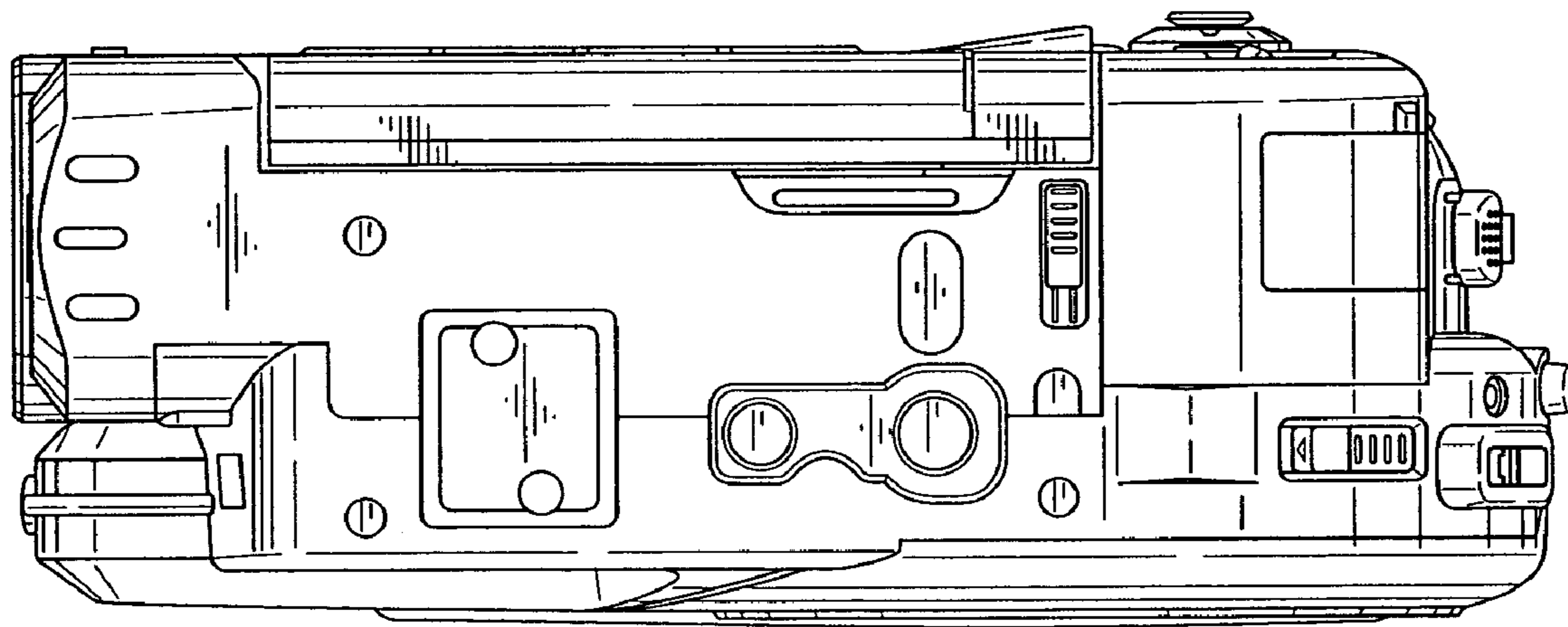


FIG. 4

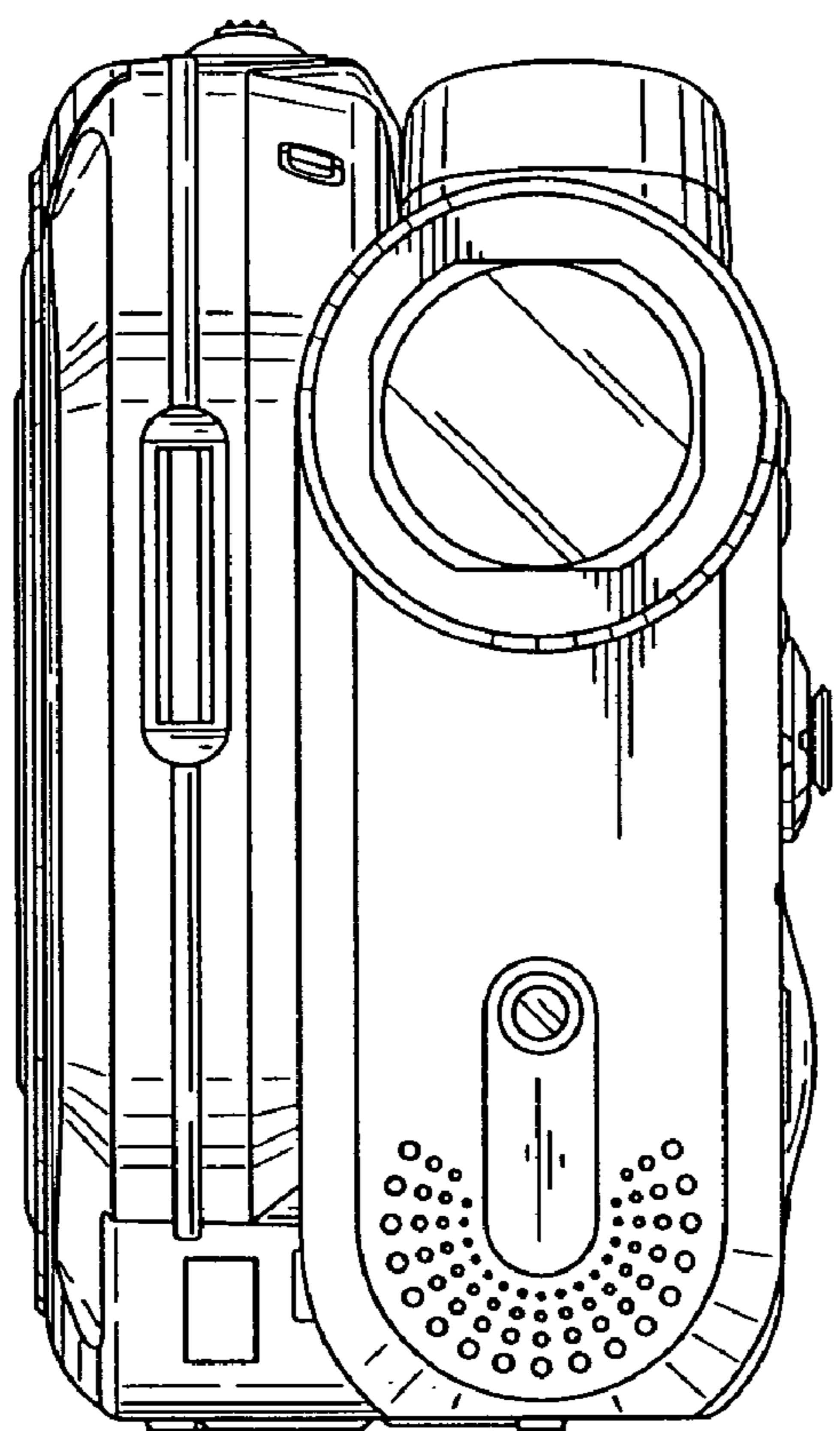


FIG. 5

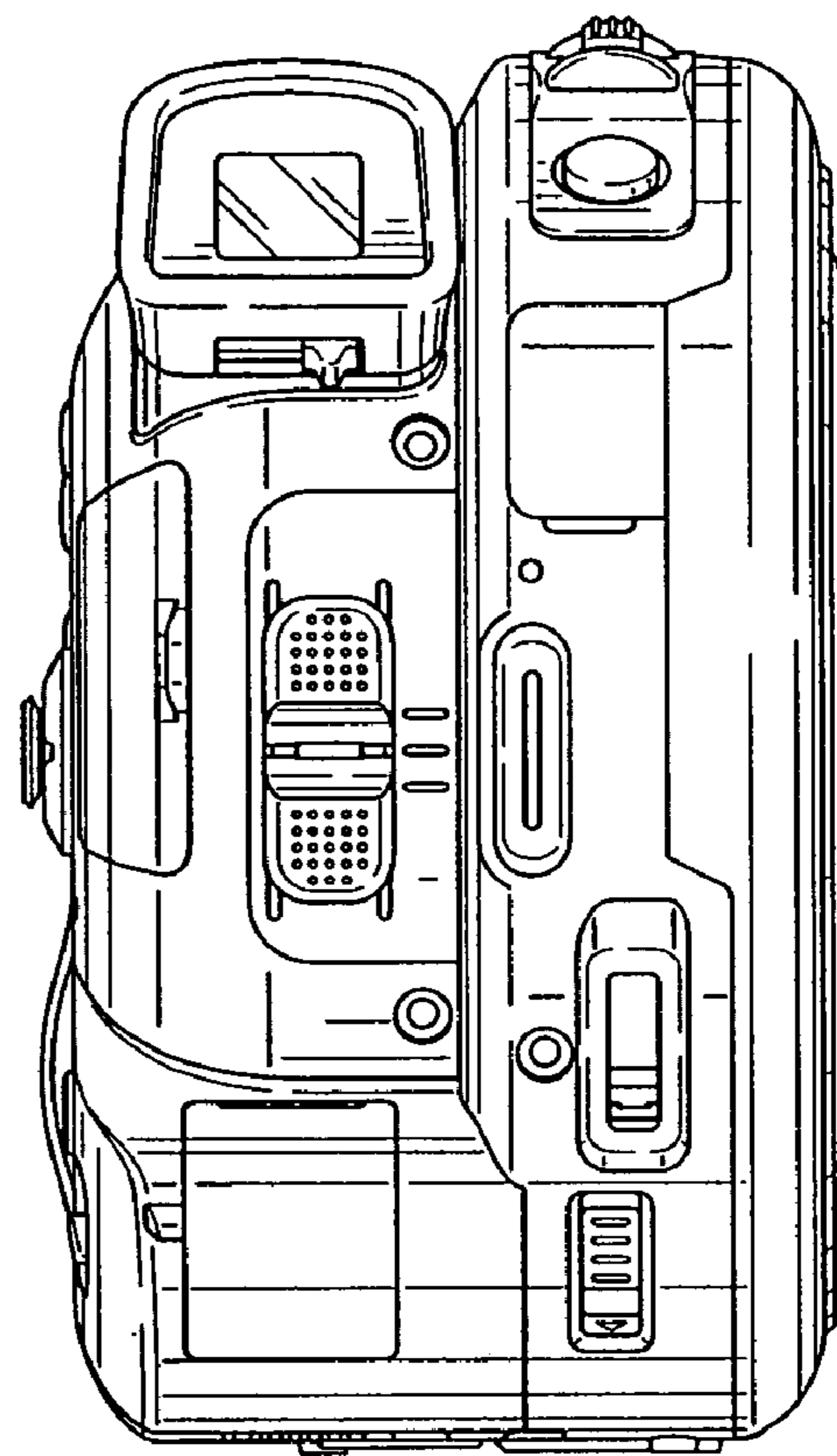


FIG. 6

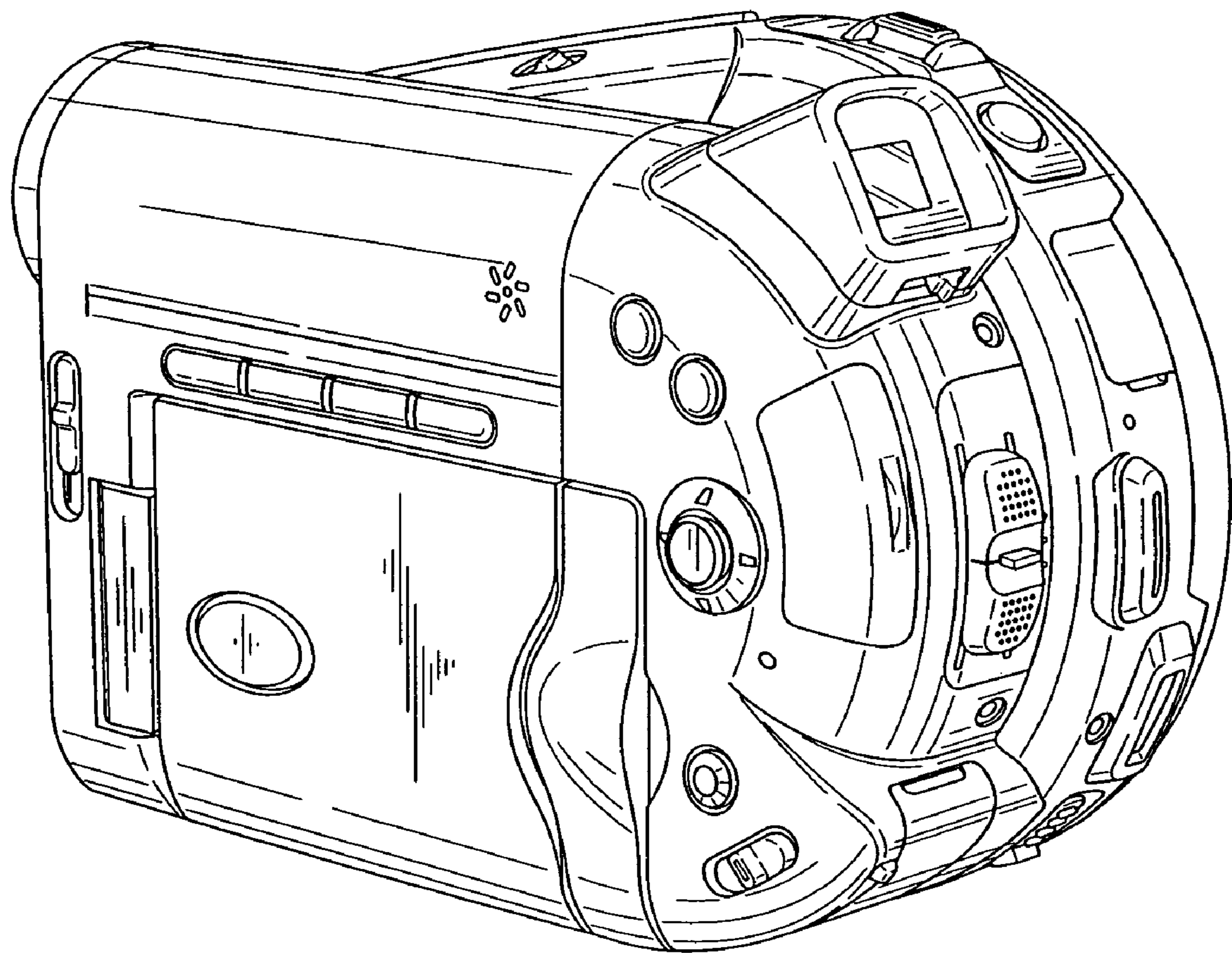


FIG. 7