

US00D546857S

(12) **United States Design Patent**
Nishiwaki et al.

(10) **Patent No.:** **US D546,857 S**
(45) **Date of Patent:** **** Jul. 17, 2007**

(54) **VIDEO CAMERA WITH VIDEO TAPE RECORDER**

(75) Inventors: **Kenji Nishiwaki**, Ehime (JP);
Shigetada Ninomiya, Ehime (JP)

(73) Assignee: **Matsushita Electric Industrial Co., Ltd.**, Osaka (JP)

(**) Term: **14 Years**

(21) Appl. No.: **29/253,452**

(22) Filed: **Feb. 6, 2006**

(30) **Foreign Application Priority Data**

Oct. 28, 2005 (JP) 2005-031659

(51) **LOC (8) Cl.** **16-01**

(52) **U.S. Cl.** **D16/202**

(58) **Field of Classification Search** D16/200–205,
D16/208, 218; 348/373–376; 358/906;
396/535–541

See application file for complete search history.

(56) **References Cited**

U.S. PATENT DOCUMENTS

D394,075 S	5/1998	Ninomiya et al.	
D406,157 S	2/1999	Goto	
D408,042 S	4/1999	Onoda et al.	
D408,043 S	4/1999	Goto et al.	
D408,428 S	4/1999	Ninomiya et al.	
D410,017 S	5/1999	Goto et al.	
D413,910 S	9/1999	Onoda et al.	
D413,911 S	9/1999	Goto et al.	
D418,852 S	1/2000	Onoda et al.	
D419,169 S	1/2000	Masano	
D469,793 S	2/2003	Onoda et al.	
D469,794 S	2/2003	Onoda et al.	
D490,456 S	5/2004	Masano et al.	
D491,967 S *	6/2004	Kojima et al.	D16/202
D496,061 S *	9/2004	Hayashi	D16/208

D500,512 S *	1/2005	Hayashi	D16/208
D505,438 S *	5/2005	Kojima et al.	D16/202
D507,290 S	7/2005	Nishiwaki	
D515,123 S *	2/2006	Kojima et al.	D16/202
D516,597 S *	3/2006	Tsuchiya	D16/202
D517,107 S *	3/2006	Kojima et al.	D16/202
2005/0062880 A1 *	3/2005	Kojima et al.	348/373
2005/0140823 A1 *	6/2005	Ishikuro	348/375

FOREIGN PATENT DOCUMENTS

JP	D1098408	1/2001
JP	D1148210	7/2002
JP	D1149265	8/2002
JP	D1182522	8/2003
JP	D1182523	8/2003
JP	D1182530	8/2003

(Continued)

Primary Examiner—Adir Aronovich

(74) *Attorney, Agent, or Firm*—Brinks Hofer Gilson & Lione

(57) **CLAIM**

We claim the ornamental design for a video camera with video tape recorder, as shown and described.

DESCRIPTION

FIG. 1 is a front, top and right side perspective view of a video camera with video tape recorder of the present invention;

FIG. 2 is a rear, top and left side perspective view thereof;

FIG. 3 is a front view thereof;

FIG. 4 is a right side view thereof;

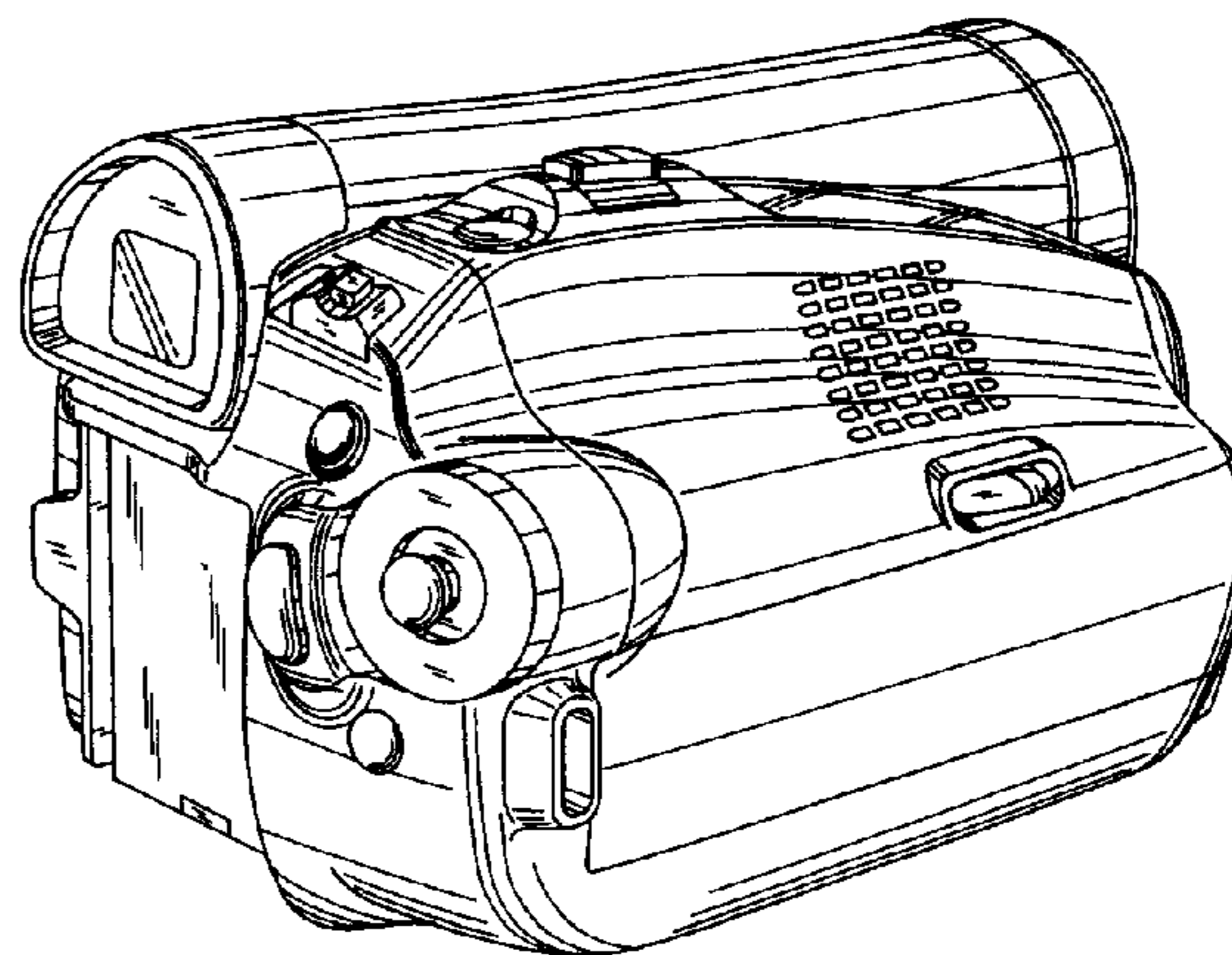
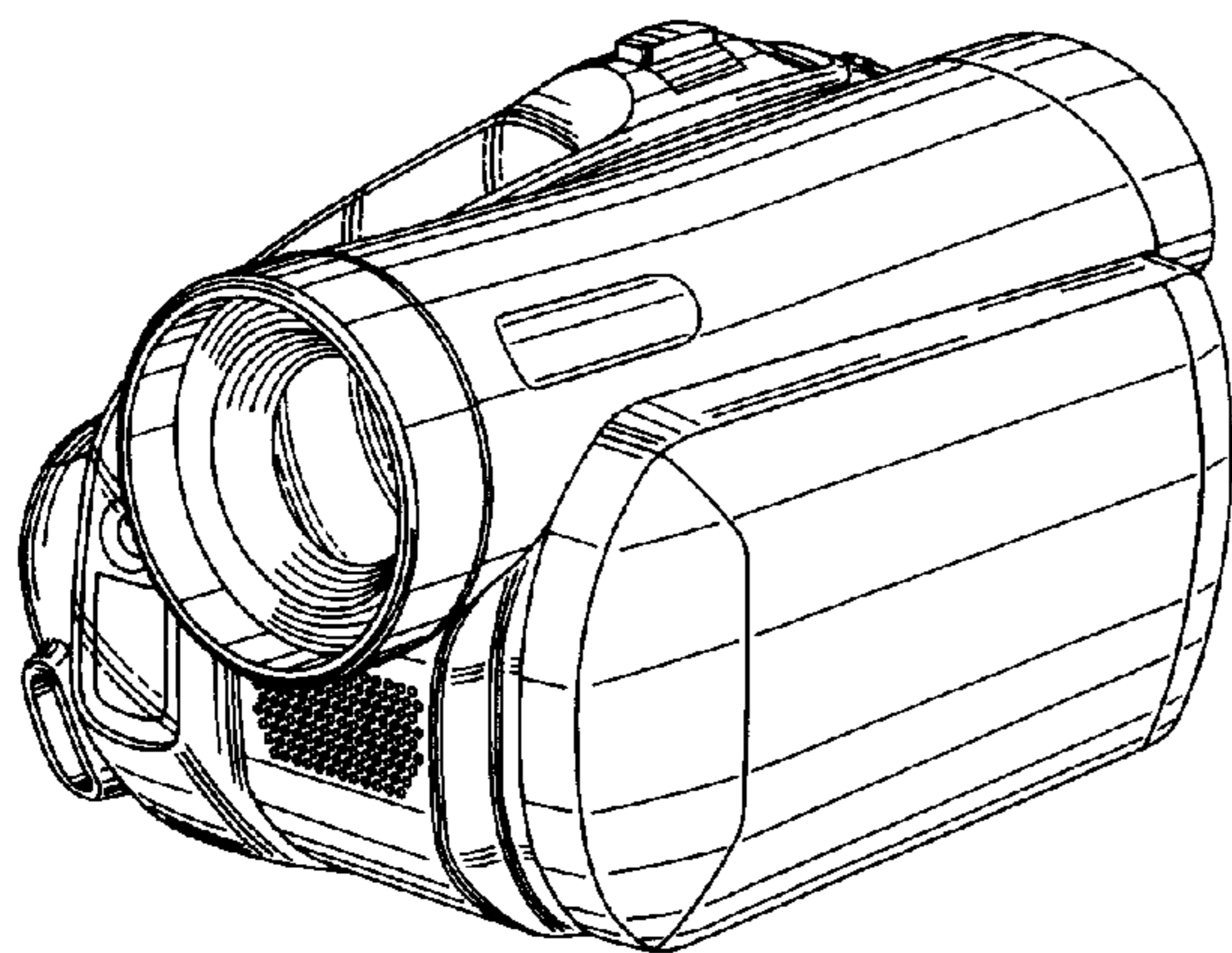
FIG. 5 is a rear view thereof;

FIG. 6 is a left side view thereof.

FIG. 7 is a top view thereof; and,

FIG. 8 is a bottom view thereof.

1 Claim, 4 Drawing Sheets



US D546,857 S

Page 2

FOREIGN PATENT DOCUMENTS					
			JP	D1214069	8/2004
			JP	D1214081	8/2004
			JP	D1222710	11/2004
			JP	D1249190	8/2005
			JP	D1249202	8/2005
JP	D1182689	8/2003			
JP	D1192950	12/2003			
JP	D1196437	2/2004			
JP	D1214067	8/2004			
JP	D1214068	8/2004			

* cited by examiner

Fig. 1

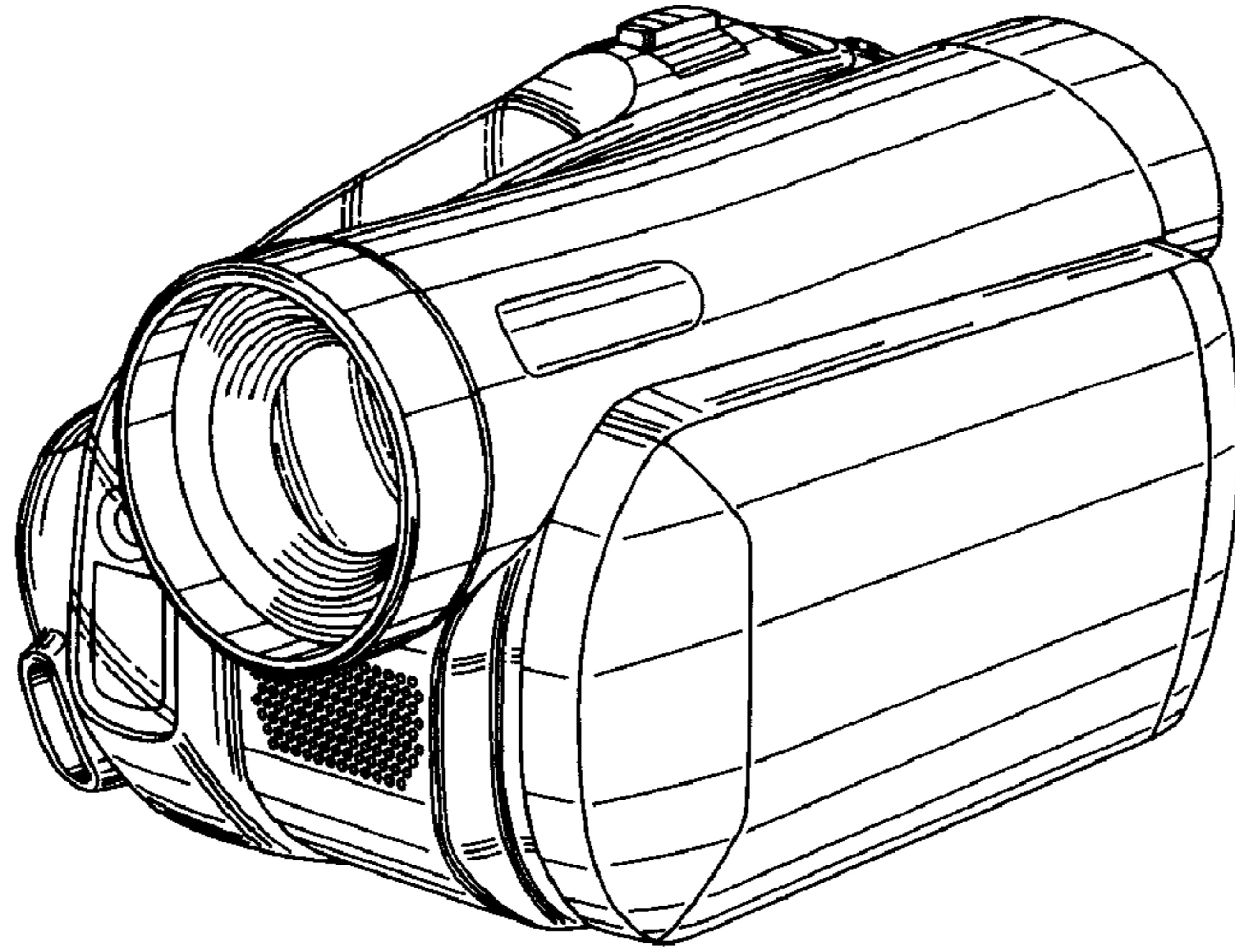


Fig. 2

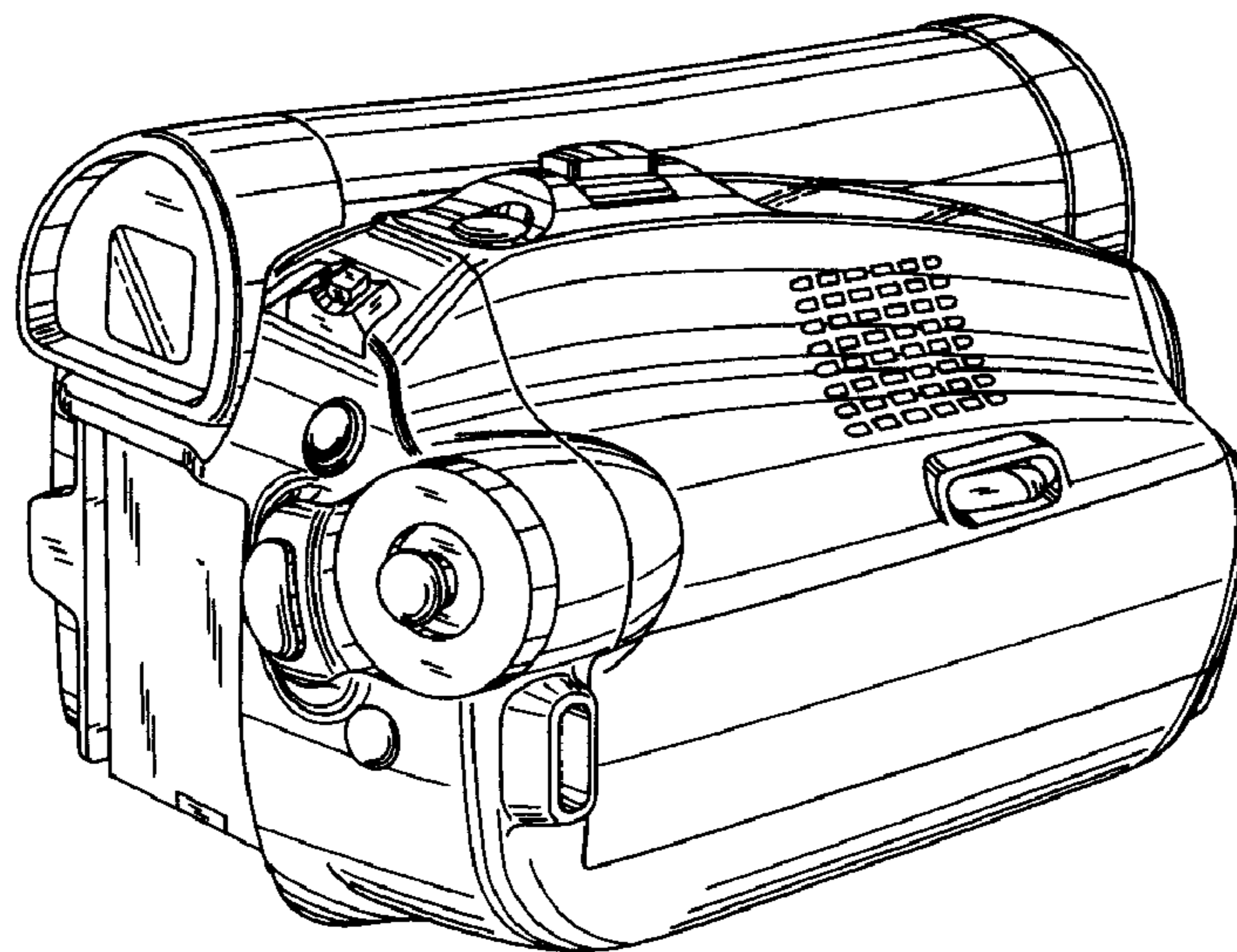


Fig.3

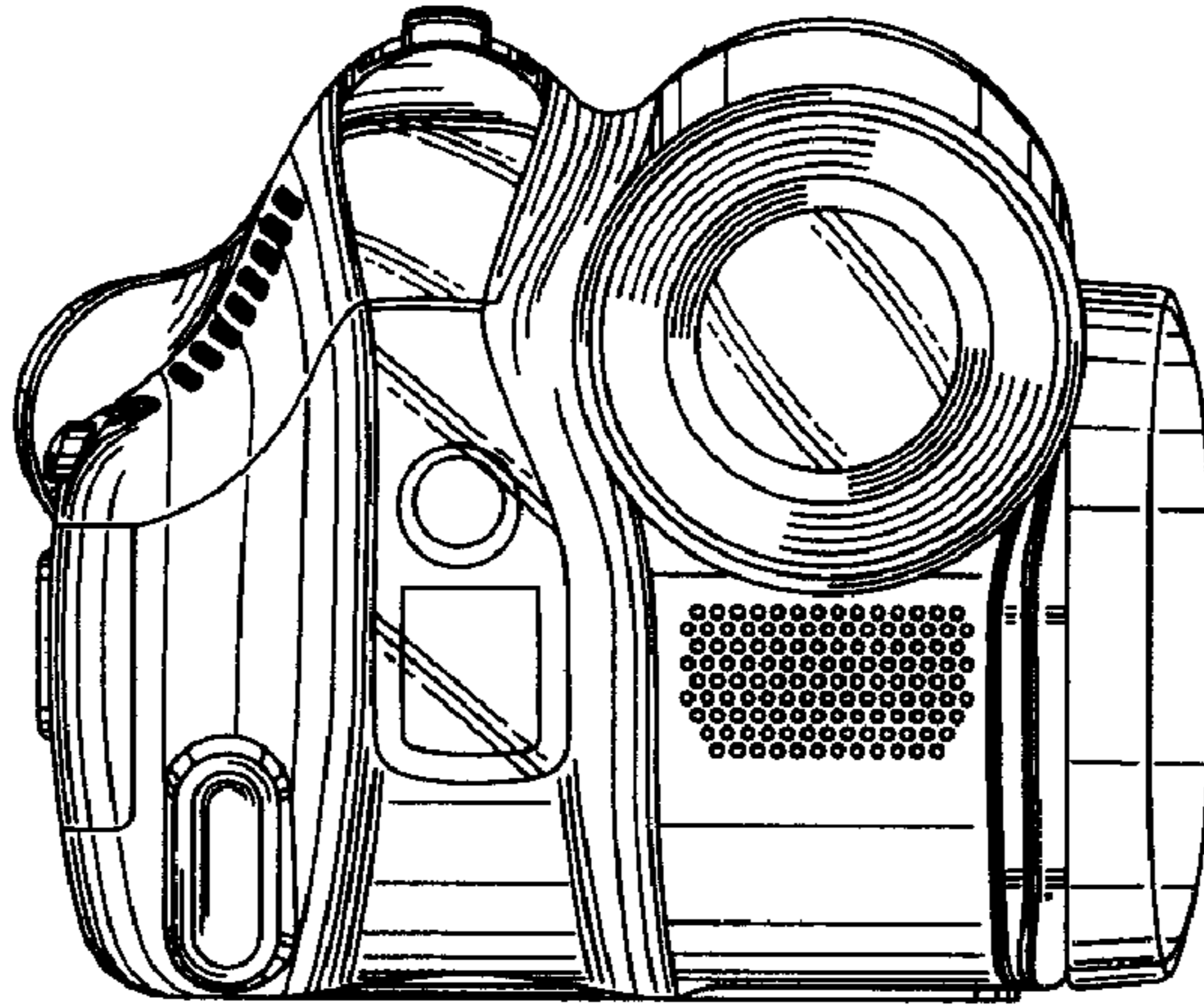


Fig.4

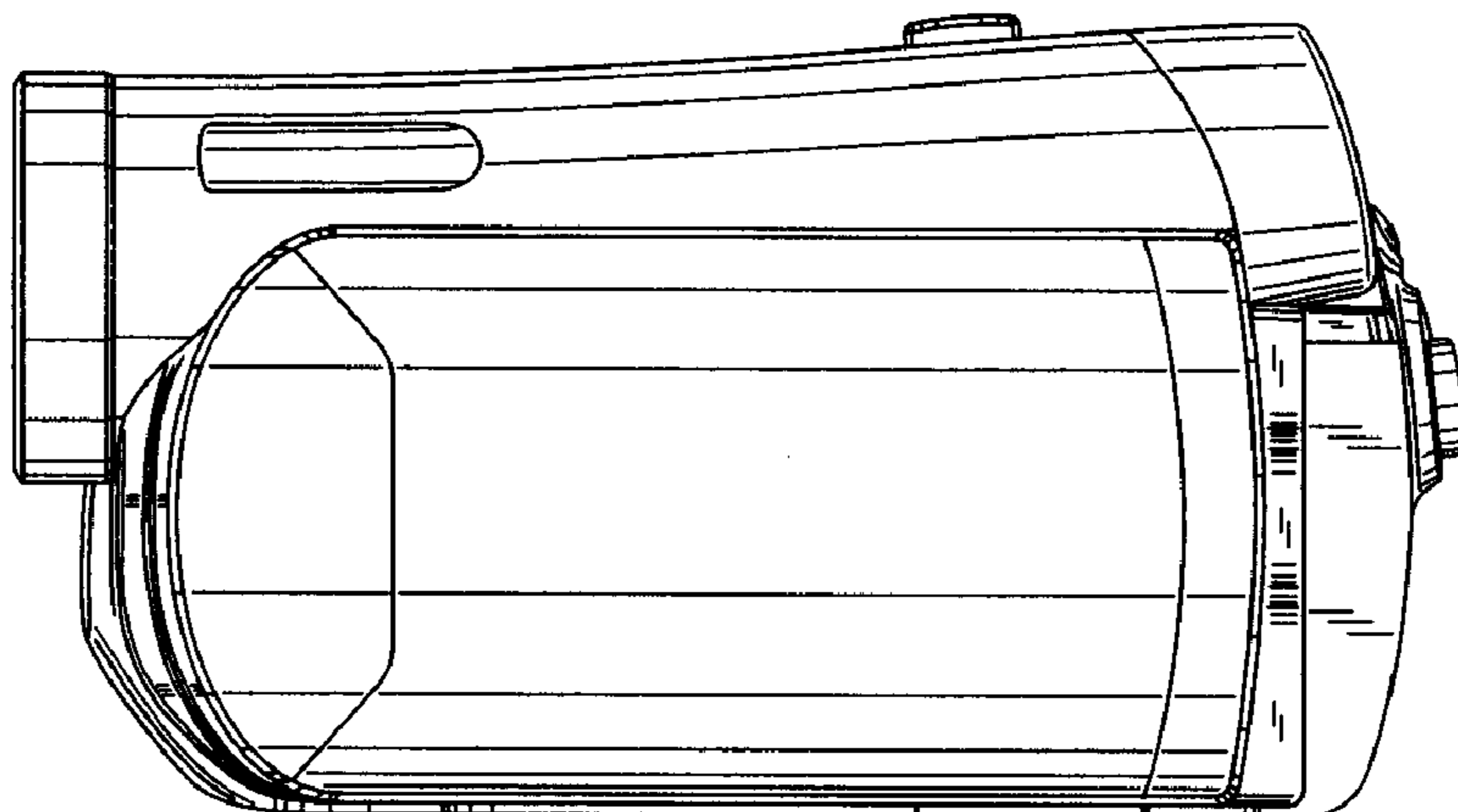


Fig.5

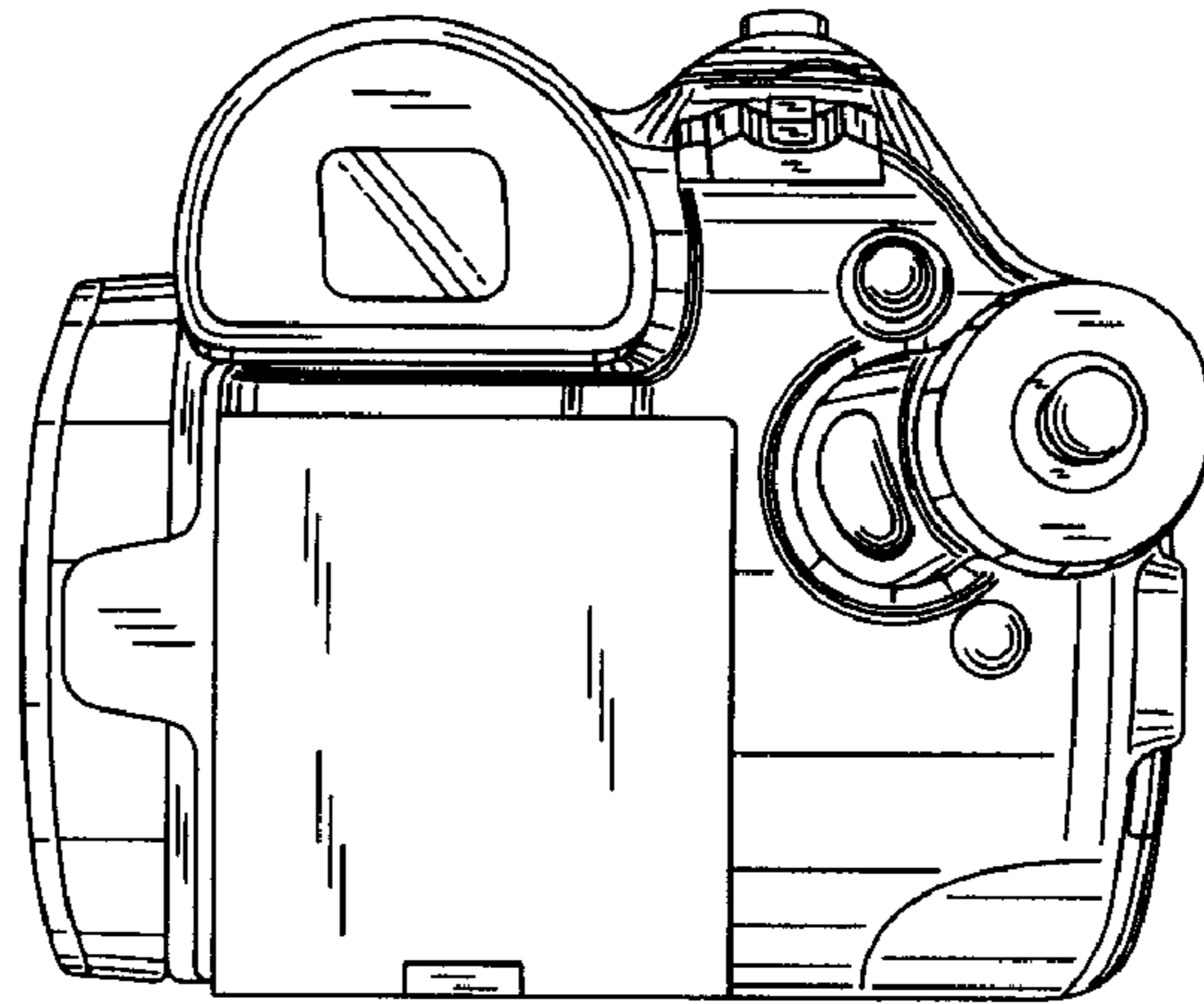


Fig.6

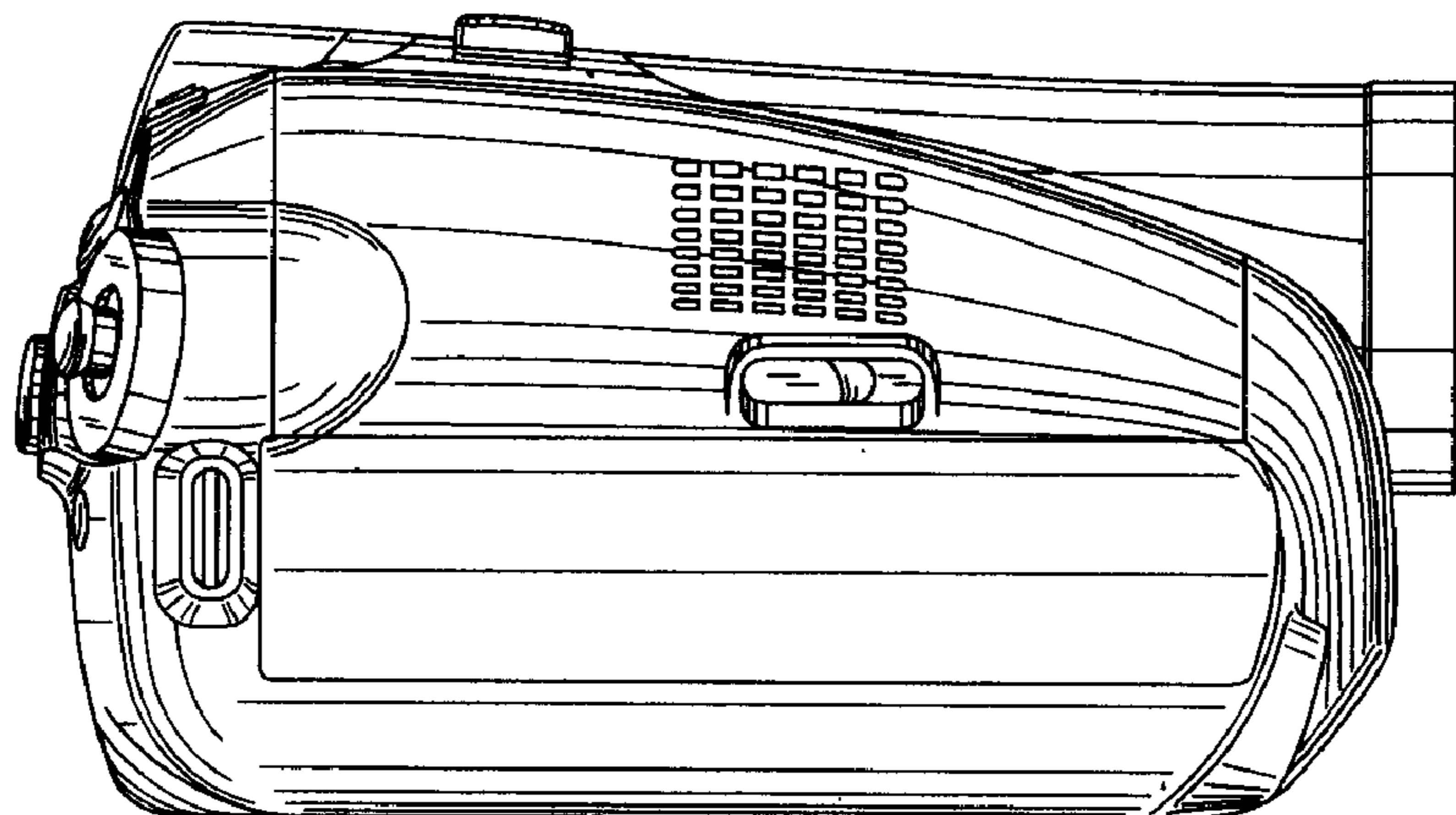


Fig7

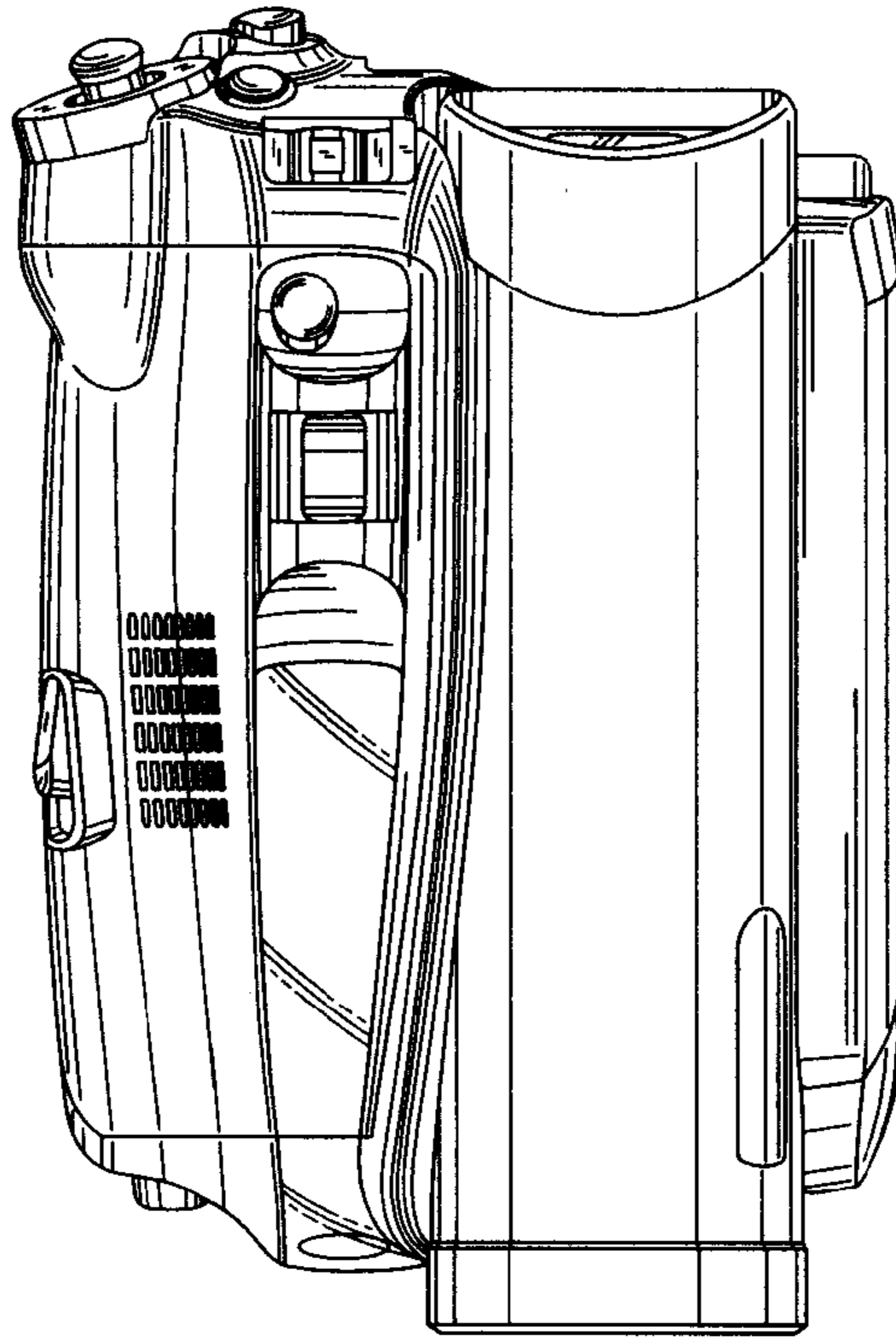


Fig8

