



US00D546851S

(12) **United States Design Patent**
Riney et al.

(10) **Patent No.:** **US D546,851 S**
(45) **Date of Patent:** **** Jul. 17, 2007**

(54) **HYDRAULIC SEAL WITH A PIVOTING ARM**

D526,189 S 8/2006 Haymond
2004/0140628 A1 7/2004 Haymond
2006/0213434 A1* 9/2006 Ganzer et al. 118/300

(75) Inventors: **John M. Riney**, Buford, GA (US);
Paul S. Frates, Lawrenceville, GA
(US)

FOREIGN PATENT DOCUMENTS

(73) Assignee: **Nordson Corporation**, Westlake, OH
(US)

DE G 87 09 044.9 6/1987
DE G 94 05 600.5 4/1994

(**) Term: **14 Years**

OTHER PUBLICATIONS

(21) Appl. No.: **29/243,336**

VanSco Products, *35 31 Series Miniature Applicators*, Brochure,
undated, 14 pgs.

(22) Filed: **Nov. 22, 2005**

Burkert, *3 way Pivoted Armature Valves*, undated 1 pg.

* cited by examiner

Related U.S. Application Data

(63) Continuation-in-part of application No. 29/233,175,
filed on Jun. 29, 2005, and a continuation-in-part of
application No. 10/907,514, filed on Apr. 4, 2005.

Primary Examiner—Antoine D. Davis

Assistant Examiner—Patricia Palasik

(74) *Attorney, Agent, or Firm*—Raymond J. Slattery, III

(51) **LOC (8) Cl.** **15-09**

(52) **U.S. Cl.** **D15/144**

(58) **Field of Classification Search** D15/144,
D15/144.1, 144.2; 118/300; 222/48, 223,
222/247, 334, 337, 350, 364, 501, 502, 517,
222/532, 556

See application file for complete search history.

(57) **CLAIM**

The ornamental design for a hydraulic seal with a pivoting
arm, as shown and described.

(56) **References Cited**

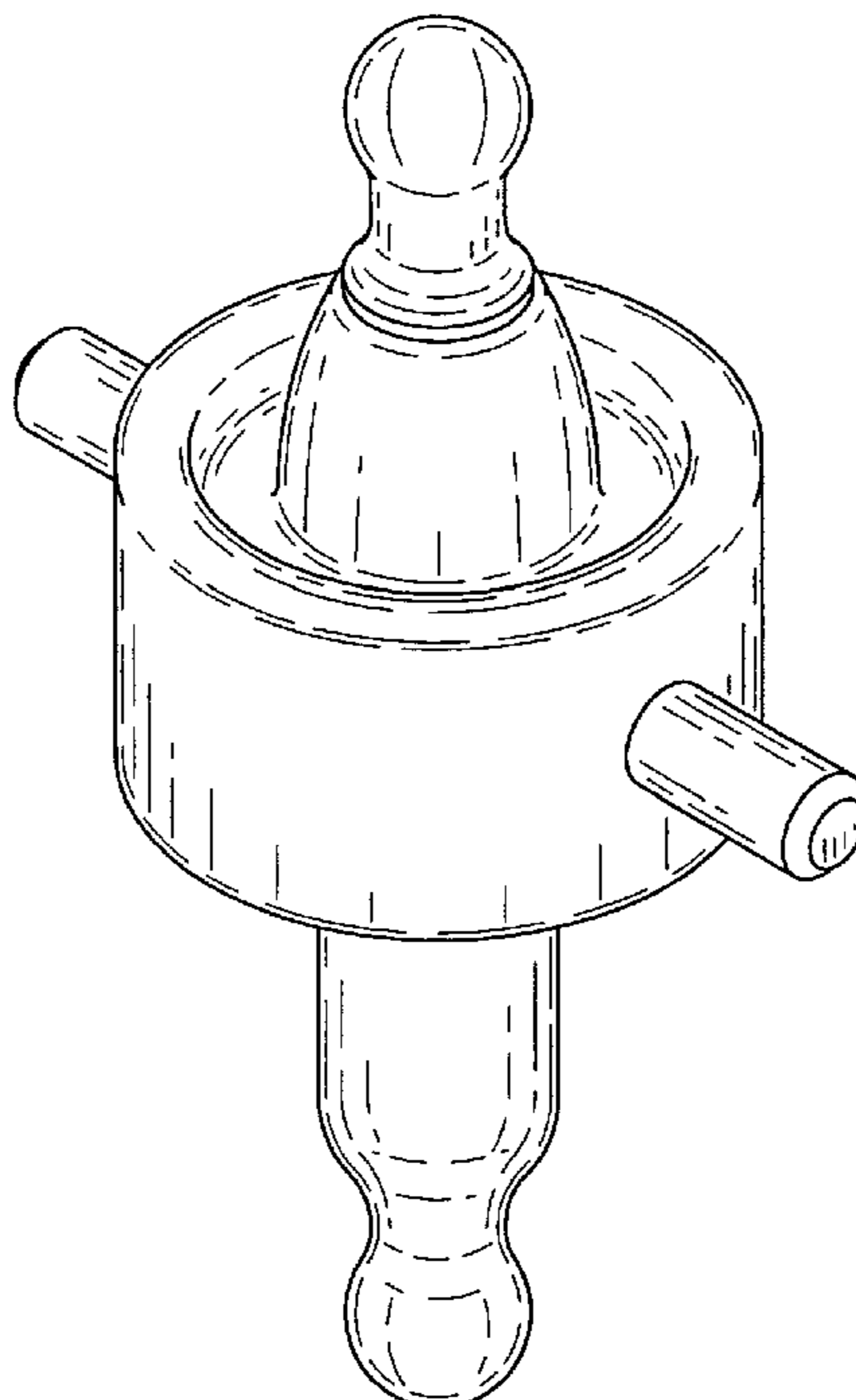
U.S. PATENT DOCUMENTS

D354,296 S * 1/1995 Walsh D15/144.2
5,730,359 A 3/1998 Wurth 239/66
6,032,832 A 3/2000 Dority et al. 222/214
D433,692 S * 11/2000 Fort et al. D15/144.1
D473,883 S * 4/2003 Huey et al. D15/144.2
D474,788 S * 5/2003 Molnar et al. D15/144

DESCRIPTION

FIG. 1 is a perspective view of a hydraulic seal;
FIG. 2 is a bottom perspective view as oriented in FIG. 1;
FIG. 3 is a top plan view as oriented in FIG. 1;
FIG. 4 is a bottom plan view as oriented in FIG. 1;
FIG. 5 is a front elevational view as oriented in FIG. 1,
wherein the back elevational view is the same; and,
FIG. 6 is a right side view as oriented in FIG. 1, wherein the
left side view is the same.

1 Claim, 2 Drawing Sheets



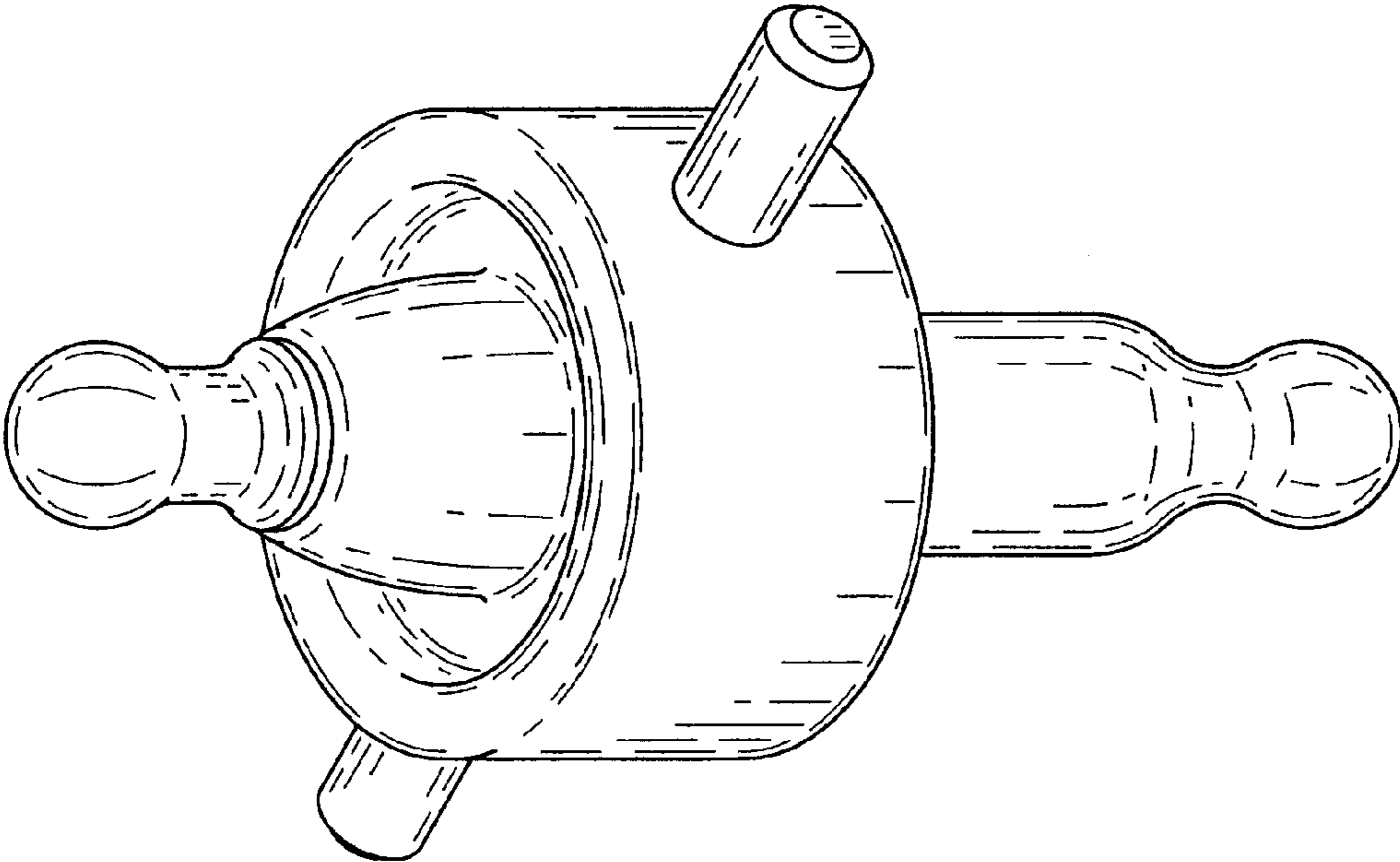


FIG-1

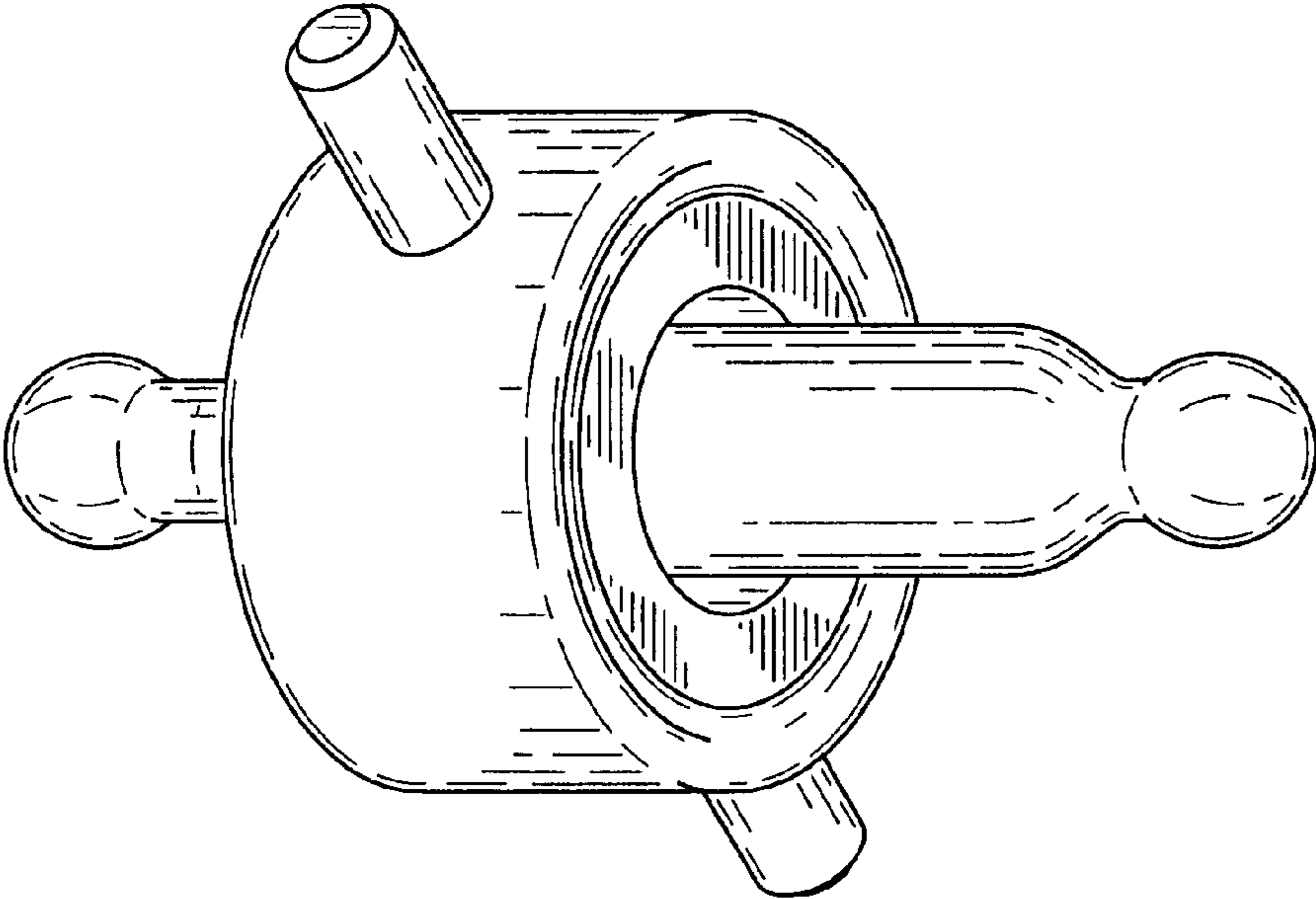


FIG-2

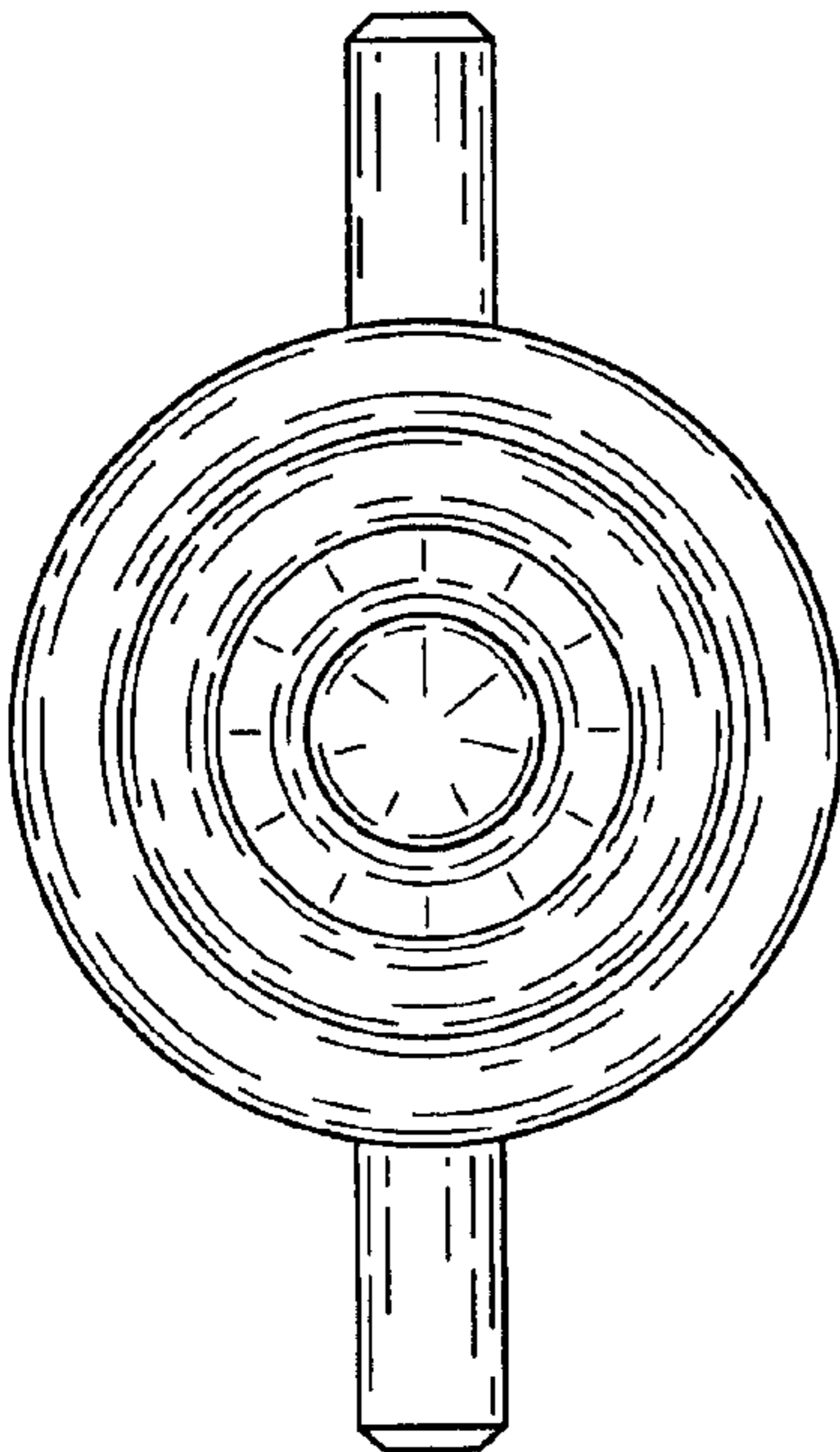


FIG-3

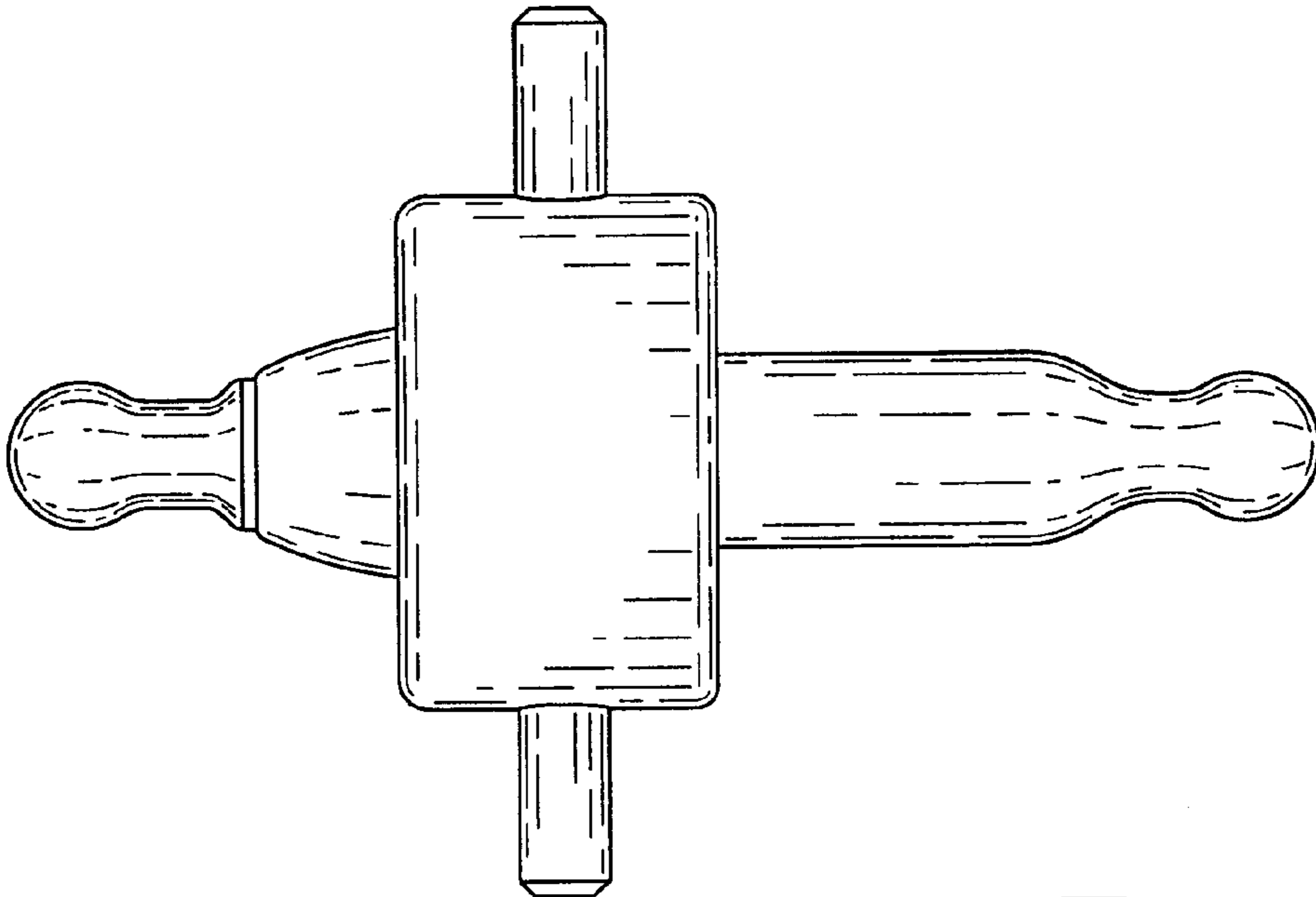


FIG-5

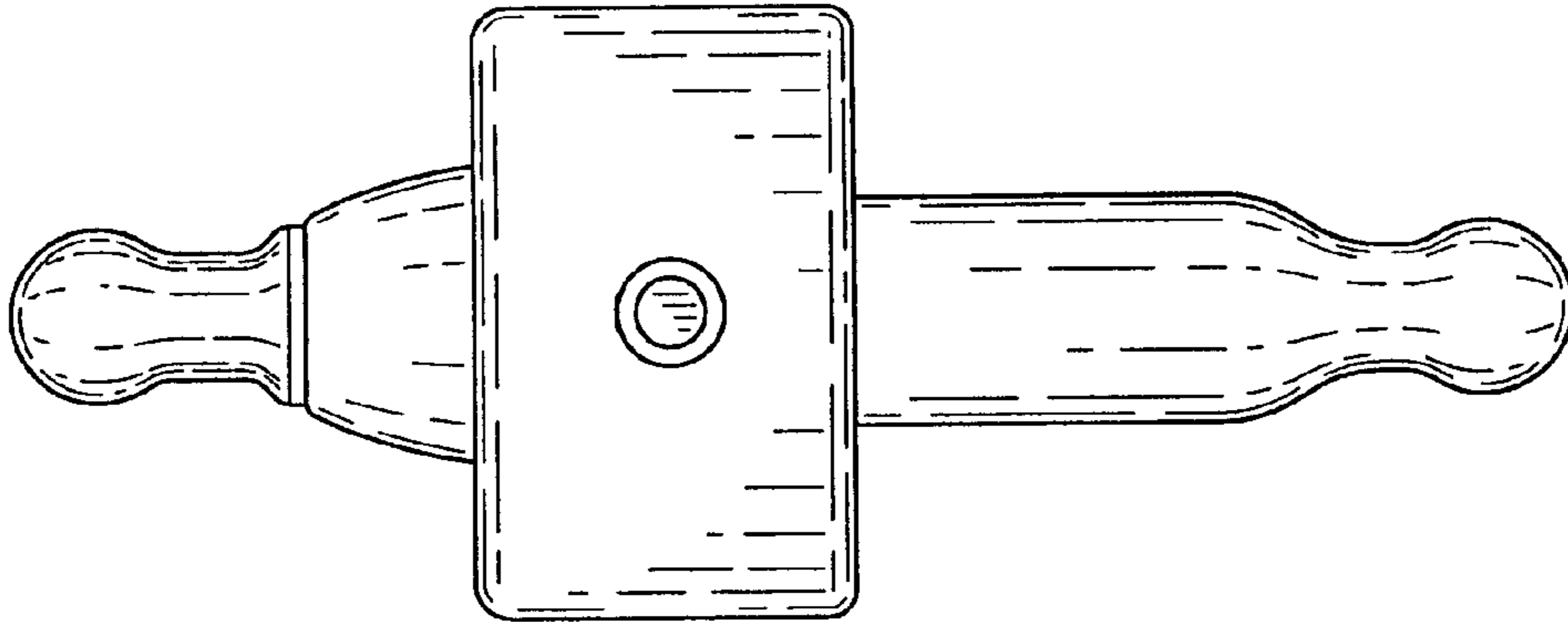


FIG-6

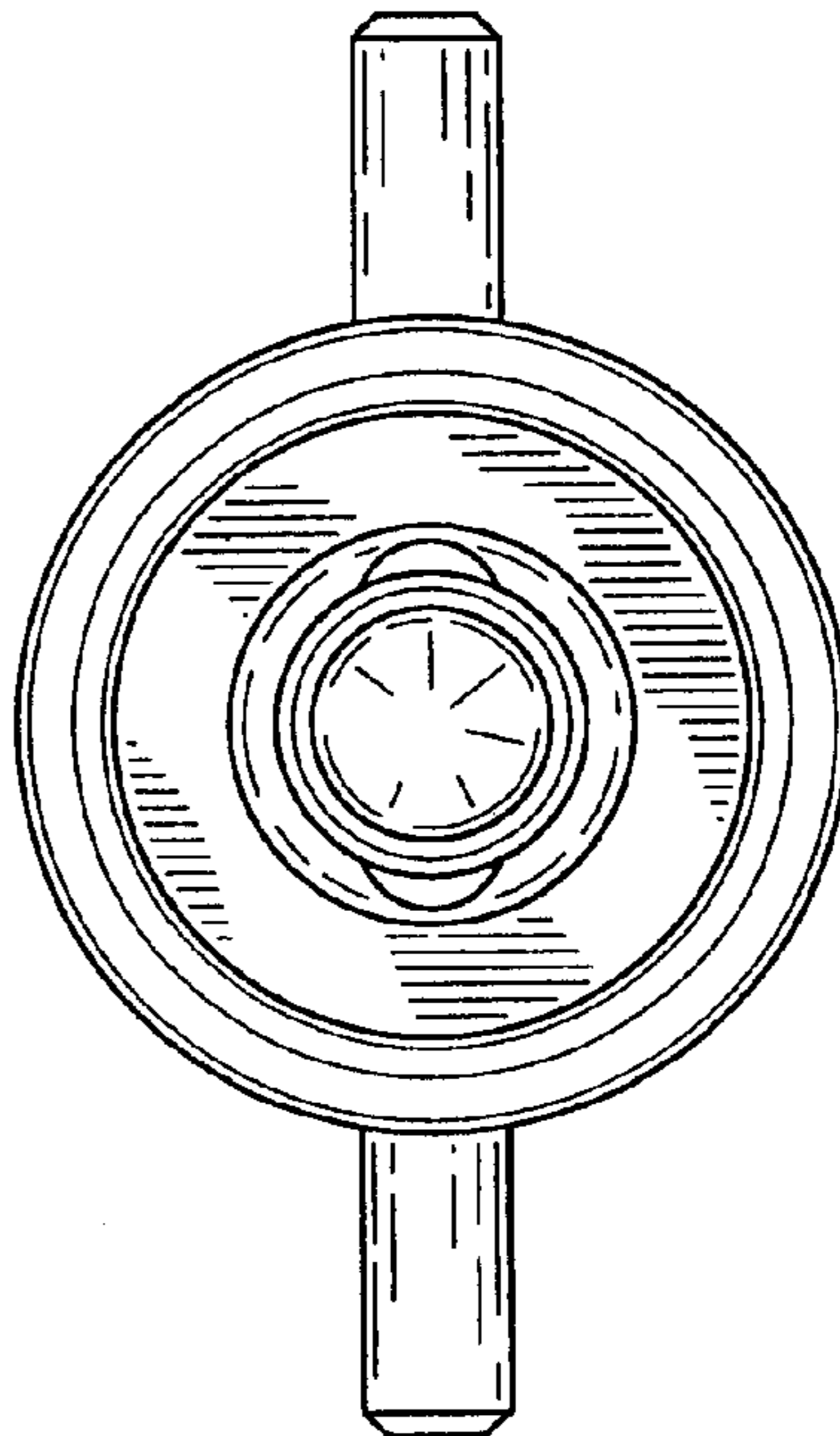


FIG-4