



US00D546847S

(12) **United States Design Patent**
Teng et al.

(10) **Patent No.:** **US D546,847 S**

(45) **Date of Patent:** **** Jul. 17, 2007**

(54) **MOLDING-SYSTEM PLATEN**

Primary Examiner—Antoine D. Davis
Assistant Examiner—Patricia Palasik

(75) Inventors: **Alex Teng**, Richmond Hill (CA);
Joaquim Martins Nogueira, Everett
(CA)

(57) **CLAIM**

We claim the ornamental design for a molding-system platen, as shown and described.

(73) Assignee: **Husky Injection Molding Systems Ltd.**, Bolton, Ontario (CA)

(**) Term: **14 Years**

DESCRIPTION

(21) Appl. No.: **29/275,835**

(22) Filed: **Jan. 8, 2007**

(51) **LOC (8) Cl.** **15-09**

(52) **U.S. Cl.** **D15/135**

(58) **Field of Classification Search** D15/135,
D15/136, 137, 138; 425/253–261, 556, 589–595
See application file for complete search history.

FIG. 1 is a perspective view of a back side of an embodiment of the molding-system platen;

FIG. 2 is a perspective view of a front side of the molding-system platen of FIG. 1;

FIG. 3 is a side view of the right side of the molding-system platen of FIG. 1;

FIG. 4 is a view of the back side of the molding-system platen of FIG. 1;

FIG. 5 is a side view of the left side of the molding-system platen of FIG. 1;

FIG. 6 is a view of the front side of the molding-system platen of FIG. 1;

FIG. 7 is a view of the top side of the molding-system platen of FIG. 1; and,

FIG. 8 is a view of the bottom side of the molding-system platen of FIG. 1.

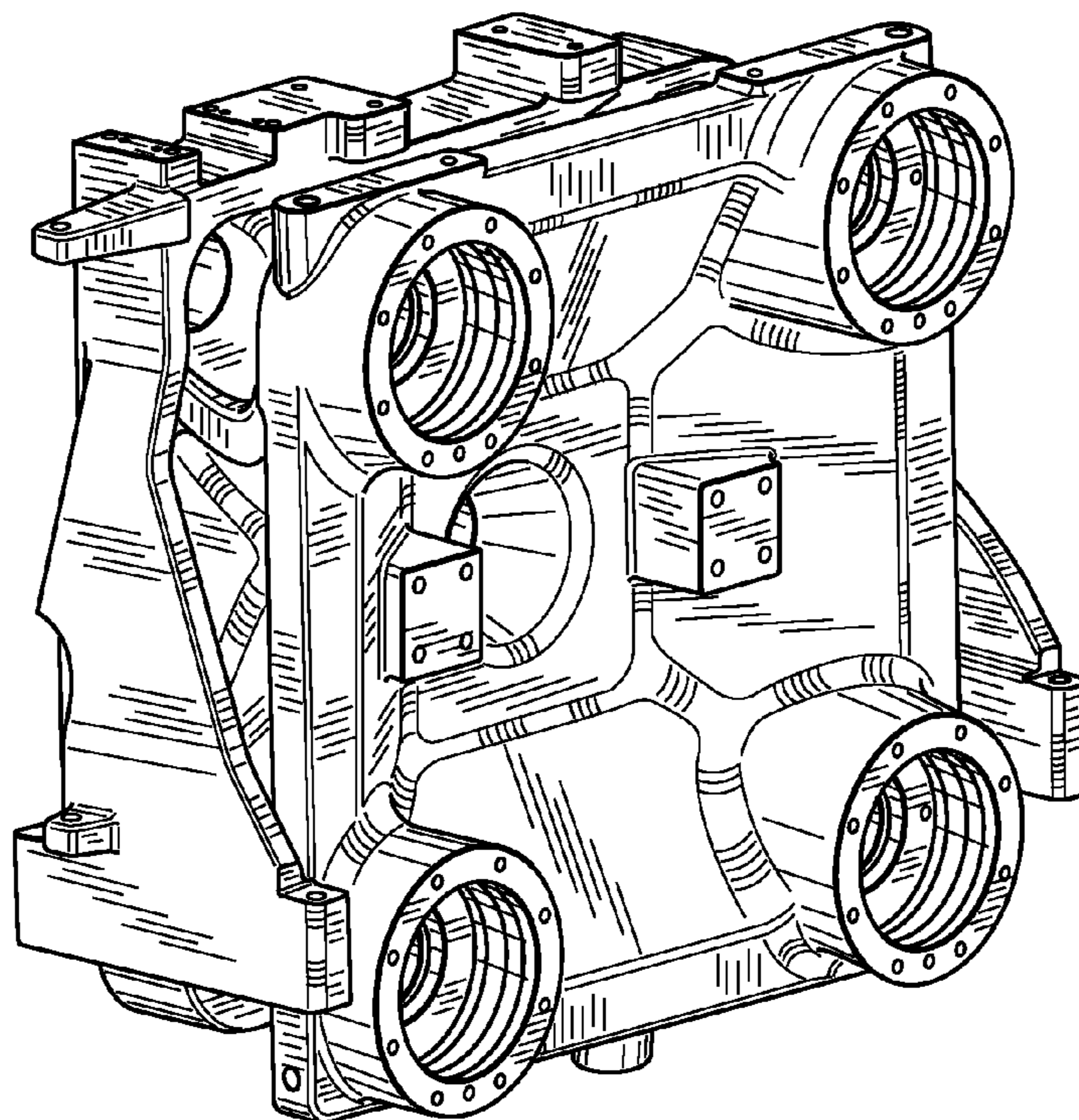
(56) **References Cited**

U.S. PATENT DOCUMENTS

D341,602 S *	11/1993	Faig et al.	D15/135
D343,628 S *	1/1994	Seiholtz	D15/136
6,439,876 B1 *	8/2002	Glaesener	425/595
D472,566 S *	4/2003	Okada	D15/135
6,575,723 B2 *	6/2003	Ondrejka	425/190
6,984,121 B2 *	1/2006	Fischbach et al.	425/595
2004/0208950 A1 *	10/2004	Glaesener	425/595

* cited by examiner

1 Claim, 3 Drawing Sheets



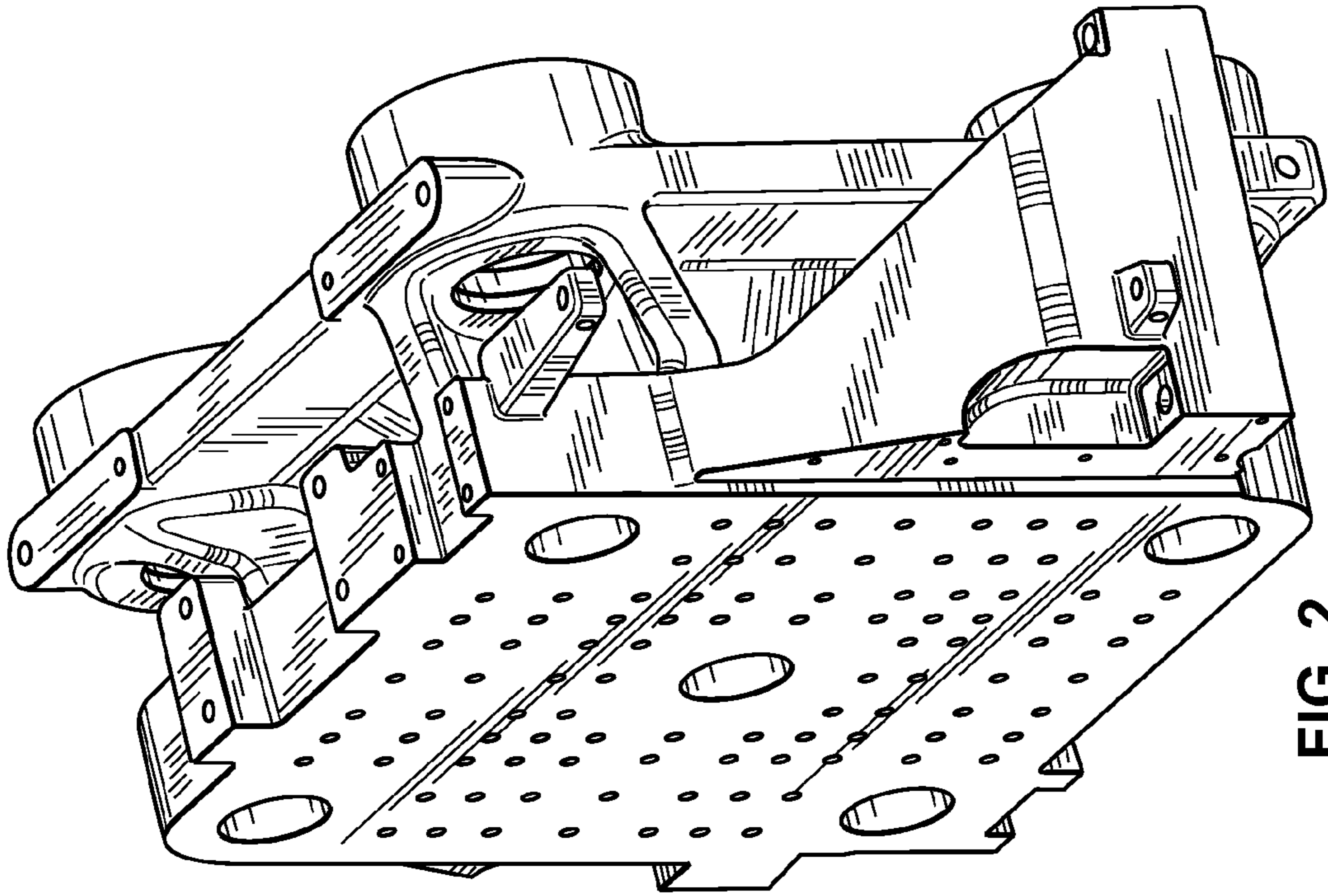


FIG. 2

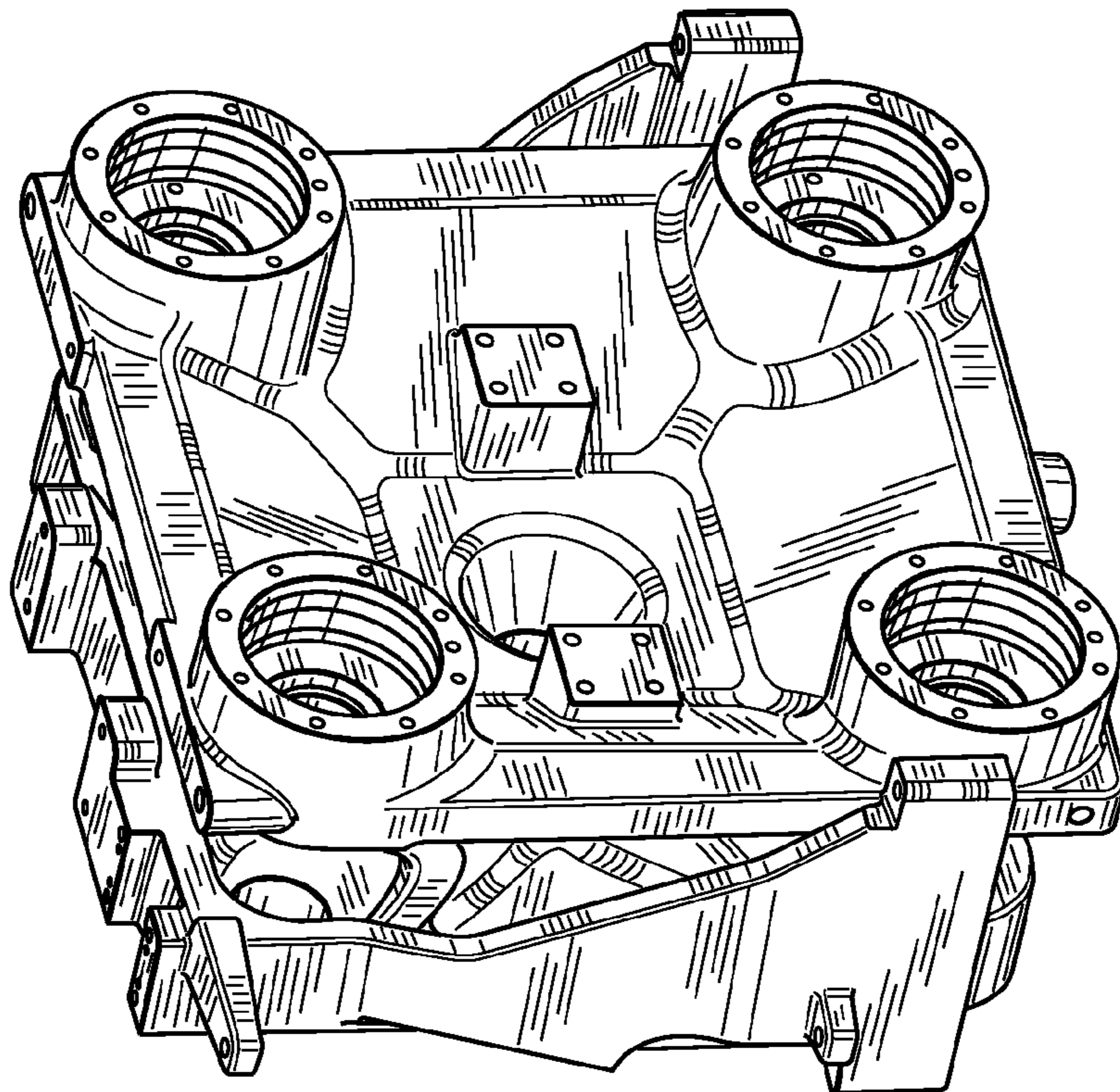


FIG. 1

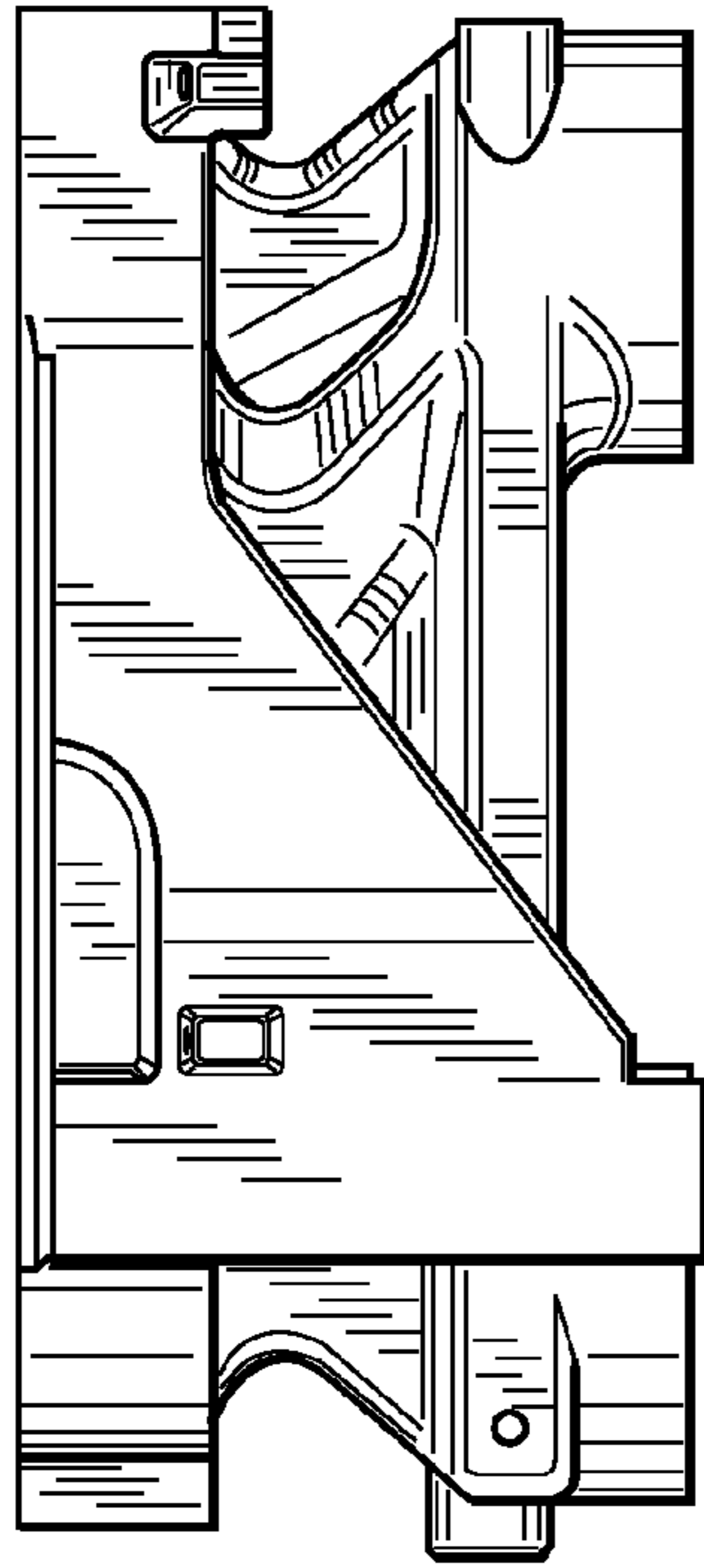


FIG. 3

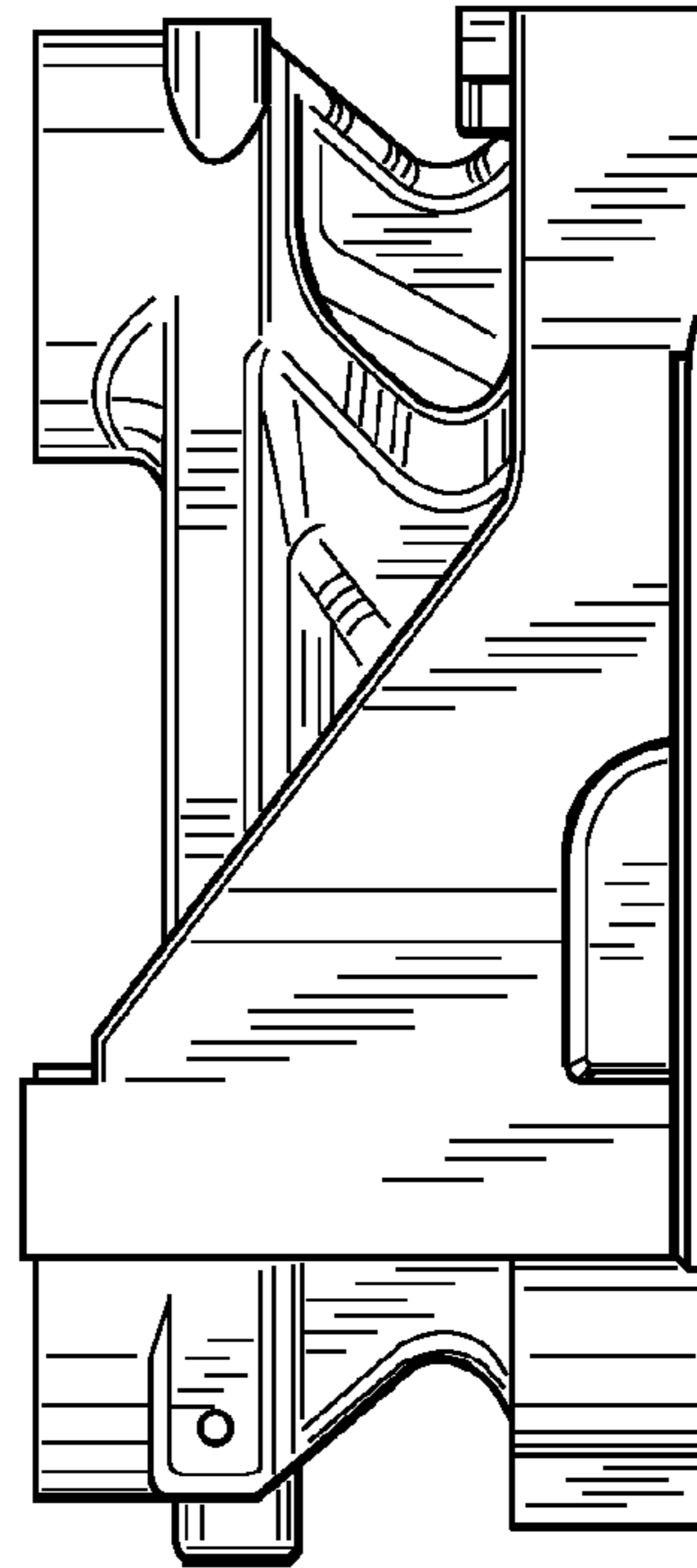


FIG. 5

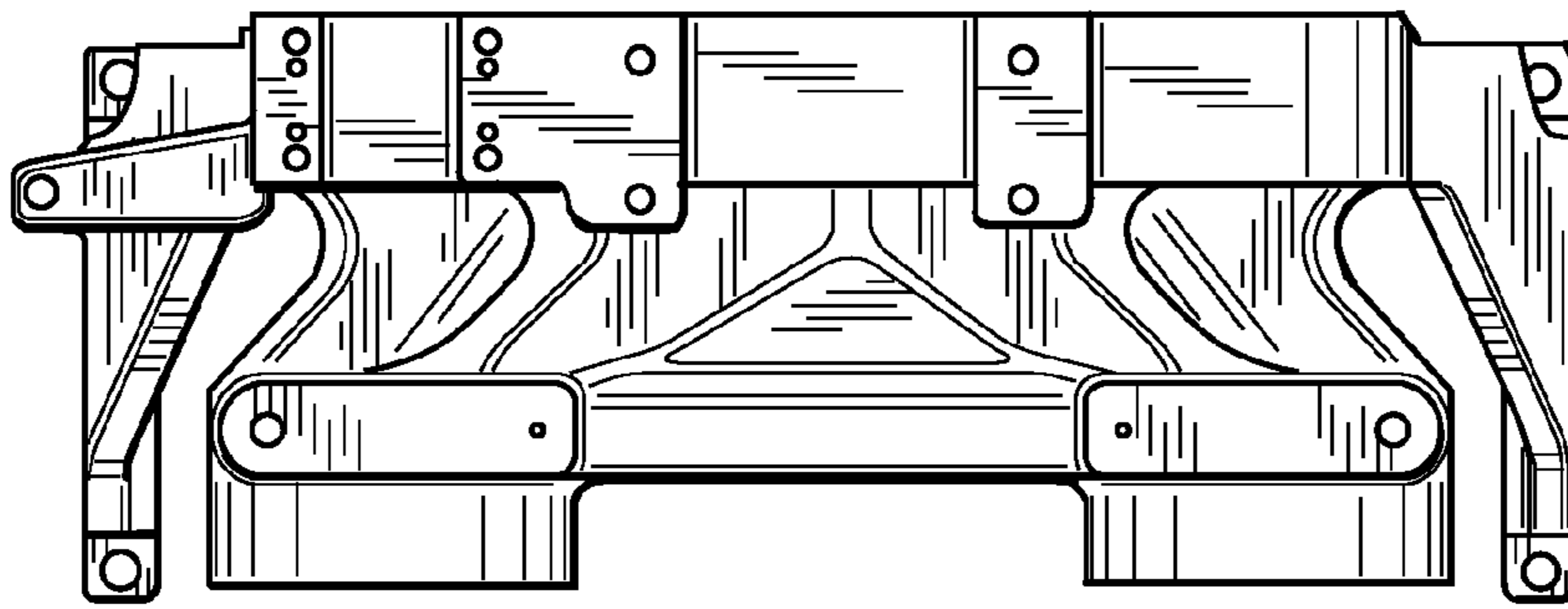


FIG. 7

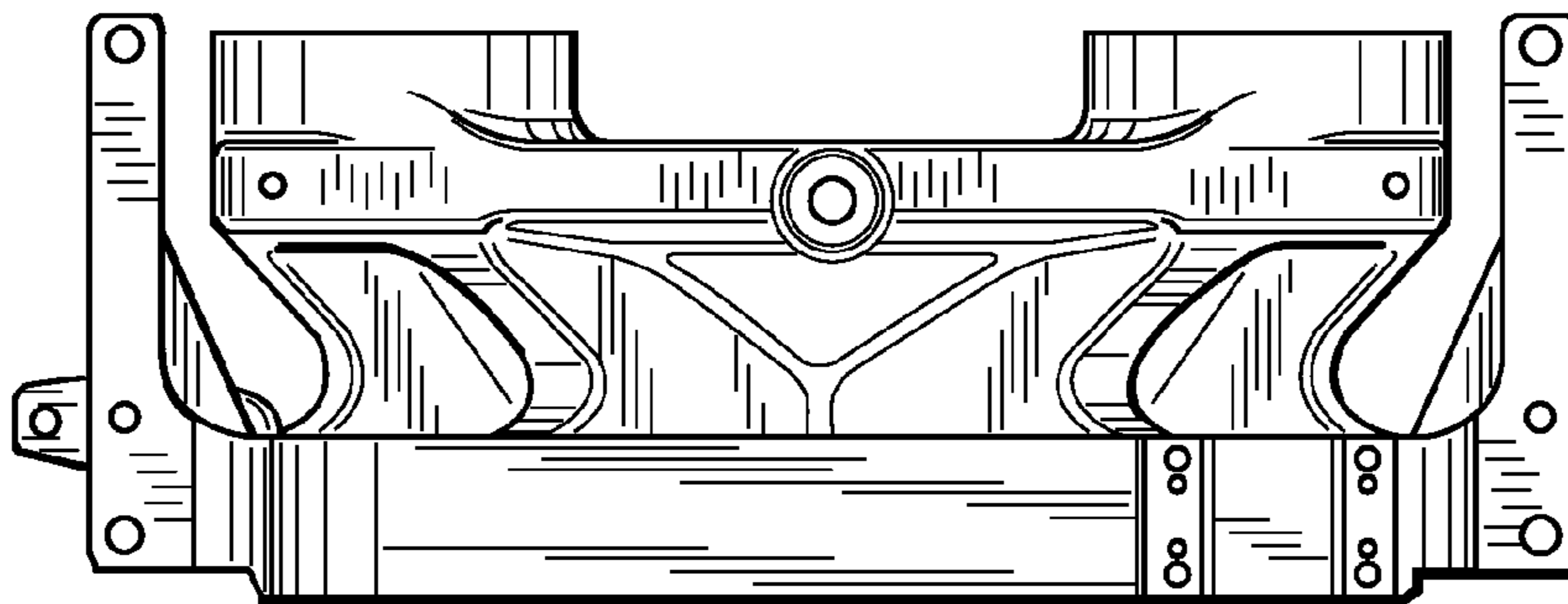


FIG. 8

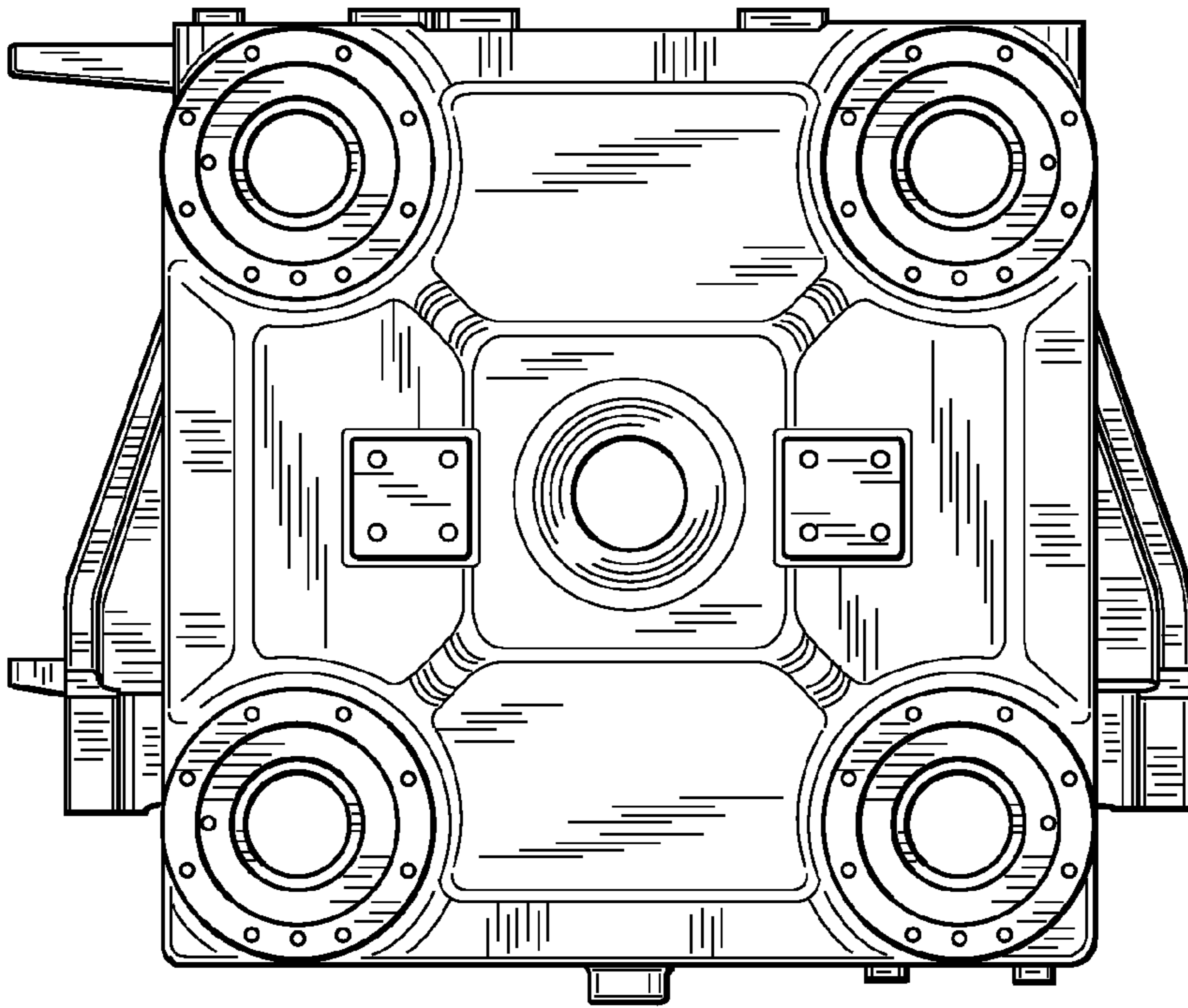


FIG. 4

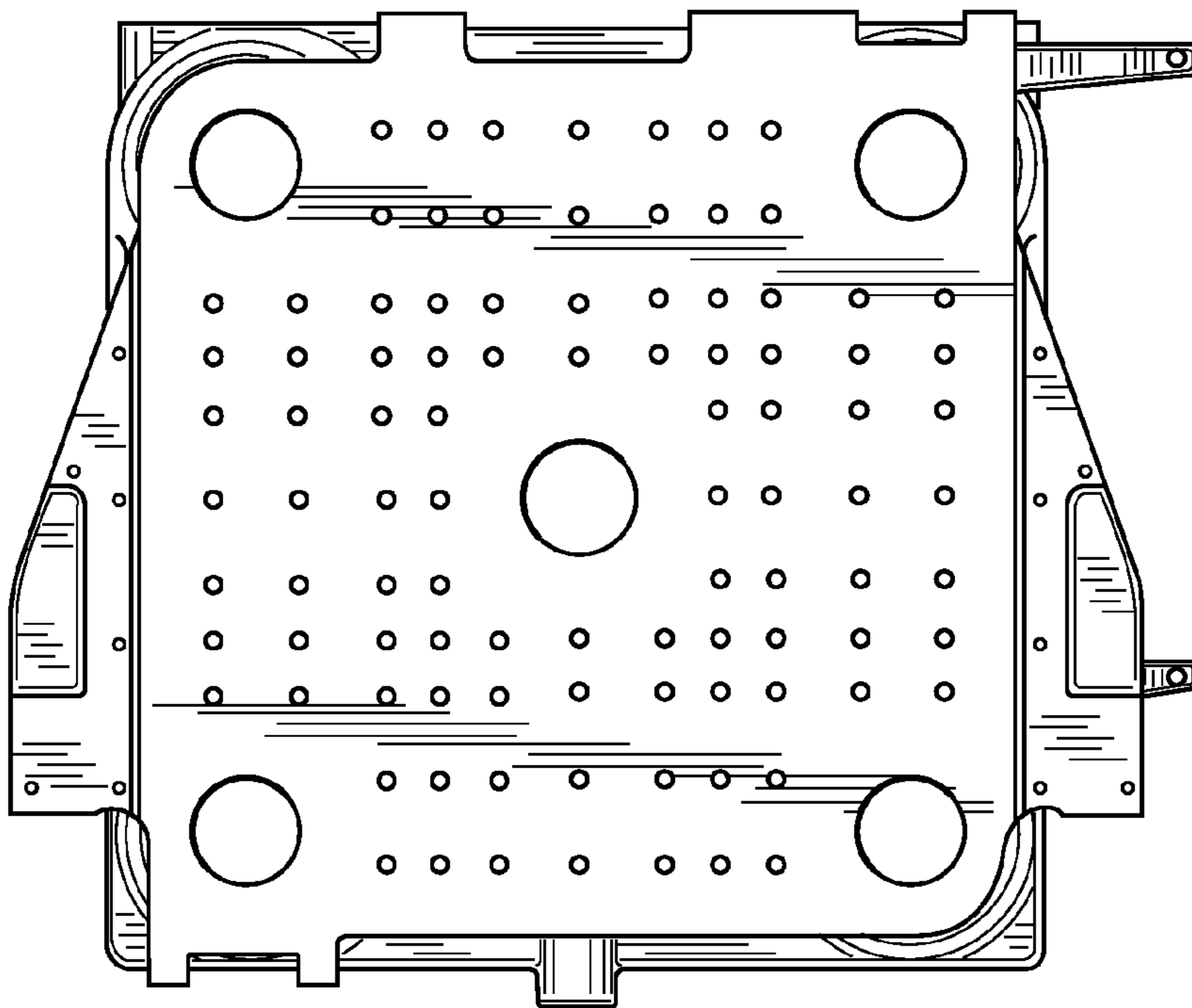


FIG. 6