

US00D546845S

(12) **United States Design Patent**  
**Netzler**

(10) **Patent No.:** **US D546,845 S**

(45) **Date of Patent:** **\*\* Jul. 17, 2007**

(54) **PLANER**

(75) Inventor: **Sion Netzler**, Abingdon, MD (US)

(73) Assignee: **Black & Decker Inc.**, Newark, DE (US)

(\*\*) Term: **14 Years**

(21) Appl. No.: **29/252,920**

(22) Filed: **Jan. 30, 2006**

(51) **LOC (8) Cl.** ..... **15-09**

(52) **U.S. Cl.** ..... **D15/124**

(58) **Field of Classification Search** ..... D15/124,  
D15/125; 144/112.1, 114 R, 117 R, 124,  
144/129, 130, 144.1, 154.5, 218, 225, 228,  
144/230, 242.5, 245.1, 246.1, 250.2, 252.1,  
144/253.2, 253.8

See application file for complete search history.

(56) **References Cited**

**U.S. PATENT DOCUMENTS**

D306,171 S \* 2/1990 Kronthaler ..... D15/127  
6,293,321 B1 \* 9/2001 Chiang ..... 144/252.1  
6,422,274 B1 \* 7/2002 Chiang ..... 144/129

D496,946 S \* 10/2004 Chuang ..... D15/124  
2002/0043776 A1 \* 4/2002 Chuang ..... 280/43.24  
2002/0134465 A1 \* 9/2002 Liao et al. .... 144/252.1

\* cited by examiner

*Primary Examiner*—Antoine D. Davis

*Assistant Examiner*—Patricia Palasik

(74) *Attorney, Agent, or Firm*—Mehul R. Jani; Adan Ayala; Charles Yocum

(57) **CLAIM**

The ornamental design for a planer, as shown and described.

**DESCRIPTION**

FIG. 1 is a perspective view of a planer showing our new design.

FIG. 2 is a right side view thereof.

FIG. 3 is a left side view thereof.

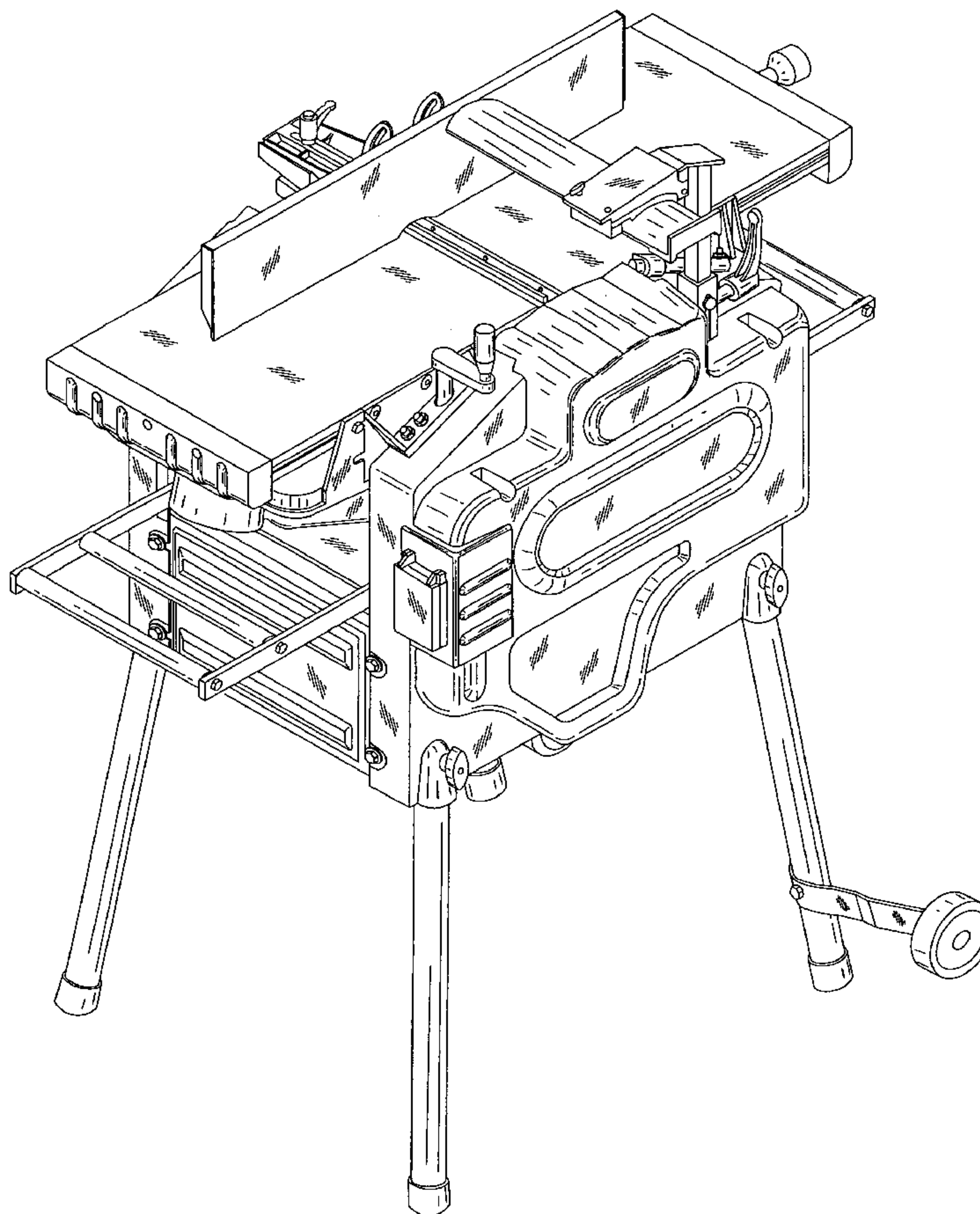
FIG. 4 is a front view thereof.

FIG. 5 is a rear view thereof.

FIG. 6 is a top view thereof; and,

FIG. 7 is a bottom view thereof.

**1 Claim, 7 Drawing Sheets**



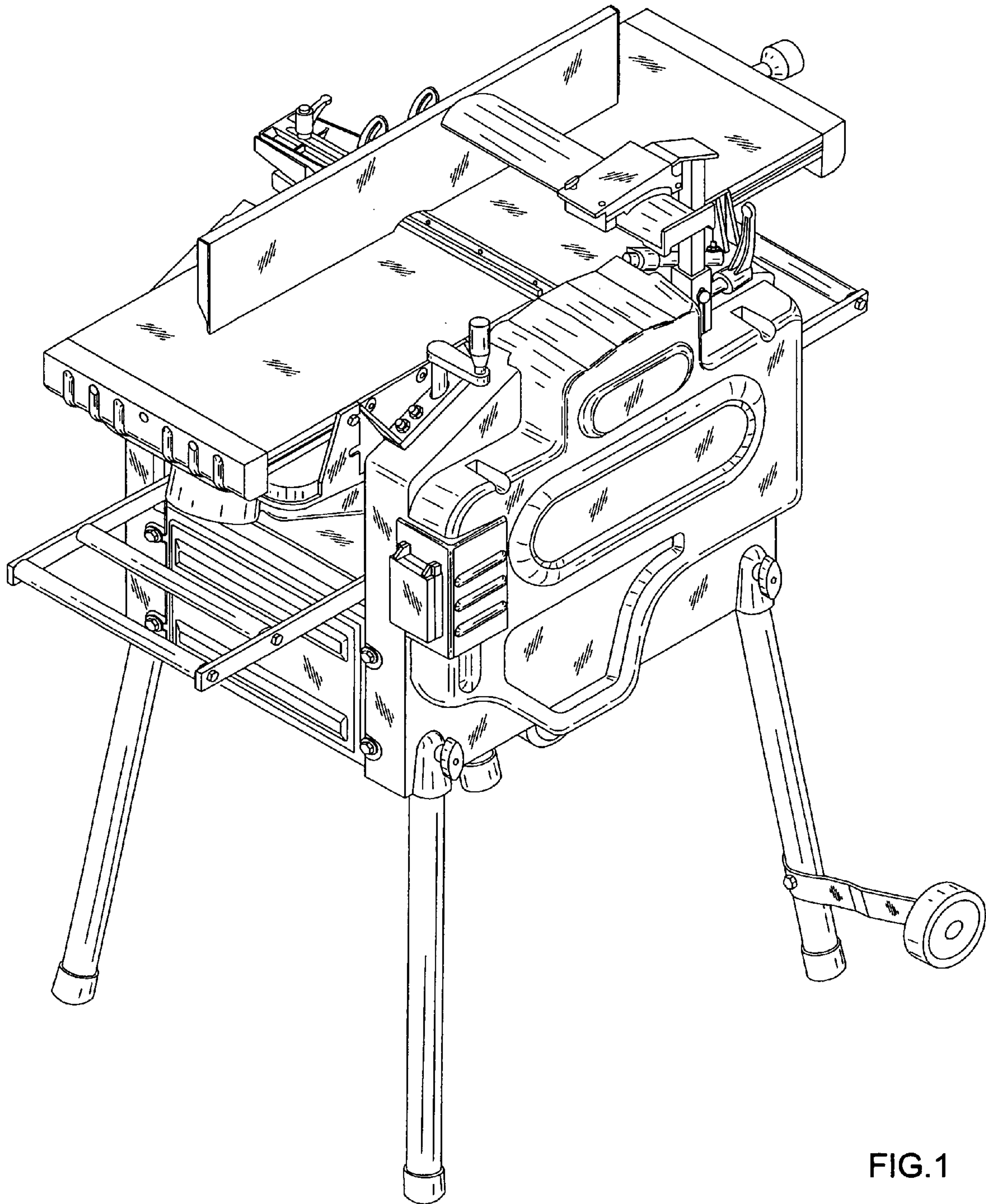
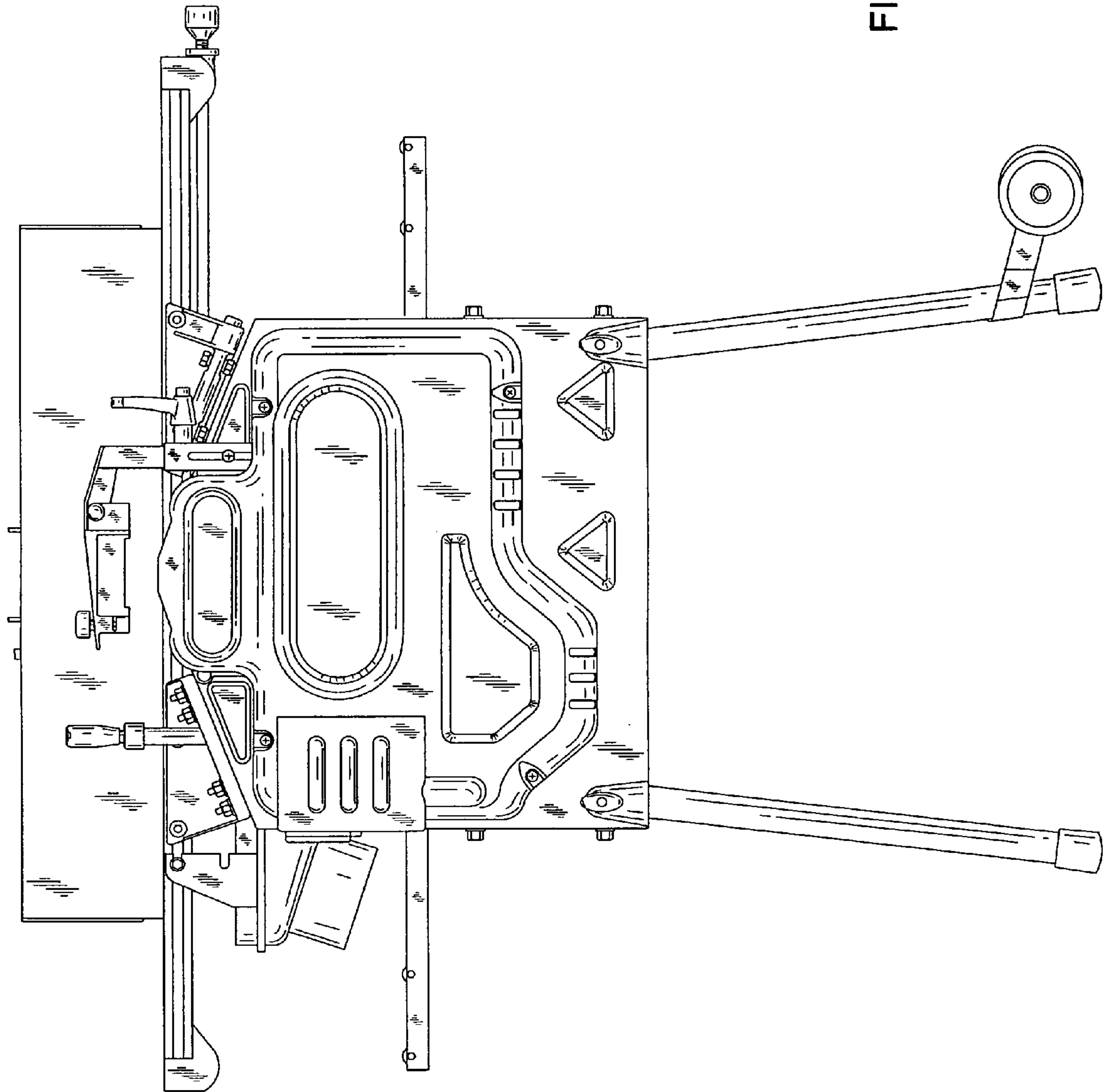


FIG.1

FIG.2



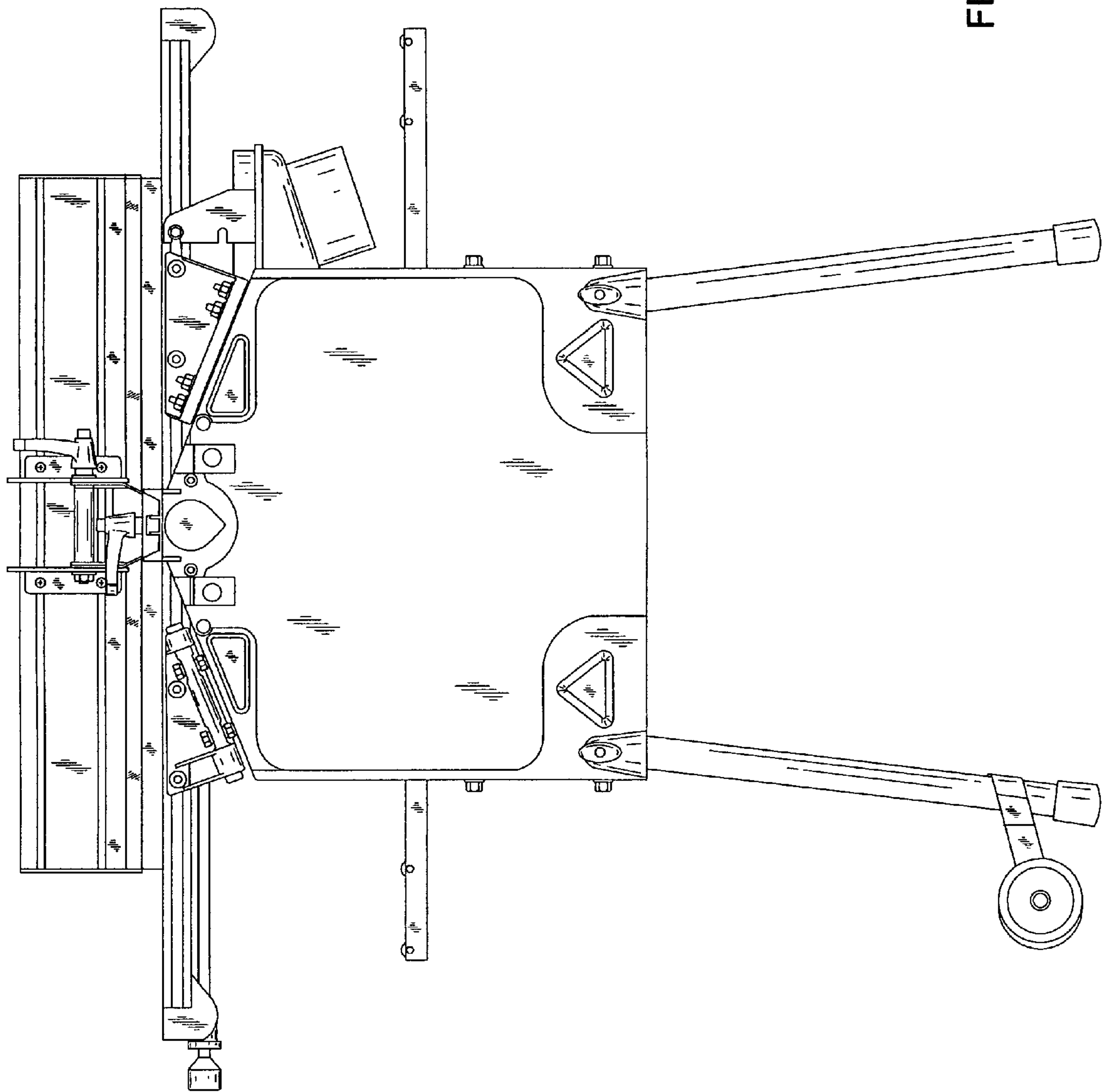


FIG.3



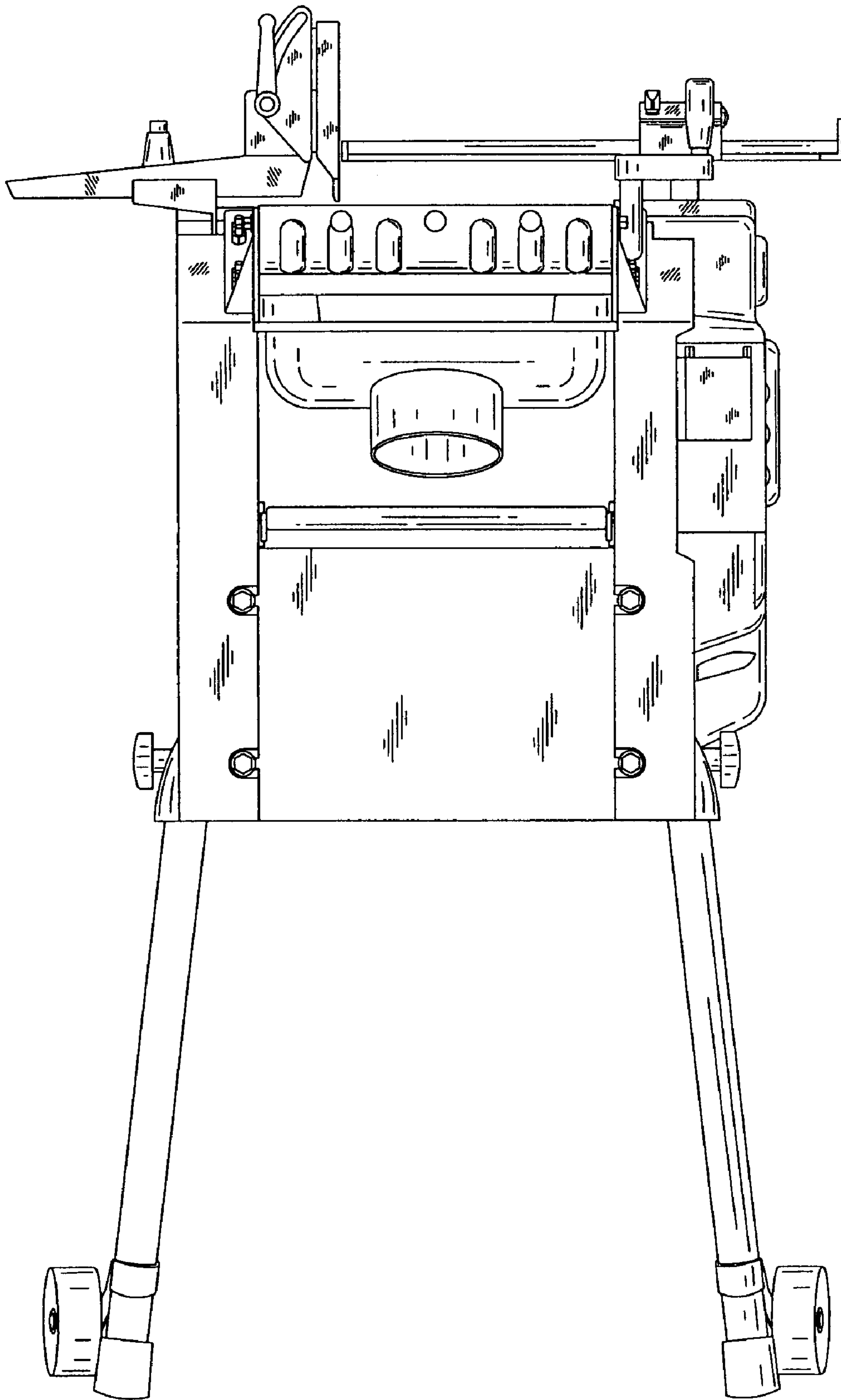


FIG.4

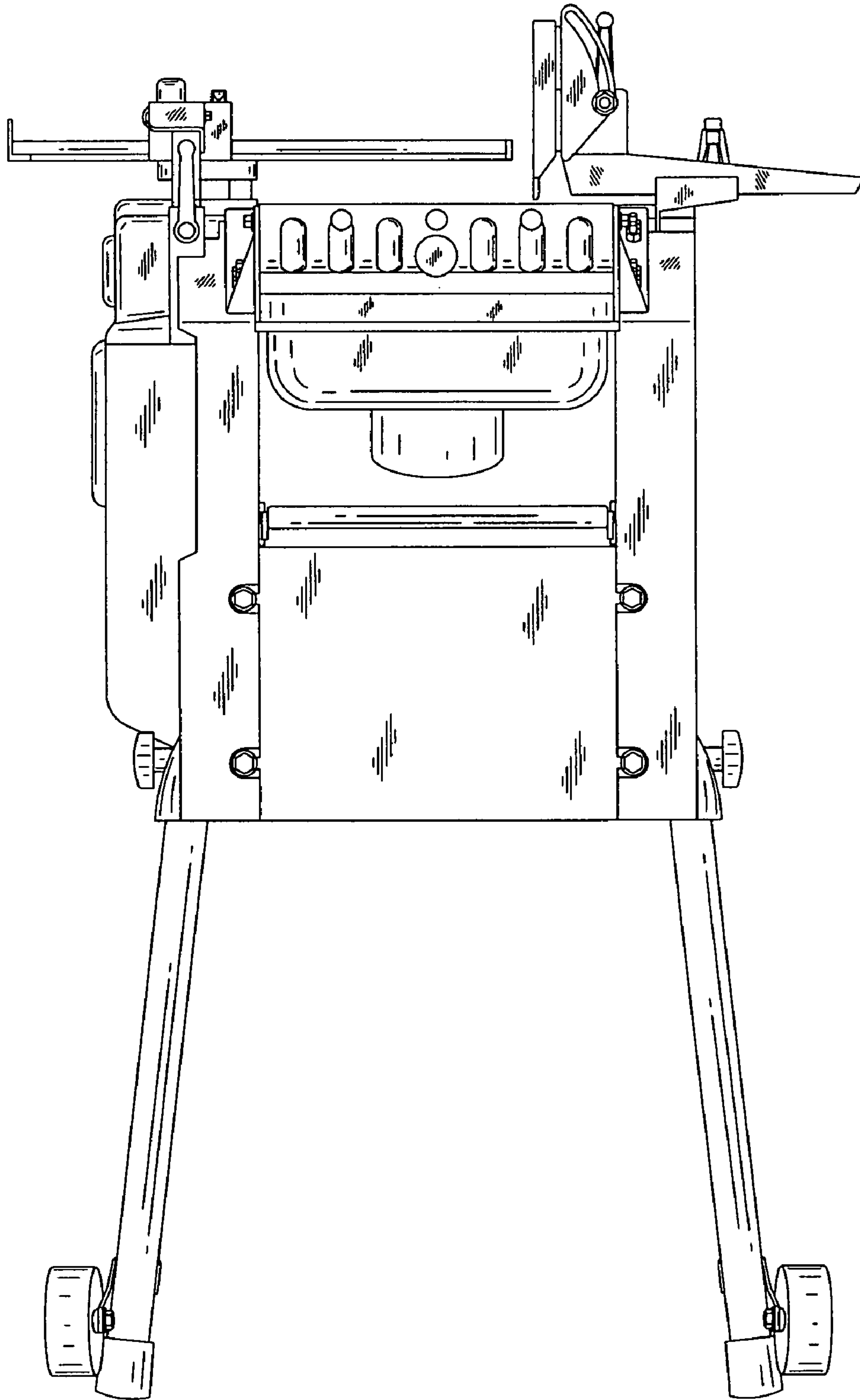


FIG.5

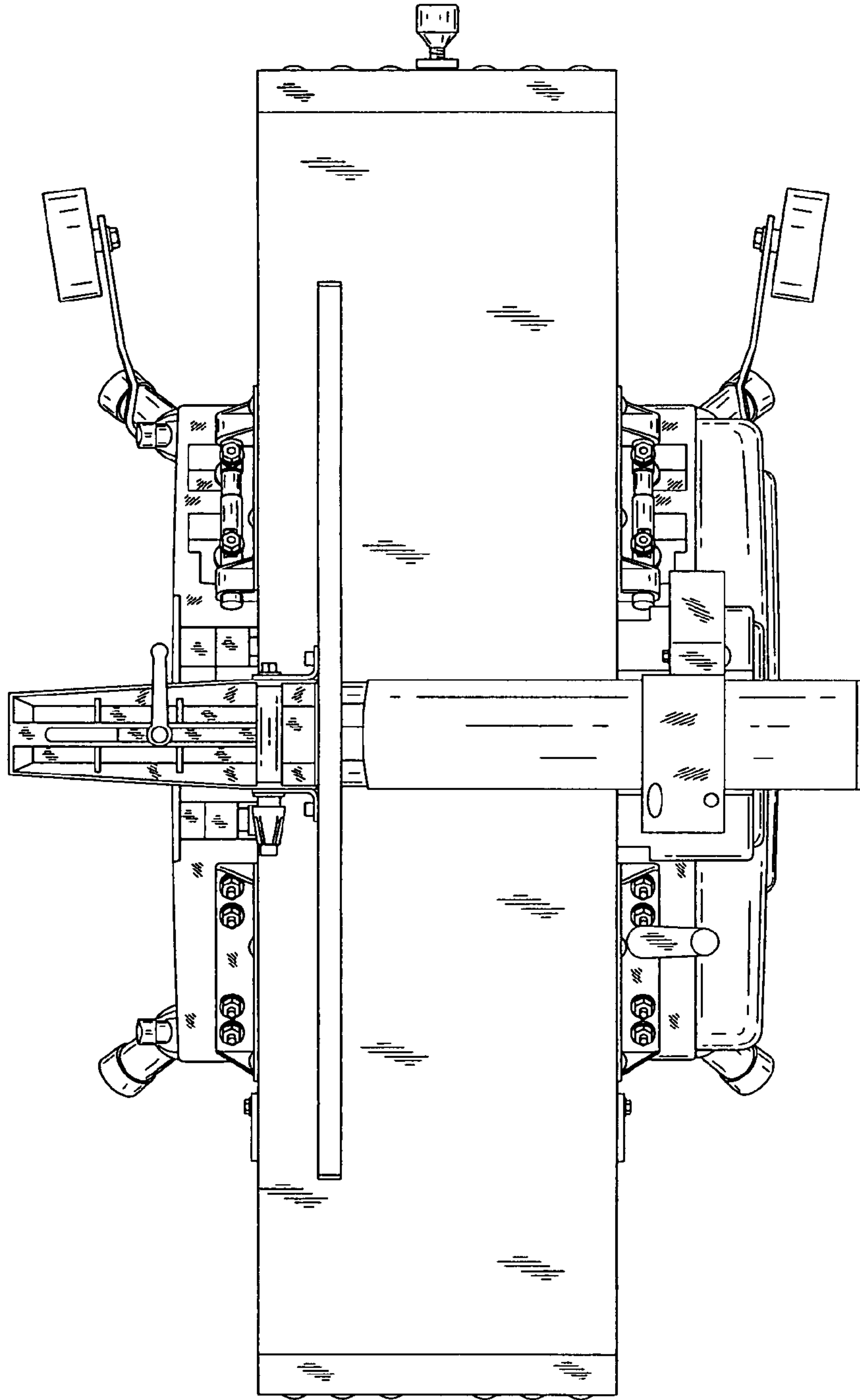


FIG.6

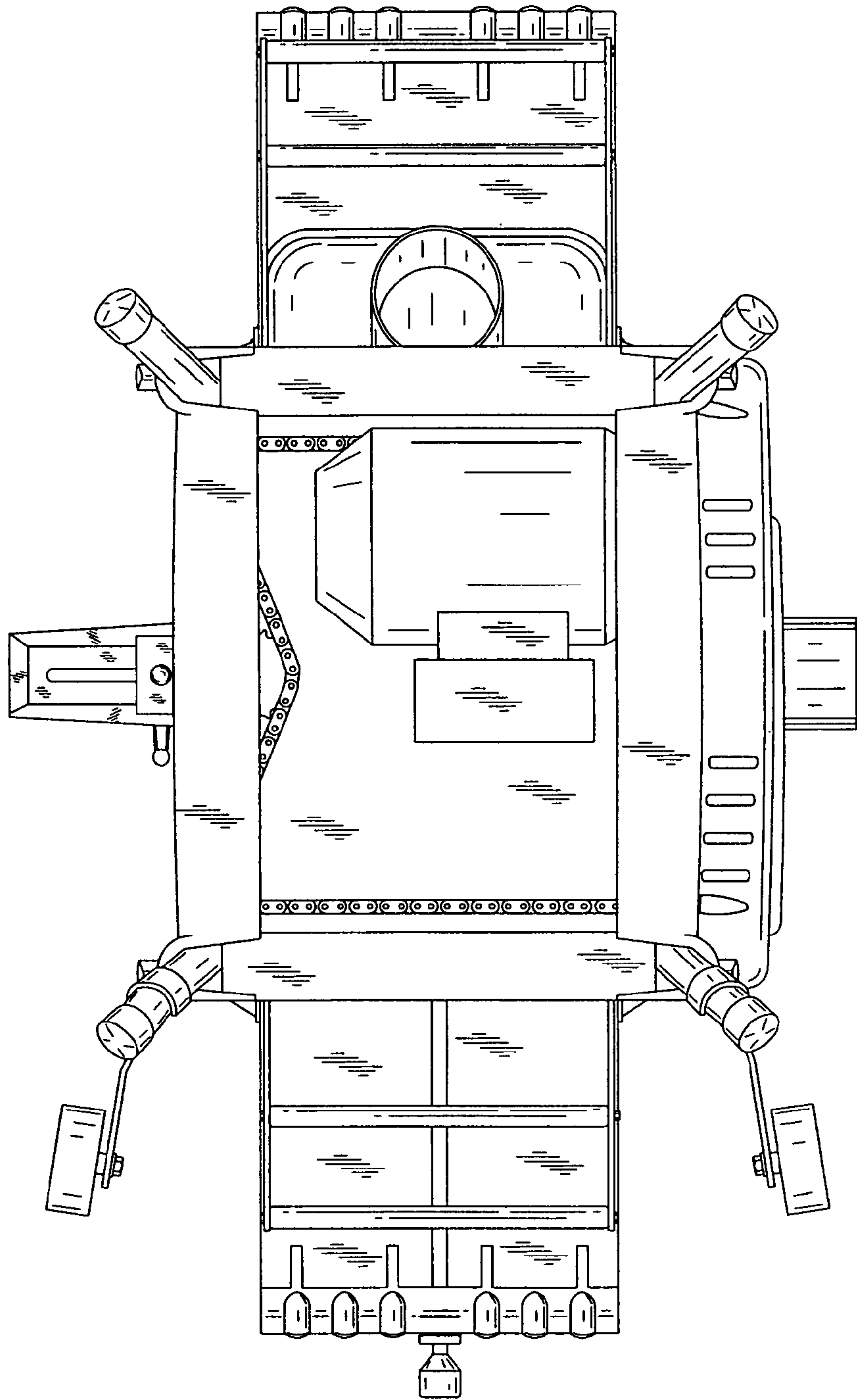


FIG. 7