



US00D546844S

(12) **United States Design Patent**
Schmidt et al.

(10) **Patent No.:** **US D546,844 S**

(45) **Date of Patent:** **** Jul. 17, 2007**

(54) **COMPACTOR**

(75) Inventors: **Duane A. Schmidt**, Newburgh, IN (US); **Allan R. Steinkuhl**, Evansville, IN (US); **Joseph L. Coleman**, Evansville, IN (US)

(73) Assignee: **Whirlpool Corporation**, Benton Harbor, MI (US)

(**) Term: **14 Years**

(21) Appl. No.: **29/217,208**

(22) Filed: **Nov. 12, 2004**

Related U.S. Application Data

(62) Division of application No. 29/173,443, filed on Dec. 30, 2002, now Pat. No. Des. 504,989.

(51) **LOC (8) Cl.** **15-09**

(52) **U.S. Cl.** **D15/123**

(58) **Field of Classification Search** D15/123;
100/299 A, 343, 349, 902

See application file for complete search history.

(56) **References Cited**

U.S. PATENT DOCUMENTS

D479,249 S * 9/2003 Jones et al. D15/123

* cited by examiner

Primary Examiner—Antoine D. Davis

Assistant Examiner—Patricia Palasik

(74) *Attorney, Agent, or Firm*—Robert O. Rice; Stephen Krefman; John F. Colligan

(57) **CLAIM**

The ornamental design for a compactor, as shown and described.

DESCRIPTION

FIG. 1 is a right front perspective view of the design of the compactor;

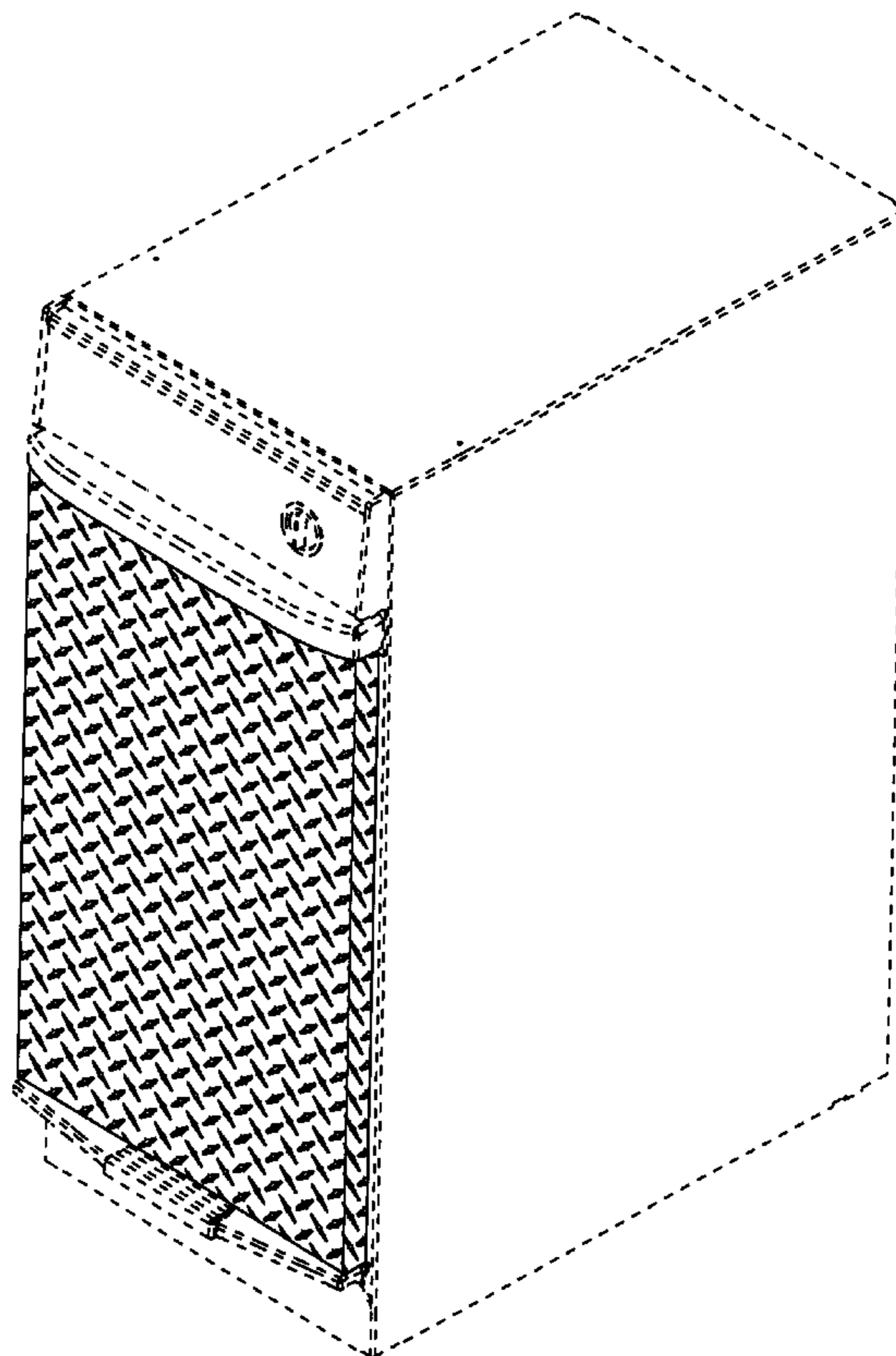
FIG. 2 is a front elevational view thereof. The ornamental design is not visible in a rear view, top plan view or bottom view;

FIG. 3 is a right side elevational view thereof, the left side elevational view being a mirror image; and,

FIG. 4 is an enlarged view of the pattern on the compactor door of the embodiment as shown in FIG. 1.

Those portions of compactor in broken lines, specifically the surfaces of the compactor at the top and bottom edges of the door and surfaces extending back from the door including other surfaces of the compactor are for illustrative purposes only and are not part of the claimed invention.

1 Claim, 3 Drawing Sheets



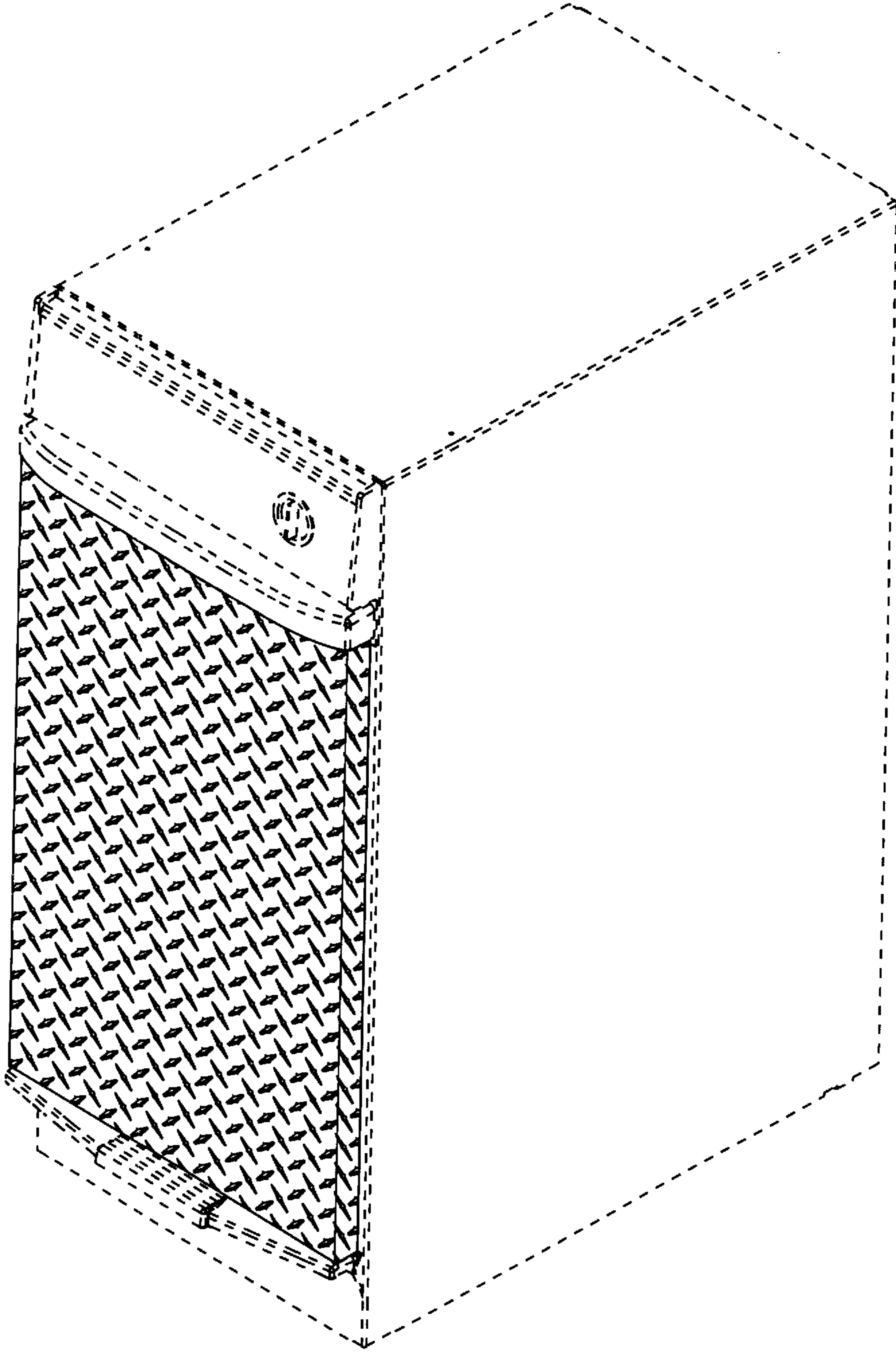


Fig. 1

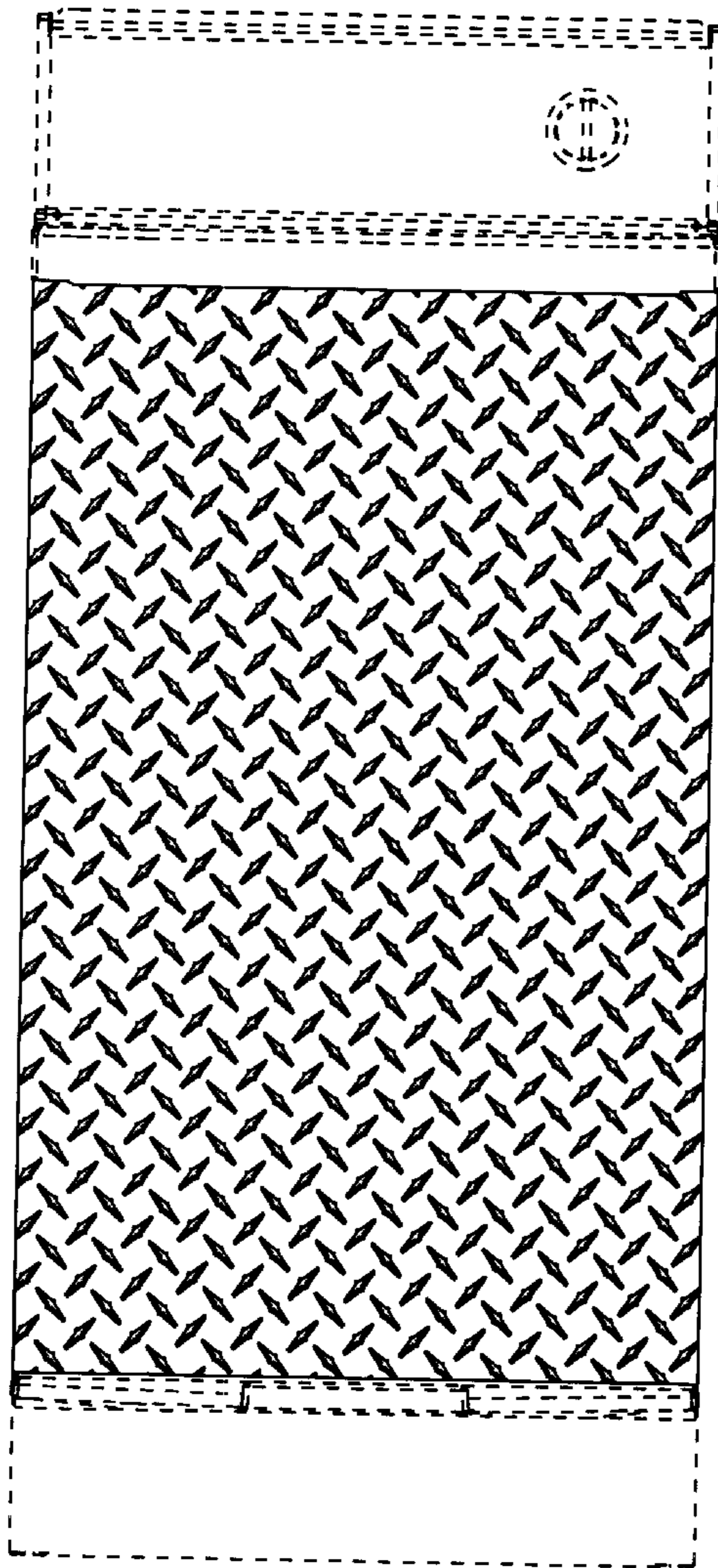


Fig. 2

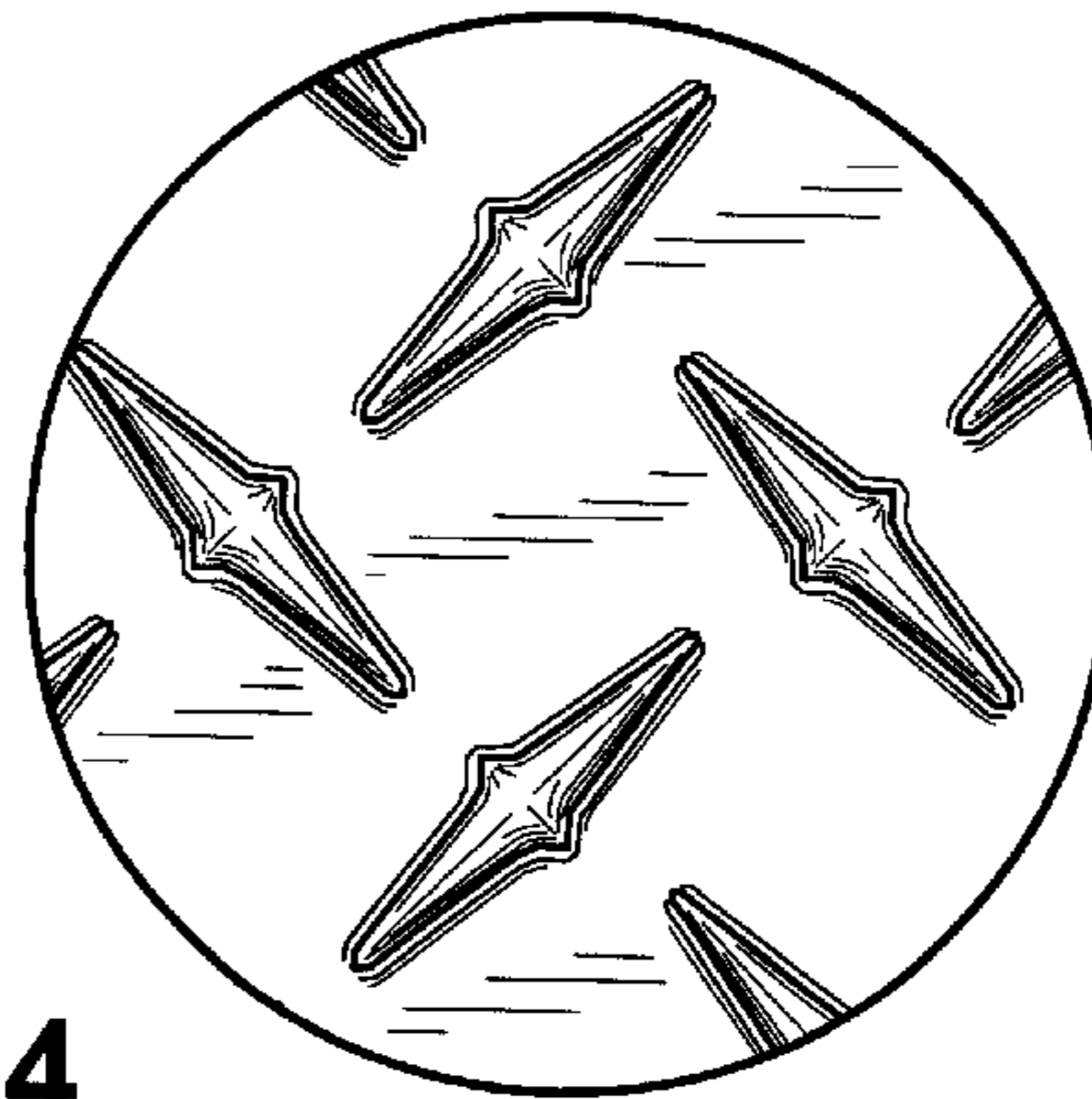


Fig. 4

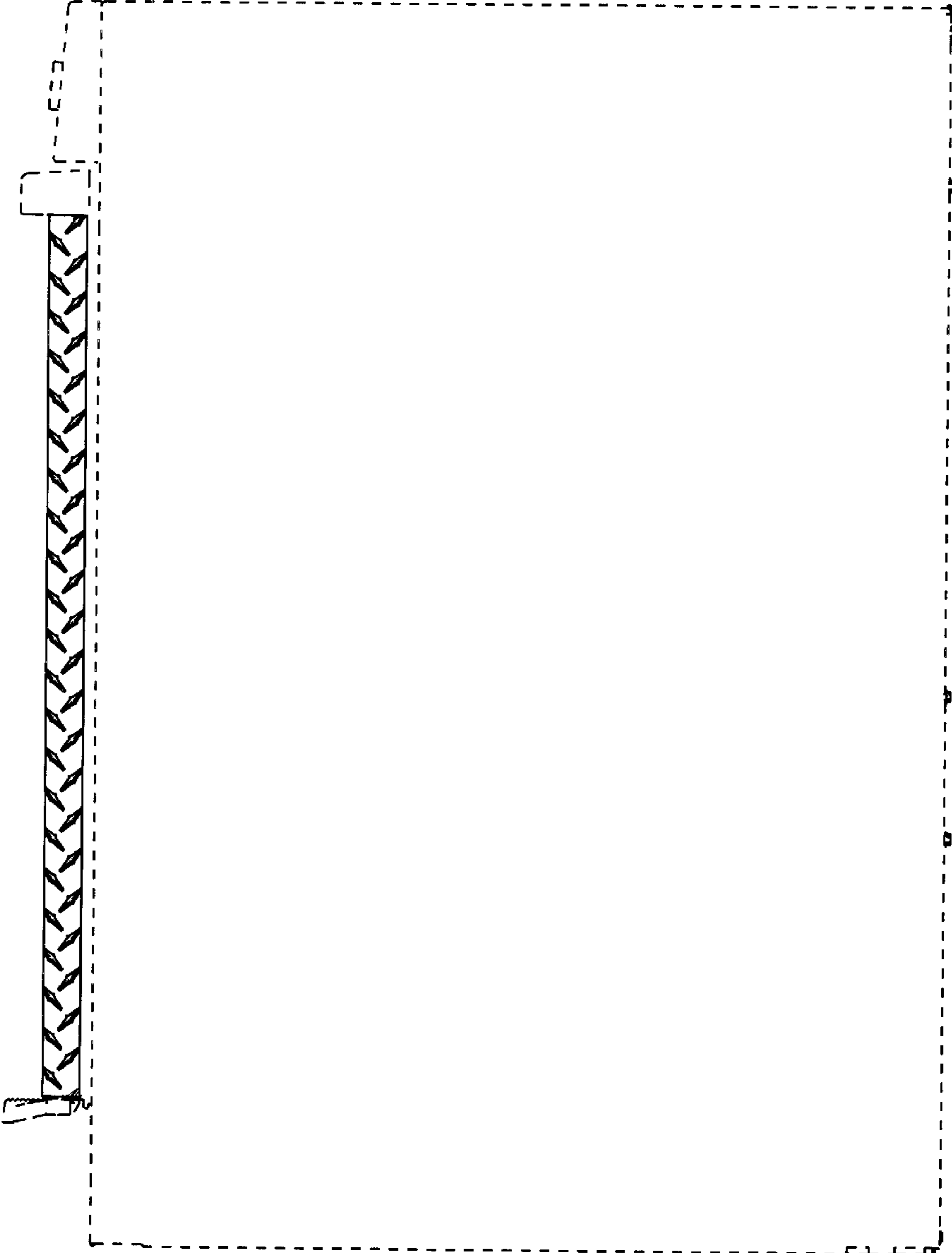


Fig. 3