



US00D546839S

(12) **United States Design Patent**
Hynecek et al.

(10) **Patent No.:** **US D546,839 S**
(45) **Date of Patent:** **** Jul. 17, 2007**

(54) **APPARATUS FOR RECEIVING A PORTABLE MEDIA PLAYER TO PERFORM AN ACCESSORY FUNCTION**

(75) Inventors: **Bryan Lee Hynecek**, Plano, TX (US);
Jon Karl Dukerschein, Addison, TX (US)

(73) Assignee: **Radio Shack Corporation**, Ft. Worth, TX (US)

(**) Term: **14 Years**

(21) Appl. No.: **29/256,444**

(22) Filed: **Mar. 21, 2006**

(51) **LOC (8) Cl.** **14-03**

(52) **U.S. Cl.** **D14/496; D14/434**

(58) **Field of Classification Search** D14/496,
D14/434, 474, 483, 217, 137, 138, 160, 168;
345/156, 169, 173-179, 905; 715/727-729,
715/864; 455/11.1, 773, 344-347, 93, 95;
370/342-344; 369/1, 2, 6, 12; 463/43-47;
273/148 B

See application file for complete search history.

(56) **References Cited**

U.S. PATENT DOCUMENTS

D356,509 S * 3/1995 Ping D10/23
6,192,253 B1 * 2/2001 Charlier et al. 455/575.7
D442,498 S * 5/2001 Winburn D10/23

6,608,399 B2 * 8/2003 McConnell et al. 307/10.1
6,753,882 B2 * 6/2004 Nakazawa et al. 715/708
D495,336 S * 8/2004 Andre et al. D14/434
6,813,771 B2 * 11/2004 Weaver 720/600
7,006,408 B2 * 2/2006 Chen 368/10
7,013,164 B2 * 3/2006 Lin 455/557
D527,017 S * 8/2006 Kim D14/496

* cited by examiner

Primary Examiner—Prabhakar Deshmukh

(74) *Attorney, Agent, or Firm*—Law Office of Donald D. Mondul

(57) **CLAIM**

The ornamental design for an apparatus for receiving a portable media player to perform an accessory function, as shown and described.

DESCRIPTION

FIG. 1 is a perspective view of an apparatus for receiving a portable media player to perform an accessory function showing our new design;

FIG. 2 is a rear perspective view thereof;

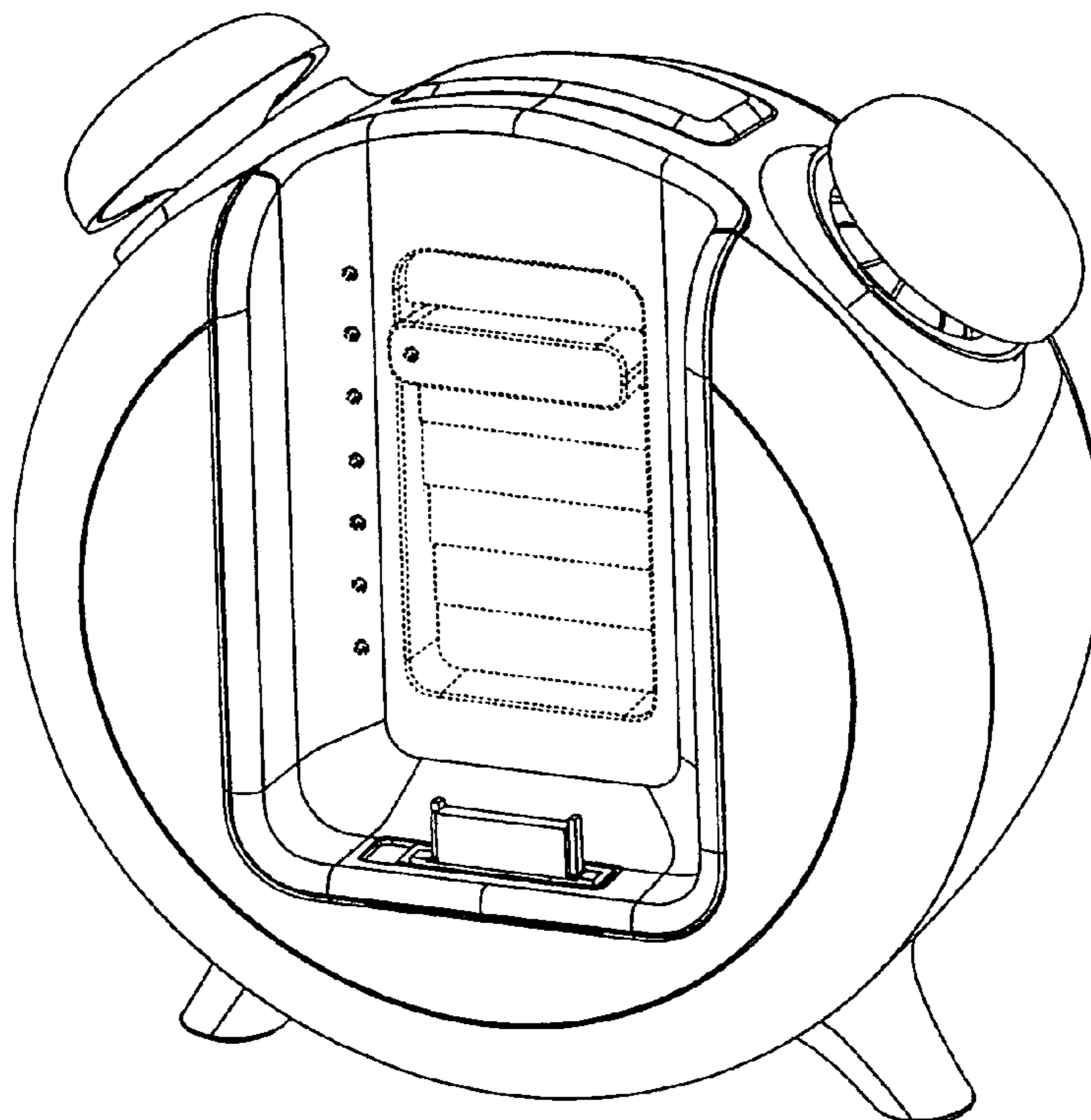
FIG. 3 is a front elevational view thereof;

FIG. 4 is a right side elevational view thereof; and,

FIG. 5 is a top plan view thereof.

The broken lines showing the adjusting support is for illustrative purpose and form no part of the claimed design.

1 Claim, 3 Drawing Sheets



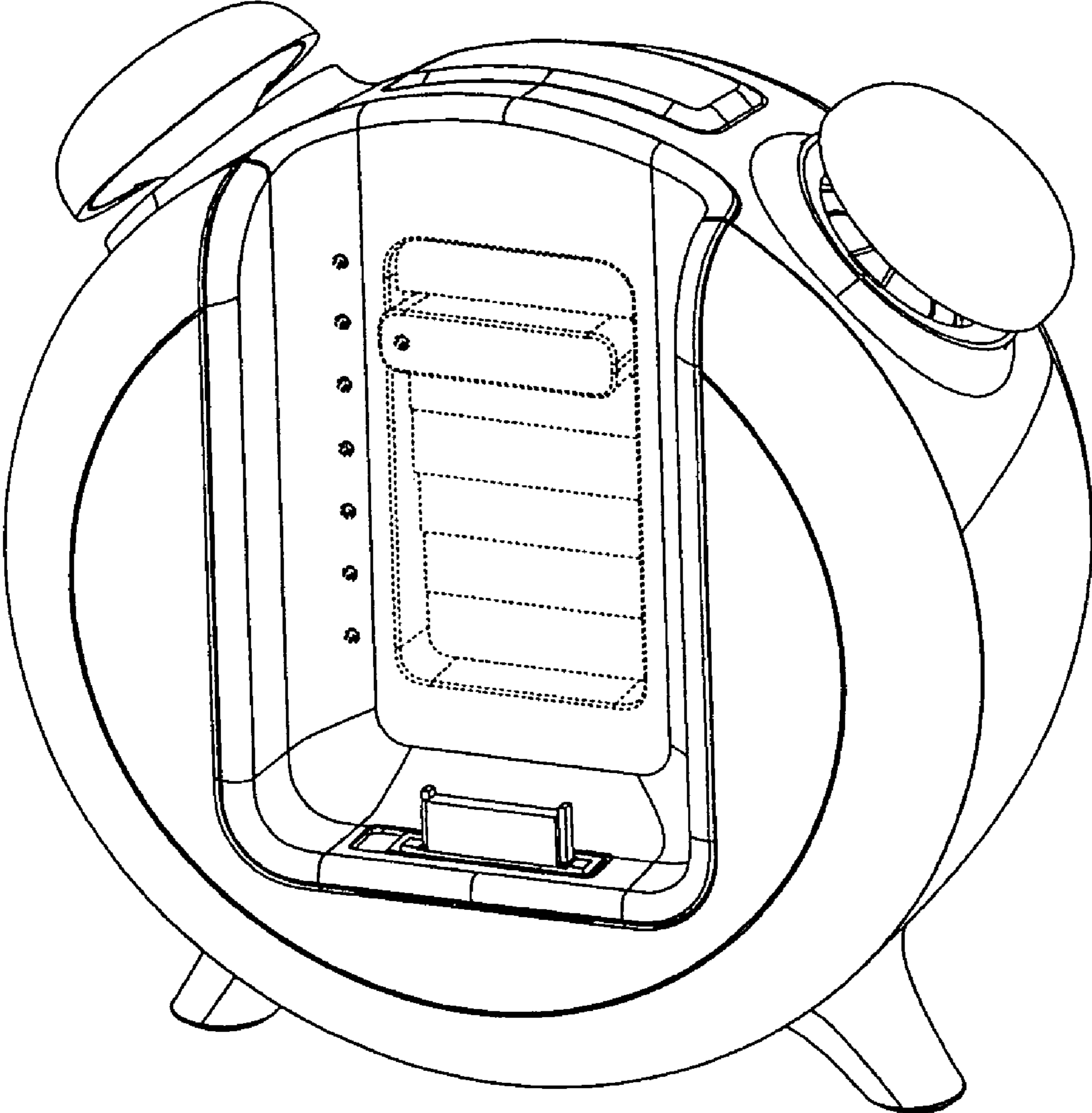


FIG. 1

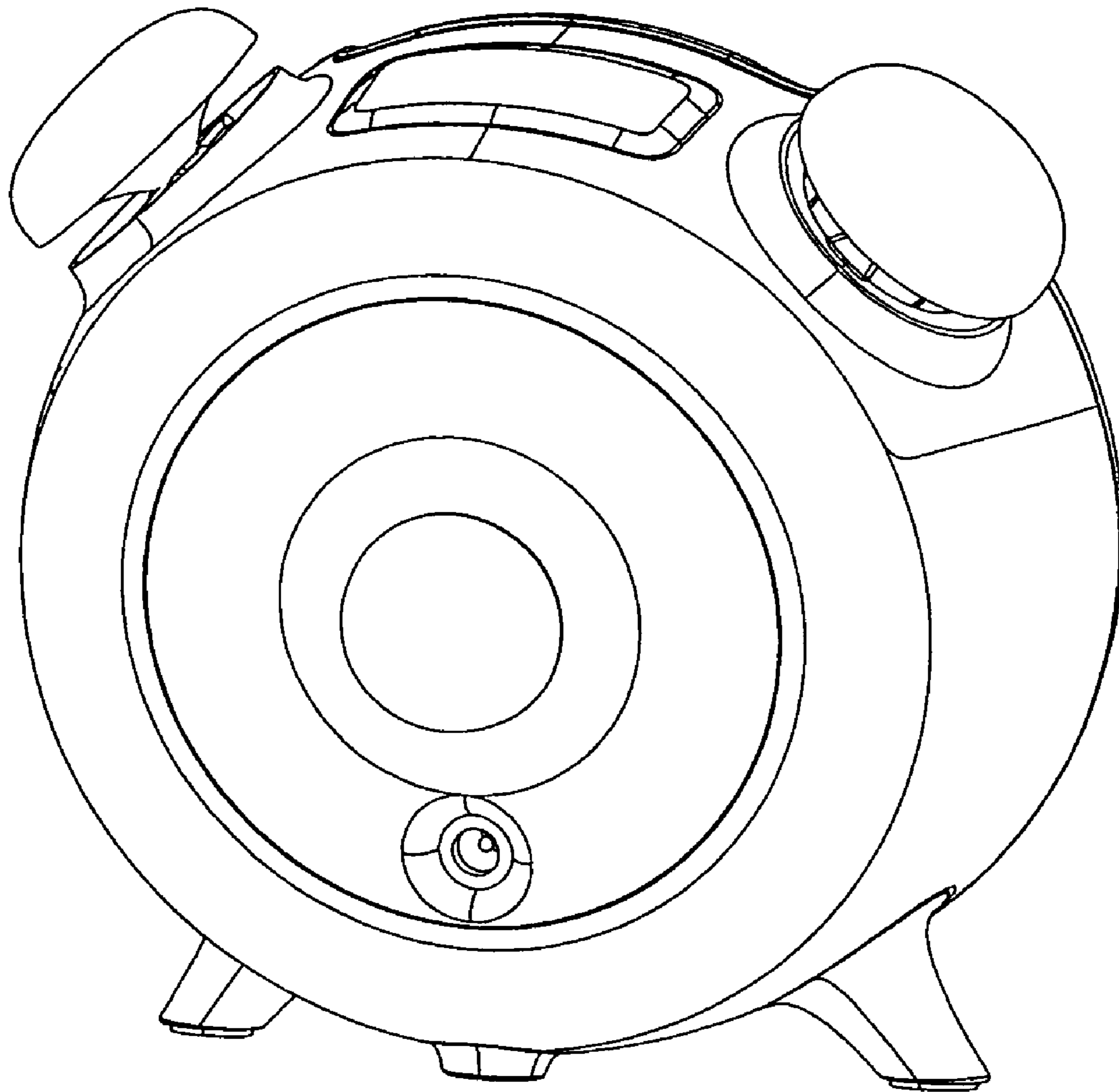


FIG. 2

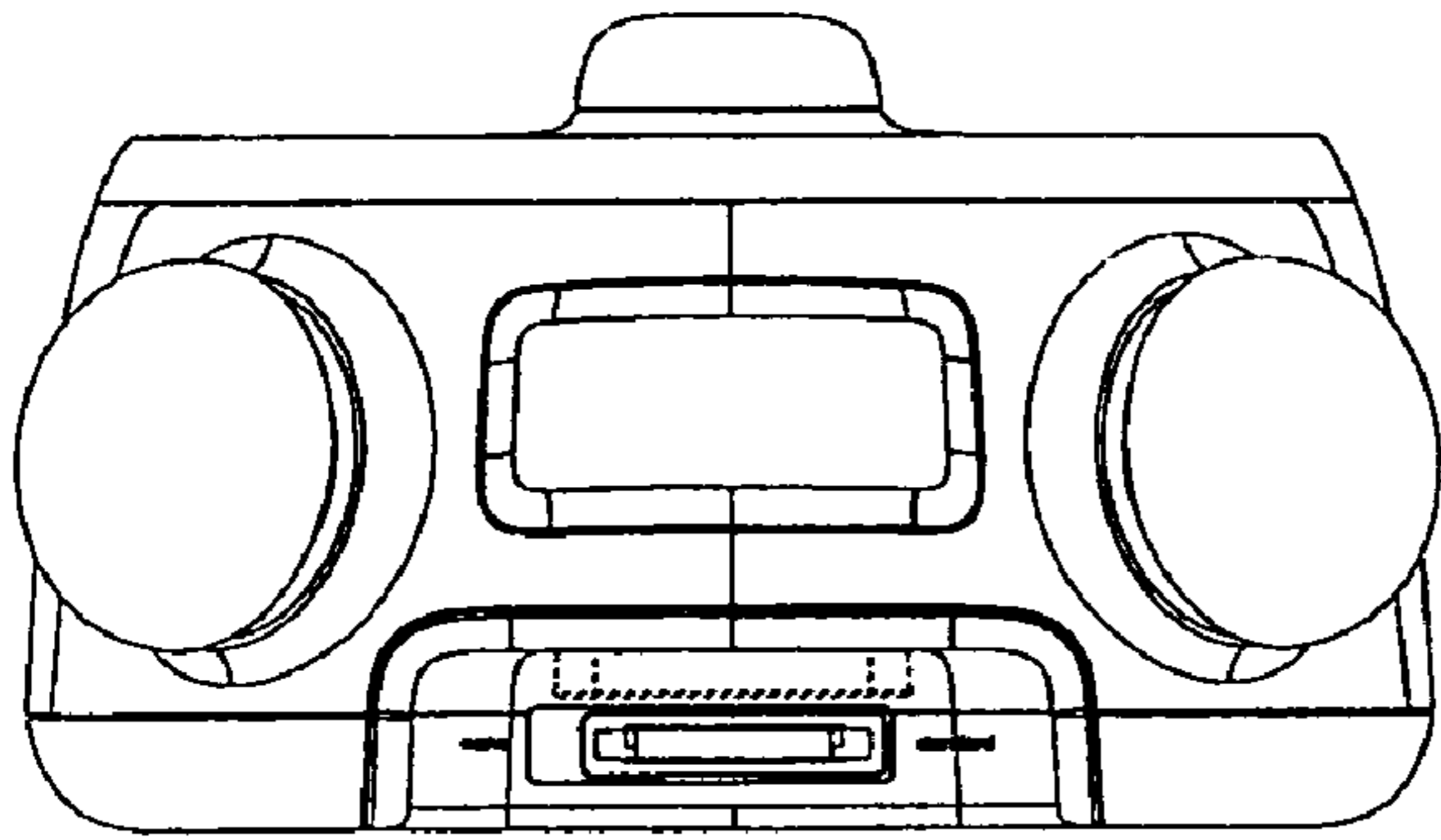


FIG. 5

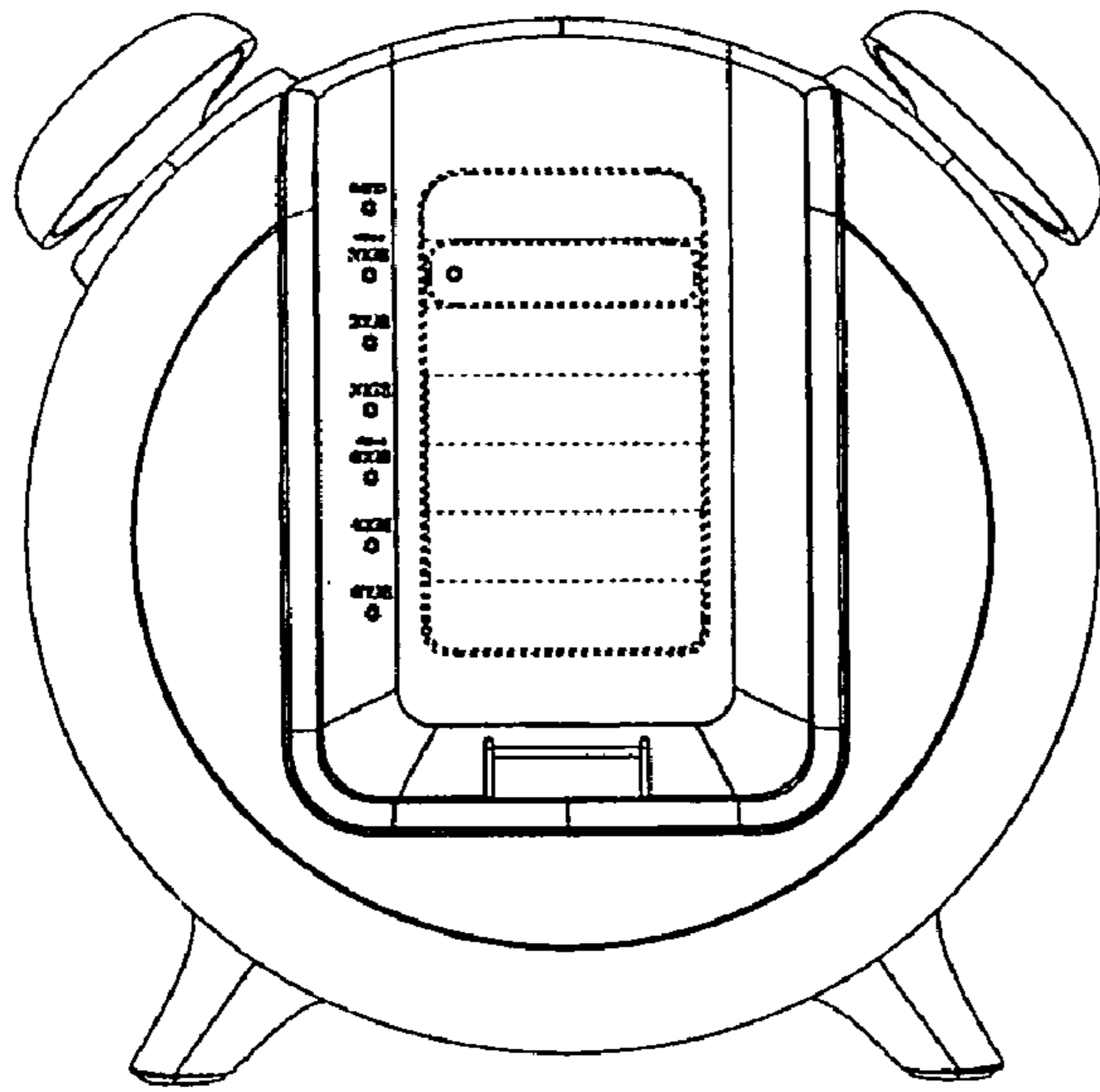


FIG. 3

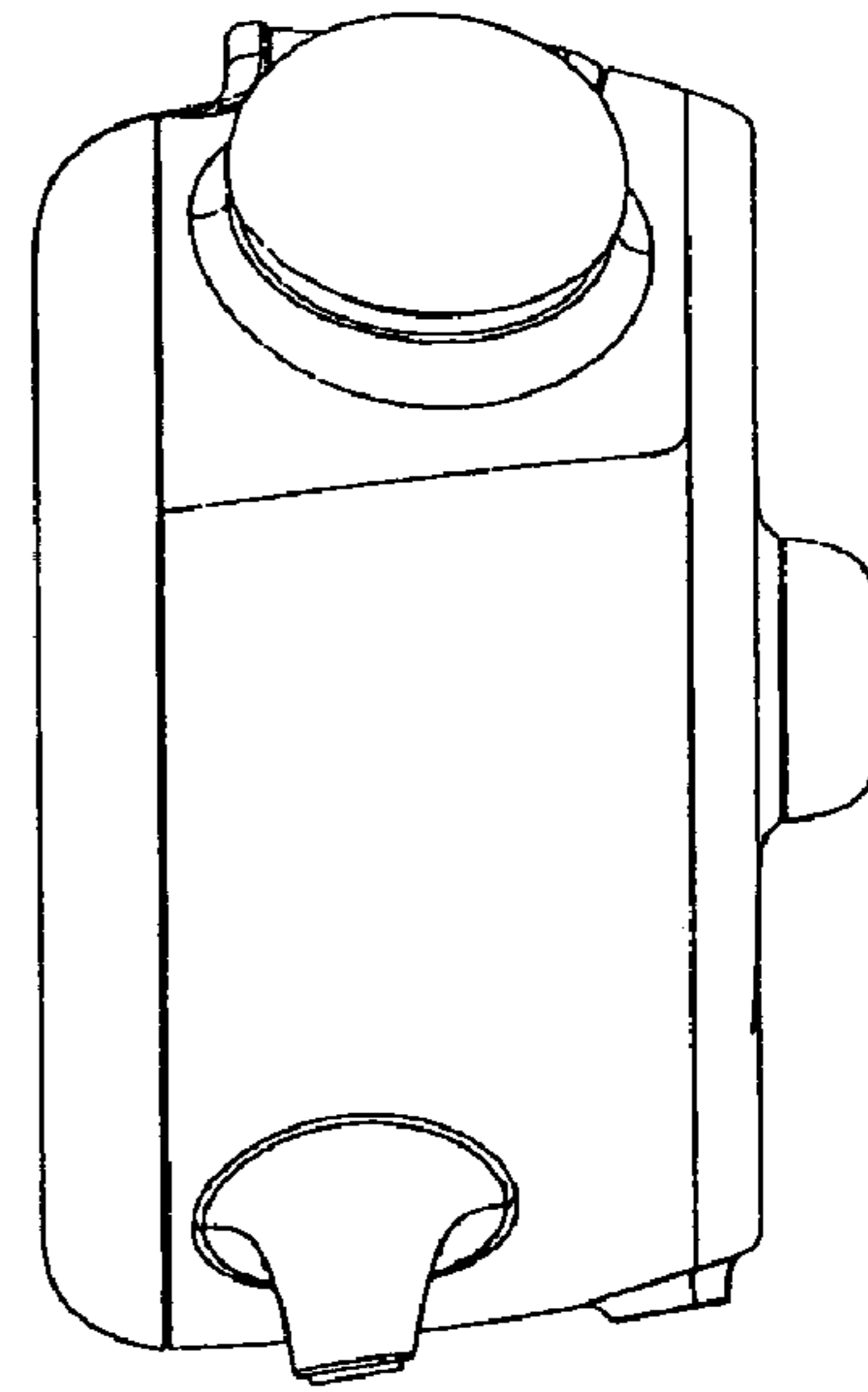


FIG. 4