

US00D546837S

(12) **United States Design Patent**
Yeo

(10) **Patent No.:** **US D546,837 S**

(45) **Date of Patent:** **** Jul. 17, 2007**

(54) **MP3 PLAYER**

(75) Inventor: **In Young Yeo**, Seoul (KR)

(73) Assignee: **Samsung Electronics Co., Ltd.** (KR)

(**) Term: **14 Years**

(21) Appl. No.: **29/253,290**

(22) Filed: **Feb. 3, 2006**

(30) **Foreign Application Priority Data**

Oct. 13, 2005 (KR) 30-2005-0034568

(51) **LOC (8) Cl.** **14-03**

(52) **U.S. Cl.** **D14/496**

(58) **Field of Classification Search** D14/496,
D14/401, 435, 474, 483, 217, 137, 138, 160,
D14/168; 345/156, 169, 173-179, 905; 715/727-729,
715/864; 455/11.1, 773, 344-347, 93, 95;
370/342-344; 369/1, 2, 6, 12; 463/43-47;
273/148 B

See application file for complete search history.

(56) **References Cited**

U.S. PATENT DOCUMENTS

- 5,349,525 A * 9/1994 Dunki-Jacobs et al. 600/437
- 5,825,408 A * 10/1998 Yuyama et al. 348/14.01
- D491,911 S * 6/2004 Jung D14/156
- D493,779 S * 8/2004 Lee D14/156
- D504,409 S * 4/2005 Kim D14/156

- D504,442 S * 4/2005 Kim D14/496
- 6,966,651 B2 * 11/2005 Johnson 353/15
- D512,404 S * 12/2005 Yang D14/156
- D521,023 S * 5/2006 Kim et al. D14/496
- D527,018 S * 8/2006 Christianson D14/496
- D532,425 S * 11/2006 Kim D14/496

* cited by examiner

Primary Examiner—Prabhakar Deshmukh

(74) *Attorney, Agent, or Firm*—Irving Keschner

(57) **CLAIM**

The ornamental design for MP3 player, as shown.

DESCRIPTION

FIG. 1 is a perspective view of a MP3 player showing my new design;

FIG. 2 is a front elevational view thereof;

FIG. 3 is a rear elevational view thereof;

FIG. 4 is a left side elevational view thereof;

FIG. 5 is a right side elevational view thereof;

FIG. 6 is a top plan view thereof;

FIG. 7 is a bottom plan view thereof; and,

FIG. 8 is an exploded view thereof, with the cap removed.

FIG. 8 in the drawings should be embraced with a bracket to show the relationship of the MP3 body with the cap as shown in the attached marked up print.

1 Claim, 7 Drawing Sheets

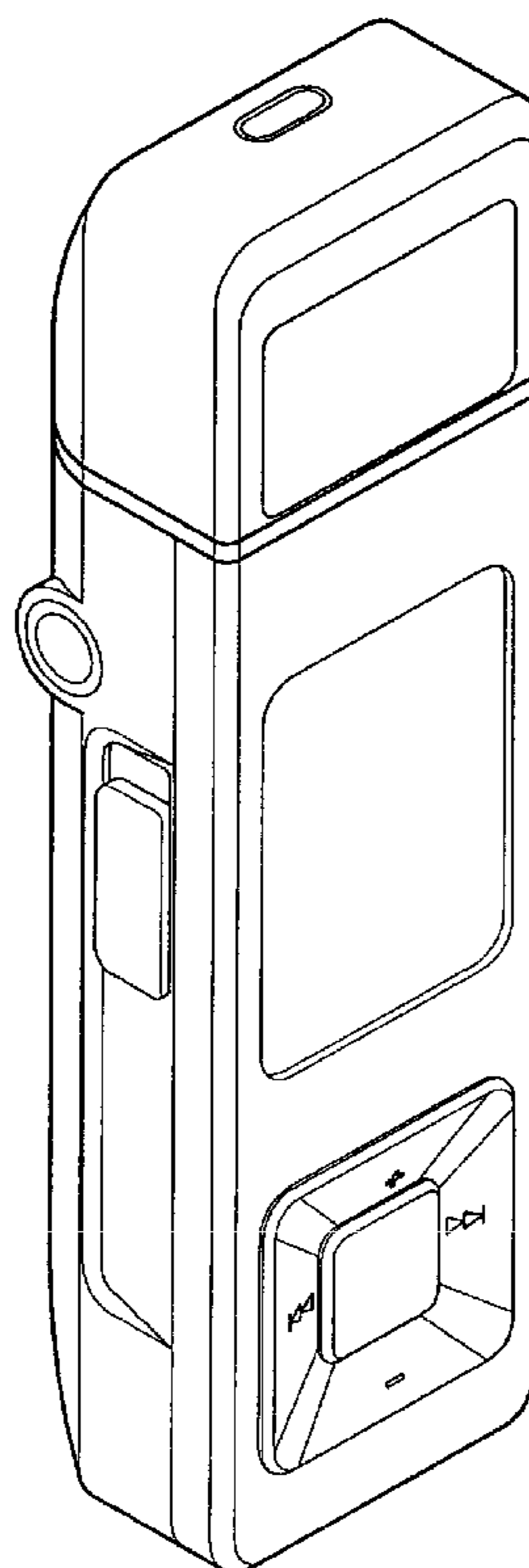


Fig. 1

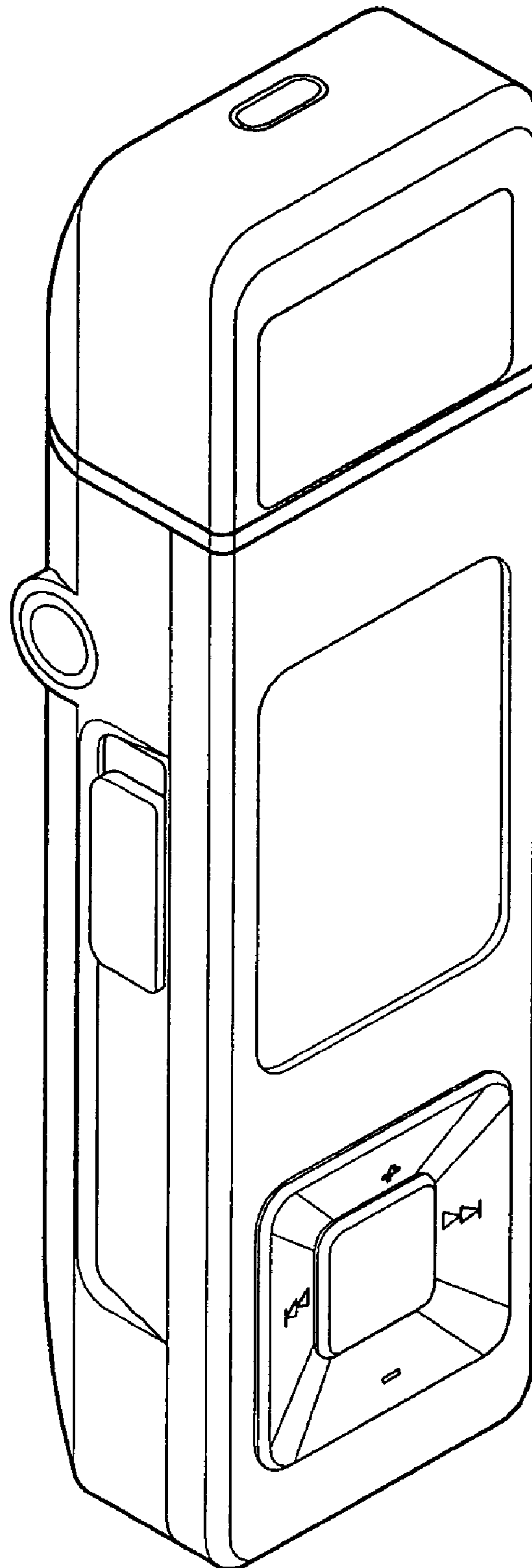


Fig. 2

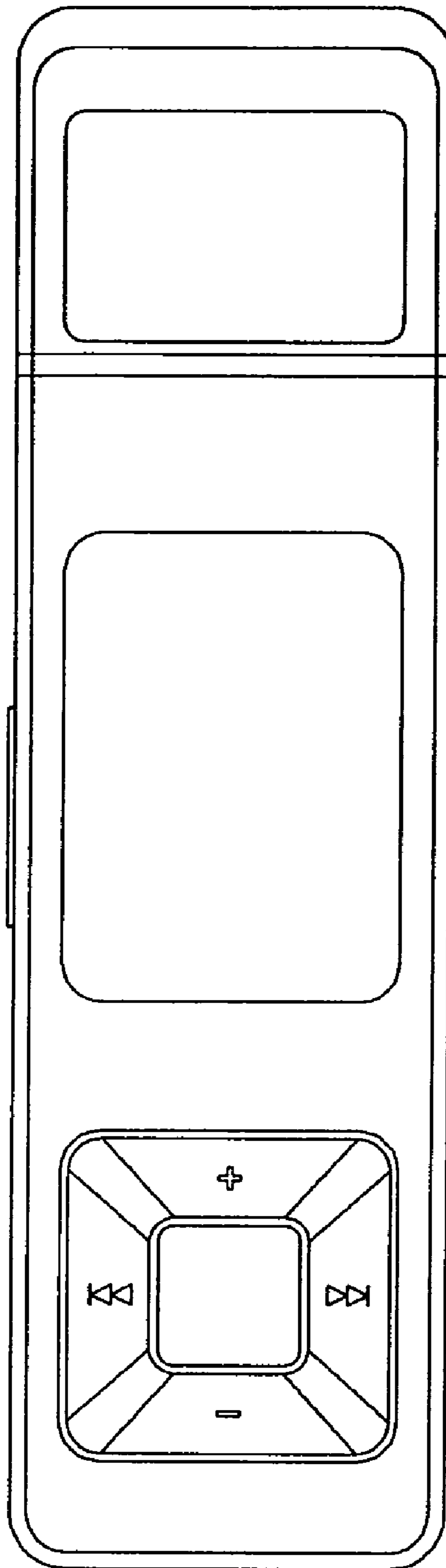


Fig. 3

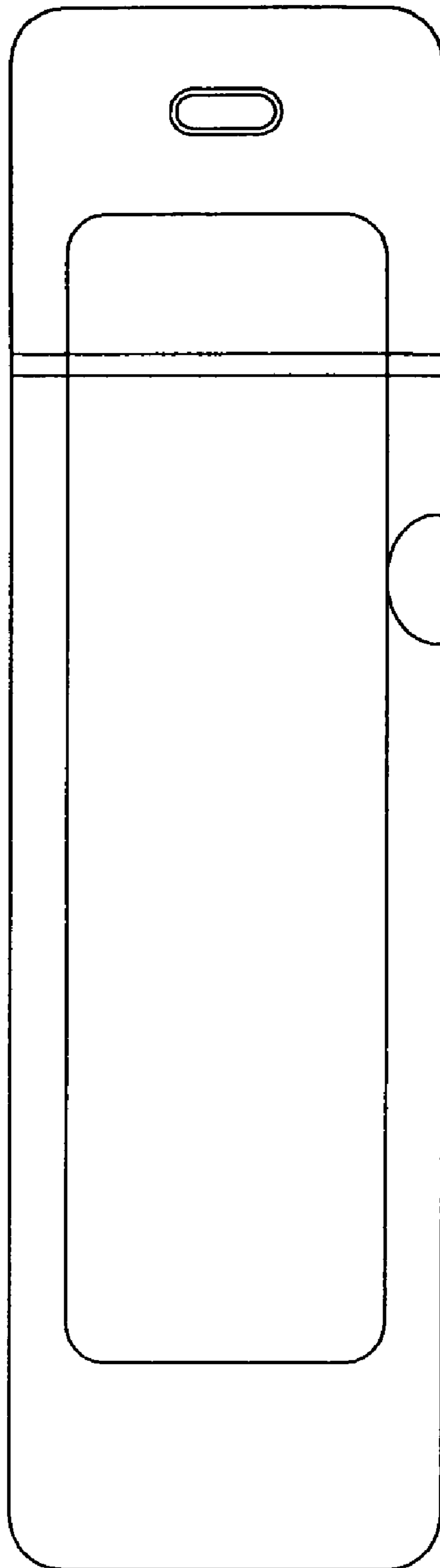


Fig. 4

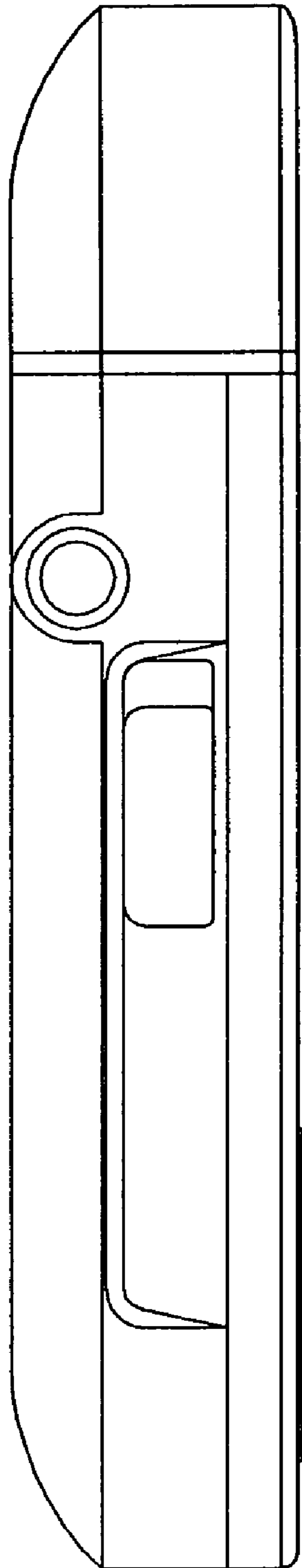


Fig. 5

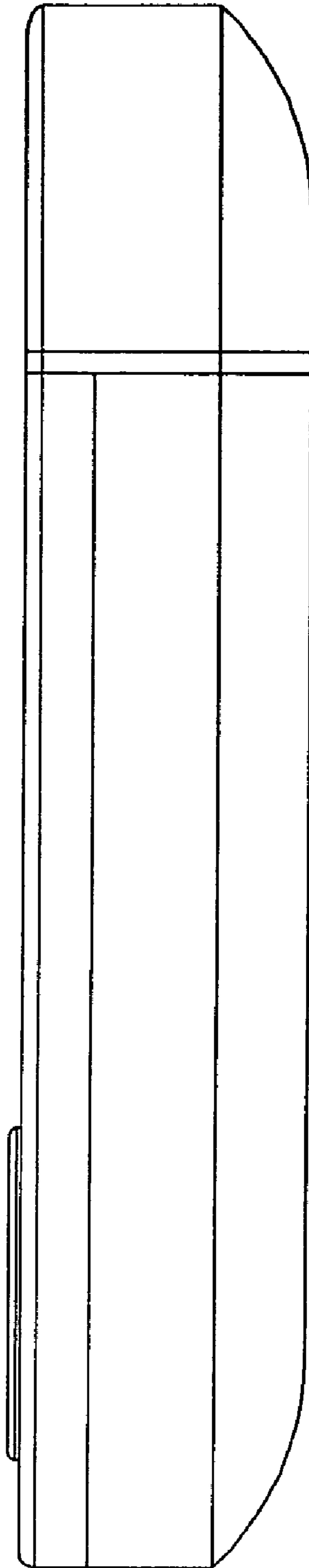


Fig. 6

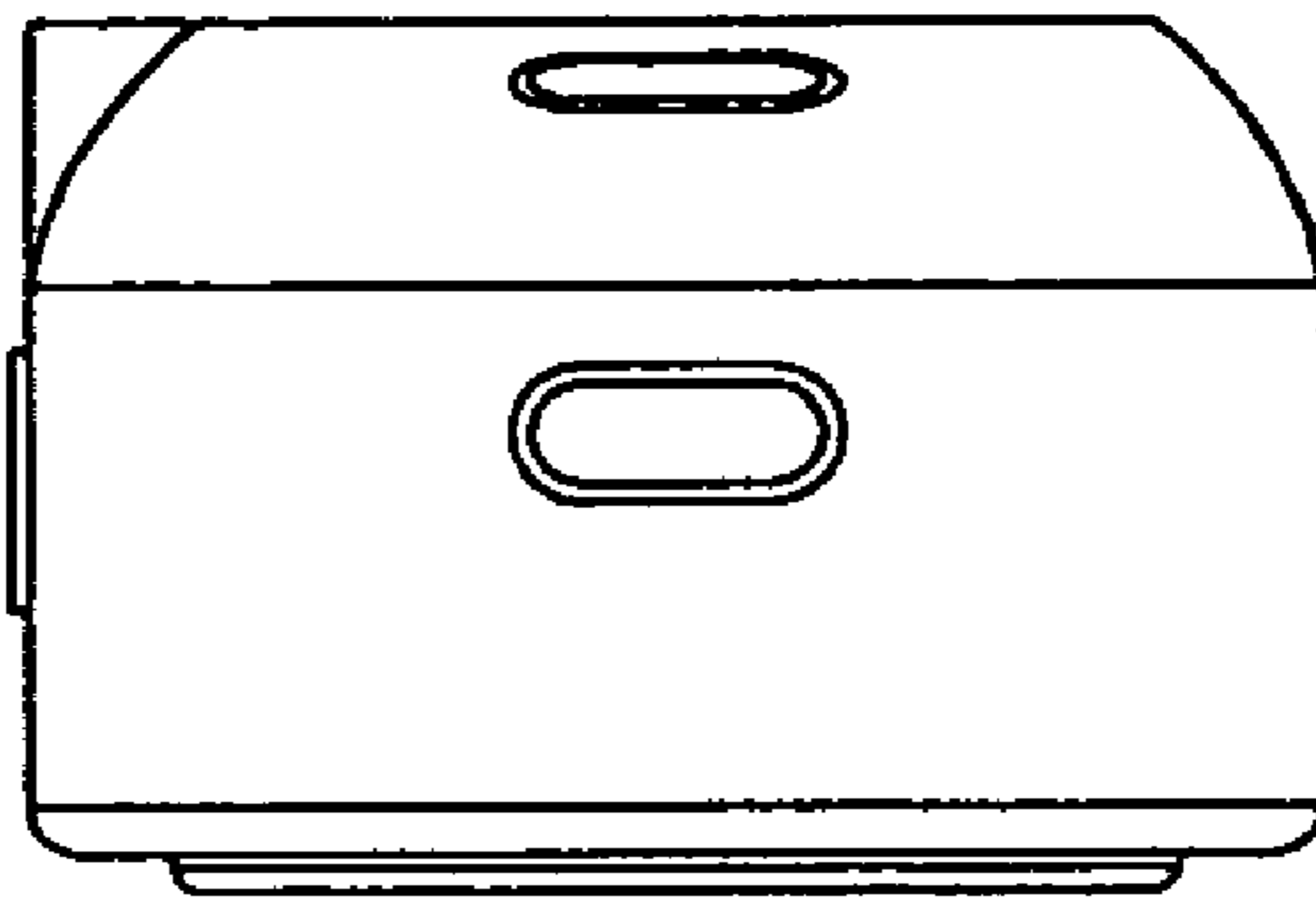


Fig. 7

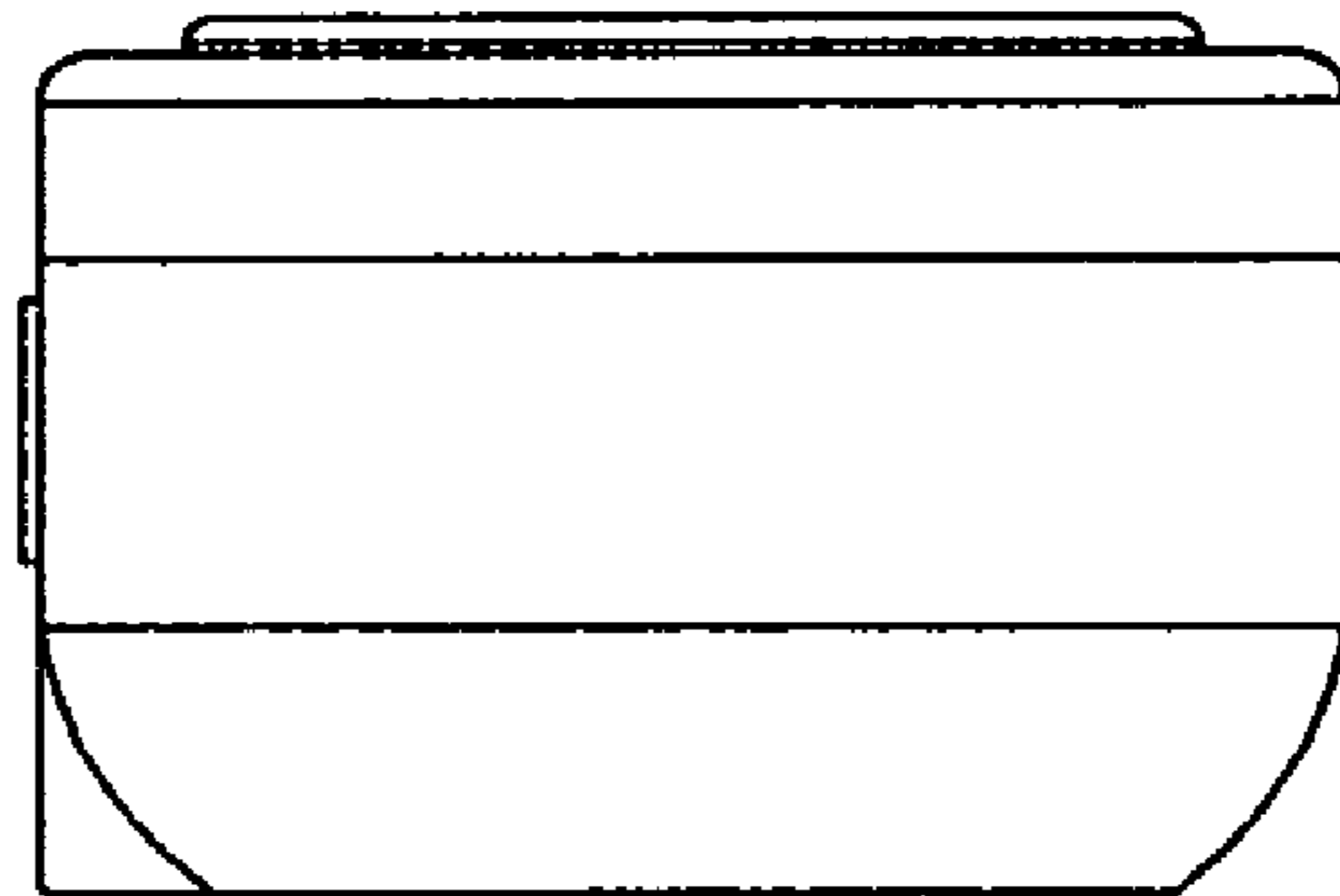


Fig. 8

