

US00D546824S

(12) **United States Design Patent**
Jackson, Jr.

(10) **Patent No.:** **US D546,824 S**
(45) **Date of Patent:** **** Jul. 17, 2007**

(54) **FLAT PANEL COMPUTER HAVING AN INTEGRALLY HOUSED FLAT PANEL DISPLAY**

(75) Inventor: **Louis R. Jackson, Jr.**, Tomball, TX (US)

(73) Assignee: **Hewlett-Packard Development Company, L.P.**, Houston, TX (US)

(**) Term: **14 Years**

(21) Appl. No.: **29/263,162**

(22) Filed: **Jul. 18, 2006**

Related U.S. Application Data

(60) Division of application No. 29/240,800, filed on Oct. 19, 2005, now Pat. No. Des. 529,490, which is a division of application No. 11/173,015, filed on Jun. 30, 2005, now Pat. No. 7,149,080, which is a continuation of application No. 09/832,387, filed on Apr. 11, 2001, now abandoned.

(51) **LOC (8) Cl.** **14-02**

(52) **U.S. Cl.** **D14/341; D14/371**

(58) **Field of Classification Search** D14/341, D14/371, 374-376, 125-129; 345/104, 156, 345/168, 173; 348/180, 184, 325, 739; 341/12; 349/1, 2, 11, 62; 361/680-686; 700/94; D18/4.6; 178/18.03

See application file for complete search history.

(56) **References Cited**

U.S. PATENT DOCUMENTS

4,832,419 A 5/1989 Mitchell et al.
4,980,676 A 12/1990 Nomura et al.

5,157,585 A 10/1992 Myers
5,331,509 A 7/1994 Kikinis
5,355,279 A 10/1994 Lee et al.
5,375,076 A 12/1994 Goodrich et al.
D356,548 S * 3/1995 Bottcher et al. D14/341
5,430,607 A 7/1995 Smith
5,443,237 A 8/1995 Stadtmauer
5,495,389 A 2/1996 Dewitt et al.
5,598,318 A 1/1997 Dewitt et al.

(Continued)

FOREIGN PATENT DOCUMENTS

DE 29616175 12/1996

OTHER PUBLICATIONS

U.S. Appl. No. 29/240,800, filed Oct. 19, 2005, Jackson.

(Continued)

Primary Examiner—Freda S. Nunn

(57) **CLAIM**

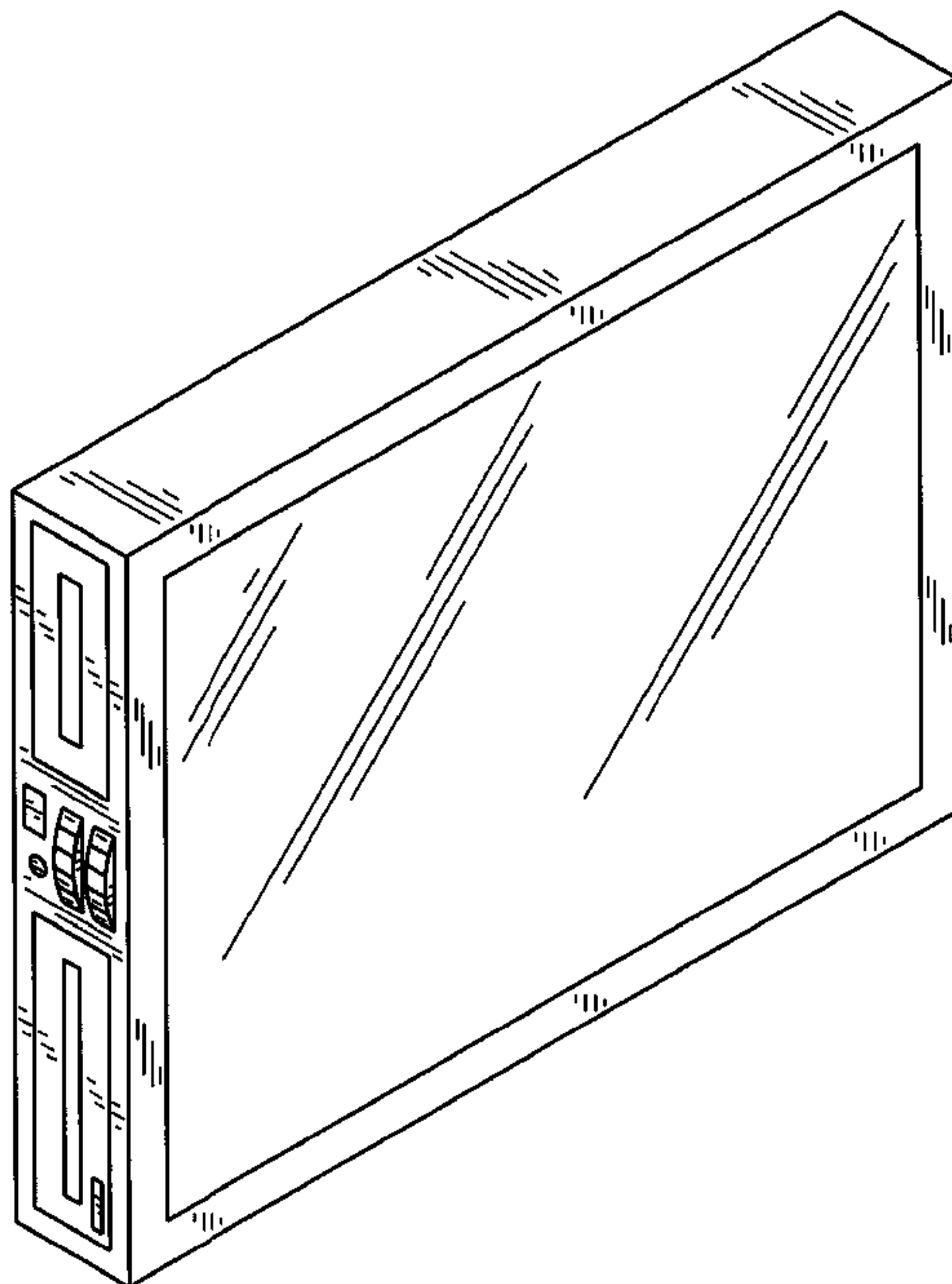
The ornamental design for a flat panel computer having an integrally housed flat panel display, as shown and described.

DESCRIPTION

The FIGURE is a perspective view of the design for the flat panel computer having an integrally housed flat panel display, wherein the flat panel computer includes a disc receptacle of a disc drive, and a floppy disk drive, a volume dial, a display adjustment dial, a power button, and a reset button.

In these drawings, the solid lines illustrate the claimed ornamental design, whereas the broken lines illustrate environmental features that form no part of the claimed ornamental design of the subject embodiment.

1 Claim, 1 Drawing Sheet



US D546,824 S

Page 2

U.S. PATENT DOCUMENTS

5,610,798	A	3/1997	Lochridge	6,366,452	B1	4/2002	Wang et al.
5,646,819	A	7/1997	Hill, III	6,396,472	B1	5/2002	Jacklin
5,661,630	A	8/1997	Levins et al.	6,480,243	B2	11/2002	Yamamoto
5,673,169	A	9/1997	Wicks	6,519,146	B2	2/2003	Nagashima et al.
D384,832	S	10/1997	Senturia et al.	6,560,094	B2	5/2003	Schmidt
5,673,982	A	10/1997	Chase et al.	6,590,151	B1	7/2003	Merk et al.
5,683,068	A	11/1997	Chase et al.	6,600,647	B1	7/2003	Girvin et al.
5,786,983	A	7/1998	Brenner et al.	6,667,759	B2	12/2003	Gerszberg et al.
5,793,359	A	8/1998	Ushikubo	D493,816	S *	8/2004	Butler D18/4.6
5,831,817	A	11/1998	Chang	D494,583	S *	8/2004	Guerrera et al. D14/336
D404,025	S	1/1999	Van Horne et al.	6,798,655	B2	9/2004	Nagashima et al.
5,880,928	A	3/1999	Ma	D497,362	S *	10/2004	Wang et al. D14/371
6,016,248	A	1/2000	Anzai et al.	6,823,415	B1	11/2004	Asaad et al.
D424,068	S *	5/2000	Takemasa D14/374	D502,152	S *	2/2005	Peng D14/126
6,097,593	A	8/2000	Faranda et al.	D504,427	S *	4/2005	Hsu Li D14/371
6,157,958	A	12/2000	Armitage et al.	7,019,961	B2	3/2006	Misawa
6,219,229	B1	4/2001	Lee	2002/0188363	A1	12/2002	Ashy
6,246,573	B1	6/2001	Khan et al.	2005/0052837	A1 *	3/2005	Kota et al. 361/683
6,256,192	B1	7/2001	Shannon	2005/0243505	A1	11/2005	Jackson
6,282,082	B1	8/2001	Armitage et al.				
6,290,349	B1	9/2001	Silverbrook et al.				
6,301,101	B1	10/2001	Anzai et al.				
6,335,861	B1	1/2002	Ramsey et al.				
6,353,529	B1	3/2002	Cies				

OTHER PUBLICATIONS

U.S. Appl. No. 29/240,799, filed Oct. 19, 2005, Jackson.
IEEE 100 The Authoritative Dictionary of IEEE Standards Terms,
Seventh Edition, p. 812.

* cited by examiner

