



US00D546813S

(12) **United States Design Patent** (10) **Patent No.:** **US D546,813 S**
Lewis (45) **Date of Patent:** **** Jul. 17, 2007**

(54) **MUSIC SYSTEM**

(75) Inventor: **David Lewis**, Copenhagen (DK)

(73) Assignee: **Bang & Olufsen a/s**, Struer (DK)

(**) Term: **14 Years**

(21) Appl. No.: **29/238,844**

(22) Filed: **Sep. 22, 2005**

(30) **Foreign Application Priority Data**

Mar. 22, 2005 (DK) DA 2005 00100

(51) **LOC (8) Cl.** **14-01**

(52) **U.S. Cl.** **D14/168; D14/196**

(58) **Field of Classification Search** D14/135-136,
D14/156, 167-168, 188, 196, 496; 360/99.02,
360/99.07; 369/75.11, 75.21, 77.21, 77.11;
720/612, 619, 647, 655; 455/344, 347-351
See application file for complete search history.

(56) **References Cited**

U.S. PATENT DOCUMENTS

D450,047 S * 11/2001 Kim D14/156
D451,084 S * 11/2001 Su D14/188
D482,675 S * 11/2003 Carbone D14/214
D504,409 S * 4/2005 Kim D14/156

* cited by examiner

Primary Examiner—Nanda Bondade

(74) *Attorney, Agent, or Firm*—Buchanan Ingersoll & Rooney PC

(57) **CLAIM**

The ornamental design for a music system, as shown and described.

DESCRIPTION

FIG. 1 is a front, side perspective view of a music system showing my new design;

FIG. 2 is a rear, side perspective view thereof;

FIG. 3 is a front elevational view thereof;

FIG. 4 is a rear elevational view thereof;

FIG. 5 is a right side elevational view thereof;

FIG. 6 is a left side elevational view thereof;

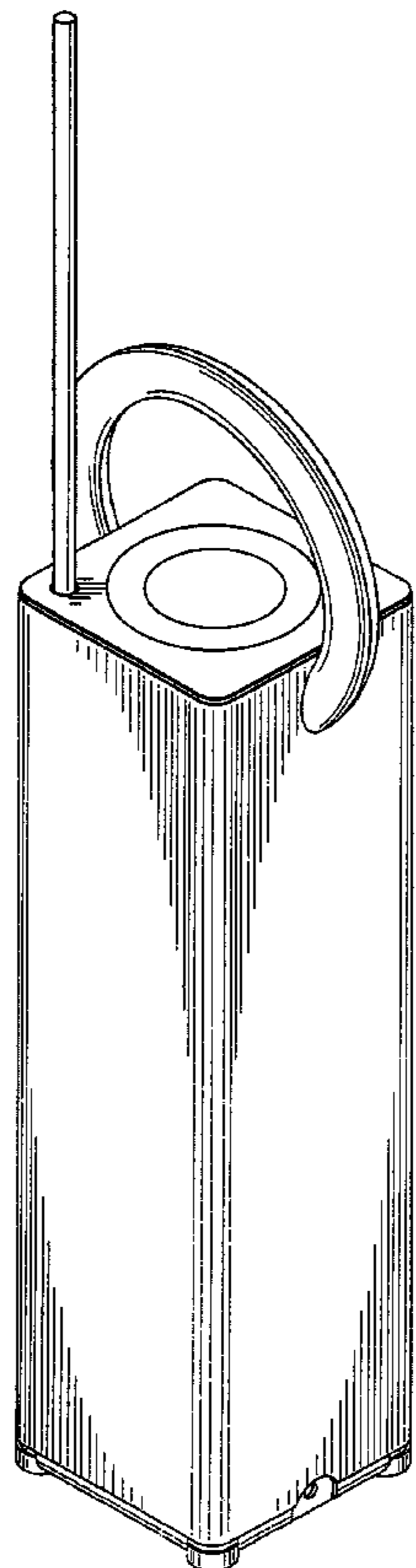
FIG. 7 is a top plan view thereof;

FIG. 8 is a bottom plan view thereof;

FIG. 9 is the front, side perspective view of FIG. 1 of the music system with the antenna shown in a retracted position; and,

FIG. 10 is the front, side perspective view of FIG. 1 of the music system with the handle shown in the lower position.

1 Claim, 10 Drawing Sheets



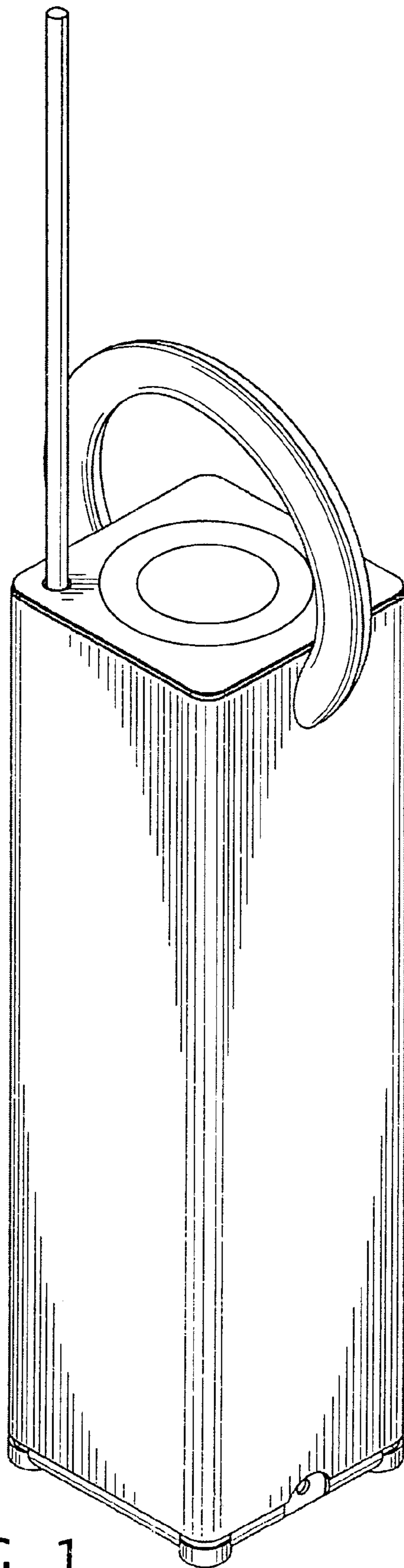


FIG. 1

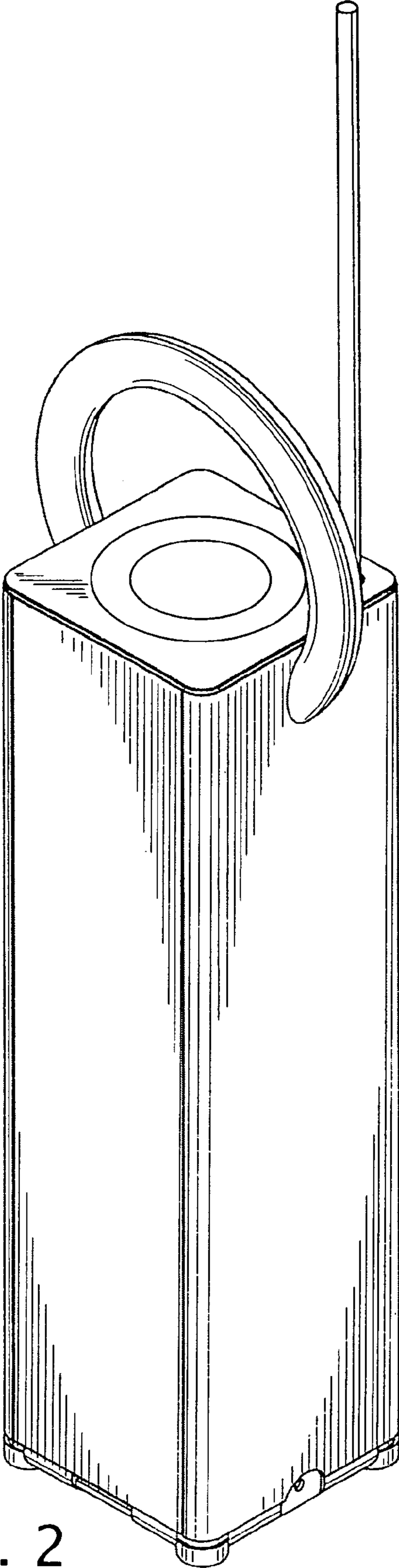


FIG. 2

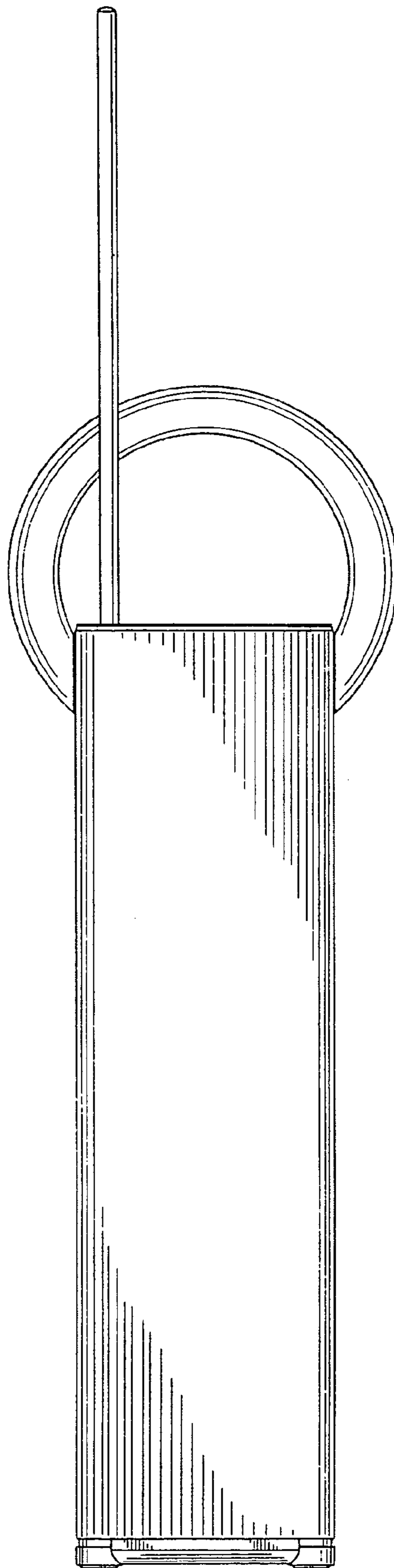


FIG. 3

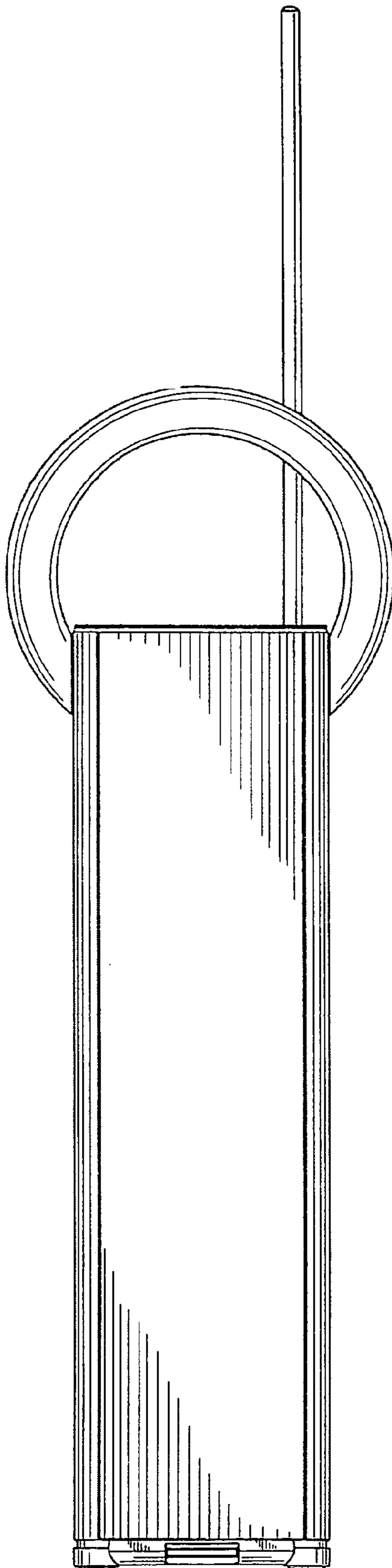


FIG. 4

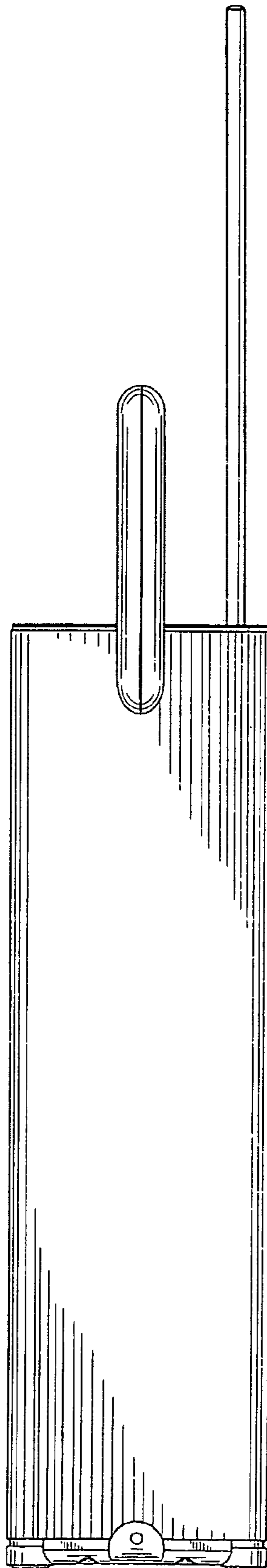


FIG. 5

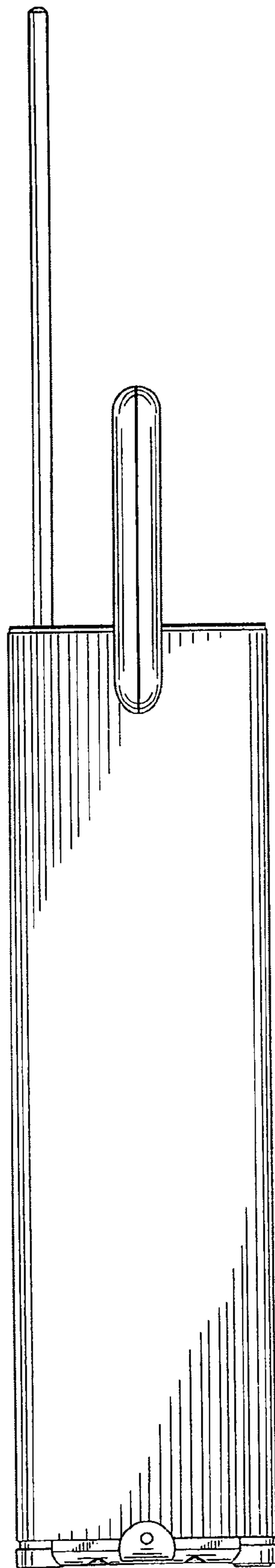


FIG. 6

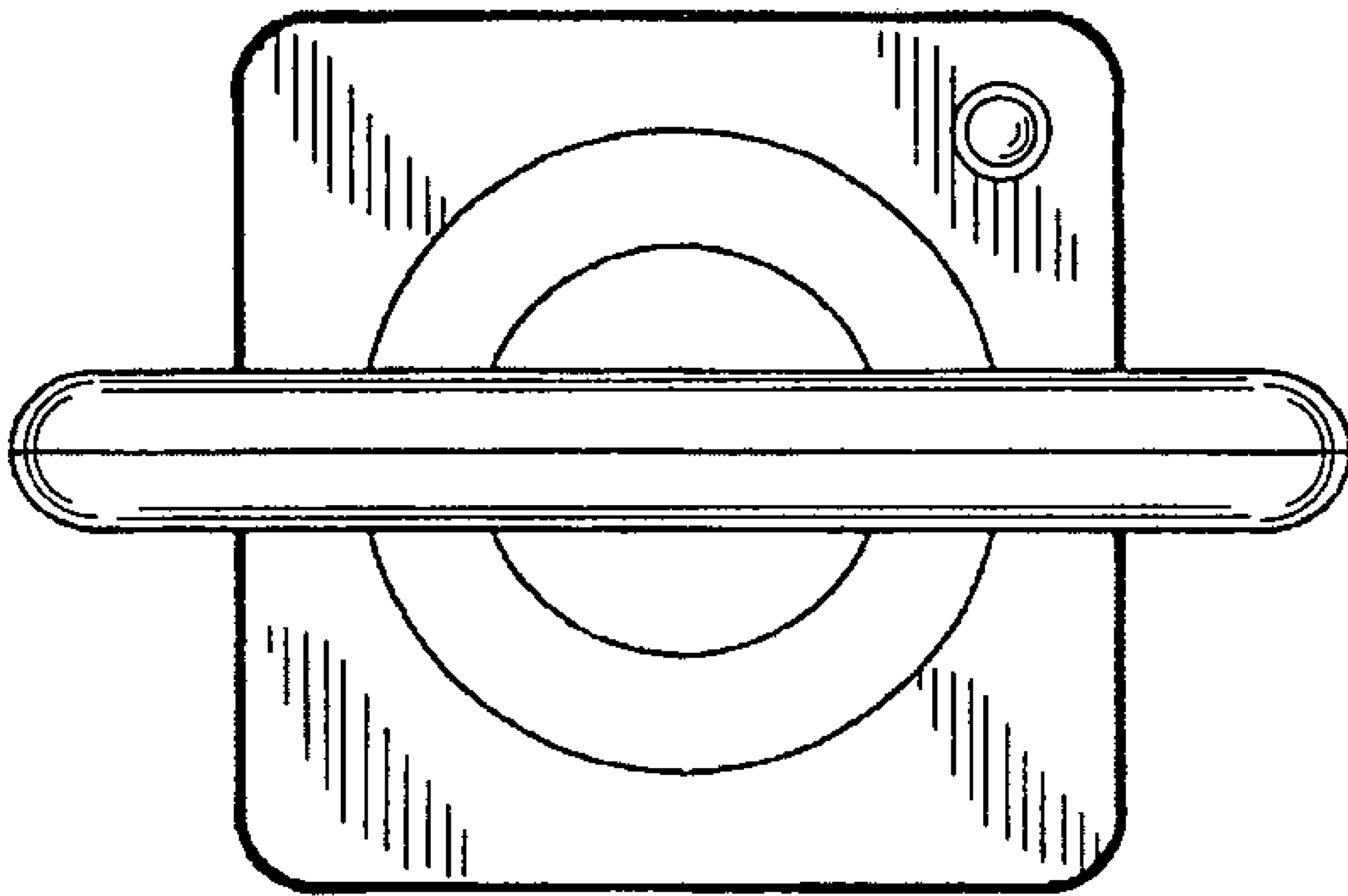


FIG. 7

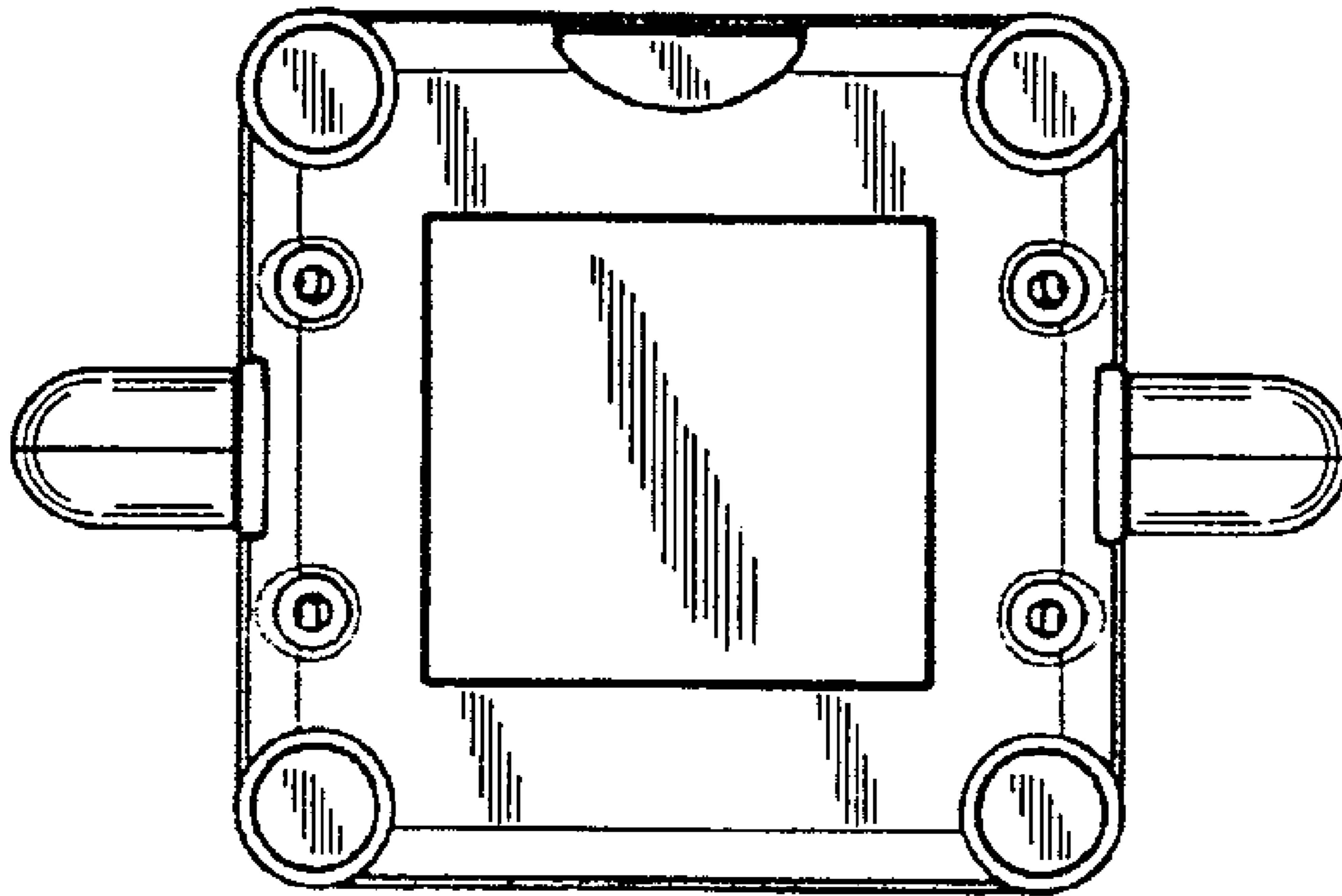


FIG. 8

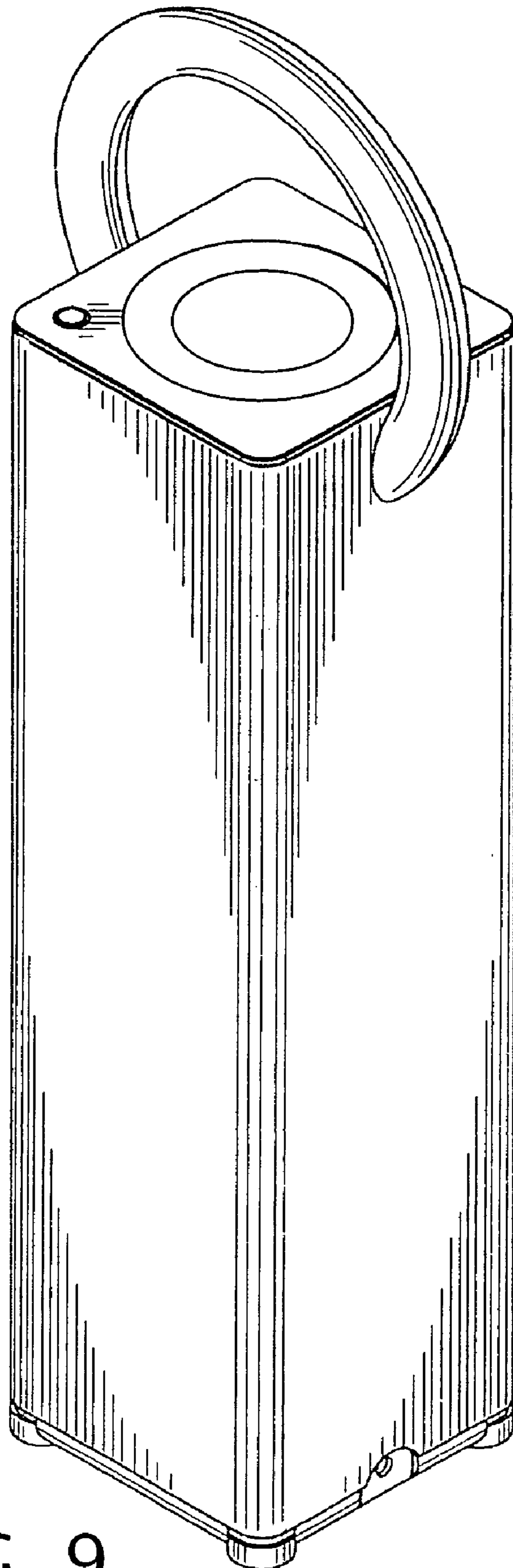


FIG. 9

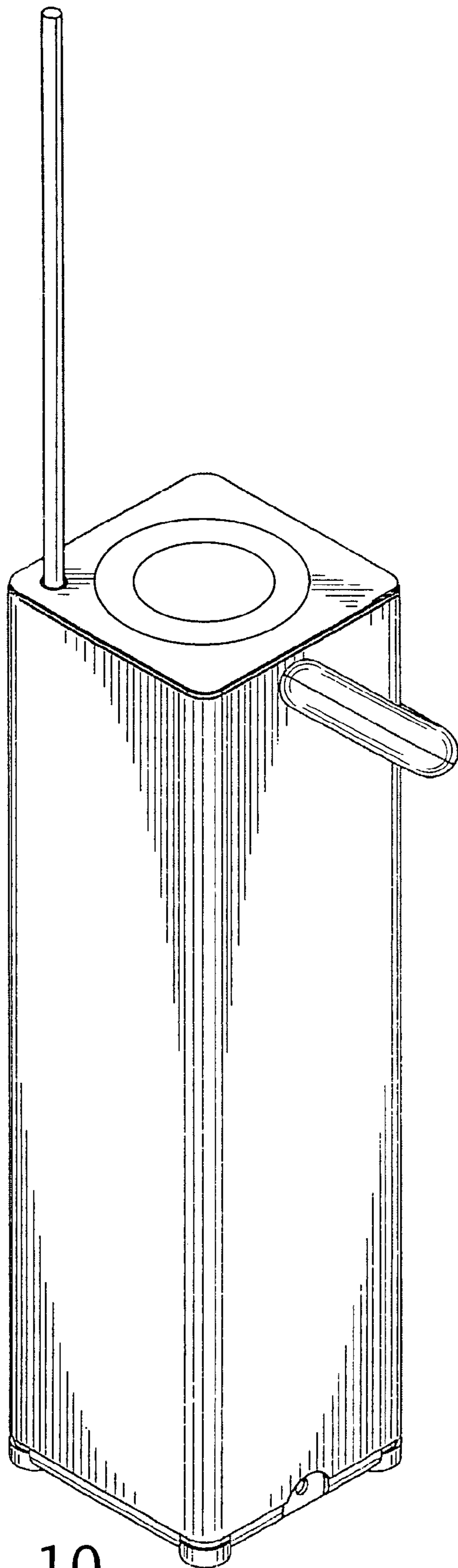


FIG. 10