

US00D546812S

(12) **United States Design Patent** (10) **Patent No.:** **US D546,812 S**
Hirose et al. (45) **Date of Patent:** **** Jul. 17, 2007**

(54) **DIGITAL AUDIO DISK PLAYER**

OTHER PUBLICATIONS

(75) Inventors: **Ryuichirou Hirose**, Osaka (JP); **Toshio Kiuchi**, Osaka (JP)

Panasonic Consumer Electronics Company, 2004 Personal Audio SL-MP75, Brochure, 4 Pages.

(73) Assignee: **Matsushita Electric Industrial Co., Ltd.**, Osaka (JP)

* cited by examiner

(**) Term: **14 Years**

Primary Examiner—Nanda Bondade

(21) Appl. No.: **29/251,767**

(74) *Attorney, Agent, or Firm*—Brinks Hofer Gilson & Lione

(22) Filed: **Jan. 12, 2006**

(57) **CLAIM**

(51) **LOC (8) Cl.** **14-01**

We claim the ornamental design for a digital audio disk player, as shown and described.

(52) **U.S. Cl.** **D14/156**

DESCRIPTION

(58) **Field of Classification Search** D14/135–136, D14/156, 160–165, 167–168, 188, 217, 496, D14/445; 360/99.02, 99.07; 369/75.11, 369/75.21, 77.21, 77.11; 720/612, 619, 647, 720/655; 455/344, 347–351

FIG. 1 is a top perspective view of a first embodiment of a digital audio disk player of the present invention;

FIG. 2 is a front view thereof;

FIG. 3 is a first side view thereof;

FIG. 4 is a top view thereof;

FIG. 5 is a second side view thereof;

FIG. 6 is a rear view thereof;

FIG. 7 is a bottom view thereof;

FIG. 8 is a top perspective view of a second embodiment of a digital audio disk player of the present invention;

FIG. 9 is a front view thereof;

FIG. 10 is a first side view thereof;

FIG. 11 is a top view thereof;

FIG. 12 is a second side view thereof;

FIG. 13 is a rear view thereof; and,

FIG. 14 is a bottom view thereof.

See application file for complete search history.

The ornamental design which is claimed is shown in solid lines in the drawings. Any broken lines in the drawings are for illustrative purposes only and form no part of the claimed design.

(56) **References Cited**

U.S. PATENT DOCUMENTS

D451,080 S	*	11/2001	Kataoka	D14/156
D471,528 S		3/2003	Wada et al.		
D471,885 S		3/2003	Wada		
D474,757 S		5/2003	Takagi		
D475,035 S		5/2003	Takagi		
D482,672 S	*	11/2003	Takagi	D14/156
D488,796 S		4/2004	Hirano		
D499,080 S		11/2004	Matsuoka		
D503,701 S	*	4/2005	Suzuki	D14/156

FOREIGN PATENT DOCUMENTS

EM	000187703-0015	6/2004
EM	000187703-0041	6/2004
EM	000187711-0012	7/2004
JP	D1231683	2/2005
JP	D1231684	2/2005
JP	D1231685	2/2005
JP	D1243145	6/2005

1 Claim, 6 Drawing Sheets

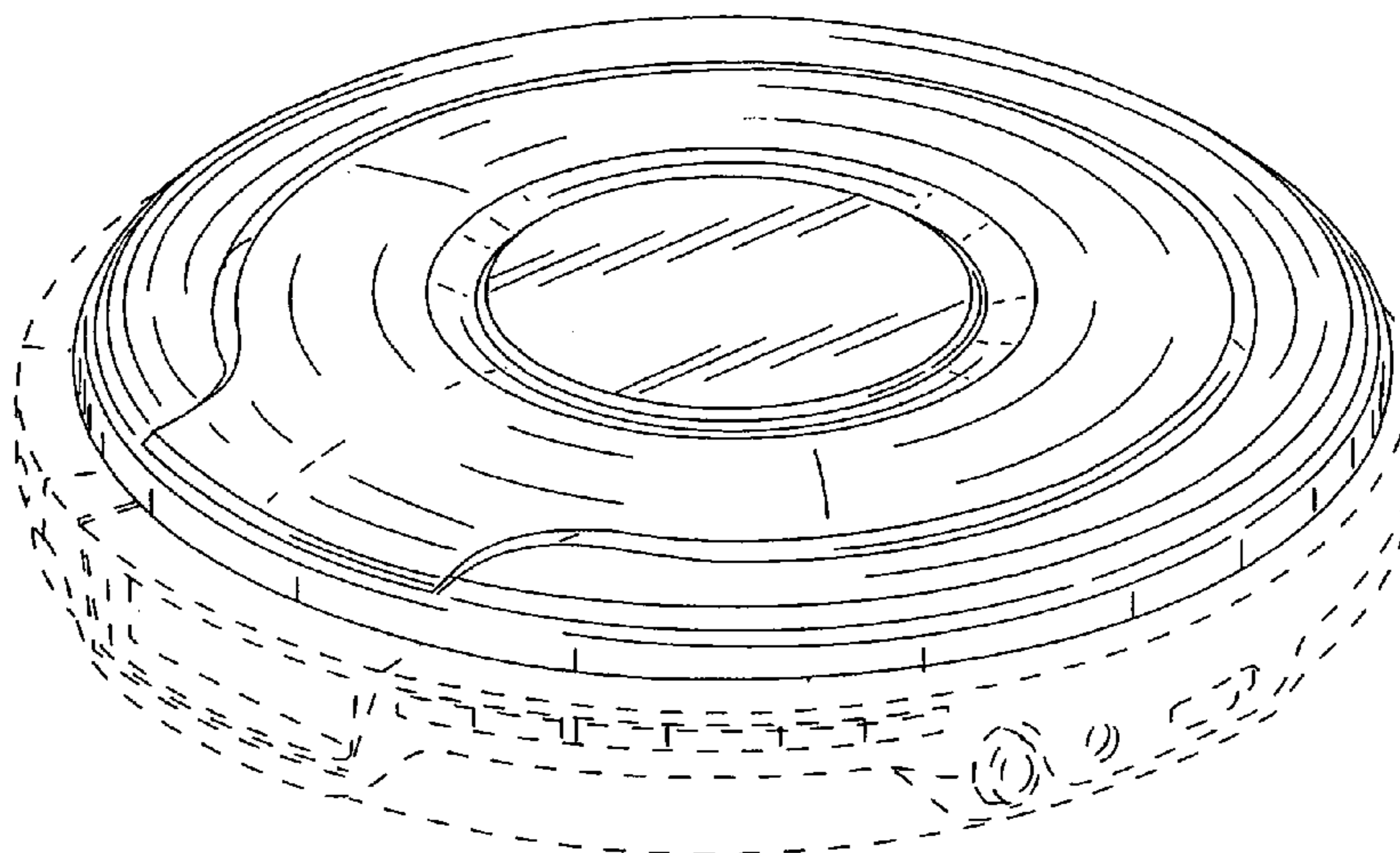


FIG.1

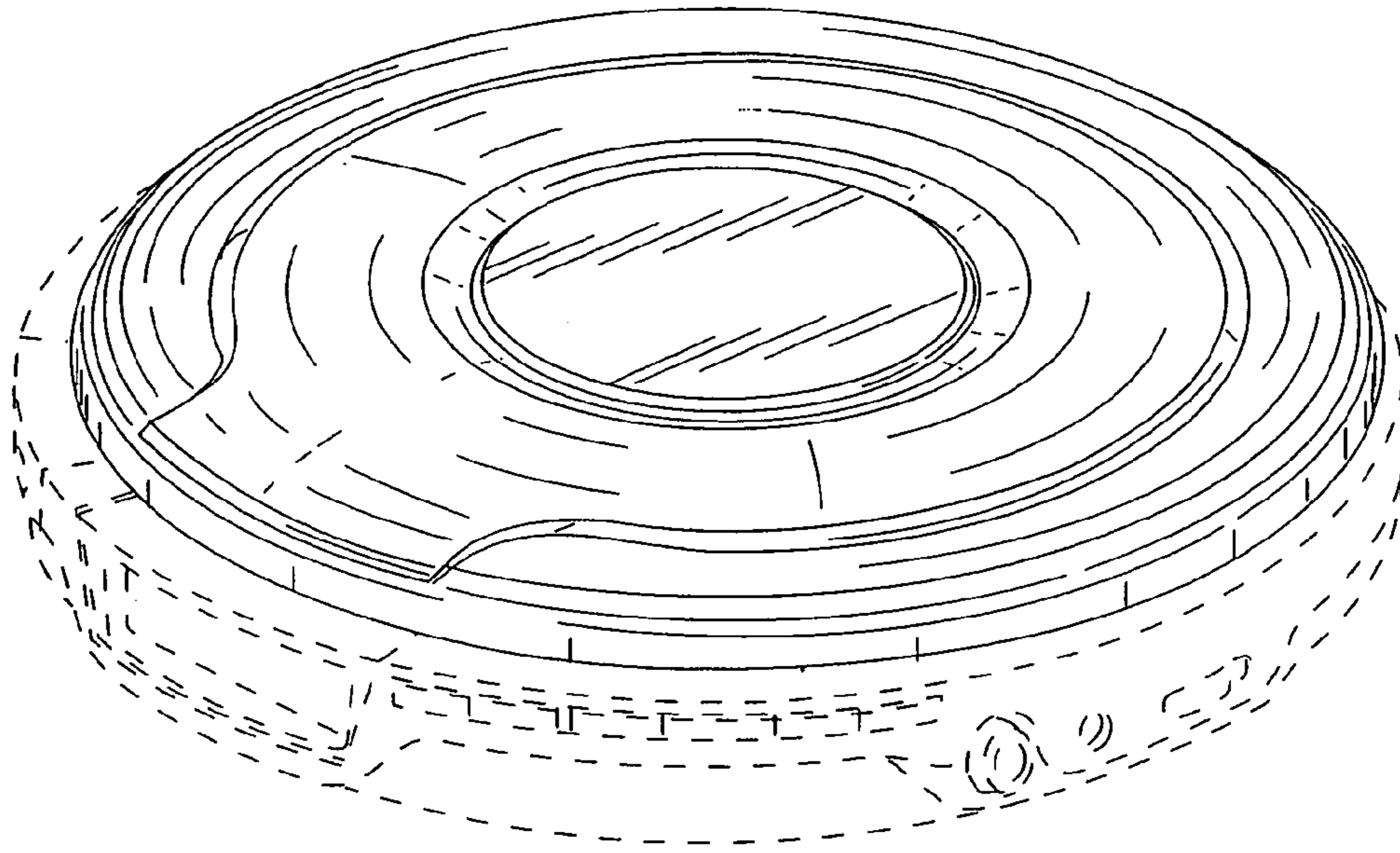


FIG.2

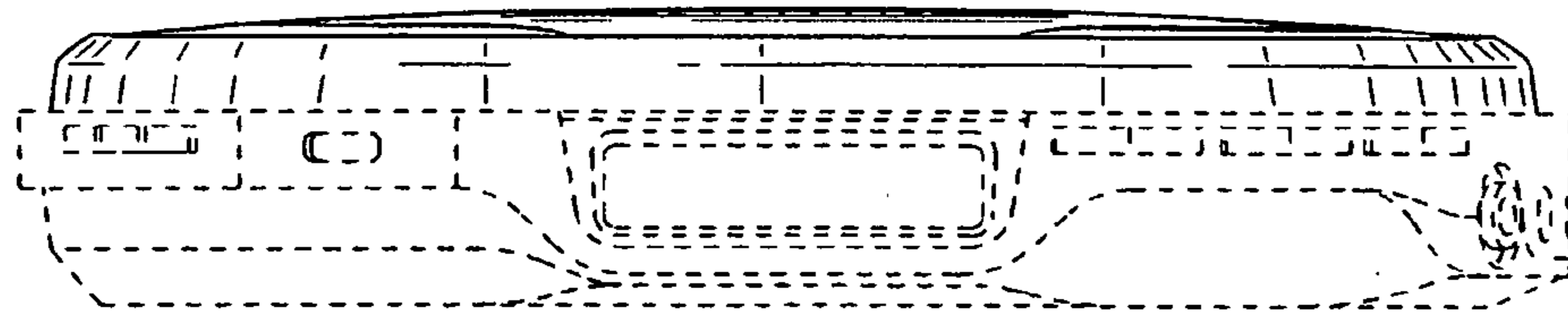


FIG.3

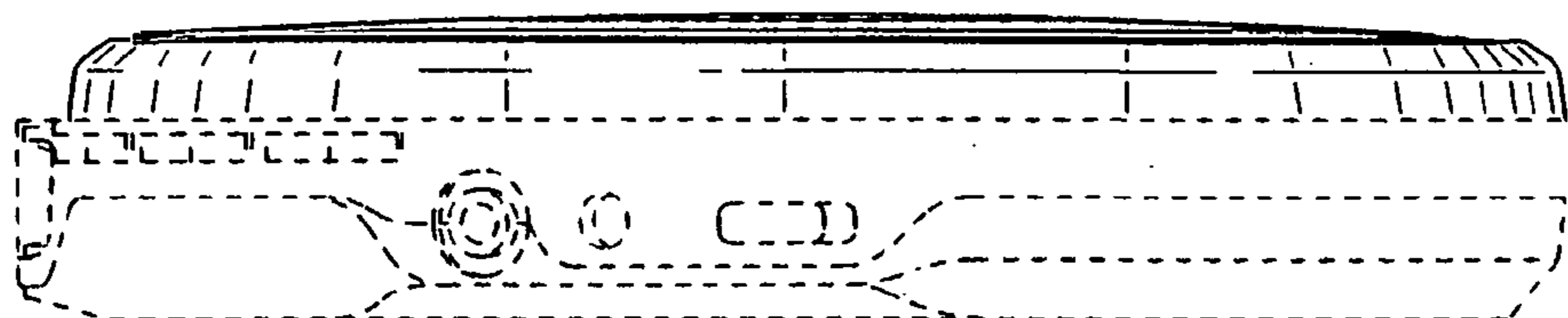


FIG.4

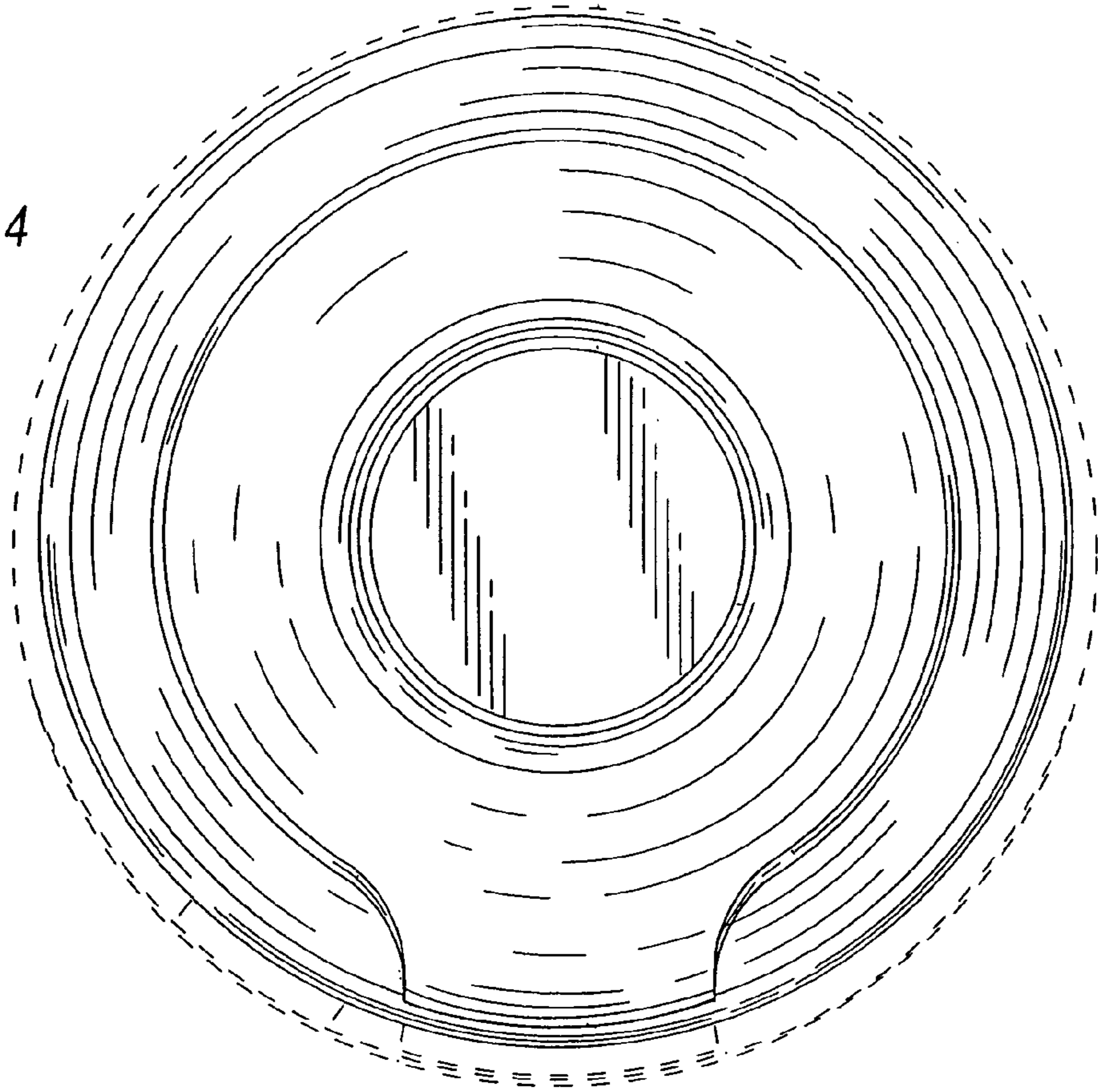


FIG.5

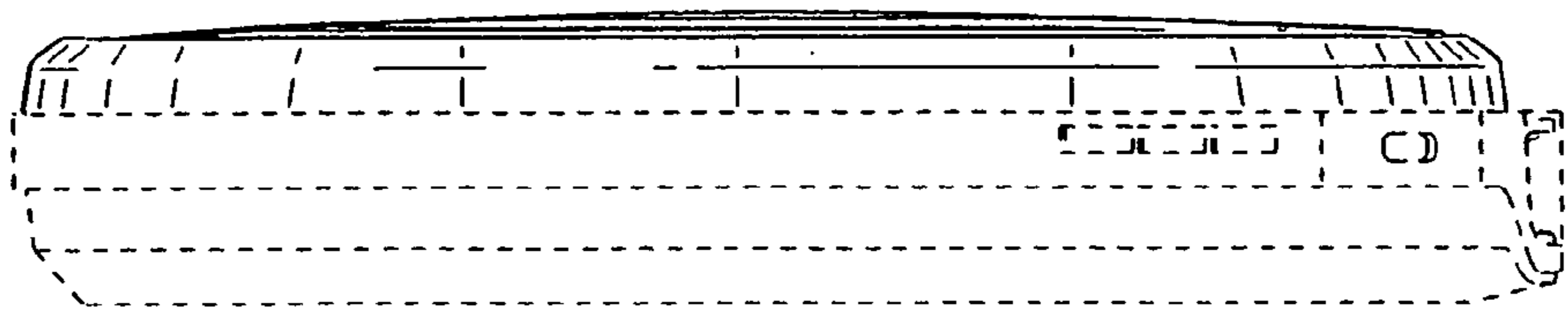


FIG.6

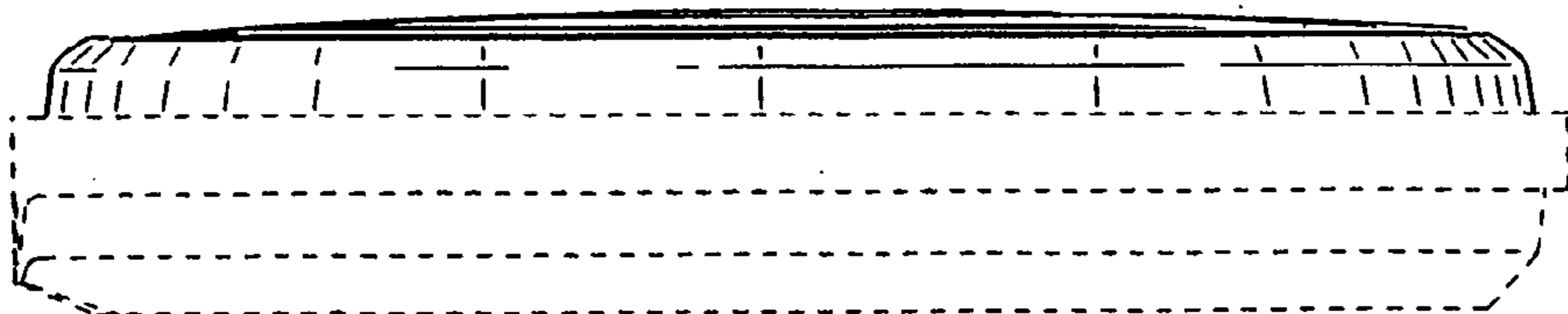


FIG. 7

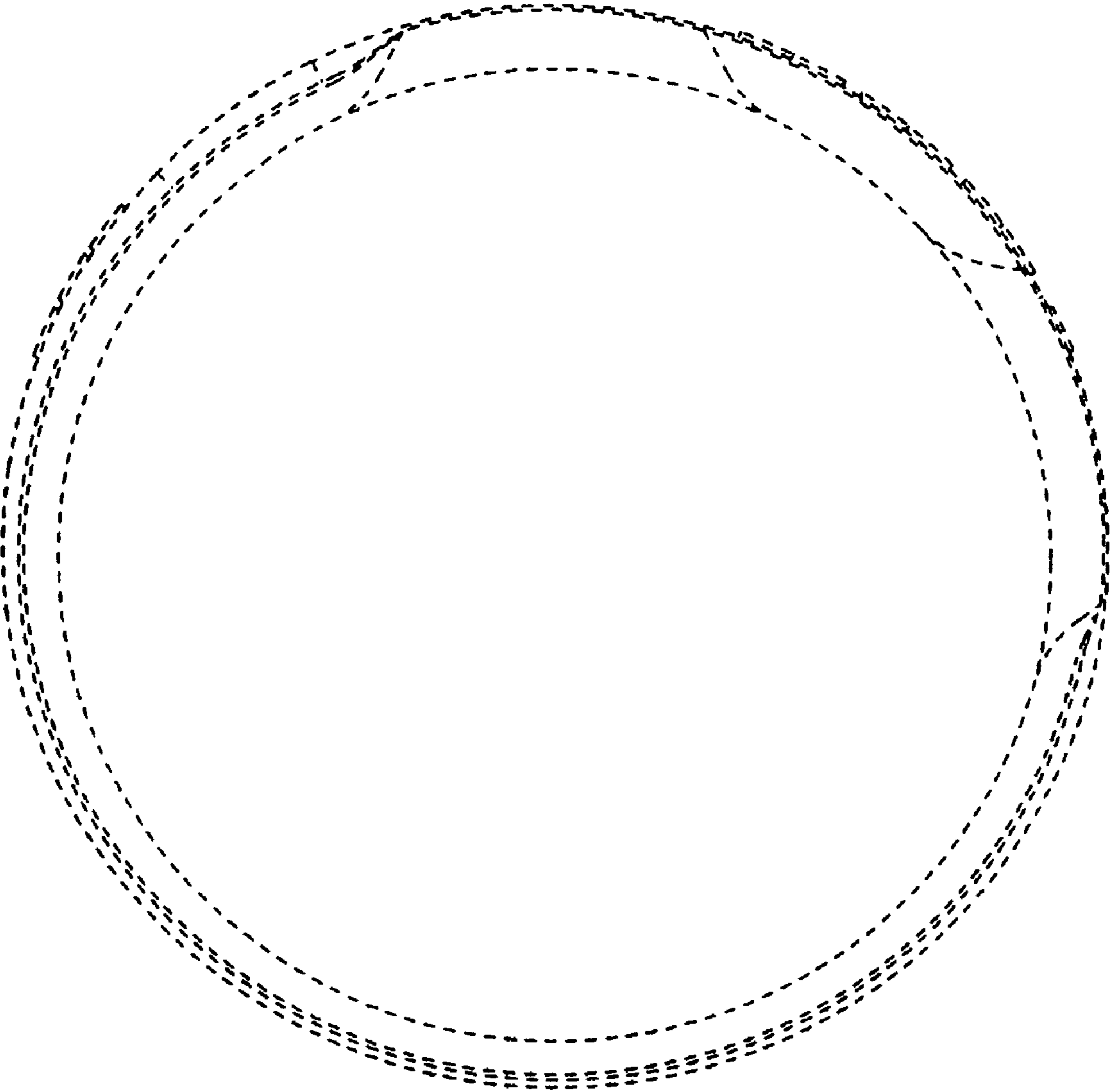


FIG.8

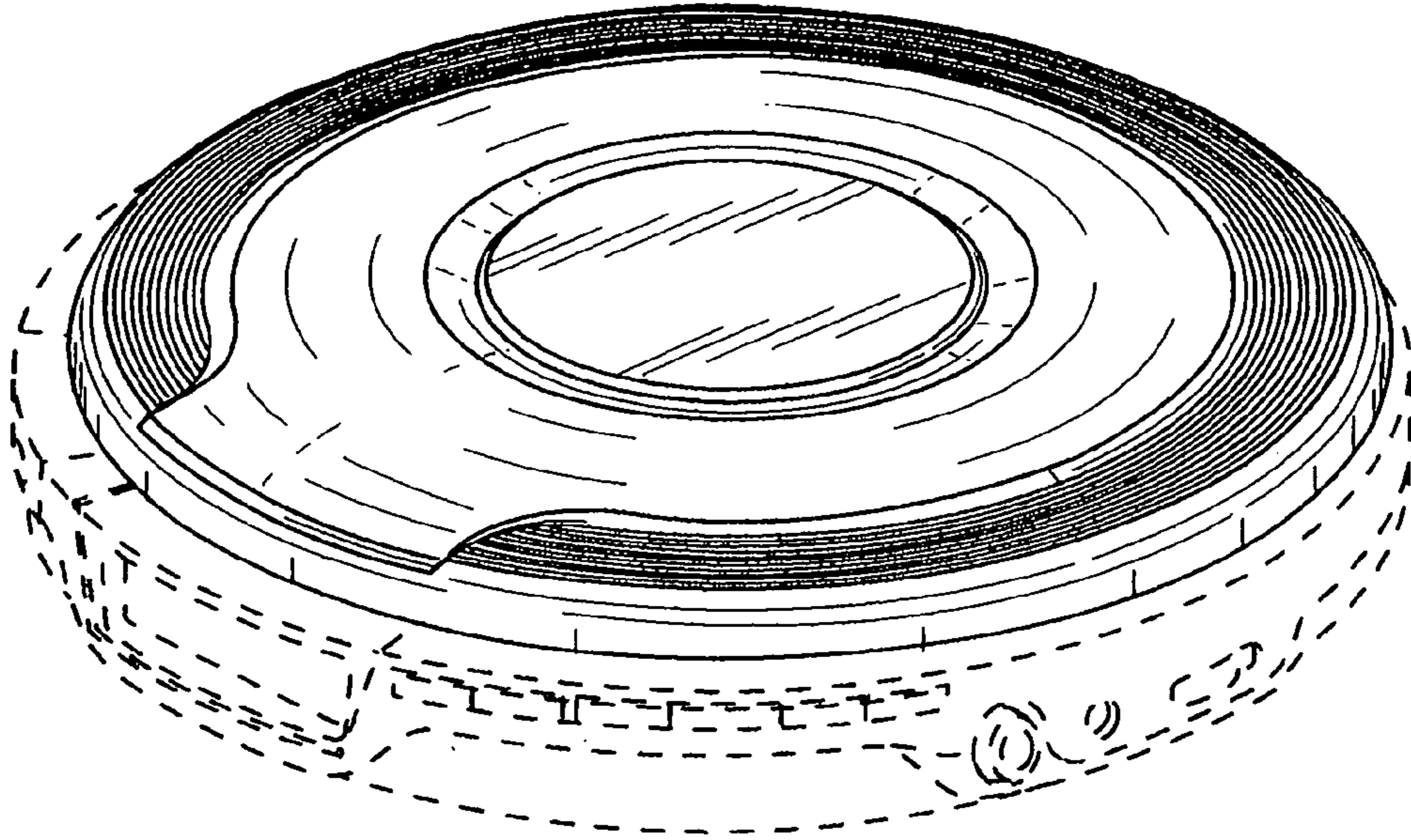


FIG.9

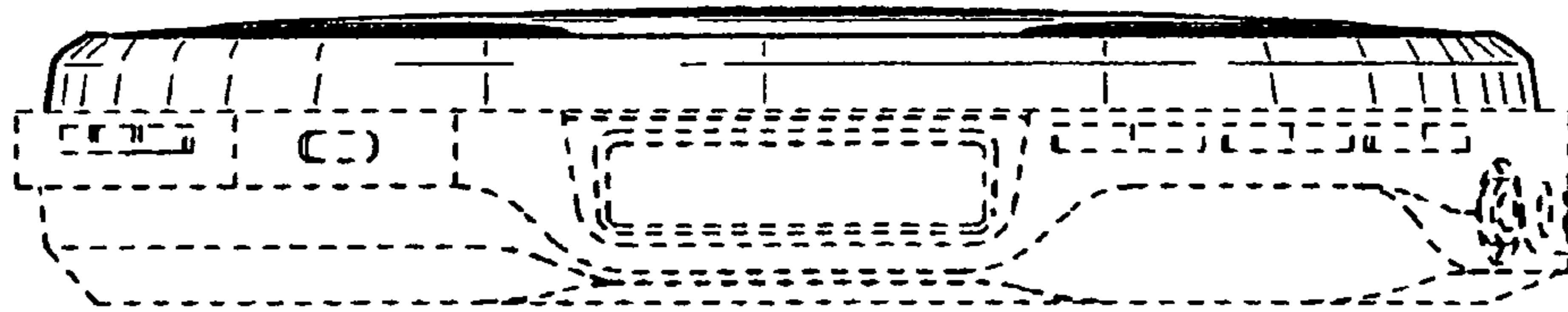


FIG.10

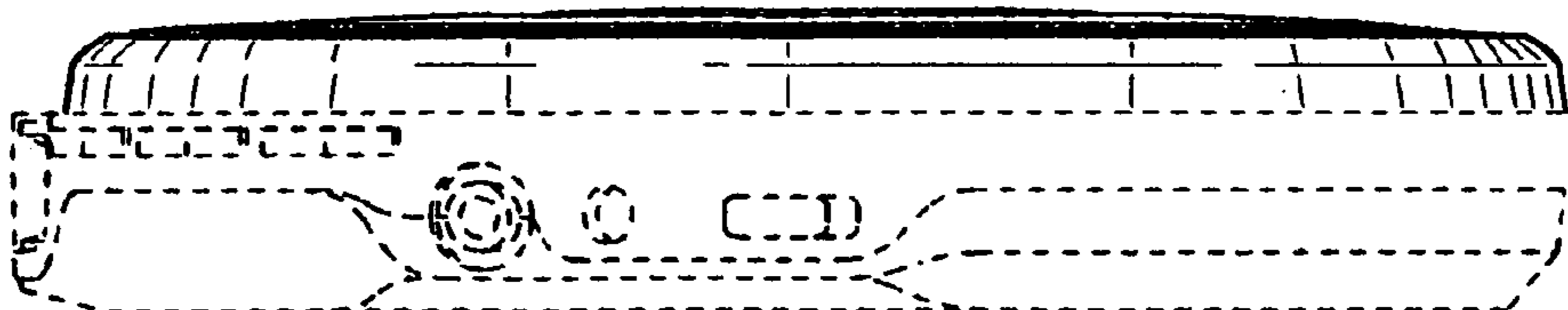


FIG.11

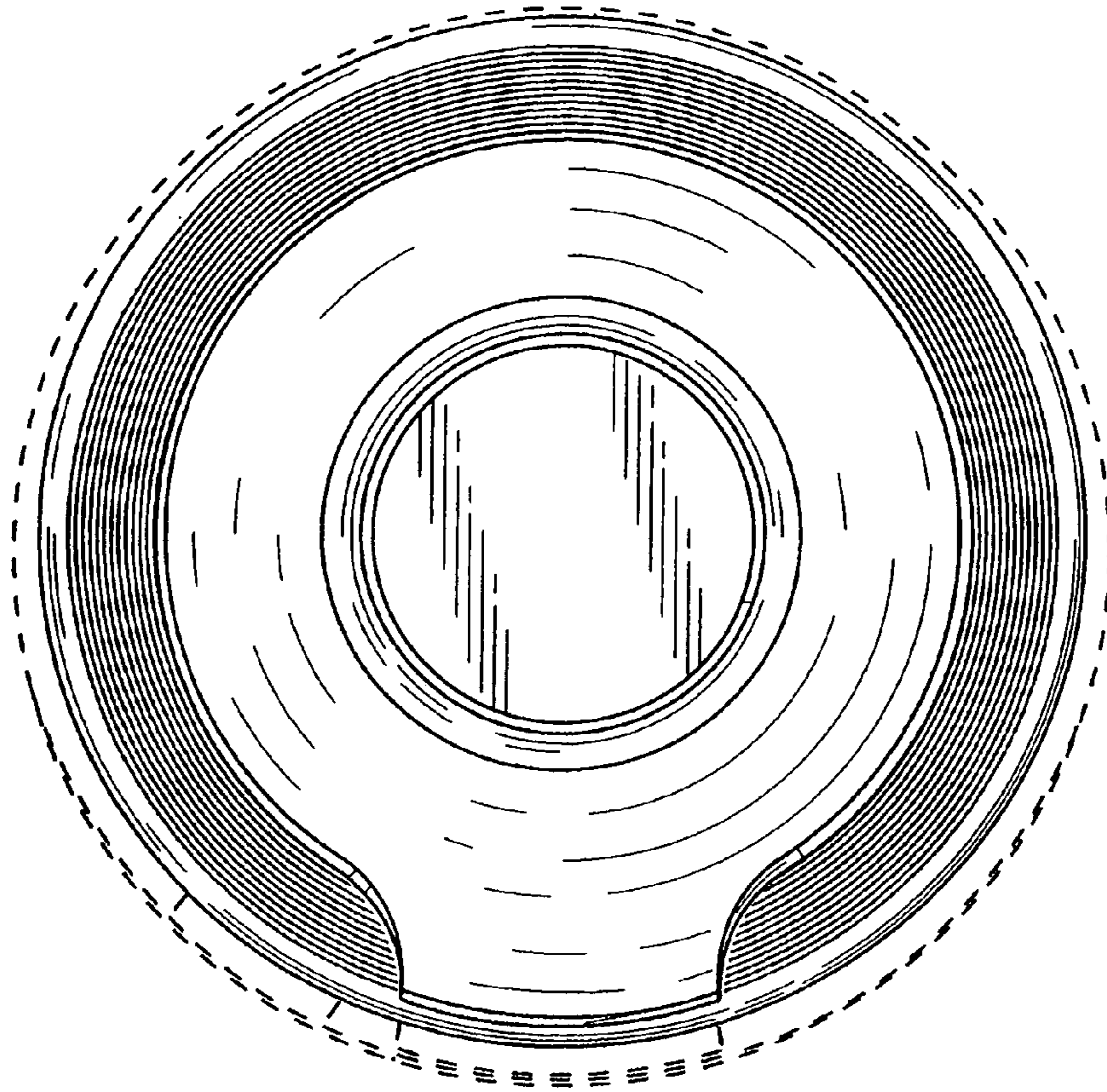


FIG.12

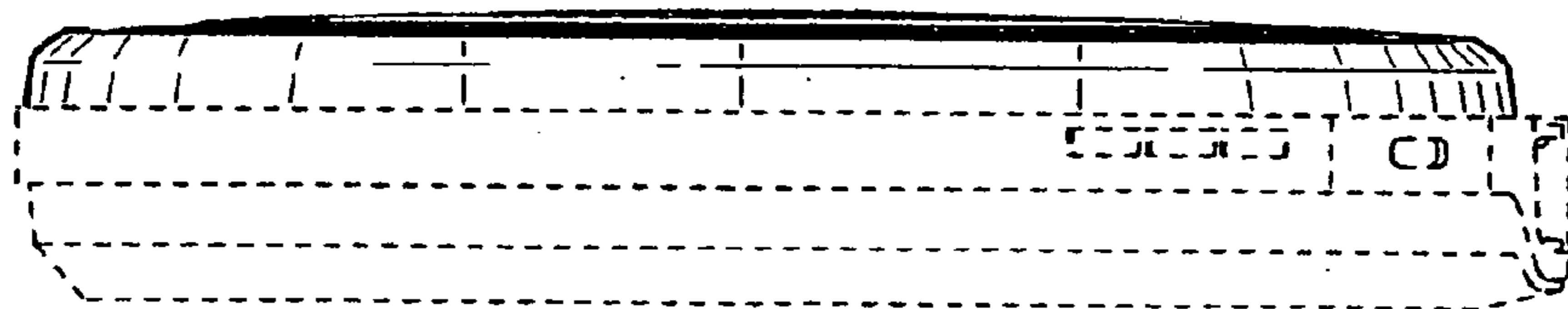


FIG.13

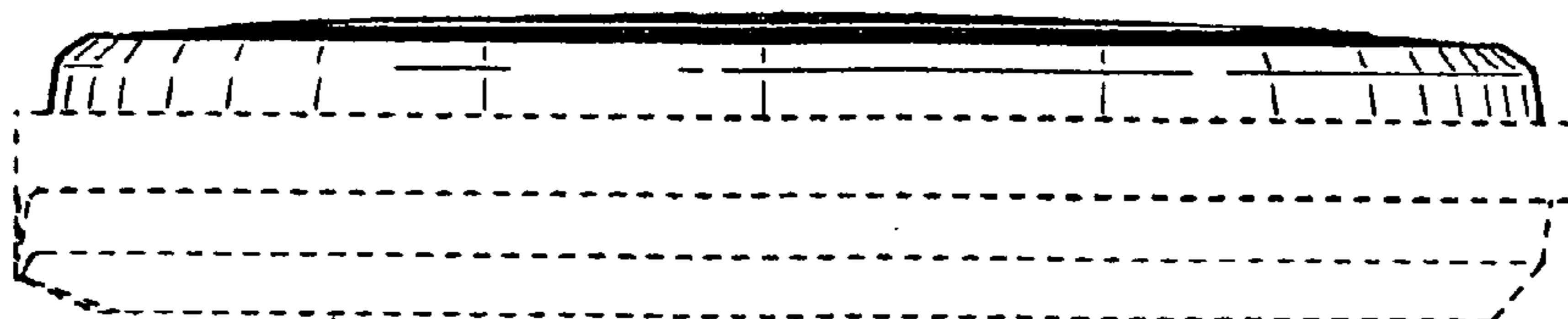


FIG. 14

