

US00D546811S

(12) **United States Design Patent** (10) **Patent No.:** **US D546,811 S**  
**Neu et al.** (45) **Date of Patent:** **\*\* Jul. 17, 2007**

(54) **AUDIO RECEIVING SYSTEM FOR A MP3 PLAYER**

D535,278 S \* 1/2007 Hussaini et al. .... D14/155  
D535,972 S \* 1/2007 Griffin ..... D14/155

(75) Inventors: **Thorben Neu**, Los Angeles, CA (US);  
**Ernesto Quinteros**, Los Angeles, CA (US);  
**Vincent Razo**, Los Angeles, CA (US);  
**Scott Jackson**, Rochester, NY (US)

(73) Assignee: **Belkin International, Inc.**, Compton, CA (US)

(\*\*) Term: **14 Years**

(21) Appl. No.: **29/261,838**

(22) Filed: **Jun. 20, 2006**

(51) **LOC (8) Cl.** ..... **14-03**

(52) **U.S. Cl.** ..... **D14/155; D14/167**

(58) **Field of Classification Search** ..... D14/358,  
D14/299, 248, 240, 218, 191, 188, 162, 155,  
D14/137, 226; D13/168, 110, 144; D10/121,  
D10/104, 106; 439/668; 455/353, 351  
See application file for complete search history.

(56) **References Cited**

**U.S. PATENT DOCUMENTS**

D338,465 S *	8/1993	Hayasaka et al. ....	D14/191
D366,262 S *	1/1996	Inaba .....	D14/218
D369,808 S *	5/1996	Hon et al. ....	D14/191
D415,442 S *	10/1999	Ikeda .....	D10/106
D426,223 S *	6/2000	Nomura .....	D14/167
D450,313 S *	11/2001	Koinuma .....	D14/218
D488,795 S *	4/2004	Christianson .....	D14/155
D506,209 S *	6/2005	Leong .....	D14/496
D507,261 S *	7/2005	Griffin .....	D14/226
D511,770 S *	11/2005	Chung .....	D14/240
D534,149 S *	12/2006	Griffin .....	D14/155

**OTHER PUBLICATIONS**

Belkin TuneTalk™ Stereo for iPod® video Nabs the iLounge 2006 “Best of Show” Award; [http://www.belkin.com/pressroom/releases/uploads/01\\_24\\_06iLoungeBestofShow.html](http://www.belkin.com/pressroom/releases/uploads/01_24_06iLoungeBestofShow.html), retrieved from the internet on May 15, 2006, 2 pages.

Belkin TuneTalk™ Stereo for iPod® video Nabs the iLounge 2006 “Best of Show” Award; [http://www.belkin.com/pressroom/releases/uploads/01\\_24\\_06iLoungeBestofShow.html](http://www.belkin.com/pressroom/releases/uploads/01_24_06iLoungeBestofShow.html), retrieved from the internet on May 15, 2006, 2 pages.

\* cited by examiner

*Primary Examiner*—Cathron C. Brooks

*Assistant Examiner*—Austin Murphy

(74) *Attorney, Agent, or Firm*—Bryan Cave LLP

(57) **CLAIM**

We claim the ornamental design for an audio receiving system for a MP3 player, as shown and described.

**DESCRIPTION**

FIG. 1 is a front, right, top isometric view of the audio receiving system for a MP3 player;

FIG. 2 is a rear, left, bottom isometric view thereof;

FIG. 3 is a top view thereof;

FIG. 4 is a bottom view thereof;

FIG. 5 is a left side view thereof;

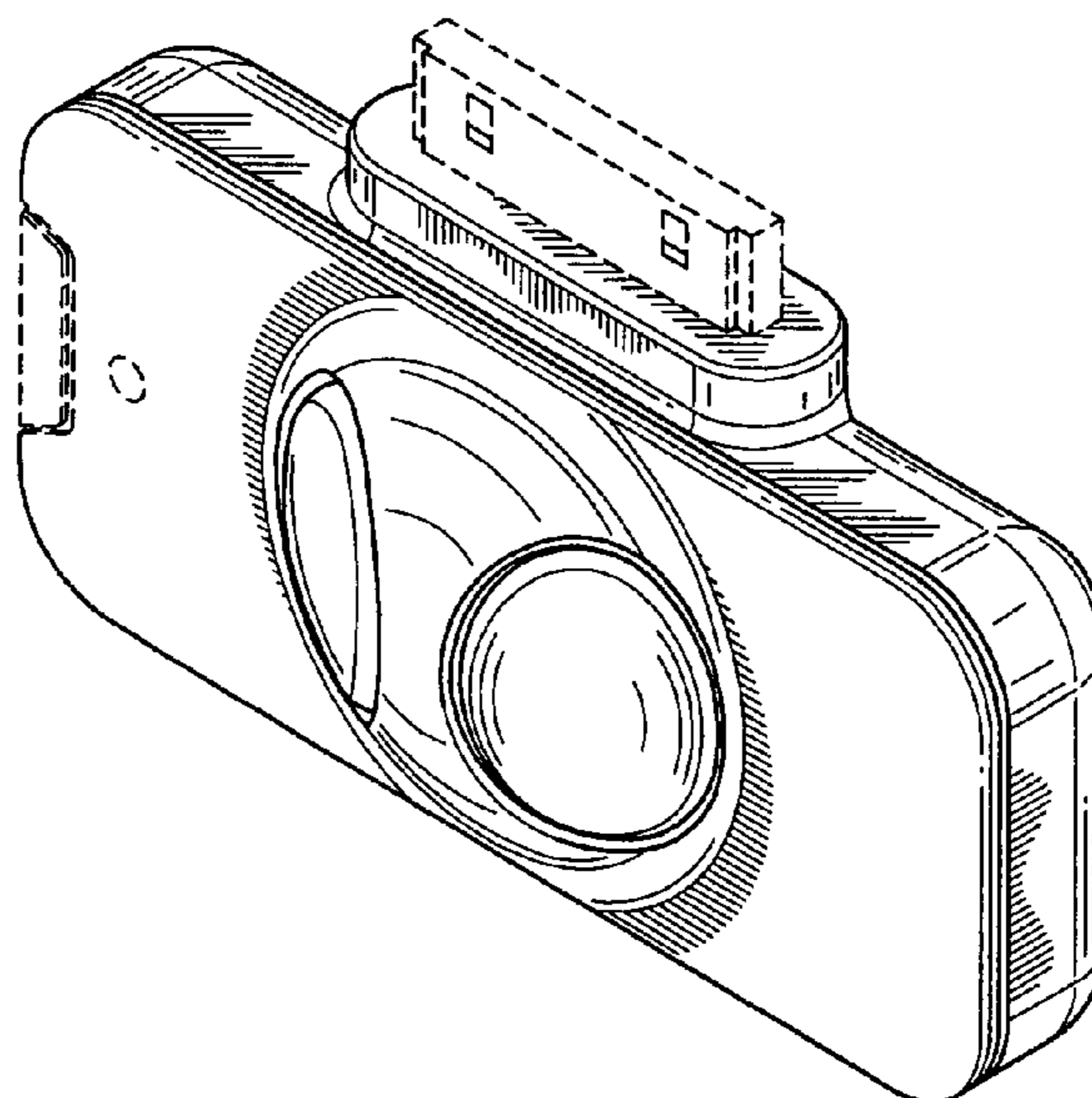
FIG. 6 is a right side view thereof;

FIG. 7 is a front view thereof; and,

FIG. 8 is a rear view thereof.

The broken lines in the drawings are for illustrative purposes only and form no part of the claimed design.

**1 Claim, 2 Drawing Sheets**



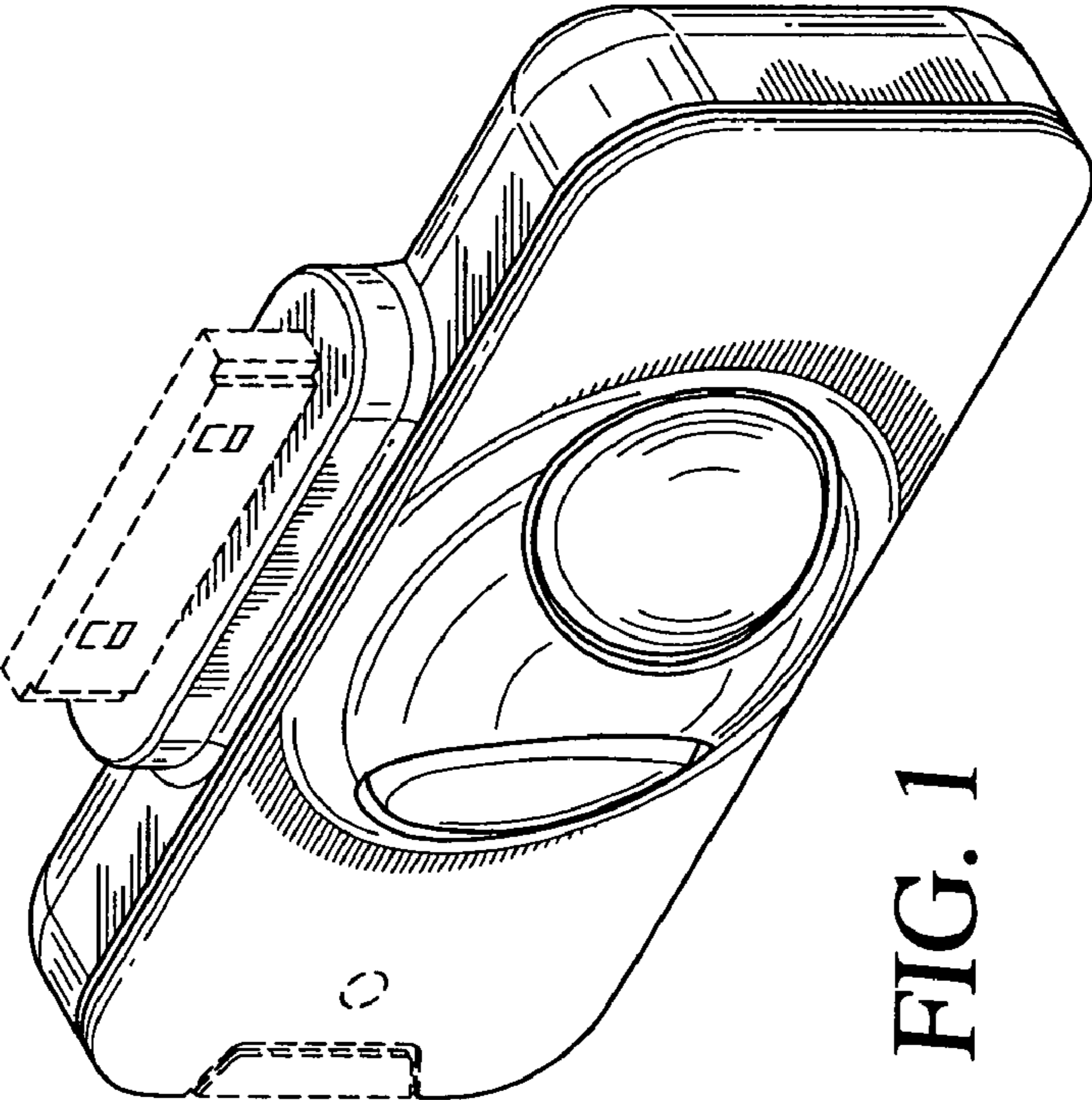
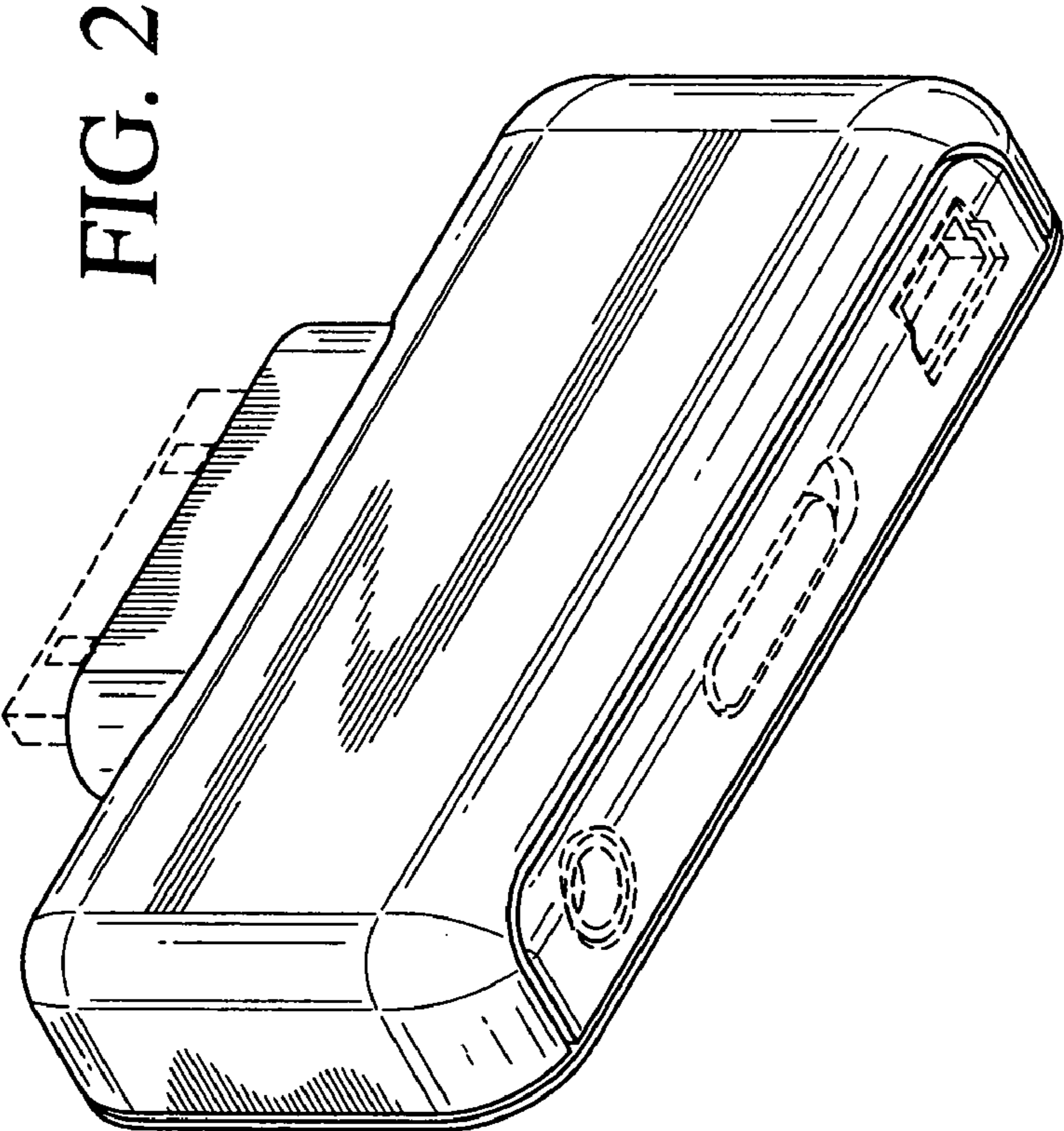


FIG. 2

FIG. 1

FIG. 3

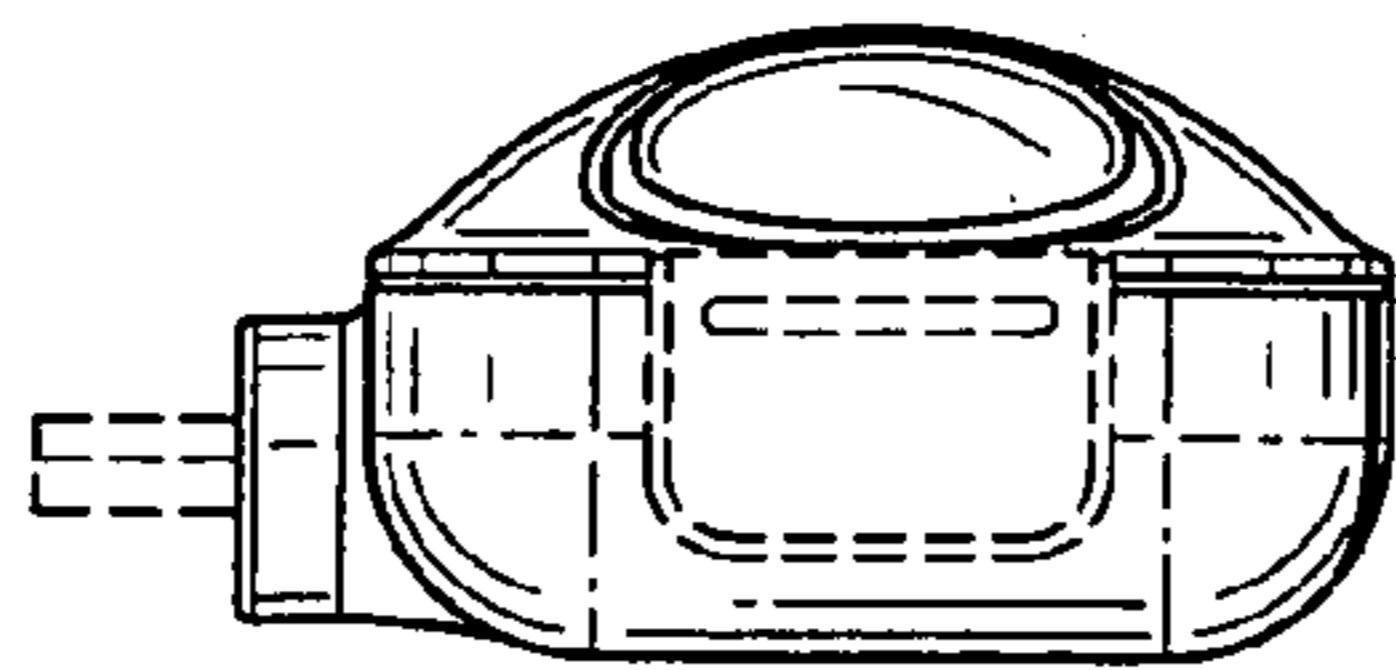
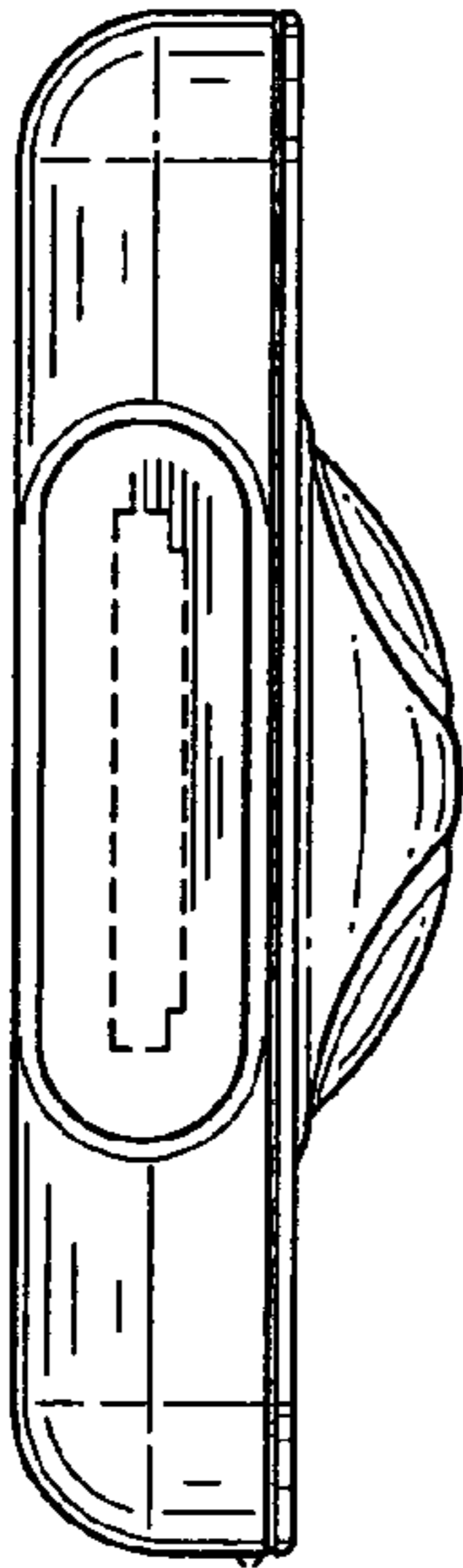


FIG. 5

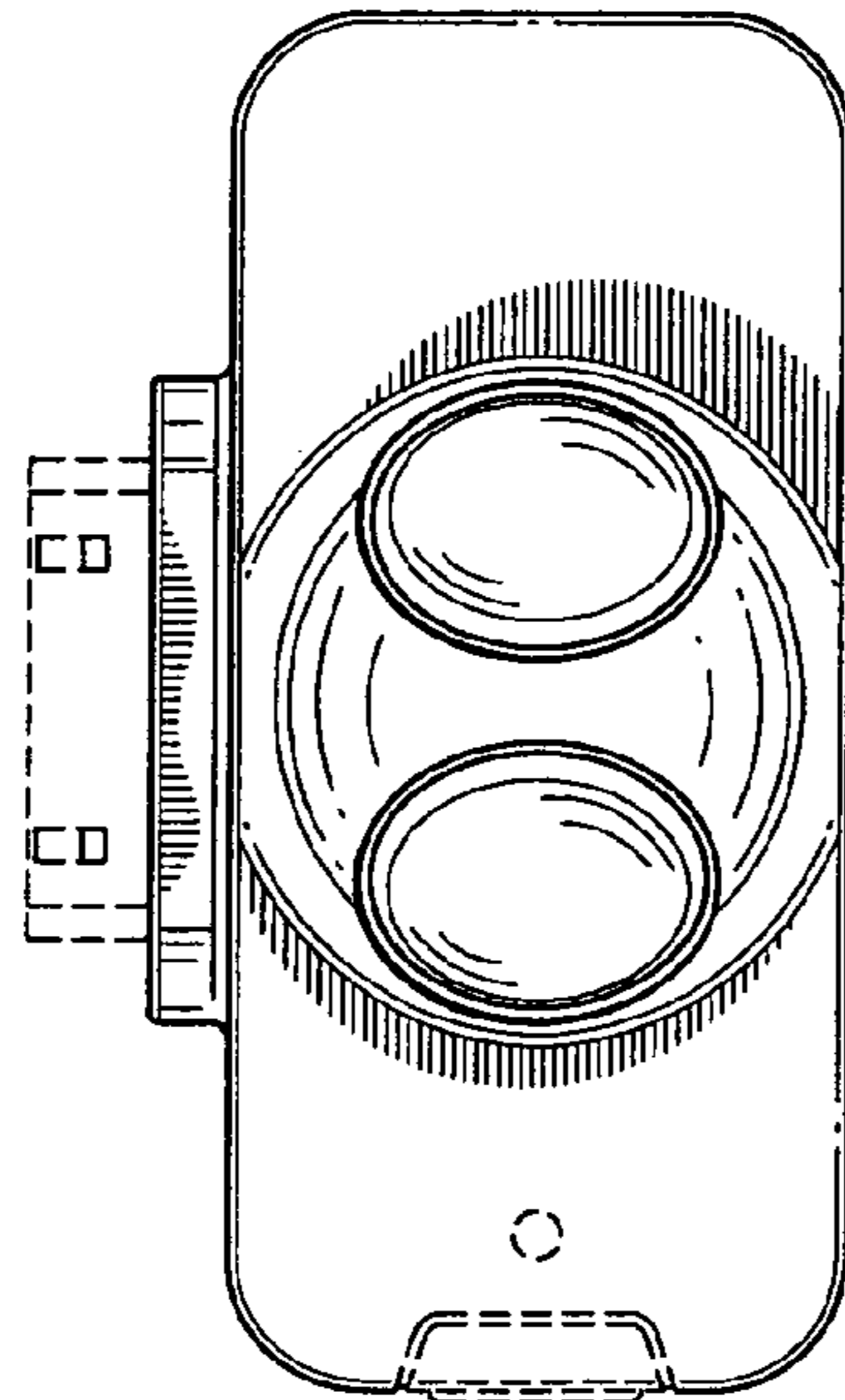


FIG. 7

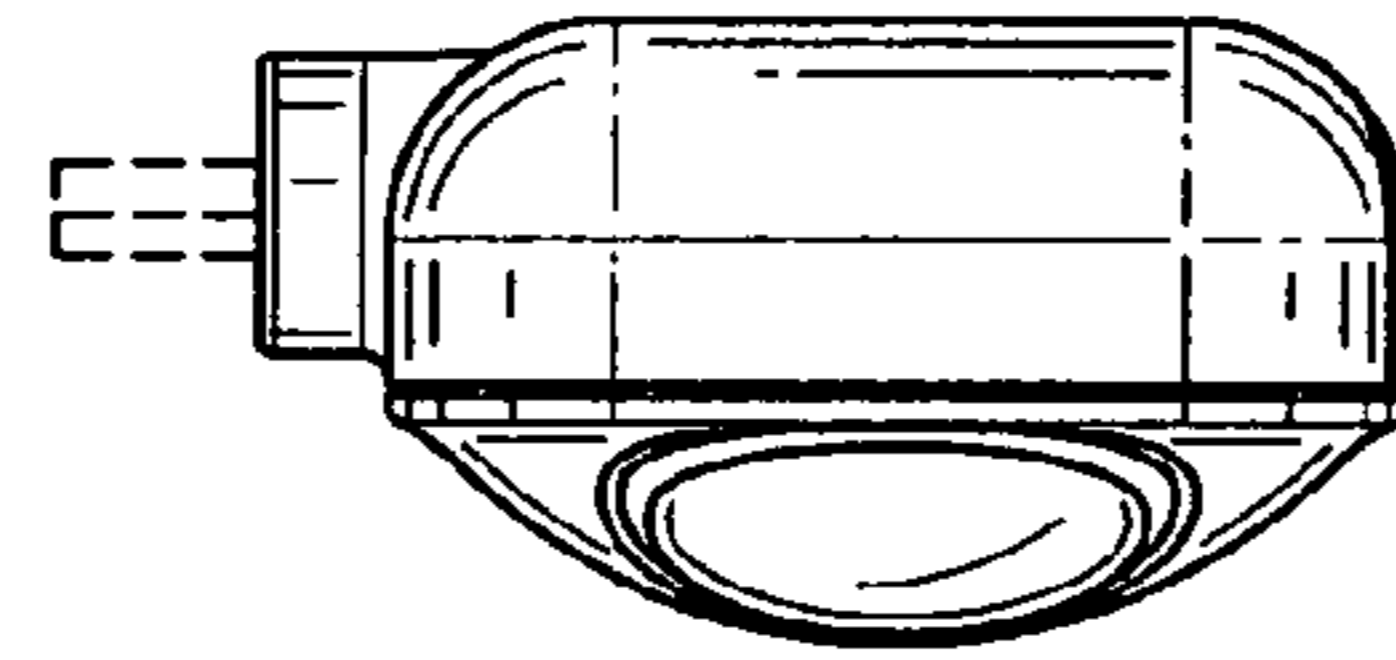


FIG. 6

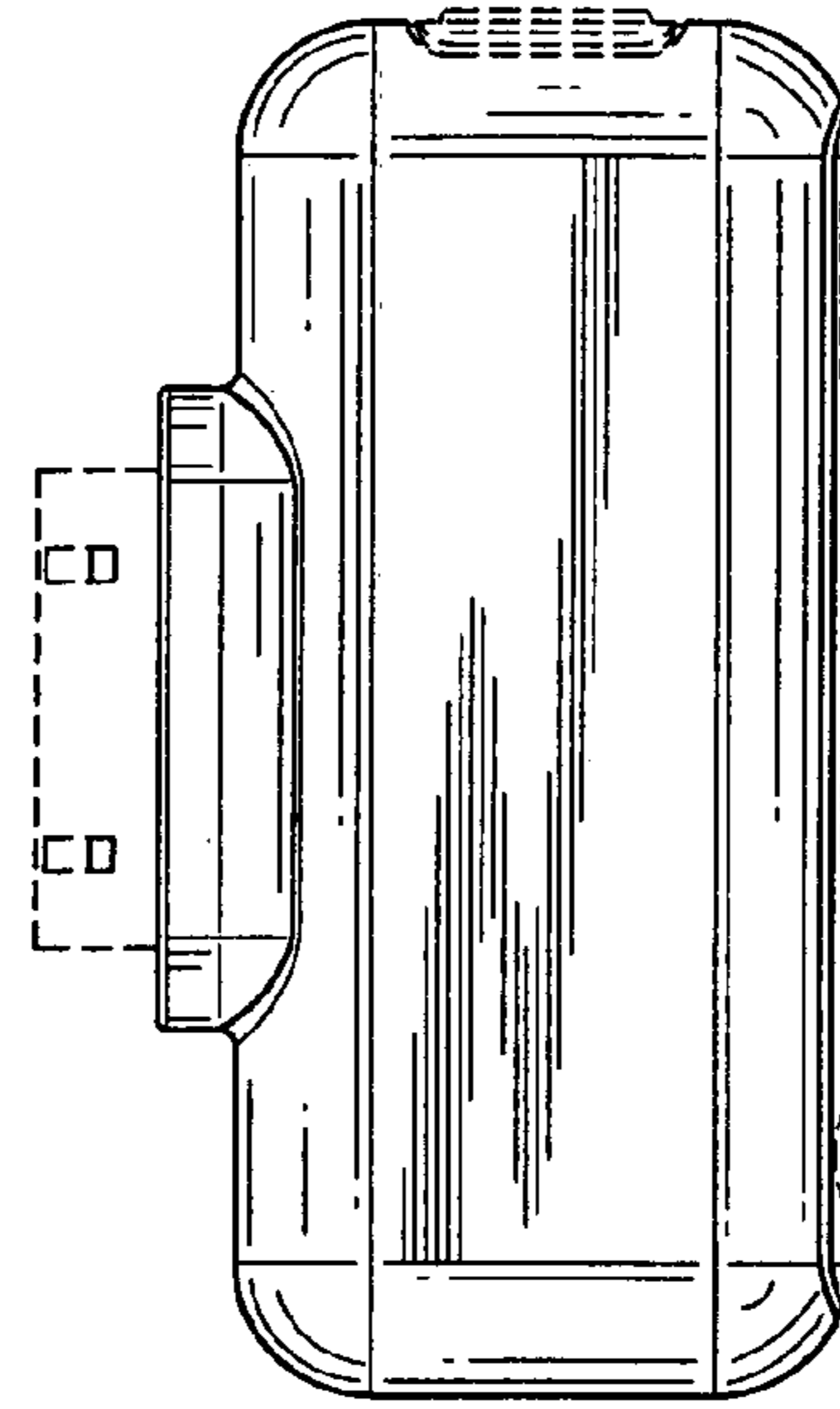


FIG. 8

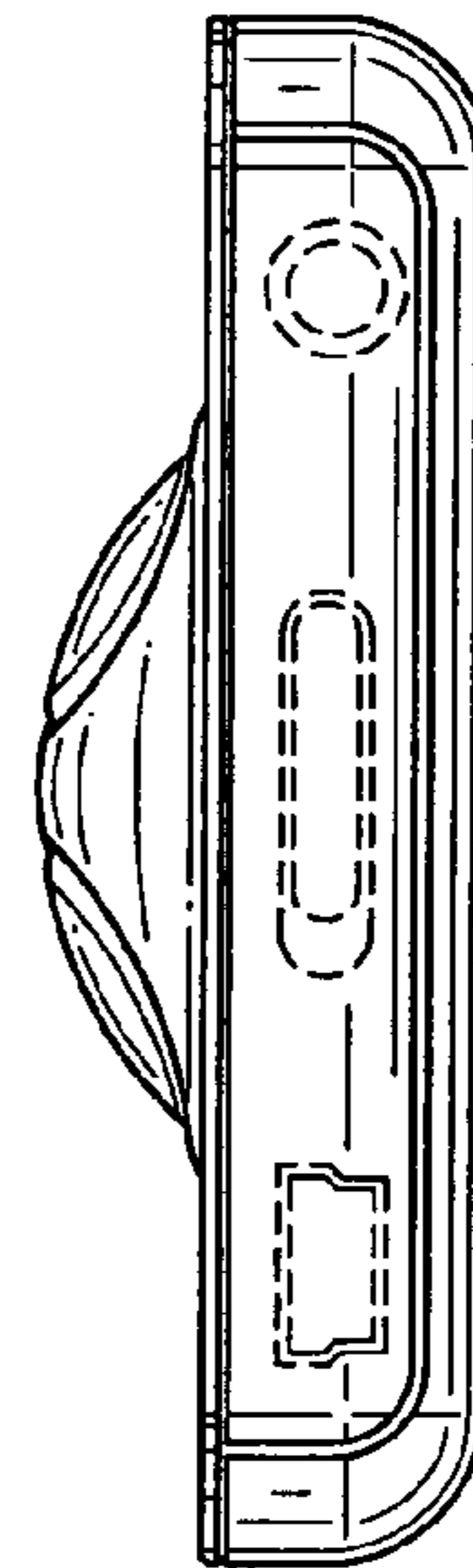


FIG. 4