



US00D546799S

(12) **United States Design Patent** (10) **Patent No.:** **US D546,799 S**  
**Kim et al.** (45) **Date of Patent:** **\*\* Jul. 17, 2007**

(54) **PORTABLE TELEPHONE** D489,698 S 5/2004 Kim et al.  
D500,309 S \* 12/2004 Borsboom ..... D14/218  
(75) Inventors: **Young-Se Kim**, Palo Alto, CA (US); D500,993 S 1/2005 Hwang  
**Chi-Young Ahn**, Seoul (KR); D501,458 S 2/2005 Kim et al.  
**Young-Ju Yeo**, Seoul (KR); D501,658 S 2/2005 Park et al.  
**Chang-Hwan Hwang**, Seoul (KR) D501,837 S 2/2005 Kim et al.  
D501,838 S 2/2005 Kim et al.  
(73) Assignee: **Samsung Electronics Co., Ltd.**, D502,161 S 2/2005 Kim et al.  
Kyunggi-do (KR) D503,164 S 3/2005 Park et al.

(Continued)

(\*\*) Term: **14 Years**

**OTHER PUBLICATIONS**

(21) Appl. No.: **29/243,946**

“Chocolate from Verizon”, 2 pp including photo, [online],  
<URL:http://www.mobiletechnews.com/info/2006/07/31/141023.html>, posted Jul. 31, 2006, retrieved Feb. 2, 2007.\*

(22) Filed: **Dec. 2, 2005**

(Continued)

(51) **LOC (8) Cl.** ..... **14-03**

(52) **U.S. Cl.** ..... **D14/138**

(58) **Field of Classification Search** ..... D14/137–138,  
D14/147–148, 156, 218, 247–248, 341–347,  
D14/496; D16/208; D21/329, 331, 333,  
D21/517; 348/14.01–14.02; 361/814; 379/  
433.01–433.13; 455/556.1–556.2, 575.1,  
455/575.3, 575.4, 566, 90.3

See application file for complete search history.

*Primary Examiner*—Ian Simmons

*Assistant Examiner*—Carla Jobe Wright

(74) *Attorney, Agent, or Firm*—Flynn, Thiel, Boutell &  
Tanis, P.C.

(57)

**CLAIM**

The ornamental design for a portable telephone, as shown  
and described.

(56) **References Cited**

**U.S. PATENT DOCUMENTS**

- D265,326 S \* 7/1982 Sugiyama ..... D21/331
- D382,545 S \* 8/1997 Imai et al. .... D14/343
- D407,716 S 4/1999 Park
- D407,717 S 4/1999 Kim
- D407,718 S 4/1999 Lee
- D410,920 S 6/1999 Lee et al.
- D411,537 S 6/1999 Lee
- D414,765 S 10/1999 Park
- D415,151 S 10/1999 Kim
- D415,488 S 10/1999 Lee
- D476,988 S \* 7/2003 Lee ..... D14/341
- D483,032 S \* 12/2003 Bertrand et al. .... D14/248

**DESCRIPTION**

FIG. 1 is a top front perspective view of a portable telephone  
showing our new design;

FIG. 2 is a front elevational view thereof;

FIG. 3 is a rear elevational view thereof;

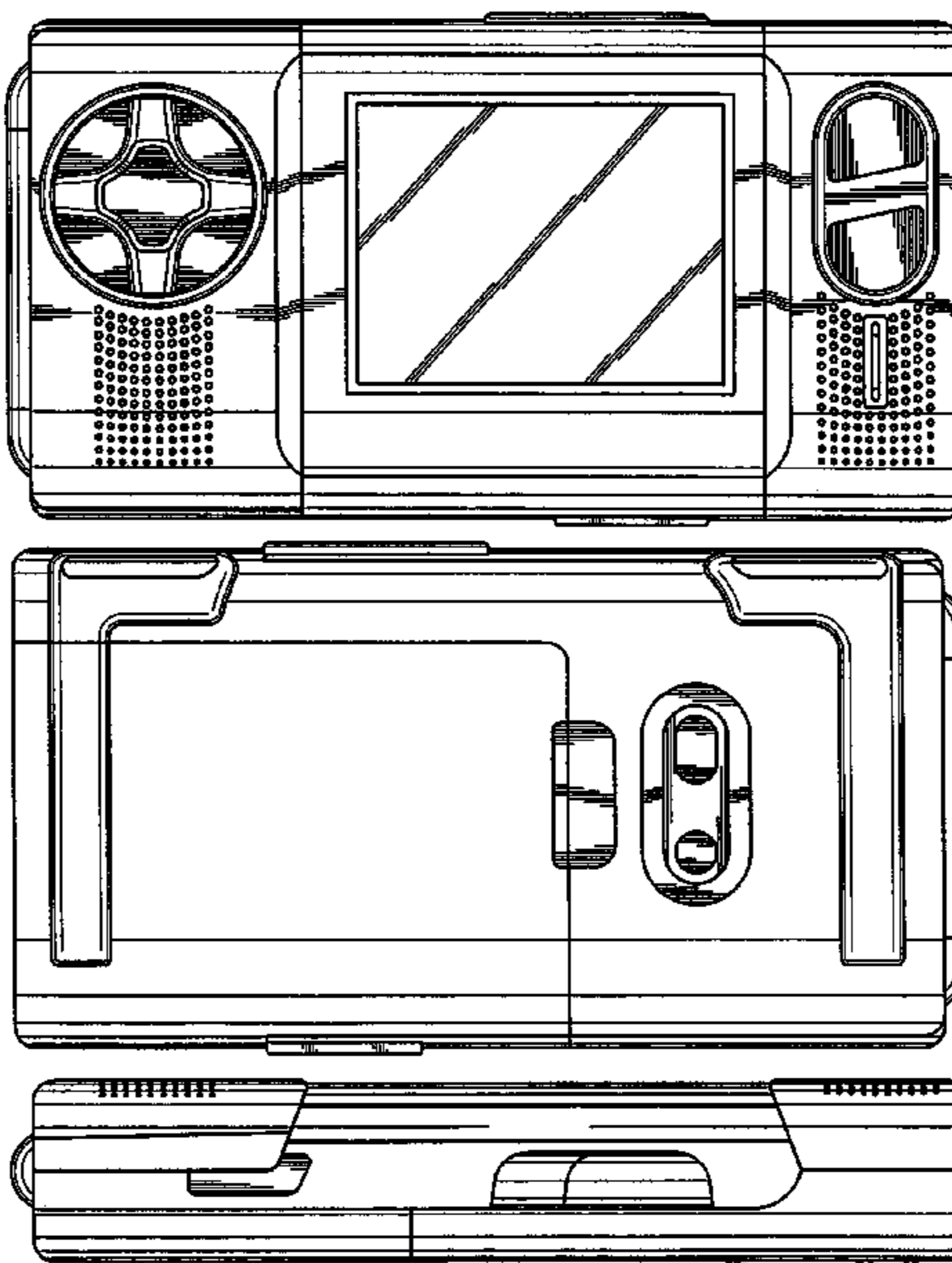
FIG. 4 is a left side elevational view thereof;

FIG. 5 is a right side elevational view thereof;

FIG. 6 is a top plan view thereof; and,

FIG. 7 is a bottom plan view.

**1 Claim, 4 Drawing Sheets**



U.S. PATENT DOCUMENTS

D504,406 S	4/2005	Cho et al.	
D505,125 S	5/2005	Ahn et al.	
D505,126 S	5/2005	Ahn et al.	
D506,454 S	6/2005	Kim et al.	
D506,738 S	6/2005	Kim et al.	
D507,252 S	7/2005	Kim et al.	
D507,550 S	7/2005	Kim et al.	
D507,551 S	7/2005	Kim et al.	
D507,787 S	7/2005	Ahn et al.	
D508,031 S	8/2005	Kim et al.	
D508,033 S	8/2005	Kim et al.	
D508,035 S	8/2005	Kim et al.	
D508,240 S	8/2005	Lee et al.	
D508,473 S	8/2005	Lee et al.	
D508,685 S	8/2005	Kim et al.	
D508,686 S	8/2005	Kim et al.	
D508,688 S	8/2005	Lee et al.	
D508,903 S	8/2005	Kim et al.	
D510,078 S	9/2005	Lee et al.	
D510,922 S	10/2005	Kim et al.	
D512,038 S	11/2005	Kim et al.	
D512,394 S *	12/2005	Kim et al.	..... D14/138
D512,702 S	12/2005	Lee et al.	
D513,244 S	12/2005	Kim et al.	
D521,023 S *	5/2006	Kim et al.	..... D14/496
D533,160 S *	12/2006	Yoo et al.	..... D14/138
D534,143 S *	12/2006	Lheem	..... D14/138
D534,145 S *	12/2006	Lheem	..... D14/138
D535,274 S *	1/2007	Lee	..... D14/138
2004/0242288 A1 *	12/2004	Balle et al.	..... 455/575.1
2006/0094464 A1 *	5/2006	Kyou et al.	..... 455/556.1

OTHER PUBLICATIONS

U.S. Appl. No. 29/204,878, Applicant: Bum-Soo Park, et al., filed May 5, 2004 entitled Portable Telephone.  
 U.S. Appl. No. 29/214,253, Applicant: Hye-Jeong Lee, et al., filed Sep. 27, 2004 entitled Portable Telephone.  
 U.S. Appl. No. 29/216,563, Applicant: Jin-Soo Kim, et al., filed Nov. 4, 2004 entitled Portable Telephone.  
 U.S. Appl. No. 29/226,417, Applicant: Jin-Soo Kim, et al., filed Mar. 29, 2005 entitled Portable Telephone.  
 U.S. Appl. No. 29/231,234, Applicant: Yun-Jin Park, et al., filed Jun. 2, 2005 entitled Portable Telephone.  
 U.S. Appl. No. 29/235,651, Applicant: Eun-Young Kim, et al., filed Aug. 4, 2005 entitled Portable Telephone.  
 U.S. Appl. No. 29/235,467, Applicant: Hyok-Su Choi, et al., Aug. 2, 2005 entitled Portable Telephone.

U.S. Appl. No. 29/226,462, Applicant: Yu-Guen Kim, et al., filed Mar. 29, 2005 entitled Portable Telephone.  
 U.S. Appl. No. 29/226,463, Applicant: Jin-Soo Kim, et al., filed Mar. 29, 2005 entitled Portable Telephone.  
 U.S. Appl. No. 29/226,465, Applicant: Ki-Eon Lee, et al., filed Mar. 29, 2005 entitled Portable Telephone.  
 U.S. Appl. No. 29/226,464, Applicant: Joon-Ki Yun, et al., filed Mar. 29, 2005 entitled Portable Telephone.  
 U.S. Appl. No. 29/226,454, Applicant: Woo-Seung Han, et al., filed Mar. 29, 2005 entitled Portable Telephone.  
 U.S. Appl. No. 29/226,982, Applicant: Yu--Guen Kim, et al., filed Apr. 5, 2005 entitled Portable Telephone.  
 U.S. Appl. No. 29/226,990, Applicant: Yu-Guen Kim, et al., filed Apr. 5, 2005 entitled Portable Telephone.  
 U.S. Appl. No. 29/227,339, Applicant: Joon-Suh Kim, et al., filed Apr. 7, 2005 entitled Portable Telephone.  
 U.S. Appl. No. 29/227,338, Applicant: Joon-Suh Kim, et al., filed Apr. 7, 2005 entitled Portable Telephone.  
 U.S. Appl. No. 29/227,258, Applicant: Min-Ah Koh, et al., filed Apr. 8, 2005 entitled Portable Telephone.  
 U.S. Appl. No. 29/219/068, Applicant: Dae-Yoeb Park, et al., filed Dec. 10, 2004 entitled Portable Telephone.  
 U.S. Appl. No. 29/224,584, Applicant: Ha-Youl Jung, et al., filed Mar. 3, 2005 entitled Portable Telephone.  
 U.S. Appl. No. 29/231,235, Applicant: Yun-Jin Park, et al., filed Jun. 2, 2005 entitled Portable Telephone.  
 U.S. Appl. No. 29/226,455, Applicant: Woo-Seung Han, et al., filed Mar. 29, 2005 entitled Portable Telephone.  
 U.S. Appl. No. 29/226,418, Applicant: Ji-Hyun Moon, et al., filed Mar. 29, 2005 entitled Portable Telephone.  
 U.S. Appl. No. 29/226,419, Applicant: Min-Ah Koh, et al., filed Mar. 29, 2005 entitled Portable Telephone.  
 U.S. Appl. No. 29/226,420, Applicant: Min-Hyouk Lee, et al., filed Mar. 29, 2005 entitled Portable Telephone.  
 U.S. Appl. No. 29/226,442, Applicant: Min-Hyouk Lee, et al., filed Mar. 29, 2005 entitled Portable Telephone.  
 U.S. Appl. No. 29/226,443, Applicant: Jin-Soo Kim, et al., filed Mar. 29, 2005 entitled Portable Telephone.  
 U.S. Appl. No. 29/226,470, Applicant: Nam-Su Kim, et al., filed Mar. 29, 2005 entitled Portable Telephone.  
 U.S. Appl. No. 29/226,474, Applicant: Nam-Su Kim, et al., filed Mar. 29, 2005 entitled Portable Telephone.  
 U.S. Appl. No. 29/226,460, Applicant: Nam-Su Kim, et al., filed Mar. 29, 2005 entitled Portable Telephone.  
 U.S. Appl. No. 29/226,461, Applicant: Joon-Ki Yun, et al., filed Mar. 29, 2005 entitled Portable Telephone.

\* cited by examiner

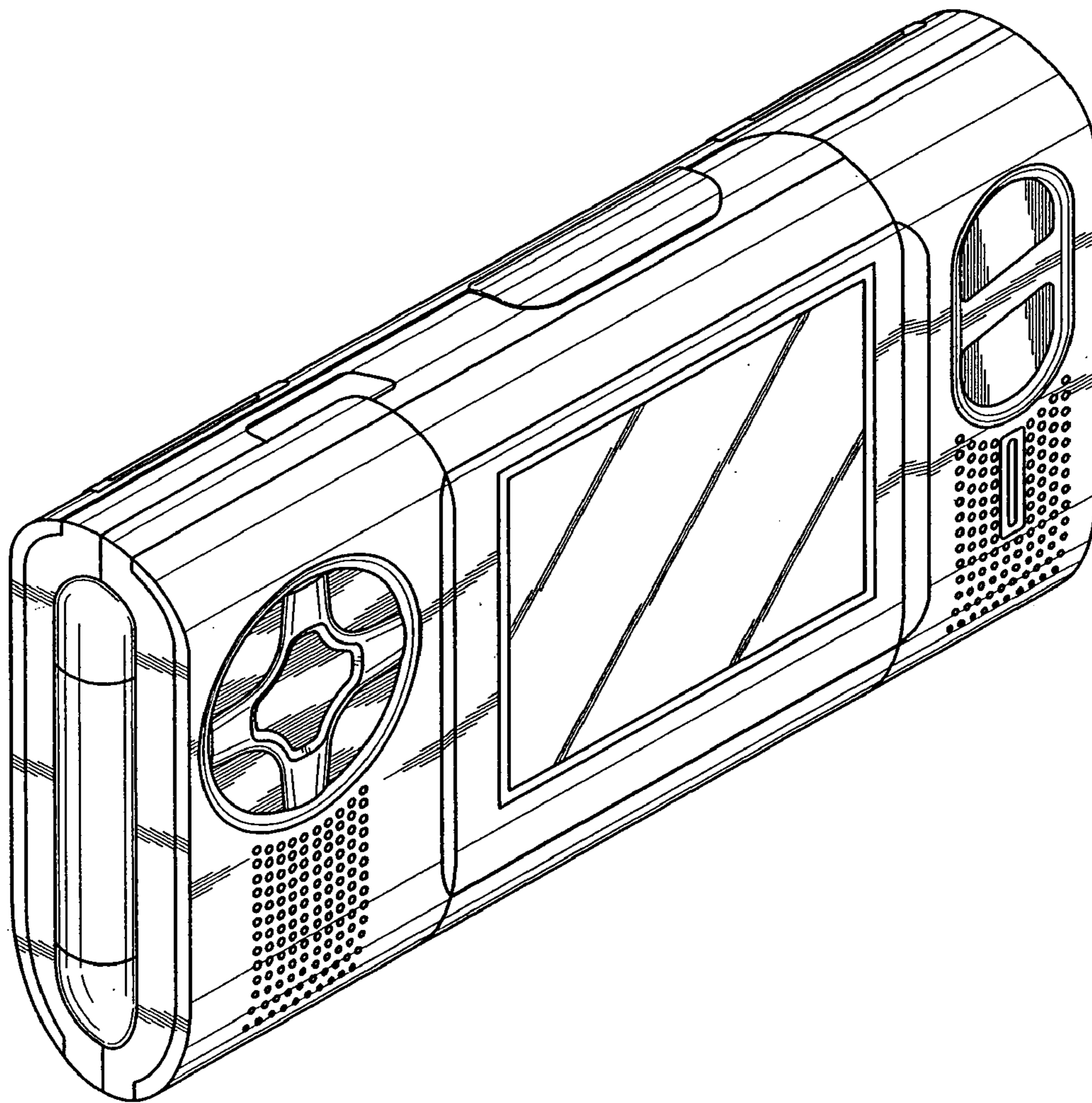


FIG. 1

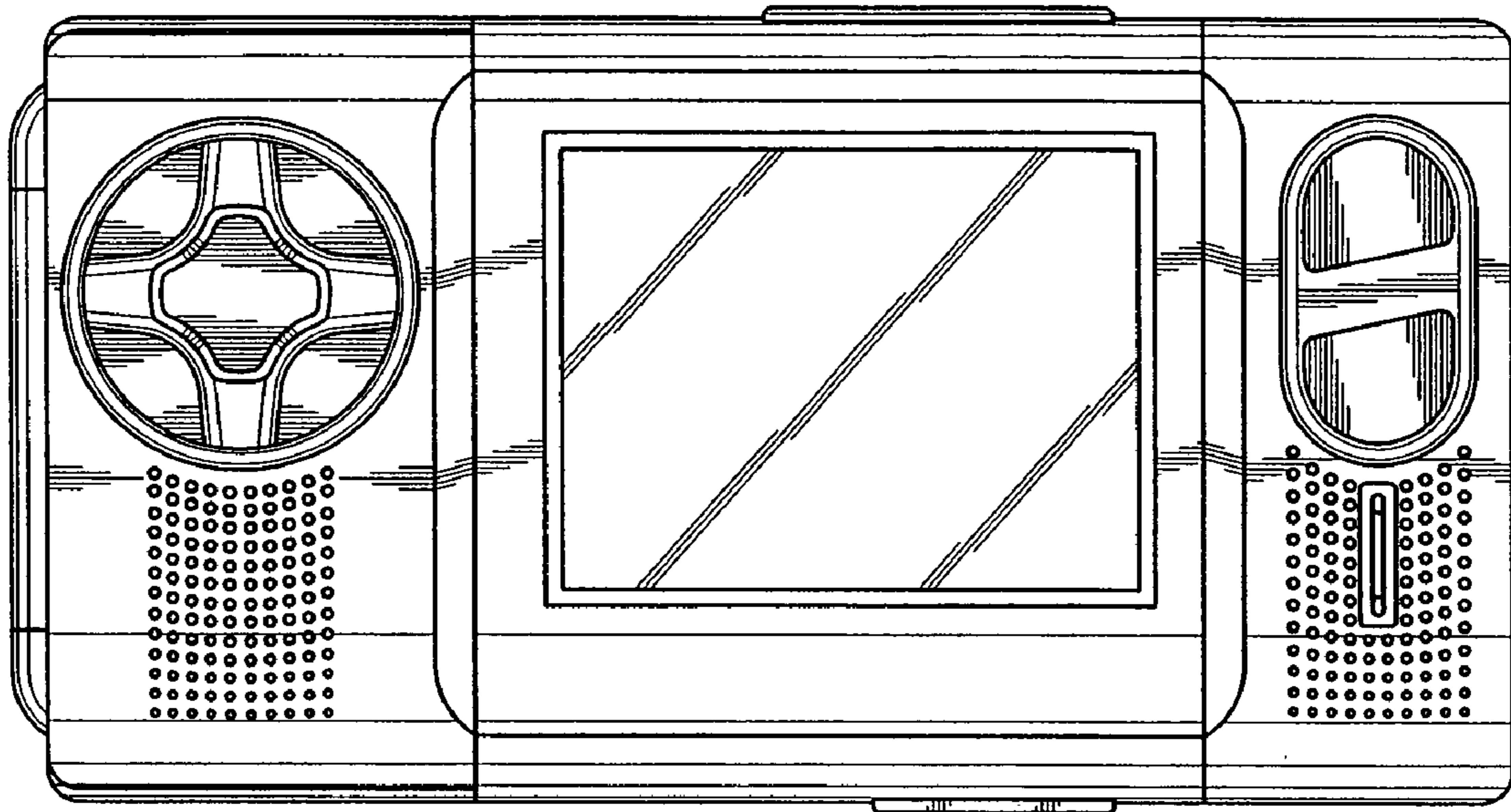


FIG2

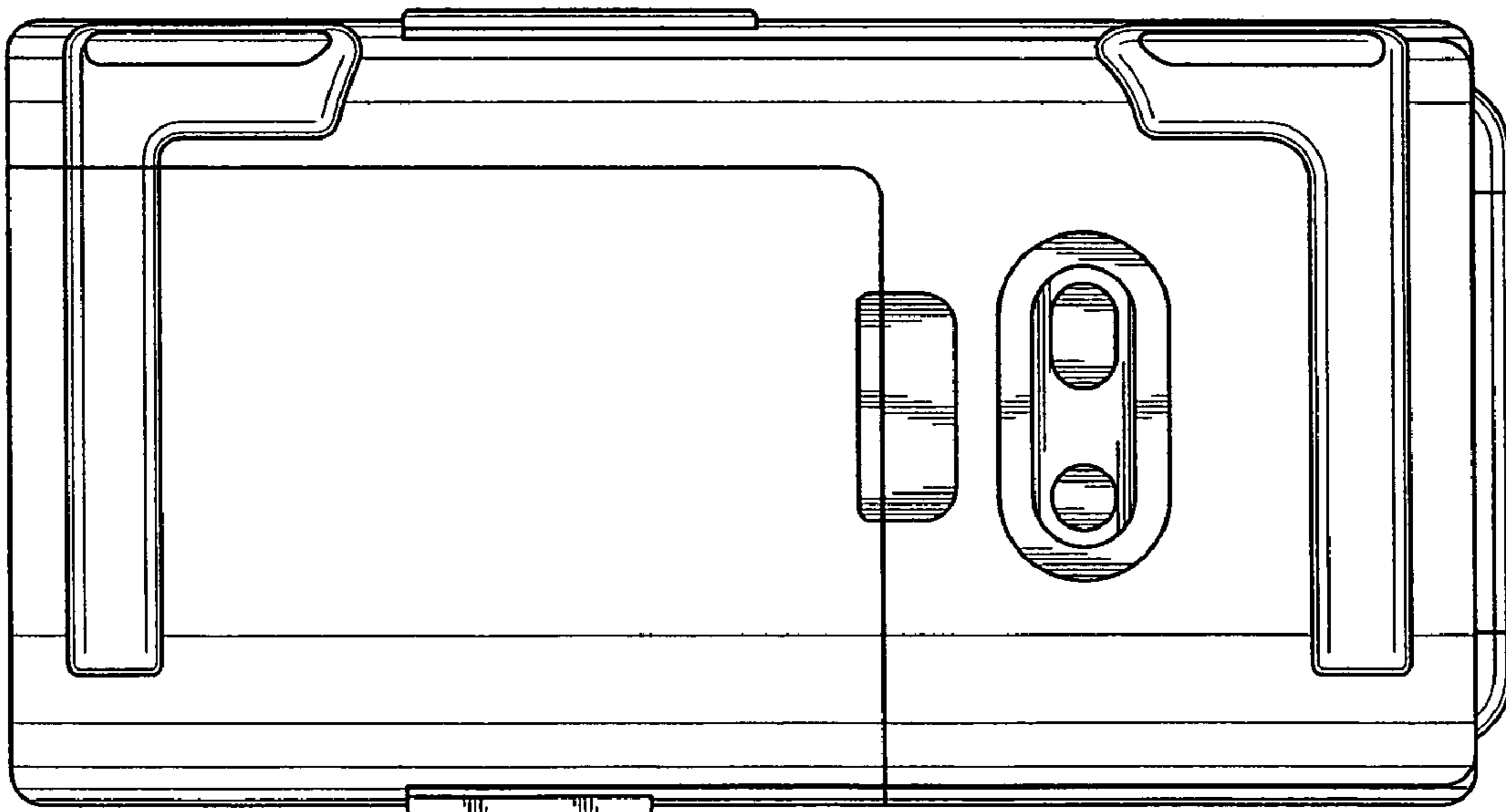


FIG. 3

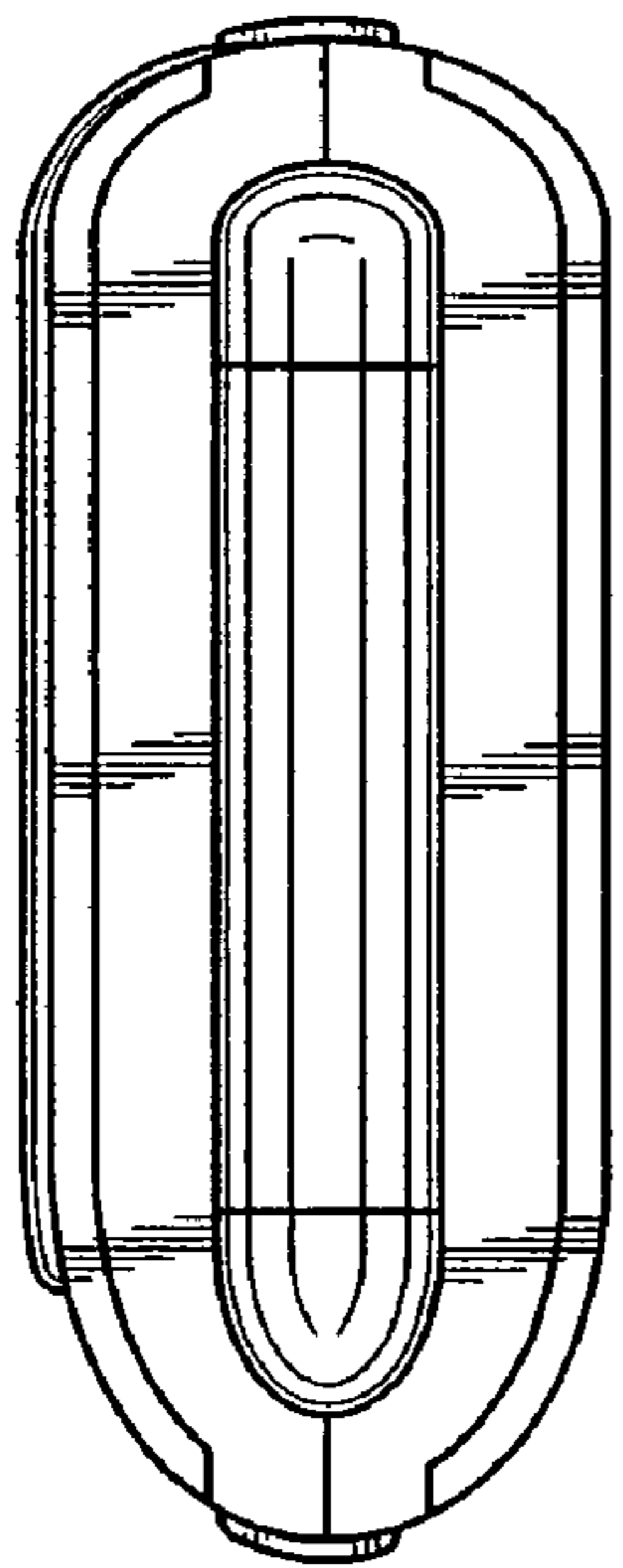


FIG. 4

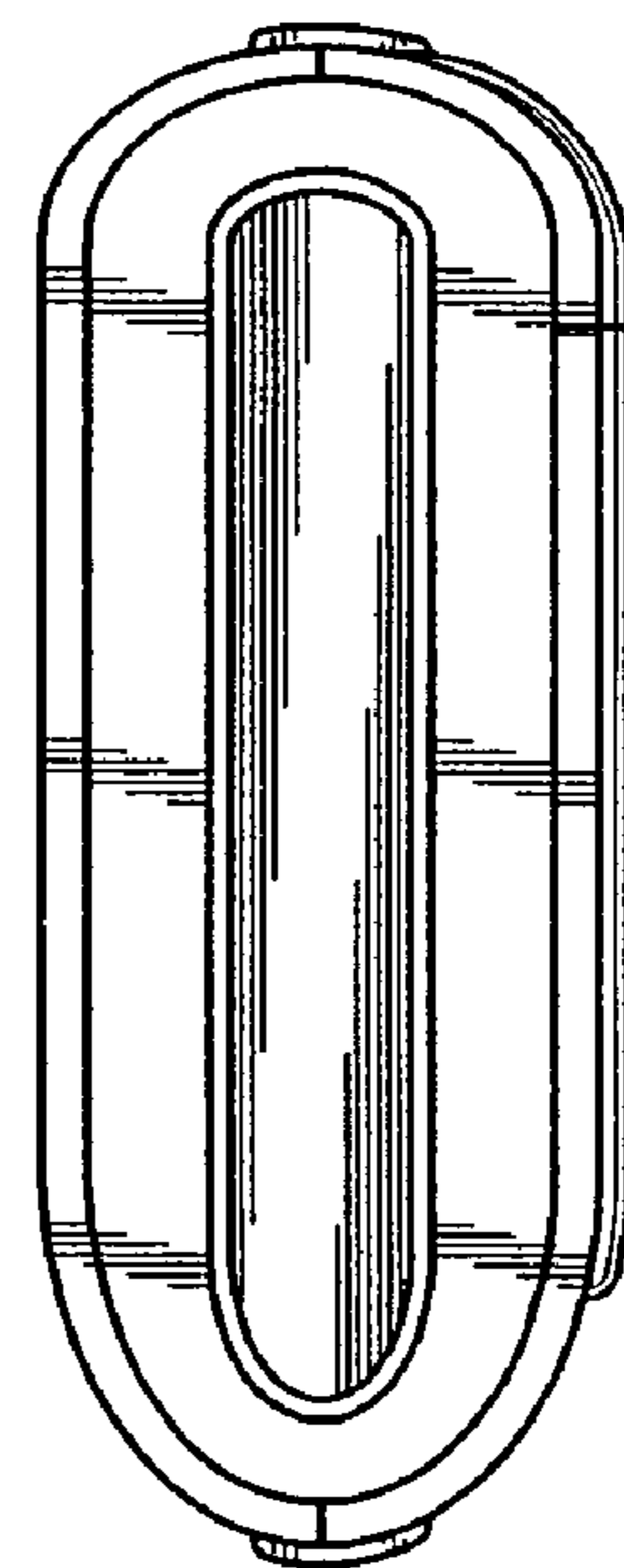


FIG. 5

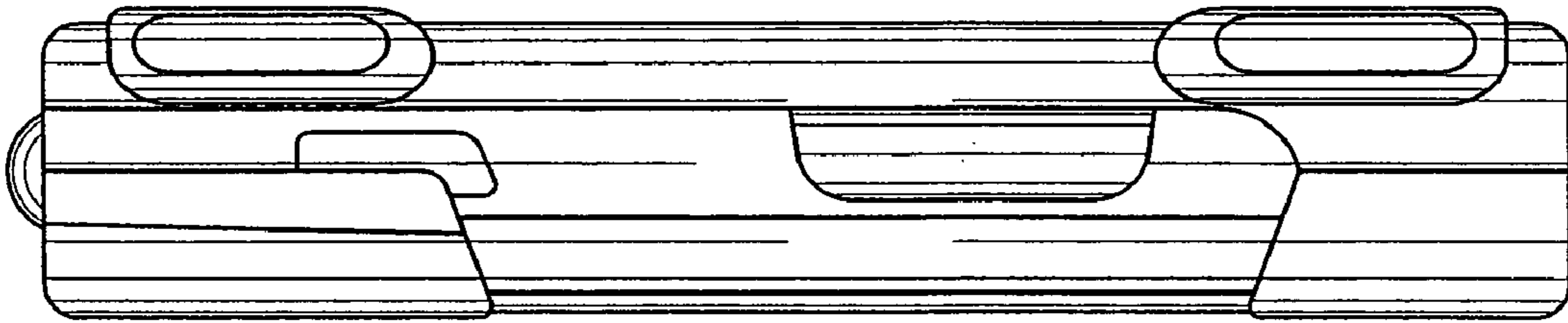


FIG. 6

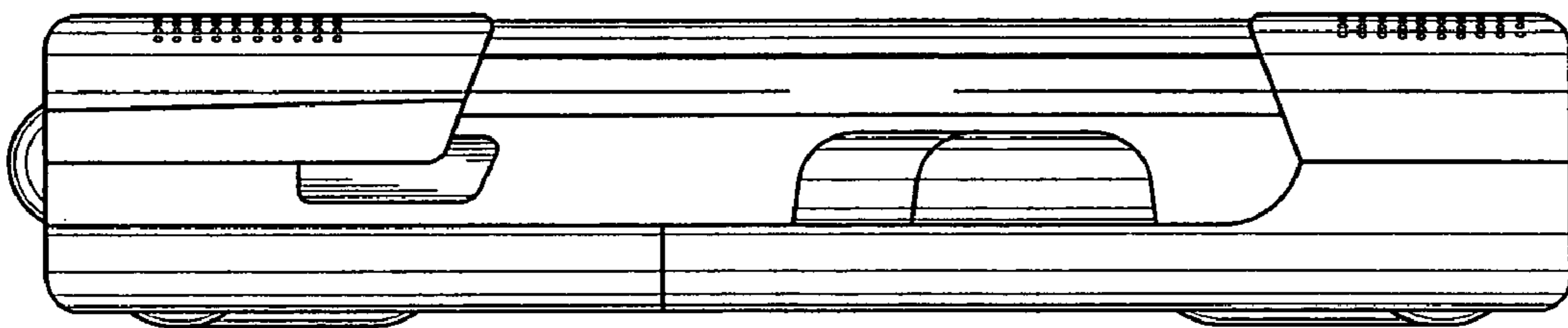


FIG. 7