



US00D546794S

(12) **United States Design Patent**  
**Kim et al.**

(10) **Patent No.:** **US D546,794 S**  
(45) **Date of Patent:** **\*\* Jul. 17, 2007**

(54) **PORTABLE PHONE**

(75) Inventors: **Young-Sae Kim**, Palo Alto, CA (US);  
**Chi-Young Ahn**, Seodaemun-Gu (KR);  
**Beom-Ku Han**, Seoul (KR);  
**Chang-Hwan Hwang**, Goyang-Si (KR)

(73) Assignee: **Samsung Electronics Co., Ltd.**,  
Suwon-Si (KR)

(\*\*) Term: **14 Years**

(21) Appl. No.: **29/234,739**

(22) Filed: **Jul. 22, 2005**

(30) **Foreign Application Priority Data**

Jan. 26, 2005 (KR) ..... 30-2005-0002647

(51) **LOC (8) Cl.** ..... **14-03**

(52) **U.S. Cl.** ..... **D14/138**

(58) **Field of Classification Search** ..... D14/191,  
D14/138, 147-148, 247-248, 144, 496, 156,  
D14/341-347; 379/433.01-433.13; 455/575.3,  
455/566, 575.1, 556.1, 556.2, 90.3; D21/517;  
D16/208

See application file for complete search history.

(56) **References Cited**

**U.S. PATENT DOCUMENTS**

- D401,577 S \* 11/1998 Yamaguchi ..... D14/138
- D440,955 S \* 4/2001 Tanaka et al. .... D14/138
- D443,866 S \* 6/2001 Arbisi et al. .... D14/138
- D469,070 S \* 1/2003 Lee ..... D14/138
- D474,168 S \* 5/2003 Wang et al. .... D14/138
- 6,628,508 B2 \* 9/2003 Lieu et al. .... 361/680
- D483,342 S \* 12/2003 Lee et al. .... D14/138
- D503,695 S \* 4/2005 Kota et al. .... D14/138
- D508,030 S \* 8/2005 Jeoung et al. .... D14/138
- D508,032 S \* 8/2005 Kim et al. .... D14/138

- D508,903 S \* 8/2005 Kim et al. .... D14/138
- D511,336 S \* 11/2005 Kim et al. .... D14/138
- D518,012 S \* 3/2006 Fuxen ..... D14/138
- D518,013 S \* 3/2006 Fuxen ..... D14/138
- D520,485 S \* 5/2006 Cho ..... D14/138
- D520,982 S \* 5/2006 Kim et al. .... D14/138

(Continued)

**FOREIGN PATENT DOCUMENTS**

- JP 1183513 \* 9/2003
- JP 1203742 \* 4/2004

**OTHER PUBLICATIONS**

Panasonic X11 telephone, announced 1st Q 2004, [online],  
[retrieved on Aug. 29, 2006]. Retrieved from Internet ,<URL:http://  
www.gsmarena.com>.\*

*Primary Examiner*—Jeffrey Asch

(74) *Attorney, Agent, or Firm*—Staas & Halsey LLP

(57) **CLAIM**

The ornamental design for the portable phone, as shown and  
described.

**DESCRIPTION**

FIG. 1 is a perspective view of the portable phone showing  
our design;

FIG. 2 is a front view thereof;

FIG. 3 is a rear view thereof;

FIG. 4 is a left side view thereof;

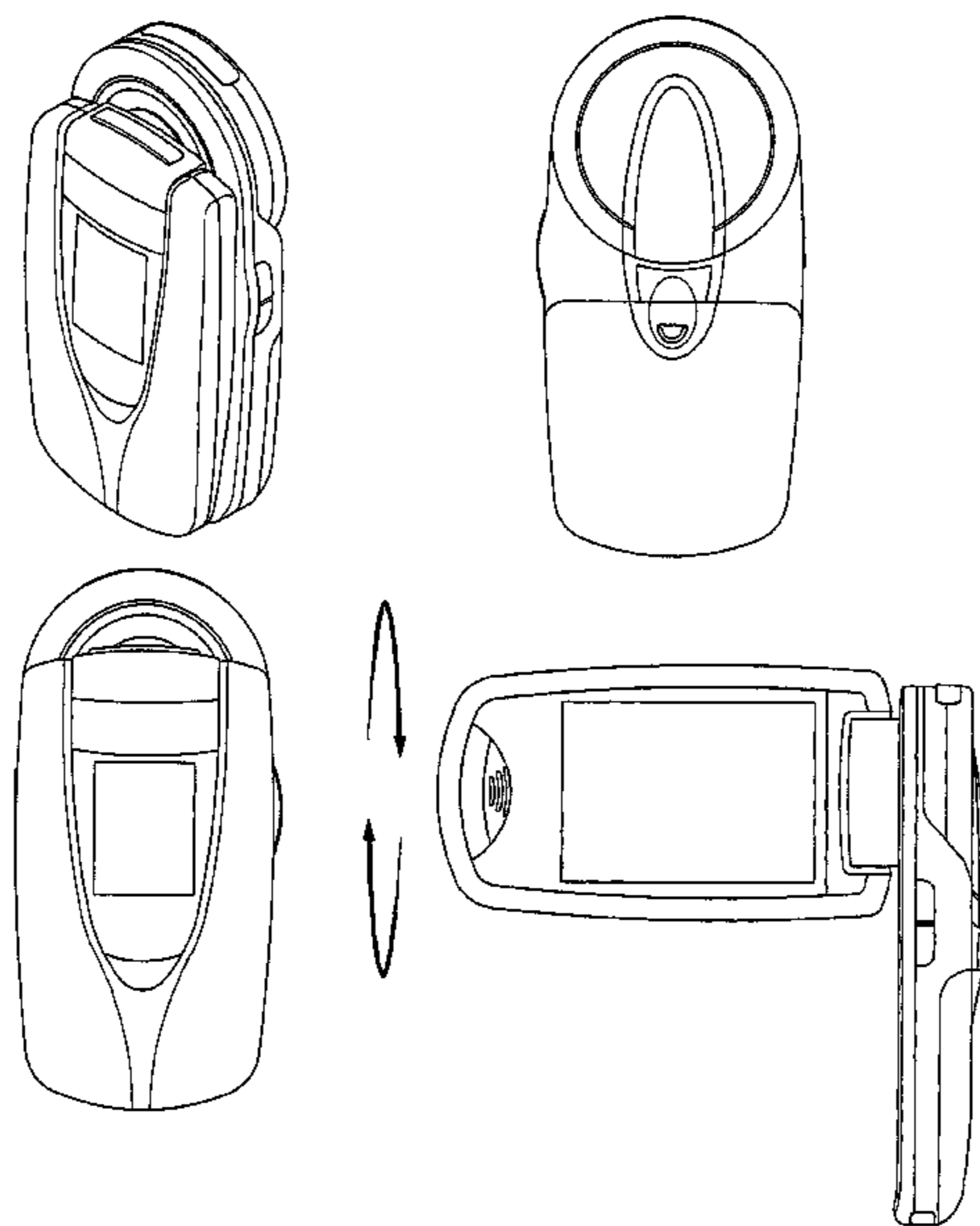
FIG. 5 is a right side view thereof;

FIG. 6 is a top plan view thereof;

FIG. 7 is a bottom plan view thereof; and,

FIG. 8 is a right side open view thereof with the front cover  
rotated to an alternate position.

**1 Claim, 5 Drawing Sheets**



# US D546,794 S

Page 2

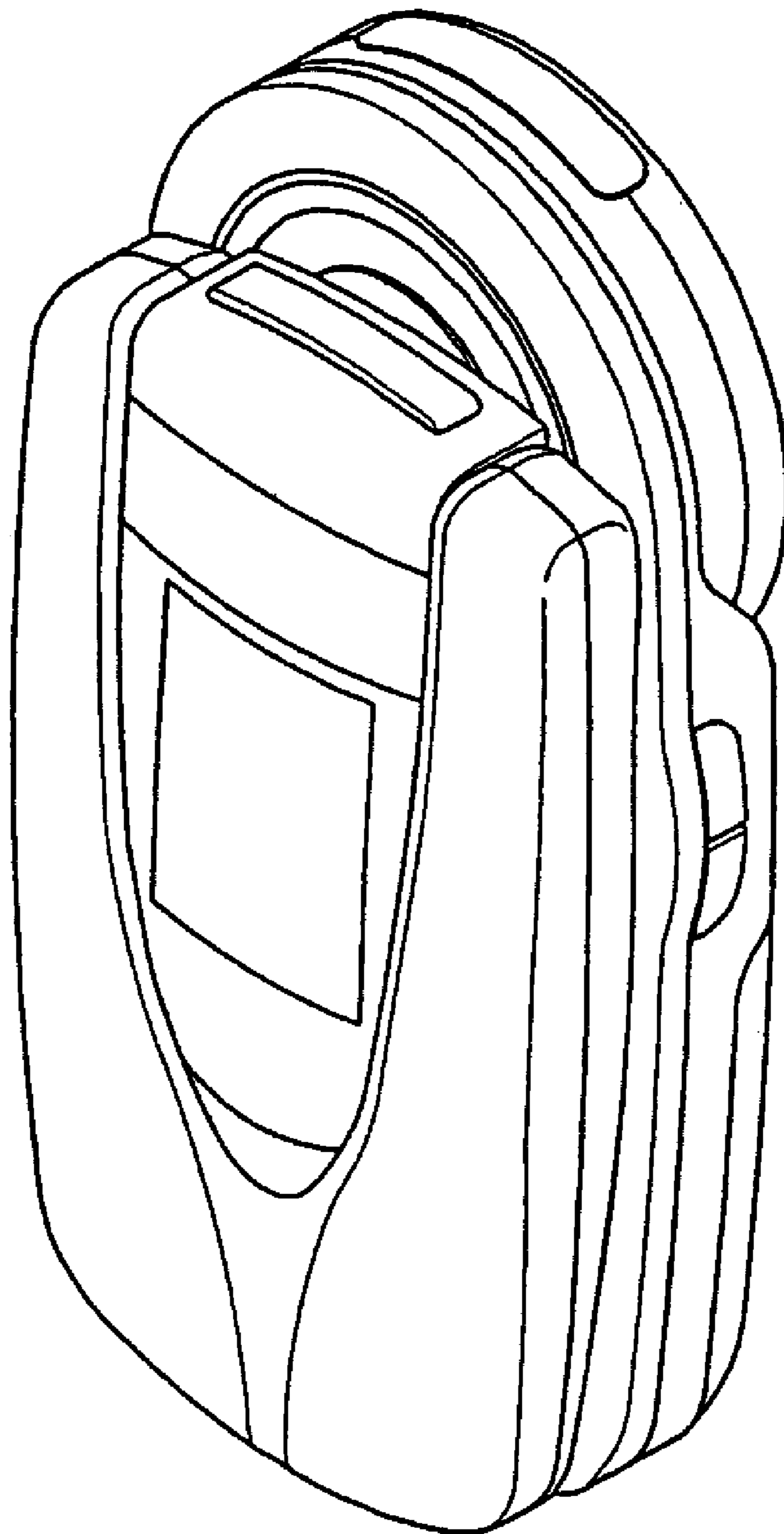
---

## U.S. PATENT DOCUMENTS

|                  |        |                    |         |                  |         |                       |           |
|------------------|--------|--------------------|---------|------------------|---------|-----------------------|-----------|
| D521,481 S *     | 5/2006 | Shin .....         | D14/138 | 2003/0153372 A1* | 8/2003  | Shimamura et al. .... | 455/575   |
| D522,482 S *     | 6/2006 | Jeoung et al. .... | D14/138 | 2004/0097258 A1* | 5/2004  | Lee et al. ....       | 455/550.1 |
| D523,833 S *     | 6/2006 | Koh et al. ....    | D14/138 | 2004/0198476 A1* | 10/2004 | Aikawa et al. ....    | 455/575.3 |
| D524,776 S *     | 7/2006 | Chang .....        | D14/138 | 2004/0242264 A1* | 12/2004 | Cho .....             | 455/550.1 |
| D524,785 S *     | 7/2006 | Huang .....        | D14/138 | 2005/0008185 A1* | 1/2005  | Jeong et al. ....     | 381/374   |
| 2003/0064758 A1* | 4/2003 | Mizula et al. .... | 455/566 | 2005/0026656 A1* | 2/2005  | Park et al. ....      | 455/557   |
| 2003/0078069 A1* | 4/2003 | Lindeman .....     | 455/550 | 2006/0154706 A1* | 7/2006  | Kim .....             | 455/575.4 |

\* cited by examiner

**FIG. 1**



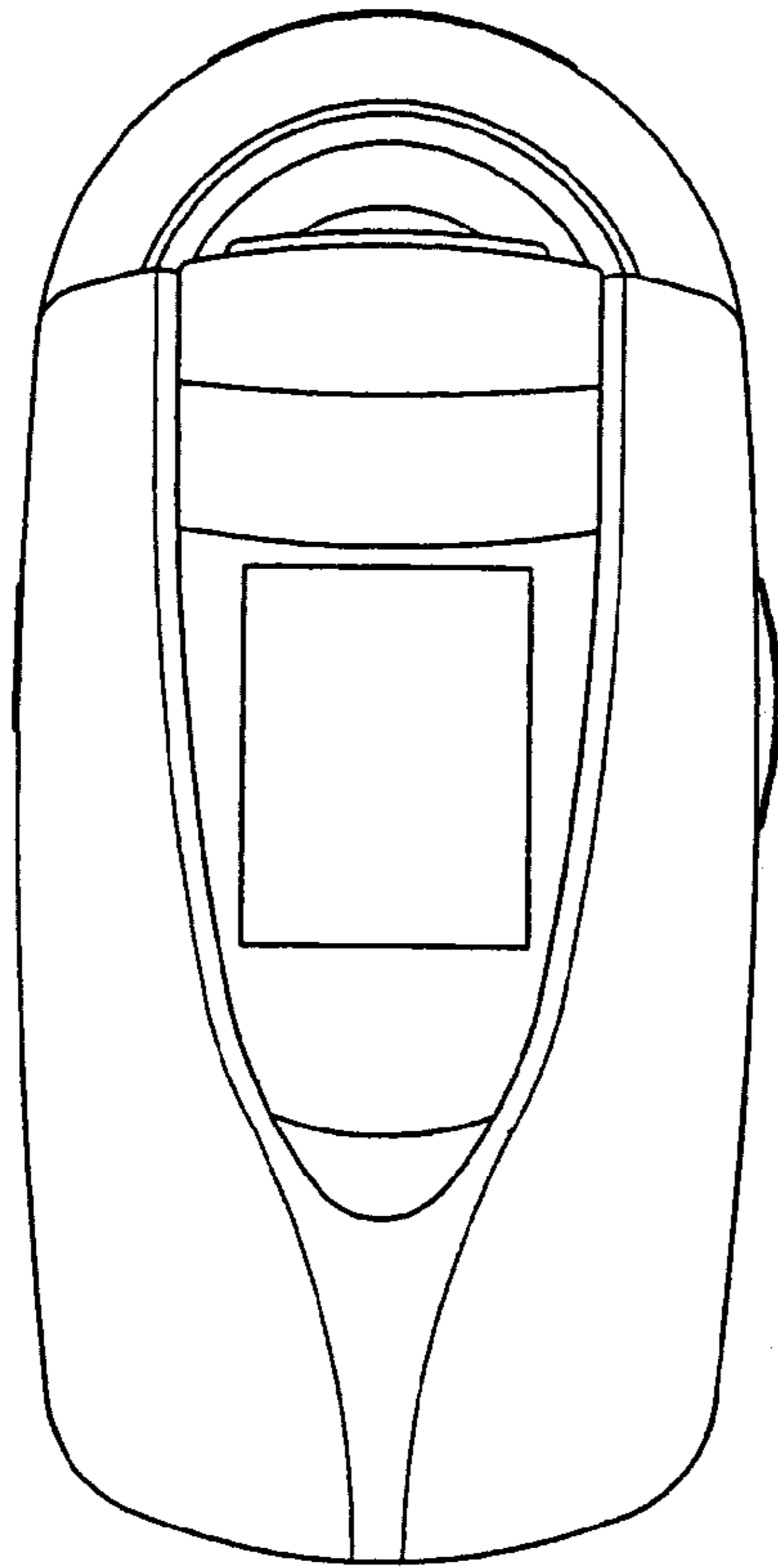


FIG. 2

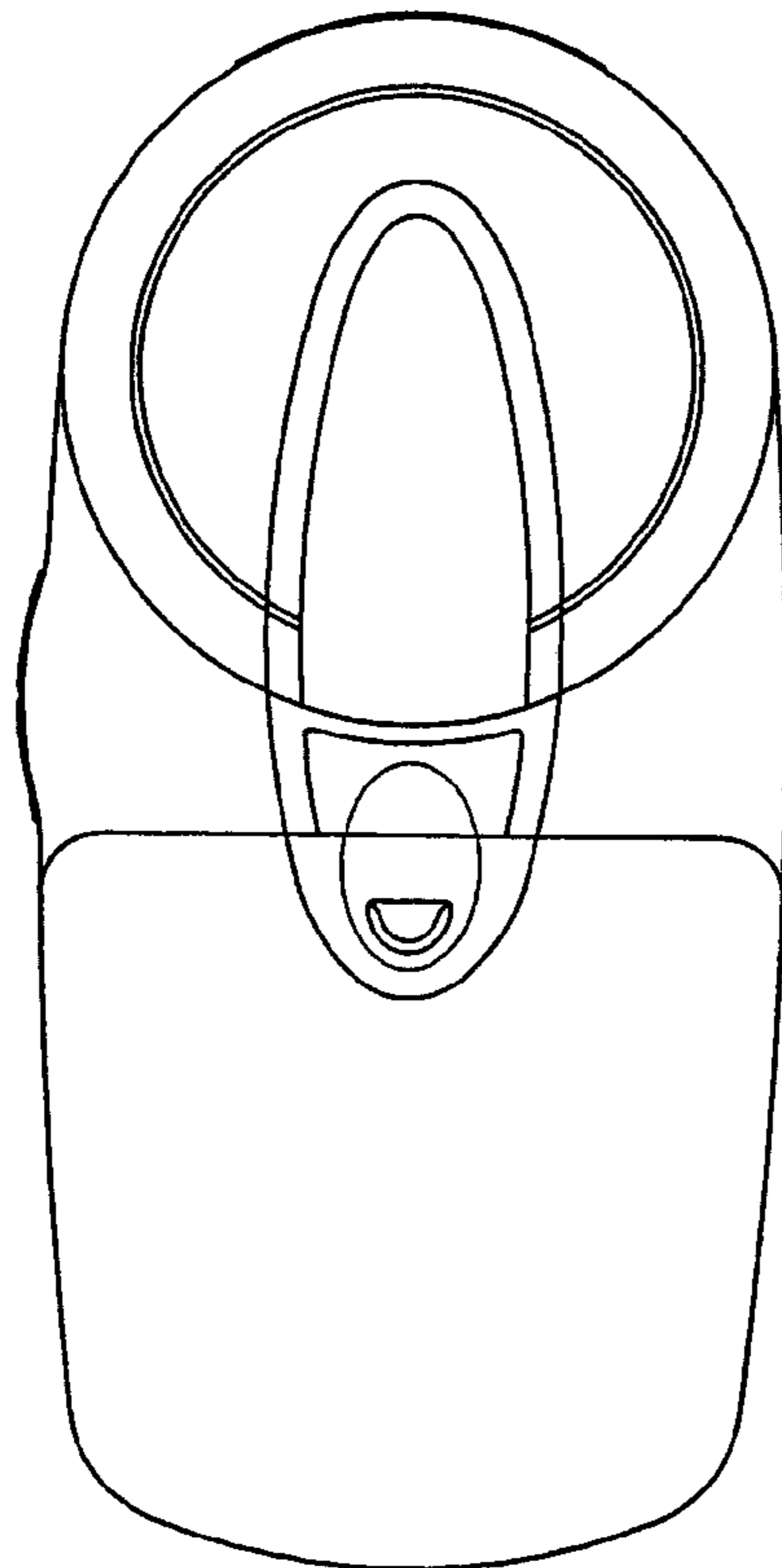


FIG. 3

FIG. 4

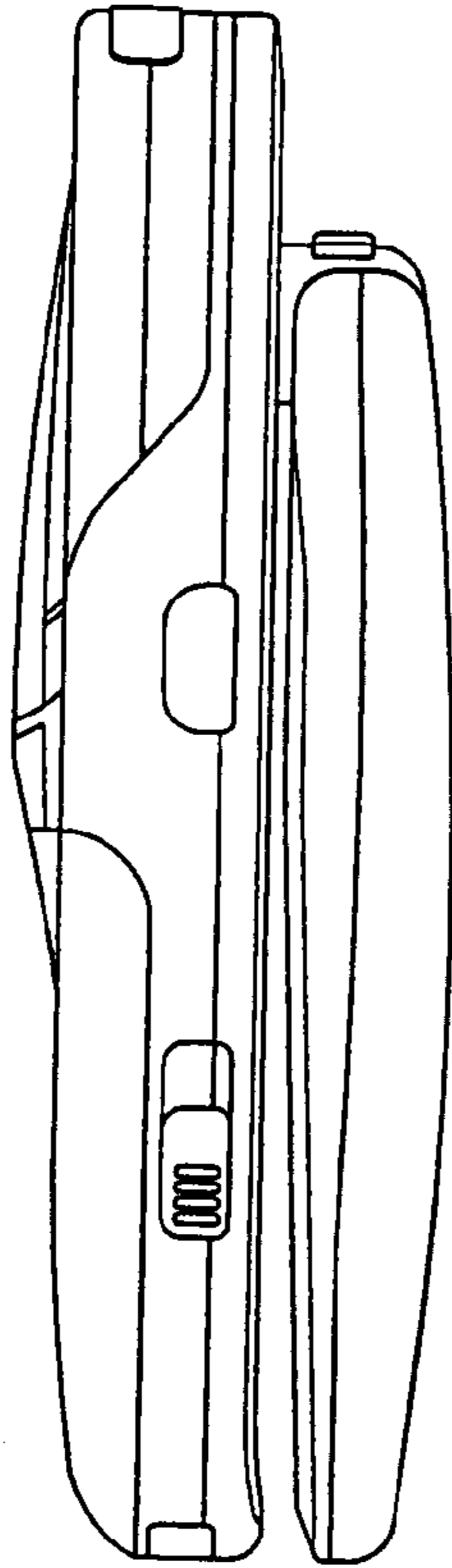
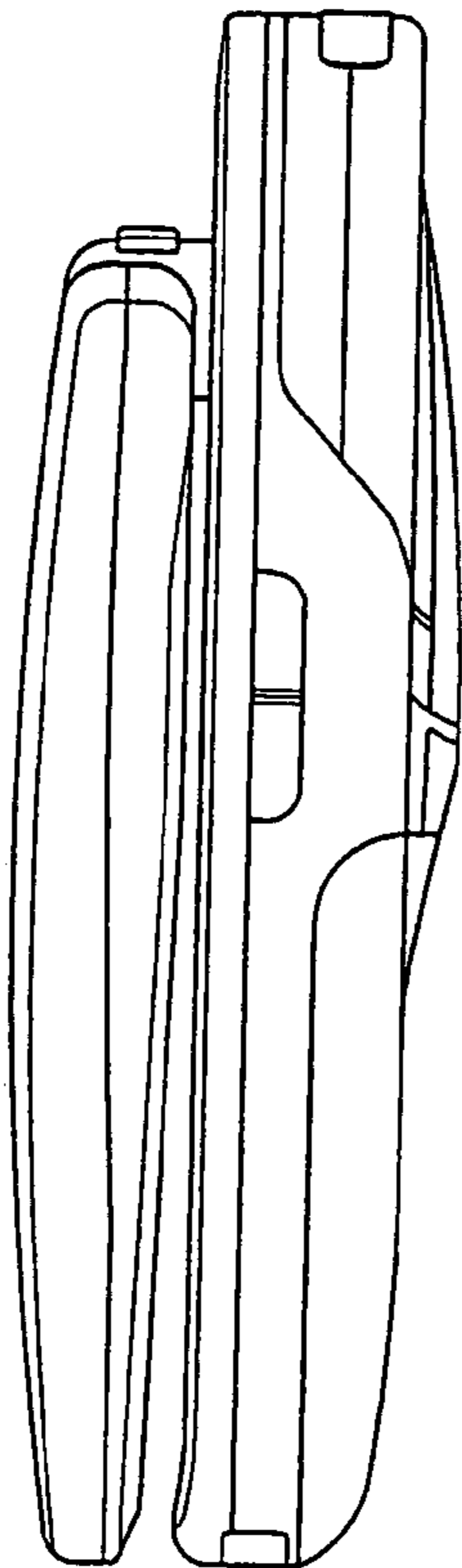
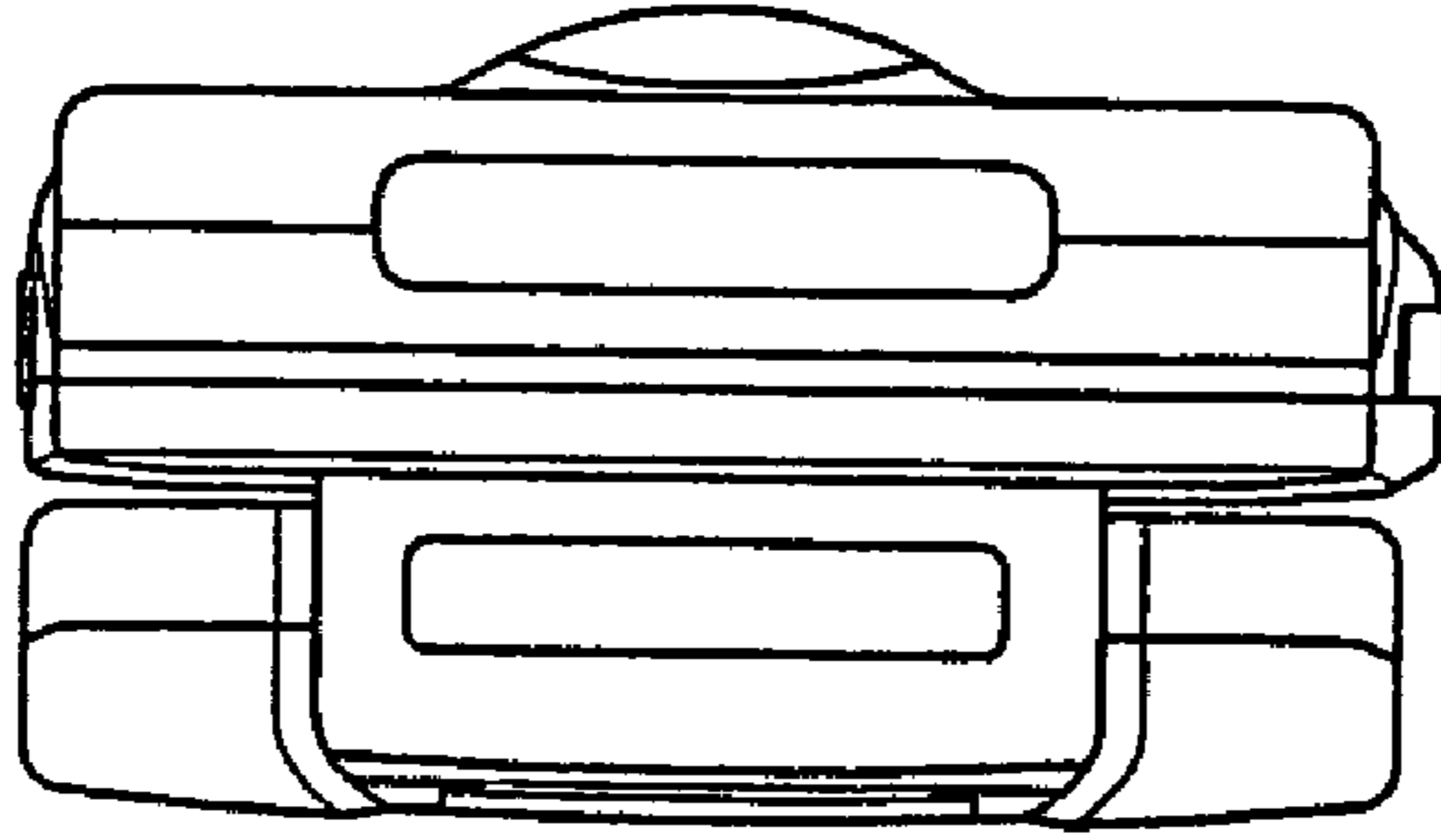


FIG. 5



**FIG. 6**



**FIG. 7**

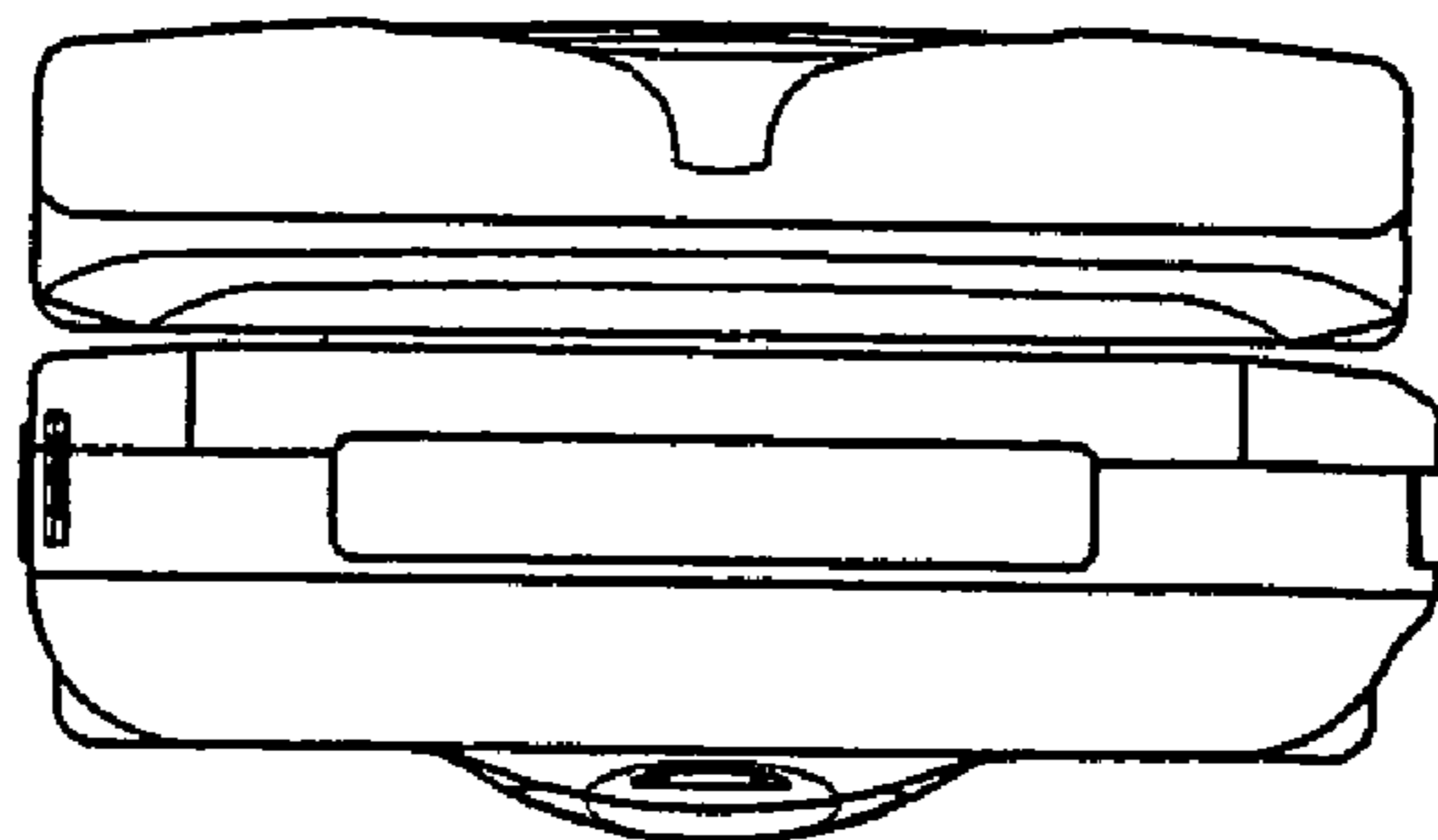


FIG. 8

