



US00D546792S

(12) **United States Design Patent**
Sahashi

(10) **Patent No.:** **US D546,792 S**

(45) **Date of Patent:** **** Jul. 17, 2007**

(54) **TELEVISION TELEPHONE**

(74) *Attorney, Agent, or Firm*—Bacon & Thomas PLLC

(75) Inventor: **Nozomu Sahashi**, Kishiwada (JP)

(57) **CLAIM**

(73) Assignee: **Ginganet Corporation**, Osaka-fu (JP)

The ornamental design for a television telephone, as shown and described.

(**) Term: **14 Years**

(21) Appl. No.: **29/223,448**

DESCRIPTION

(22) Filed: **Feb. 15, 2005**

FIG. 1 is a perspective view of a television telephone showing my new design;

(30) **Foreign Application Priority Data**

FIG. 2 is a front elevation view thereof;

Jan. 24, 2005 (JP) 2005-001673

FIG. 3 is a rear elevation view thereof;

(51) **LOC (8) Cl.** **14-03**

FIG. 4 is a left end elevation view thereof;

(52) **U.S. Cl.** **D14/130**

FIG. 5 is a right end elevation view thereof;

(58) **Field of Classification Search** D14/125–131,
D14/140, 144, 239, 240, 317, 323, 371–376,
D14/136, 496; D16/202–203, 213; 348/14.01–14.05,
348/14.08, 14.1, 14.12–14.15; 370/483;
379/440; 343/118; 455/550.1

FIG. 6 is a top view thereof;

See application file for complete search history.

FIG. 7 is a bottom view thereof;

FIG. 8 is a cross-sectional view thereof, taken along line A–A' in FIG. 6, with inner structure omitted;

(56) **References Cited**

FIG. 9 is a cross-sectional view thereof, taken along line B–B' in FIG. 6, with inner structure omitted;

U.S. PATENT DOCUMENTS

FIG. 10 is a cross-sectional view thereof, taken along line C–C' in FIG. 6, with inner structure omitted;

D359,042 S *	6/1995	Tamura	D14/130
D373,355 S *	9/1996	Huang et al.	D14/130
5,734,414 A *	3/1998	Nishimura et al.	348/14.05
D394,255 S *	5/1998	Napoleone et al.	D14/496
D400,549 S *	11/1998	Wakefield	D16/202
5,900,907 A *	5/1999	Malloy et al.	348/14.1
D416,250 S *	11/1999	Shirasu et al.	D14/125
D416,930 S *	11/1999	Choi	D16/203
D433,046 S *	10/2000	Hall et al.	D16/202
D445,815 S *	7/2001	Gatto	D16/202
D497,925 S *	11/2004	Zhang et al.	D16/202

FIG. 11 is a cross-sectional view thereof, taken along line D–D' in FIG. 6, with inner structure omitted;

FIG. 12 is a cross-sectional view thereof, taken along line E–E' in FIG. 6, with inner structure omitted;

FIG. 13 is a side elevation view thereof wherein the arm and camera portions are in a housed condition; and,

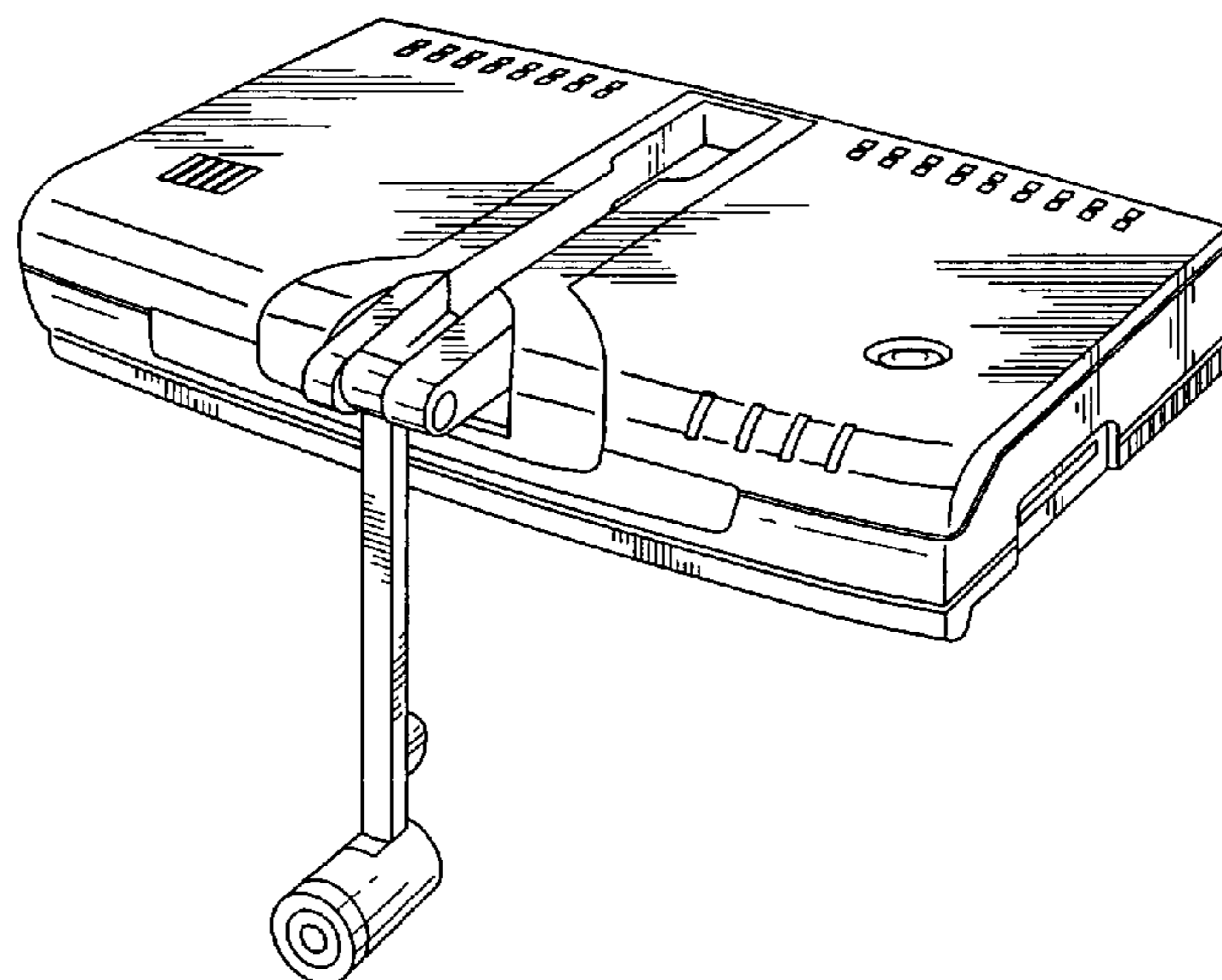
FIG. 14 is a top plan view thereof showing the arm and camera portions in a housed condition.

The broken line showing of environmental features in FIGS. 4, 5, and 12 is for illustrative purposes only and forms no part of the claimed design.

* cited by examiner

Primary Examiner—Charles A. Rademaker
Assistant Examiner—Carla Jobe Wright

1 Claim, 7 Drawing Sheets



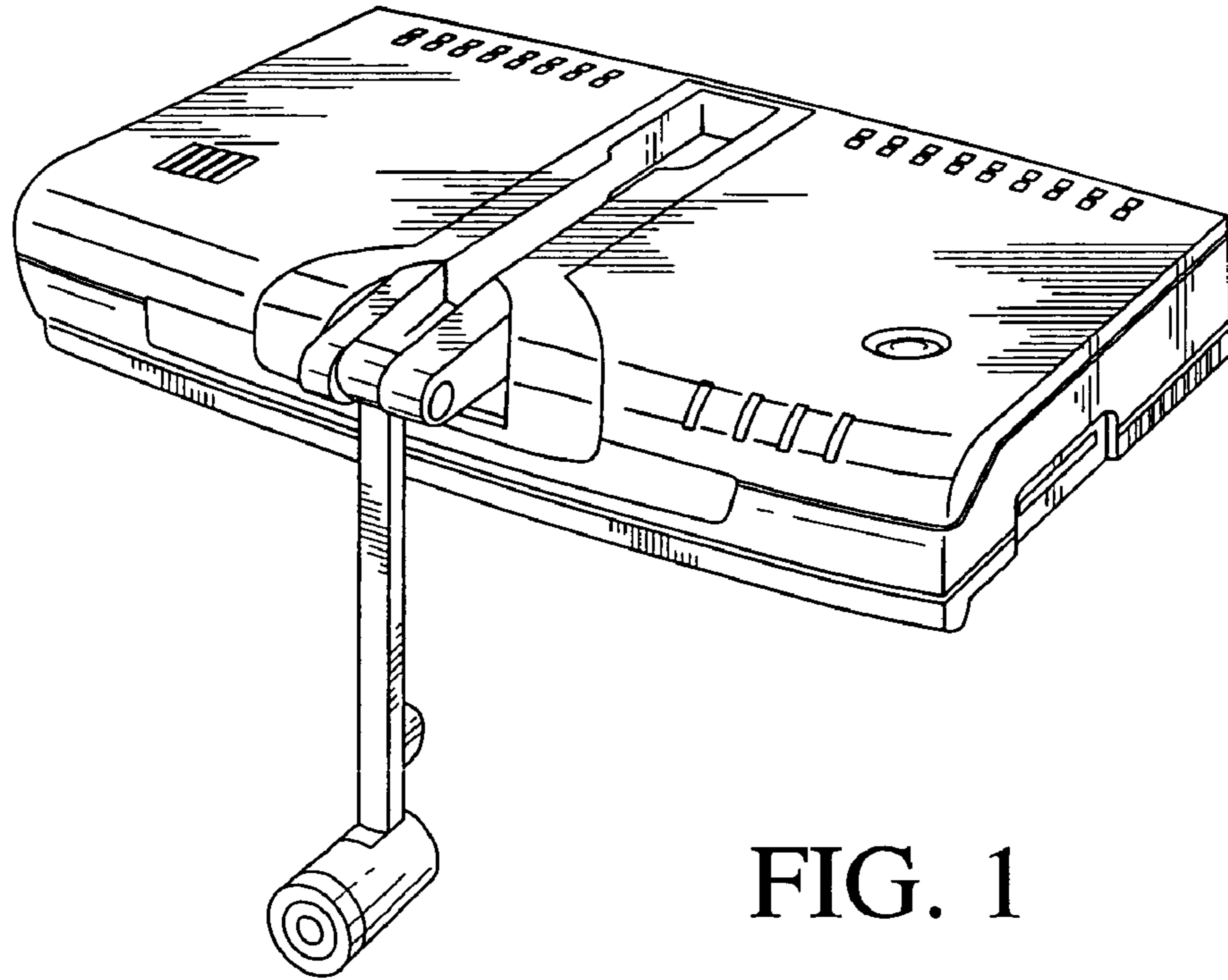


FIG. 1

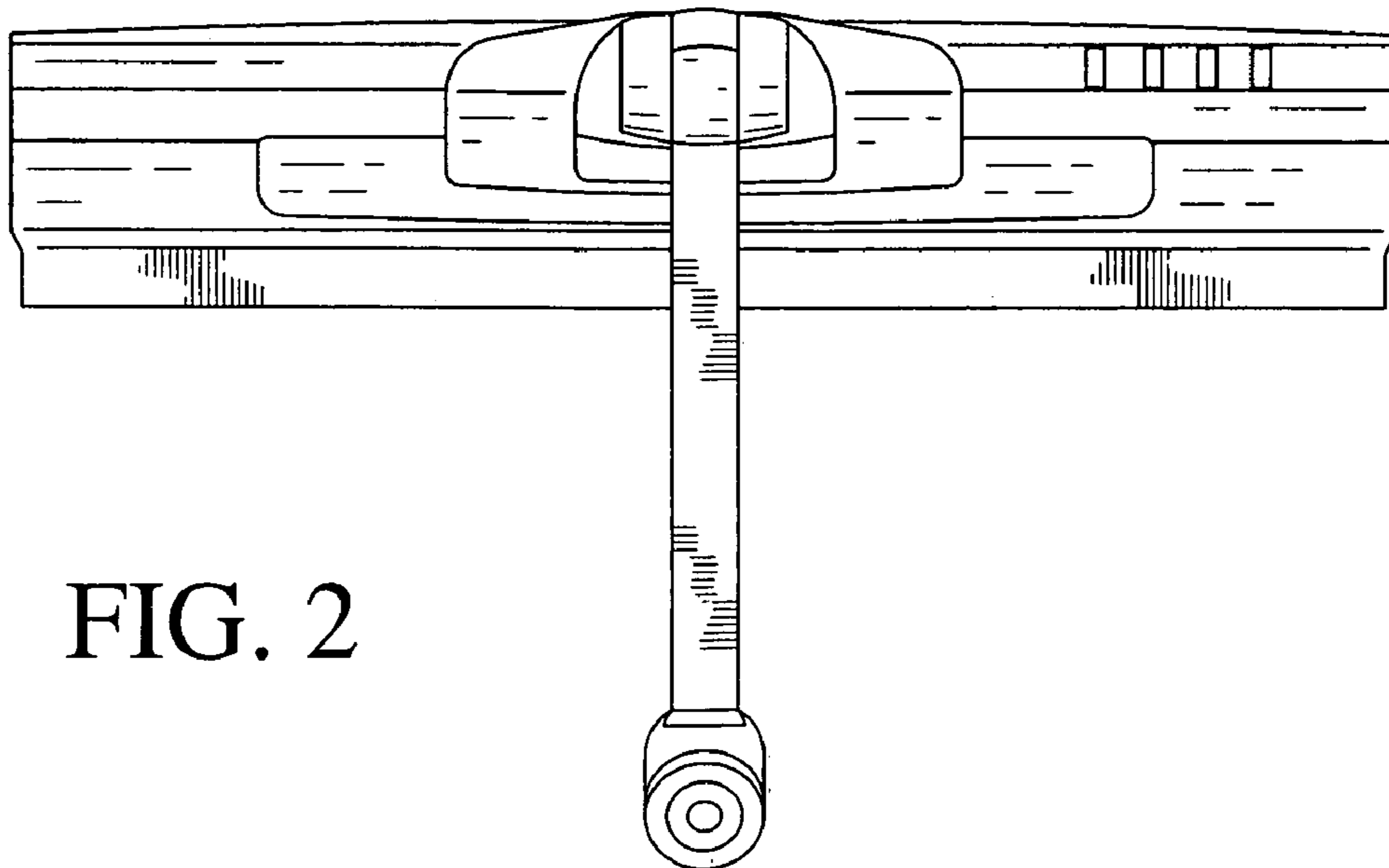


FIG. 2

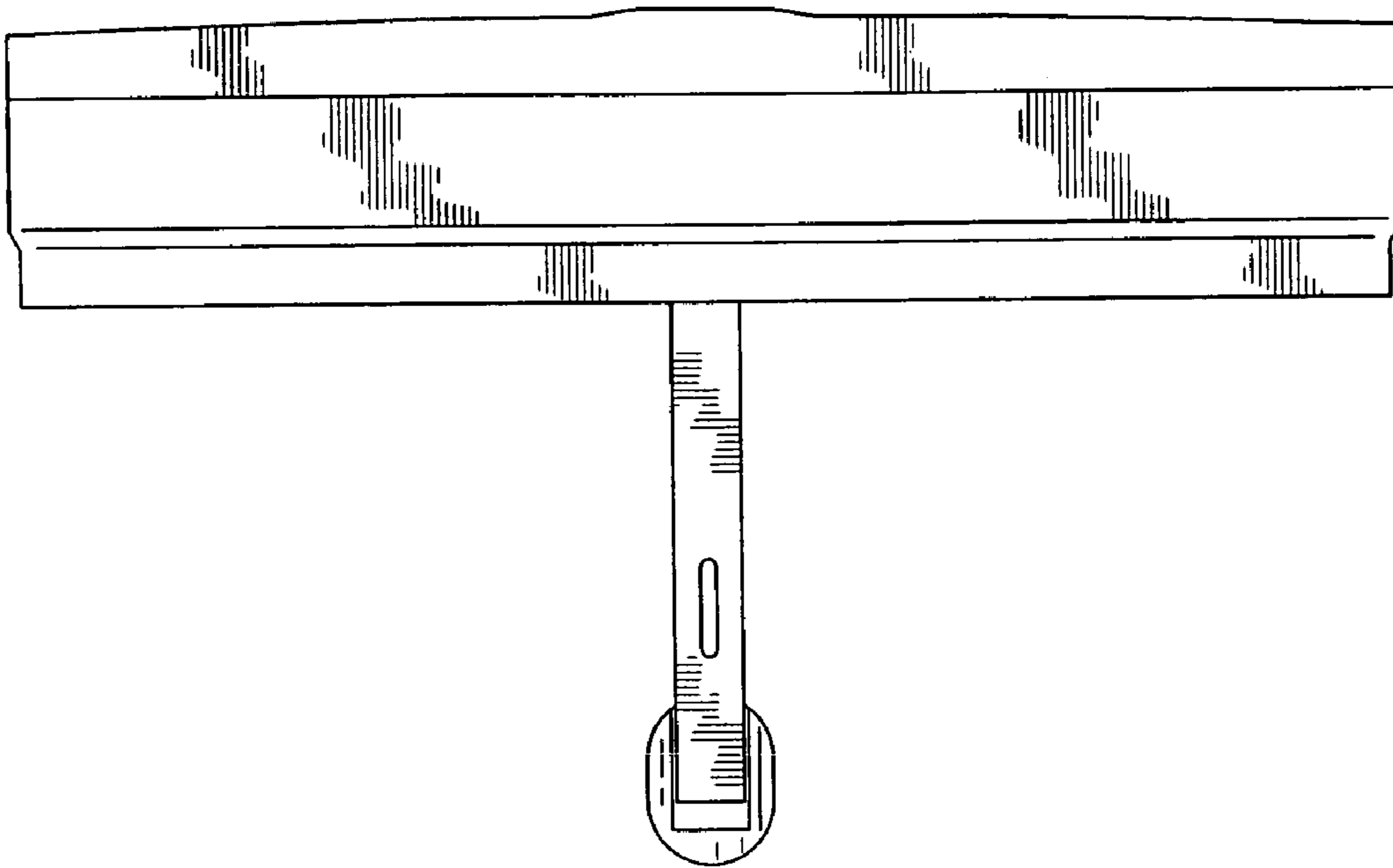


FIG. 3

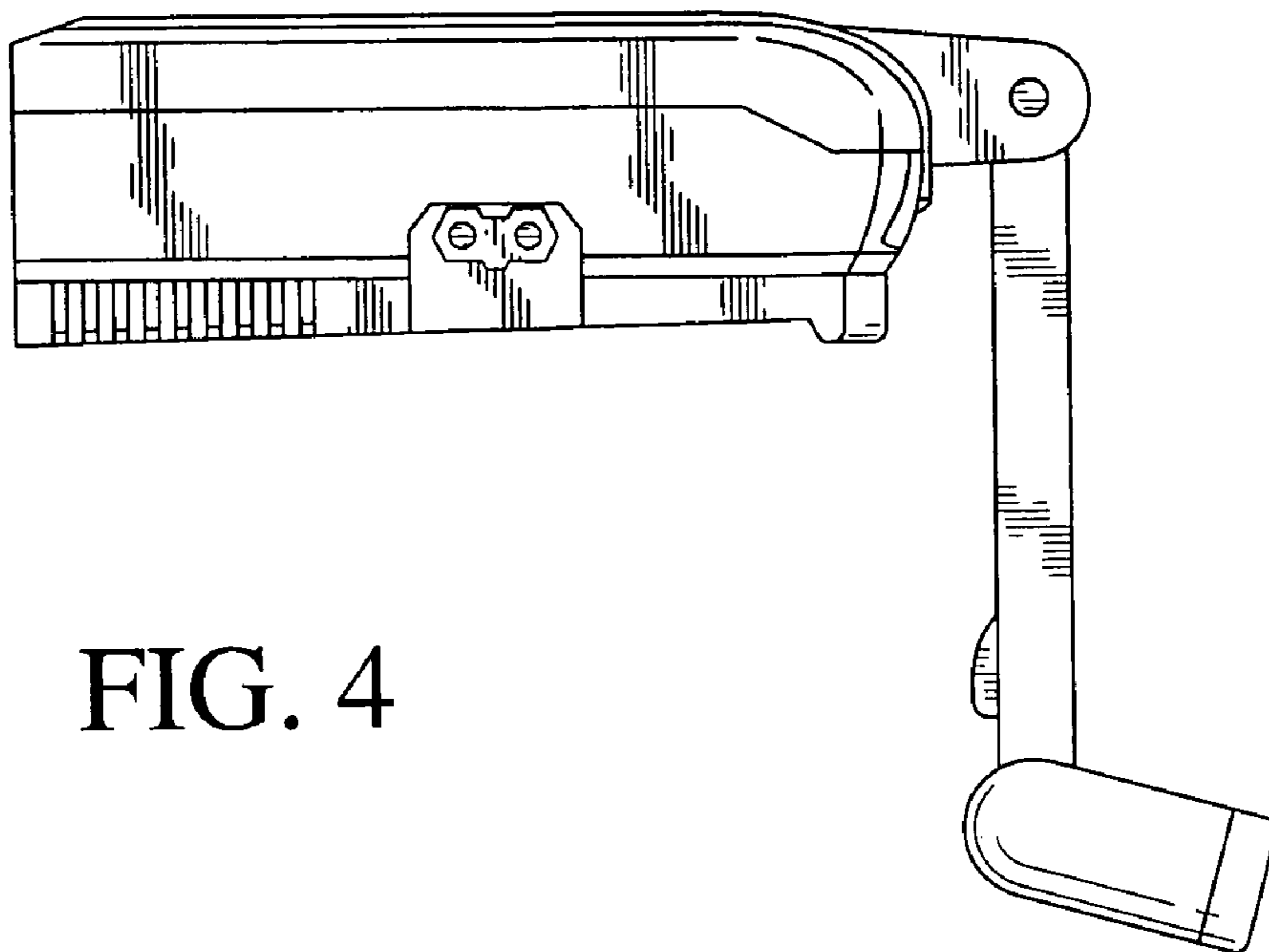


FIG. 4

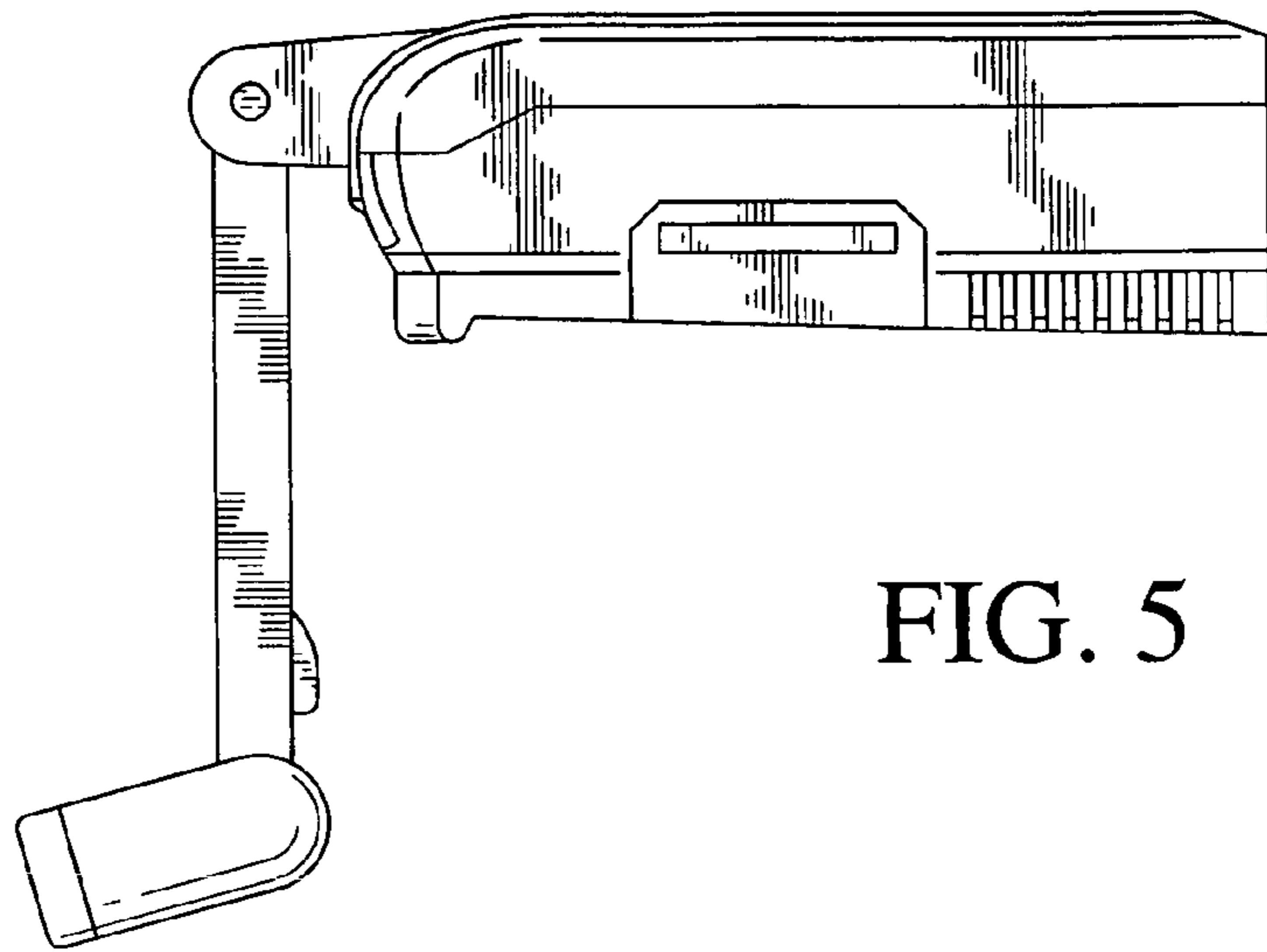


FIG. 5

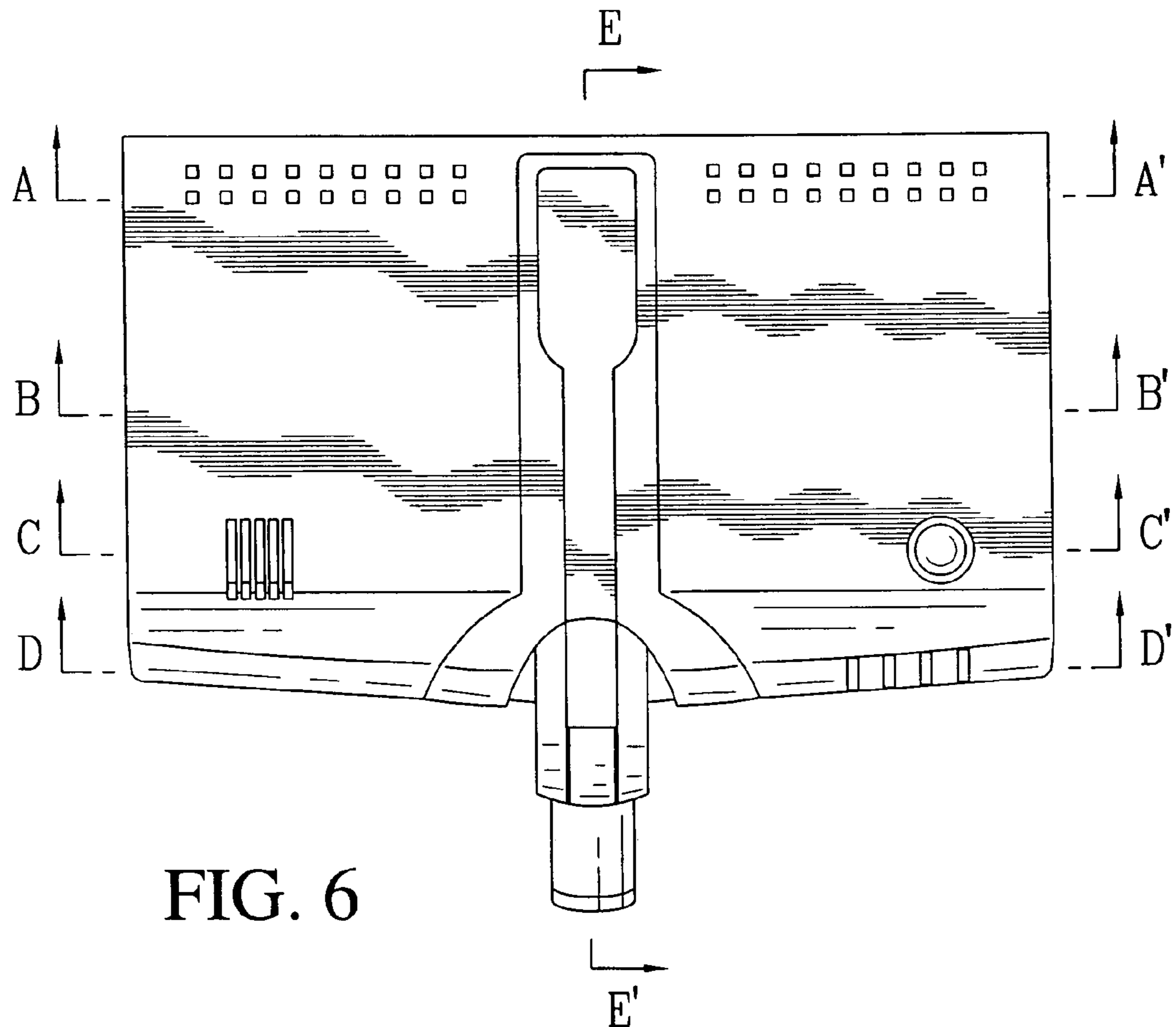


FIG. 6

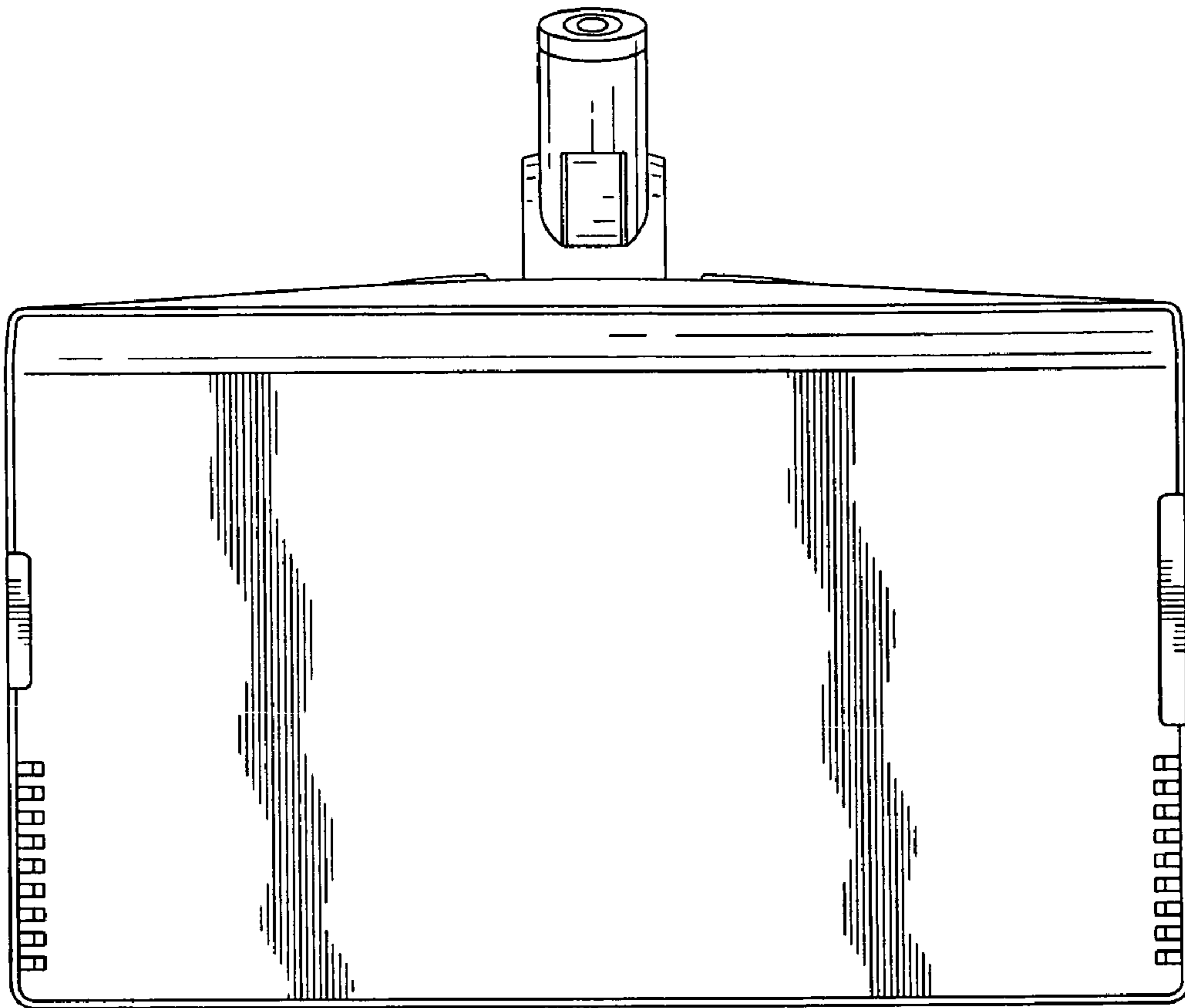


FIG. 7

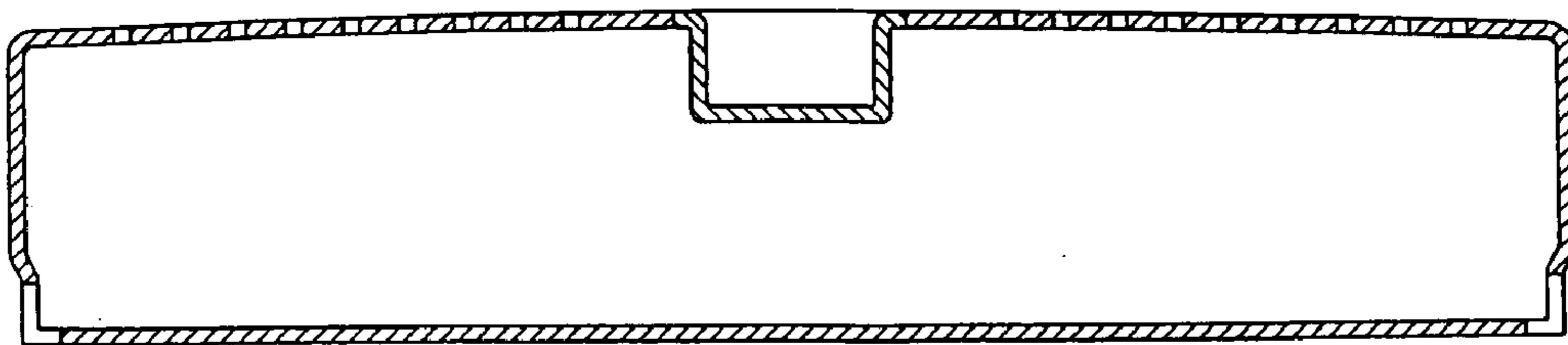


FIG. 8

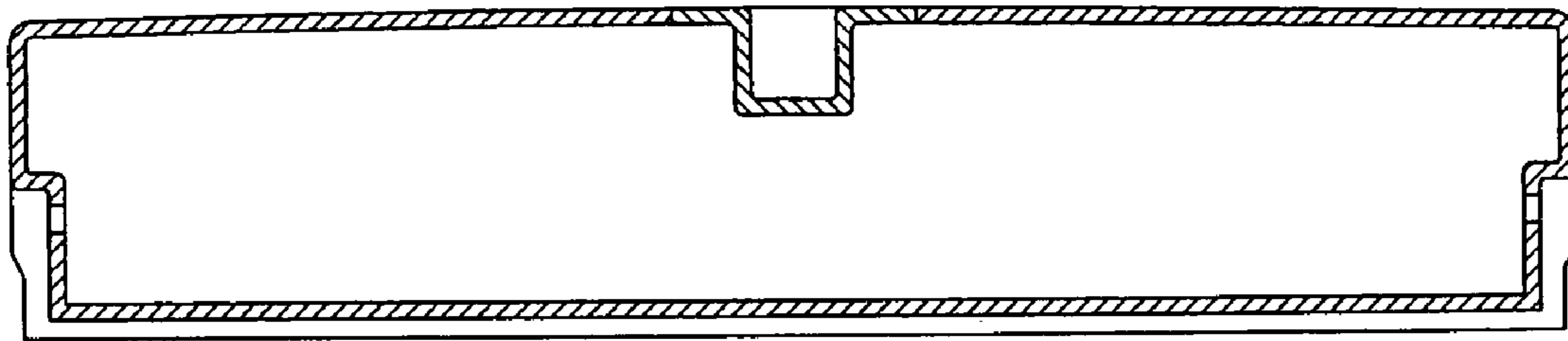


FIG. 9

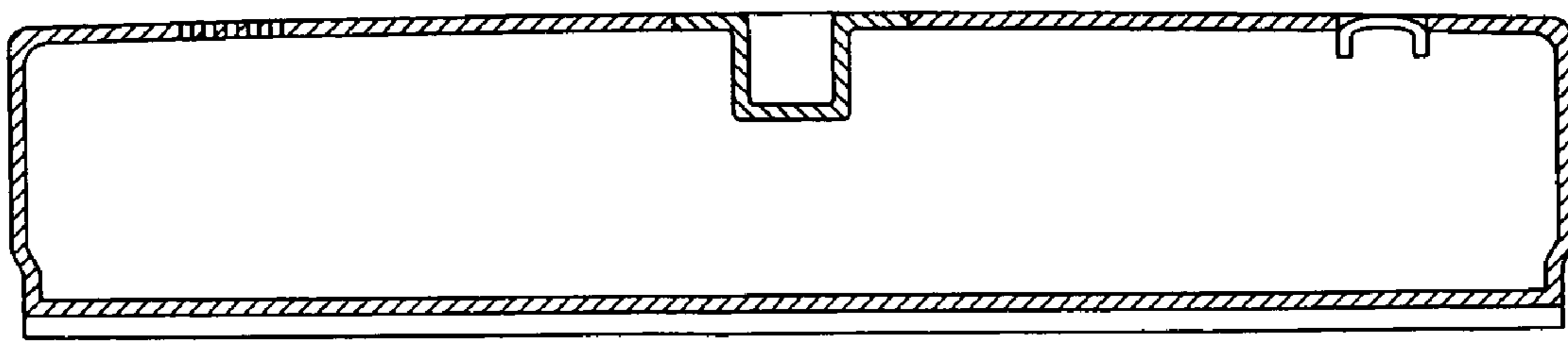


FIG. 10

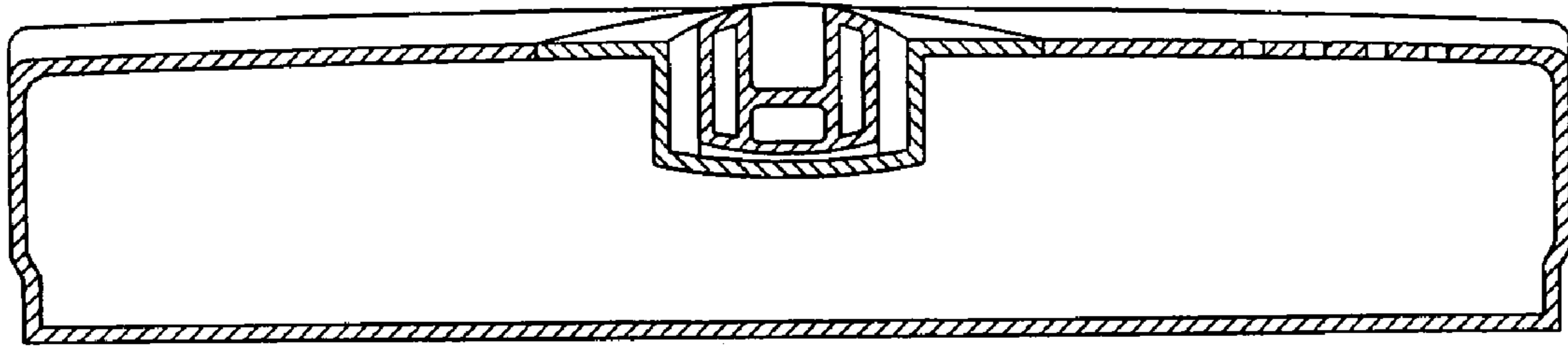


FIG. 11

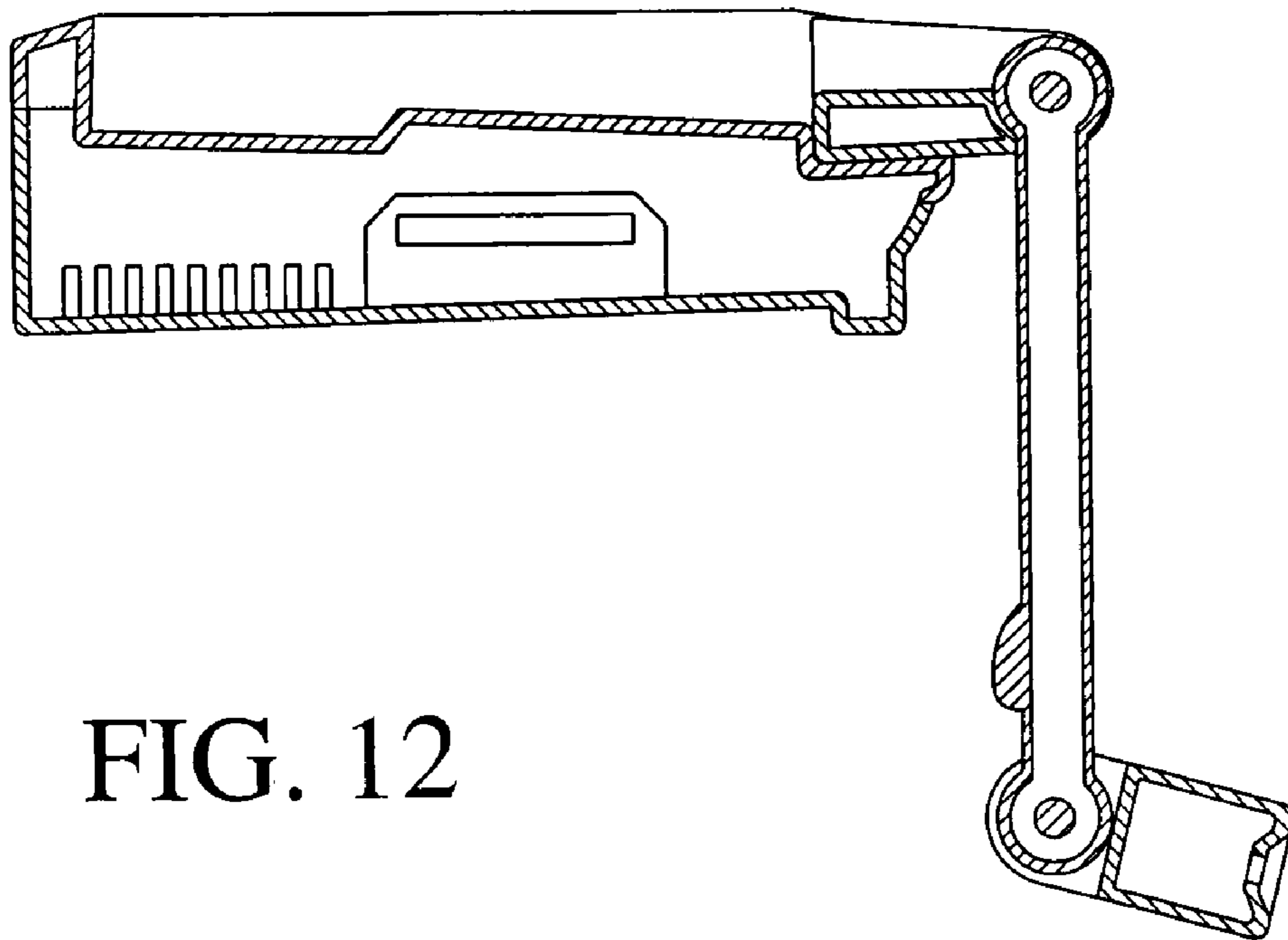


FIG. 12

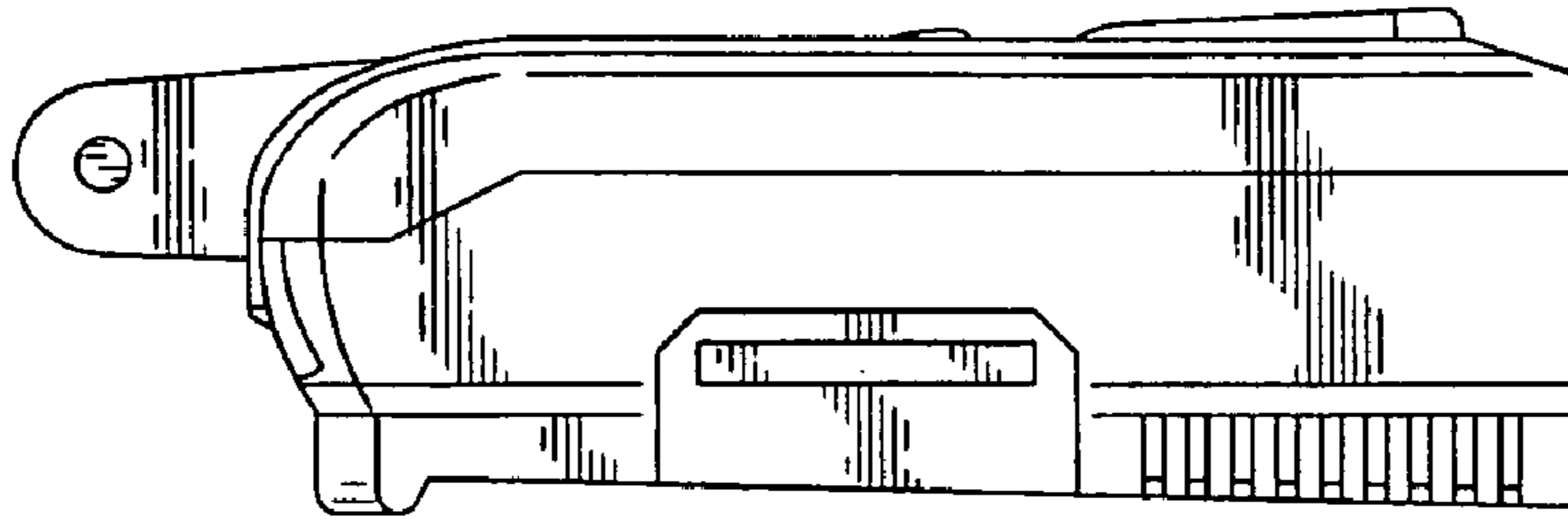


FIG. 13

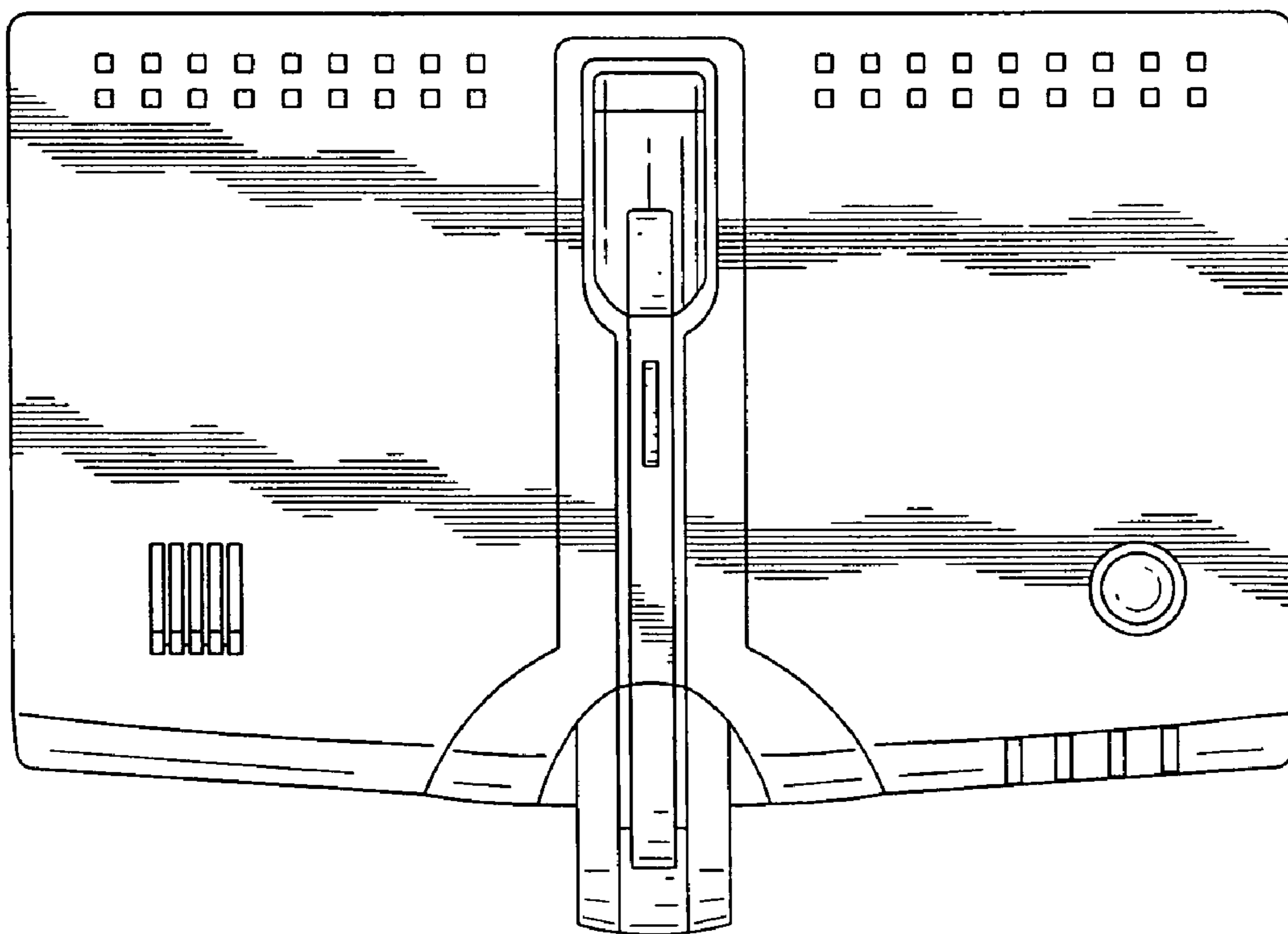


FIG. 14