

US00D546785S

(12) **United States Design Patent** (10) **Patent No.:** **US D546,785 S**
Mathews et al. (45) **Date of Patent:** **** Jul. 17, 2007**

(54) **SET TOP BOX**

(75) Inventors: **Carol A. Mathews**, Havertown, PA (US); **Charles R. Herrmann**, Rydal, PA (US); **Federico Sanchez**, North Wales, PA (US); **William J. Storti**, Haverford, PA (US); **Paul Ocepek**, Norfolk, MA (US)

(73) Assignee: **General Instrument Corporation**, Horsham, PA (US)

(**) Term: **14 Years**

(21) Appl. No.: **29/254,944**

(22) Filed: **Mar. 2, 2006**

(51) **LOC (8) Cl.** **14-03**

(52) **U.S. Cl.** **D14/125**

(58) **Field of Classification Search** D14/125-134, D14/239, 371, 374-376, 135, 136, 492, 299, D14/356, 361-363, 365, 496; 312/7.2, 208.1-223.2; 348/836, 838, 180, 184, 325, 739, 10, 460; 341/12; 248/917-924; 345/104, 133, 156, 345/168, 87; 361/690-696
 See application file for complete search history.

(56) **References Cited**

U.S. PATENT DOCUMENTS

D368,088 S *	3/1996	Cha	D14/135
D407,393 S *	3/1999	Kazama	D14/125
D422,993 S *	4/2000	Storti et al.	D14/432
D434,043 S *	11/2000	Holland et al.	D14/444

D434,737 S *	12/2000	Jensen et al.	D14/125
D459,319 S *	6/2002	Ahn	D14/125
D462,941 S *	9/2002	Woo	D14/136
D469,066 S *	1/2003	Takahashi	D14/125
D485,542 S *	1/2004	Wu et al.	D14/136
D488,819 S *	4/2004	Nagao et al.	D14/496
D506,451 S *	6/2005	Peng	D14/136

* cited by examiner

Primary Examiner—Raphael Barkai

Assistant Examiner—Randall H. Gholson

(74) *Attorney, Agent, or Firm*—Thomas Bethea, Jr.

(57) **CLAIM**

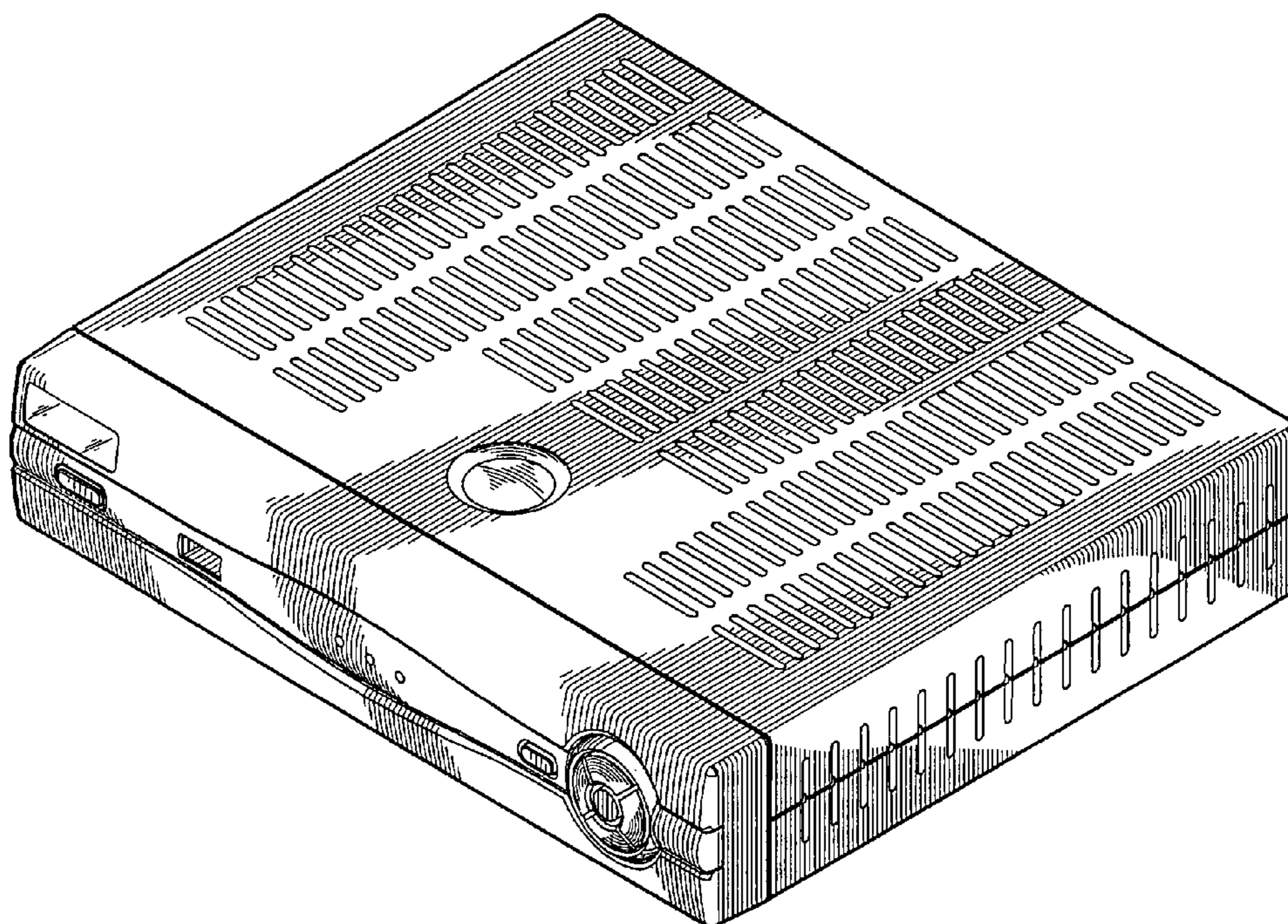
The ornamental design for a set top box, as shown and described.

DESCRIPTION

FIG. 1 is a perspective view of a set top box in accordance with an exemplary embodiment of the present invention; FIG. 2 is a top view of the set top box of FIG. 1; FIG. 3 is a bottom view of the set top box of FIG. 1; FIG. 4 is a front view of the set top box of FIG. 1; FIG. 5 is a rear view of the set top box of FIG. 1; FIG. 6 is a side view of the set top box of FIG. 1; and, FIG. 7 is a side view of the set top box of FIG. 1.

The portions drawn in broken lines are shown for illustrative purposes only and do not form part of the claimed design.

1 Claim, 4 Drawing Sheets



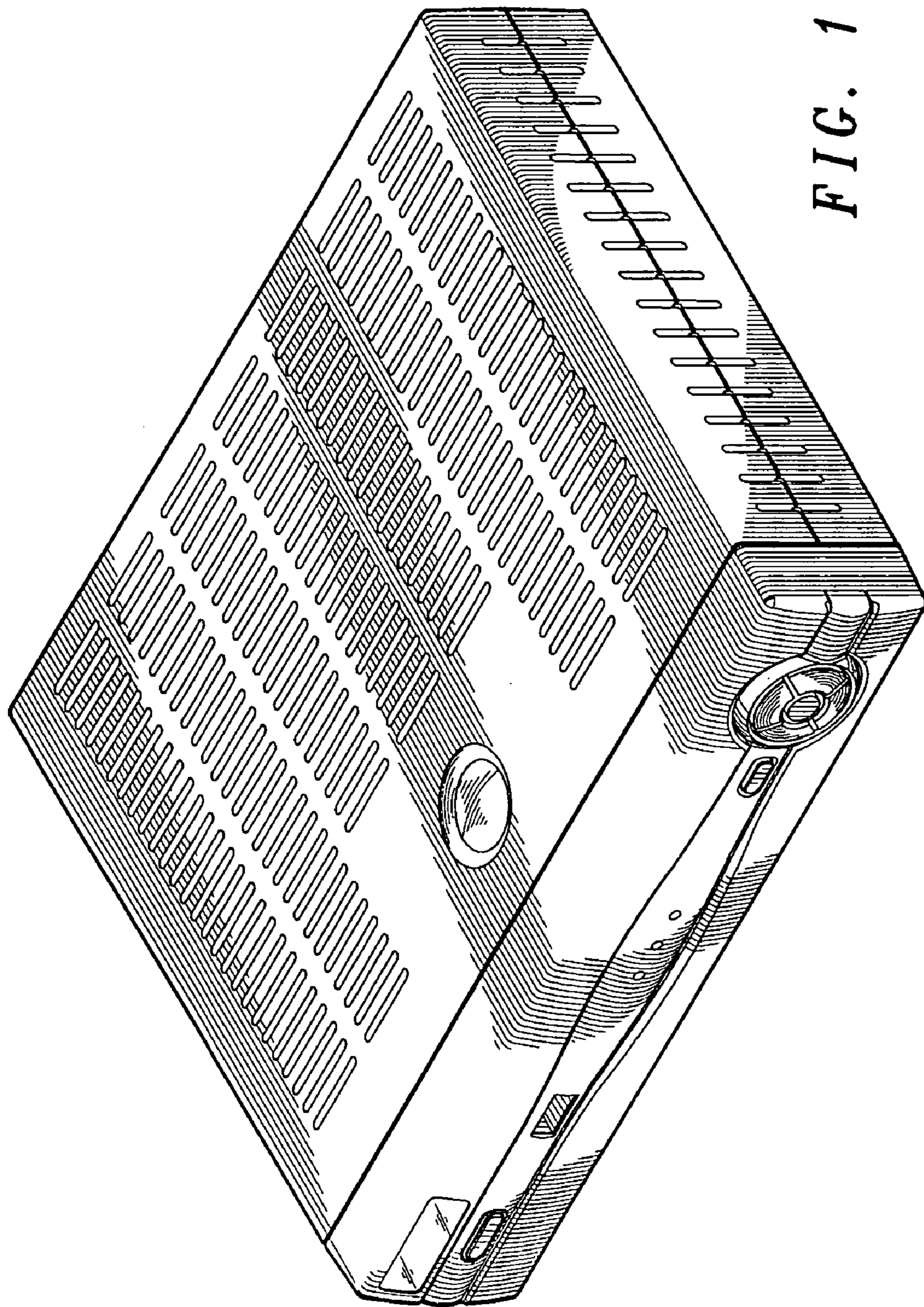


FIG. 1

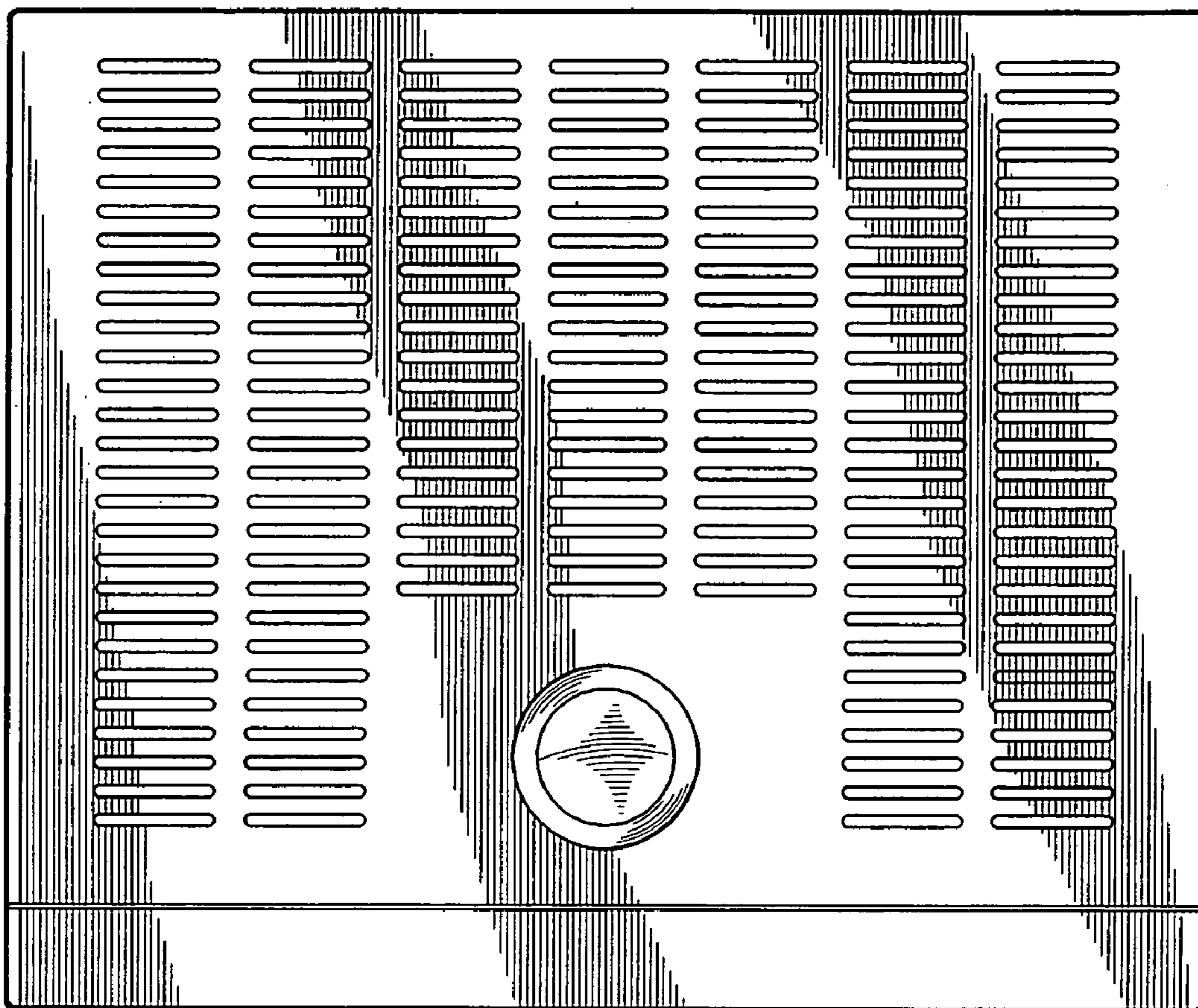


FIG. 2

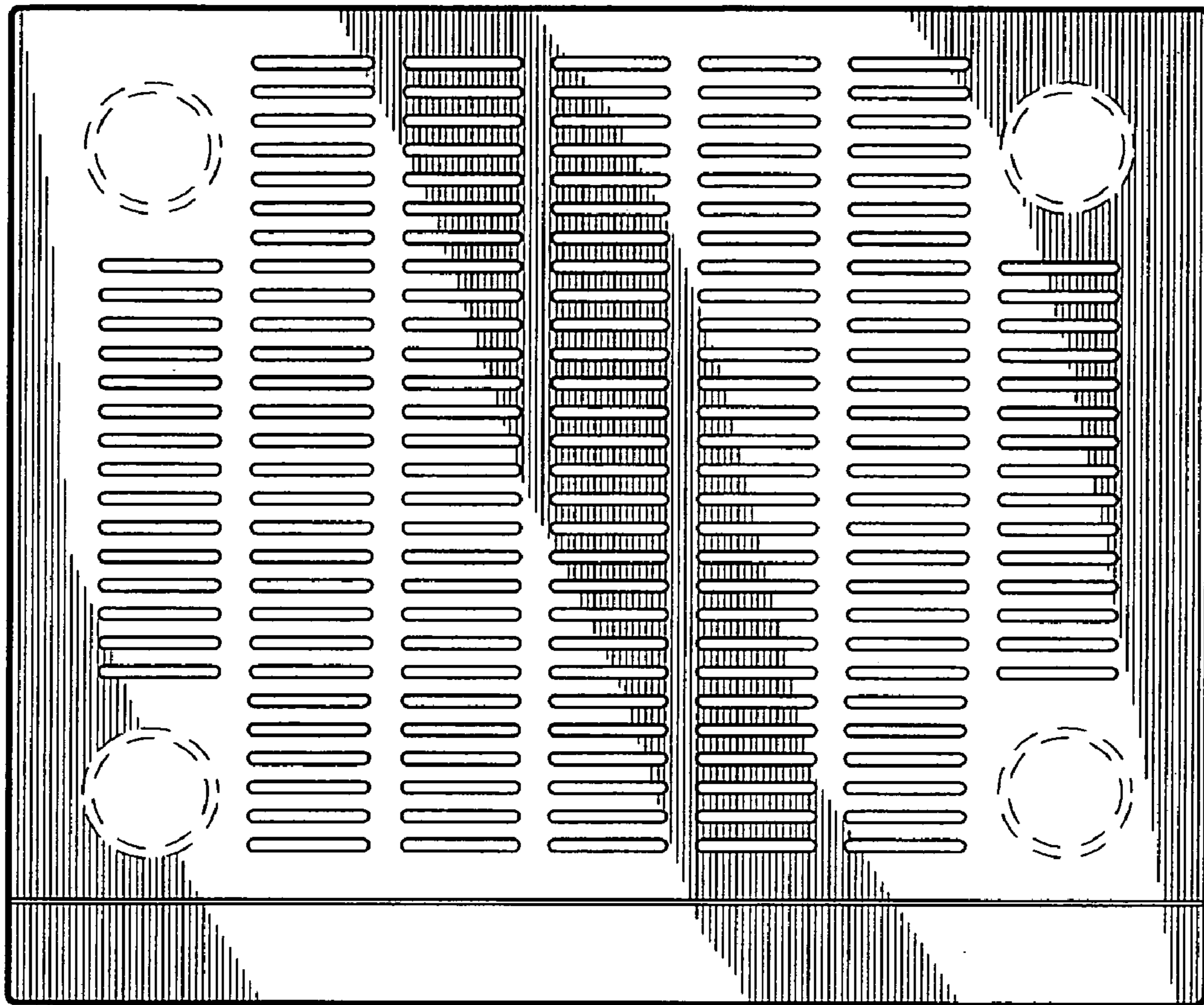


FIG. 3

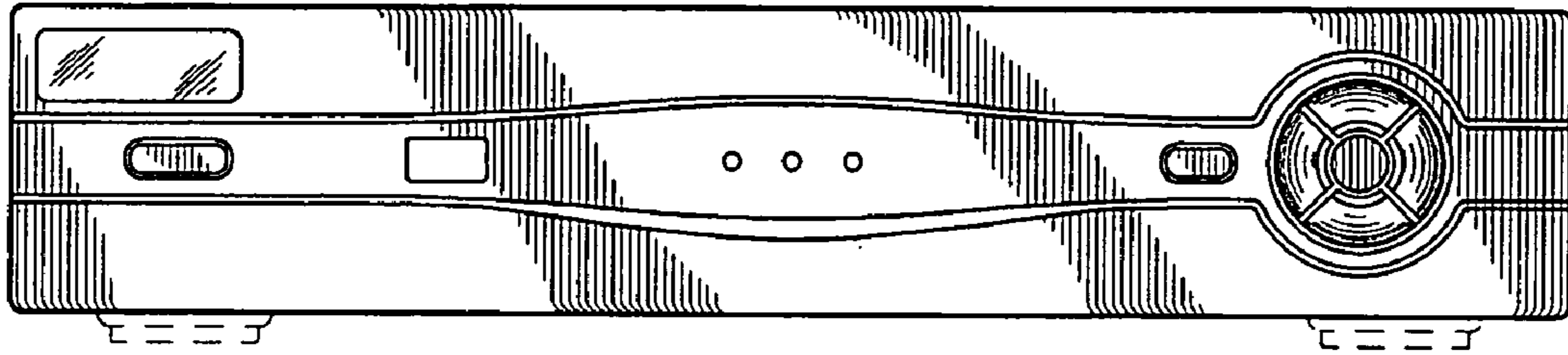


FIG. 4

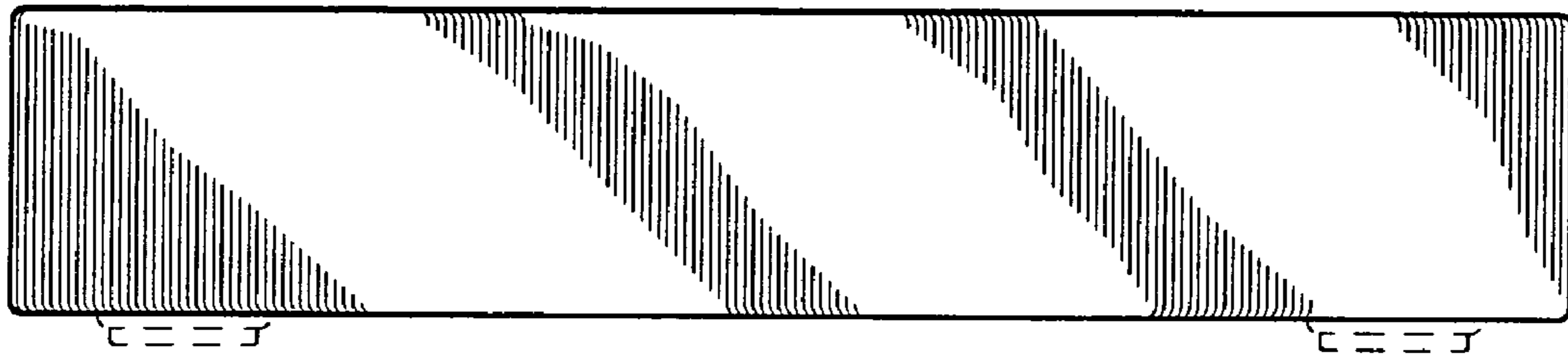


FIG. 5

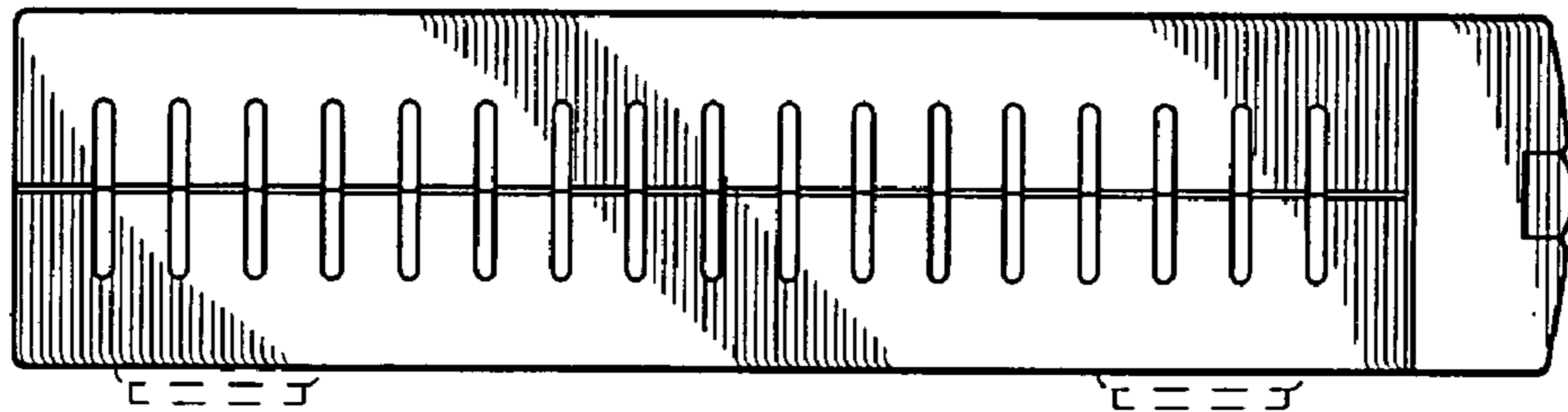


FIG. 6

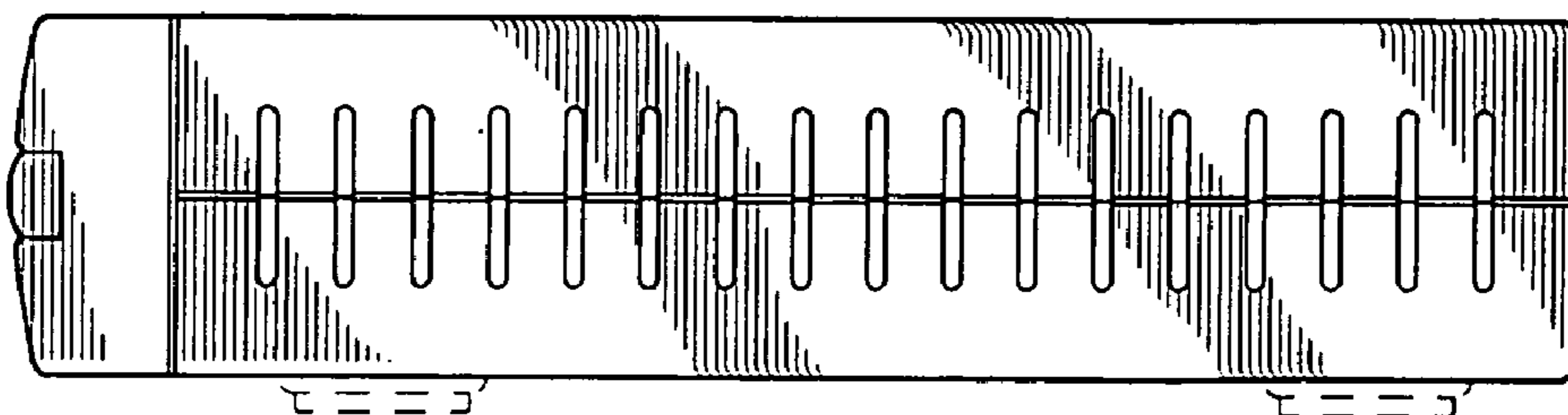


FIG. 7