

US00D546784S

(12) **United States Design Patent**
Hayashi

(10) **Patent No.:** **US D546,784 S**

(45) **Date of Patent:** **** Jul. 17, 2007**

(54) **ATTRACTING DISC FOR AN
ELECTROSTATIC CHUCK FOR
SEMICONDUCTOR PRODUCTION**

(75) Inventor: **Daisuke Hayashi**, Nirasaki (JP)

(73) Assignee: **Tokyo Electron Limited**, Tokyo (JP)

(**) Term: **14 Years**

(21) Appl. No.: **29/245,021**

(22) Filed: **Dec. 19, 2005**

(30) **Foreign Application Priority Data**

Sep. 29, 2005 (JP) 2005-028307

(51) **LOC (8) Cl.** **13-03**

(52) **U.S. Cl.** **D13/182**

(58) **Field of Classification Search** D13/182;
156/345.53; 279/128; 361/234

See application file for complete search history.

(56) **References Cited**

U.S. PATENT DOCUMENTS

3,078,565	A *	2/1963	Sanders	29/527.6
4,502,094	A *	2/1985	Lewin et al.	361/234
5,350,479	A *	9/1994	Collins et al.	156/345.53
5,671,116	A *	9/1997	Husain	361/234
6,033,478	A *	3/2000	Kholodenko	118/500
6,278,600	B1 *	8/2001	Shamouilian et al.	361/234
6,628,503	B2 *	9/2003	Sogard	361/324
6,721,162	B2 *	4/2004	Weldon et al.	361/234
2002/0027762	A1 *	3/2002	Yamaguchi	361/234

2002/0159217	A1 *	10/2002	Tsuruta et al.	361/234
2004/0179323	A1 *	9/2004	Litman et al.	361/234
2004/0190215	A1 *	9/2004	Weldon et al.	361/234
2004/0212947	A1 *	10/2004	Nguyen et al.	361/234
2004/0218339	A1 *	11/2004	Nakamura	361/234
2005/0111161	A1 *	5/2005	Tran	361/234
2006/0002053	A1 *	1/2006	Brown et al.	361/234
2006/0164785	A1 *	7/2006	Pellegrin	361/234
2006/0221539	A1 *	10/2006	Morita et al.	361/234

* cited by examiner

Primary Examiner—Selina Sikder

(74) *Attorney, Agent, or Firm*—Oblon, Spivak, McClelland, Maier & Neustadt, P.C.

(57) **CLAIM**

The ornamental design for an attracting disc for an electrostatic chuck for semiconductor production, as shown and described.

DESCRIPTION

FIG. 1 is a front elevational view of an attracting disc for an electrostatic chuck for semiconductor production, showing my new design;

FIG. 2 is a rear elevational view thereof;

FIG. 3 is a left side elevational view thereof;

FIG. 4 is a right side elevational view thereof;

FIG. 5 is a top plan view thereof; and,

FIG. 6 is a bottom plan view thereof.

1 Claim, 3 Drawing Sheets

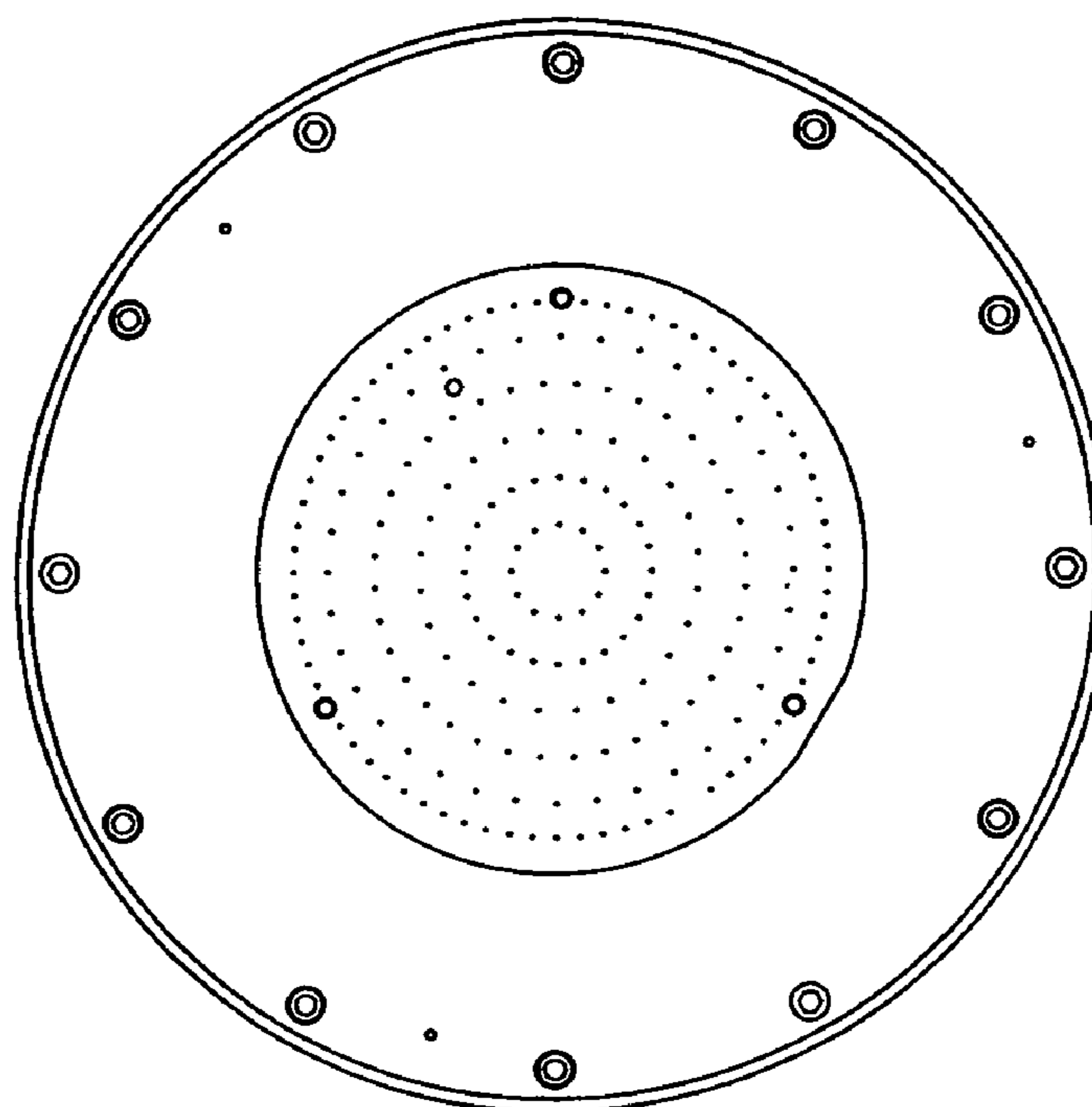


FIGURE 1

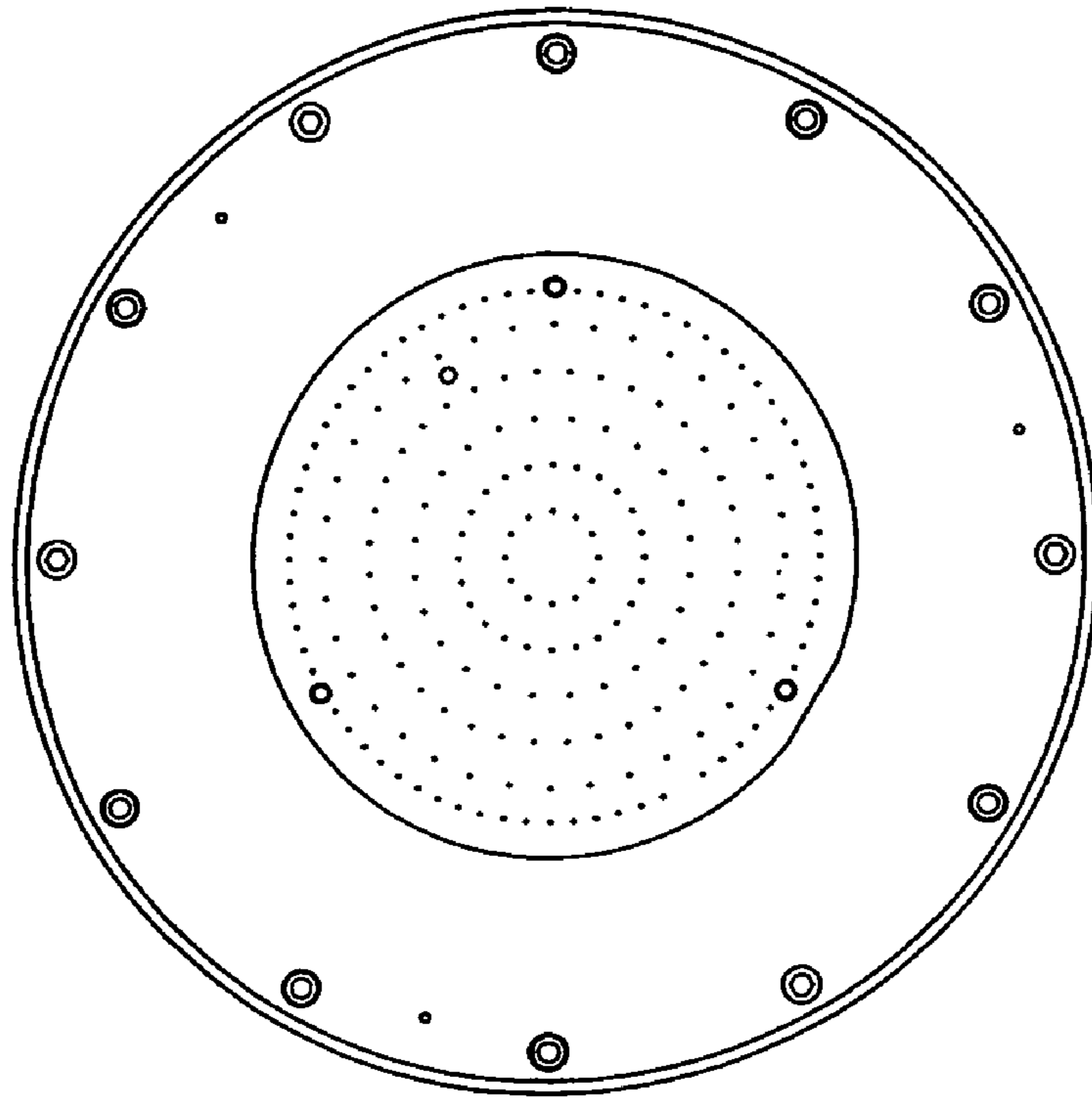


FIGURE 2

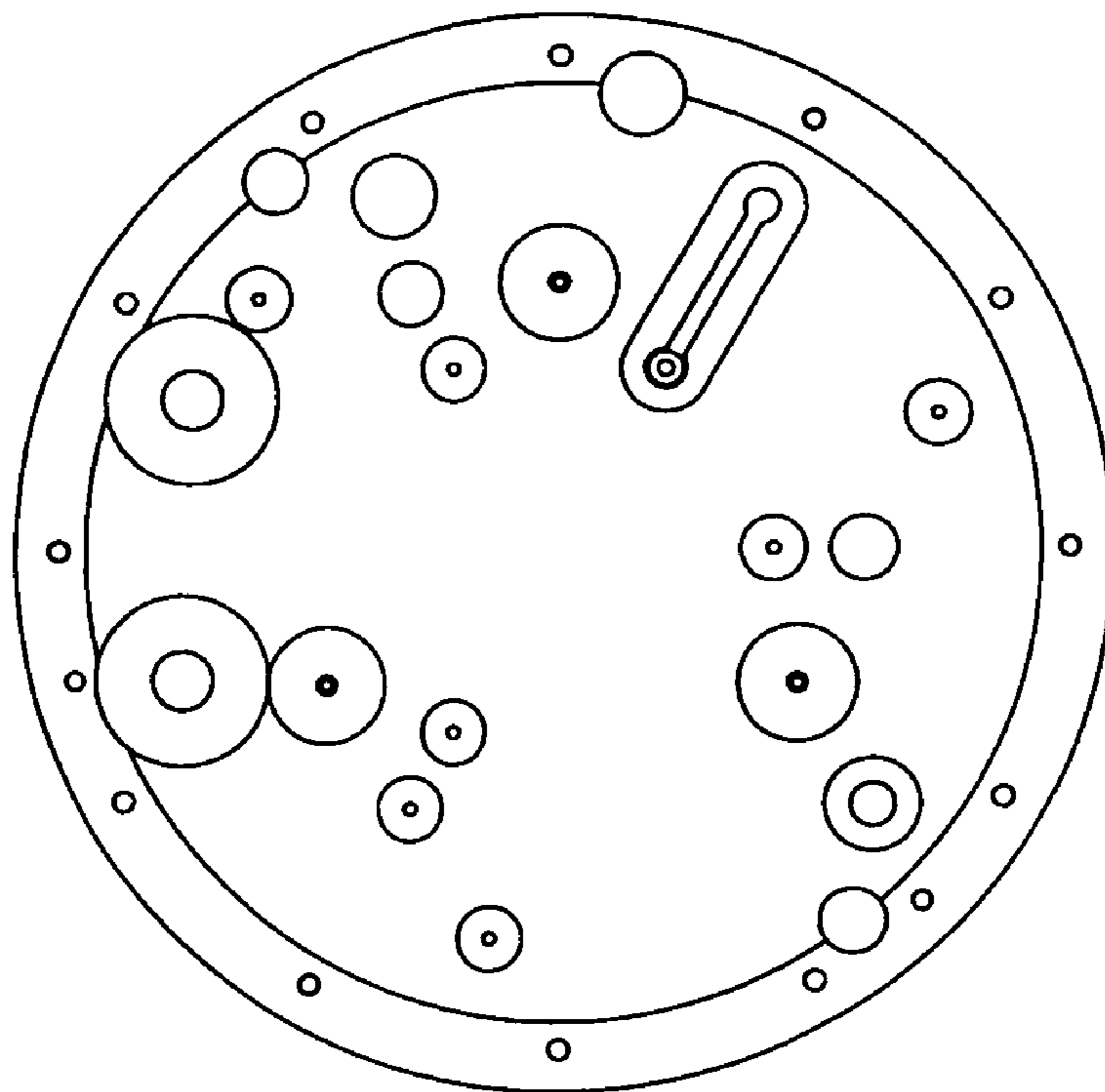




FIGURE 3



FIGURE 4

FIGURE 5

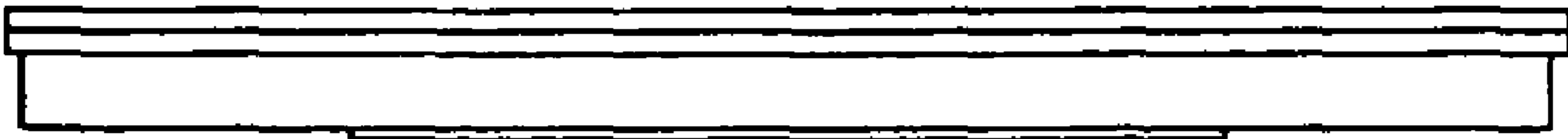


FIGURE 6

