

US00D546783S

(12) **United States Design Patent**
Yoon et al.

(10) **Patent No.:** **US D546,783 S**

(45) **Date of Patent:** **** Jul. 17, 2007**

(54) **LIGHT-EMITTING DIODE**

(75) Inventors: **Jae Joon Yoon**, Kyungki-do (KR);
Young Taek Kim, Kyungki-do (KR);
Jae Woo Cho, Kyungki-do (KR); **Ok**
Hee Shin, Kyungki-do (KR); **Hong**
Min Kim, Kyungki-do (KR)

(73) Assignee: **Samsung Electro-Mechanics Co., Ltd.**
(KR)

(**) Term: **14 Years**

(21) Appl. No.: **29/263,974**

(22) Filed: **Aug. 2, 2006**

(30) **Foreign Application Priority Data**

Feb. 21, 2006 (KR) 30-2006-0006497

(51) **LOC (8) Cl.** **13-03**

(52) **U.S. Cl.** **D13/180**

(58) **Field of Classification Search** D13/180;
D26/2; 257/79, 80, 81, 82, 88, 89, 95, 98,
257/99, 100, 678, 680, 433, 434; 313/483,
313/498, 500; 361/820; 362/555, 800
See application file for complete search history.

(56) **References Cited**

U.S. PATENT DOCUMENTS

D489,692 S * 5/2004 Ishida D13/180
D495,668 S * 9/2004 Kim et al. D13/180
D499,385 S 12/2004 Ishida

D500,292 S * 12/2004 Ishida D13/180
D500,294 S * 12/2004 Ishida D13/180
6,953,952 B2 * 10/2005 Asakawa 257/103
D512,693 S * 12/2005 Kim et al. D13/180
D528,998 S * 9/2006 Song et al. D13/180
2006/0023451 A1 * 2/2006 Han et al. 362/249
2006/0284203 A1 * 12/2006 Han et al. 257/98
2007/0029564 A1 * 2/2007 Han et al. 257/98

* cited by examiner

Primary Examiner—Selina Sikder

(74) *Attorney, Agent, or Firm*—McDermott Will & Emery
LLP

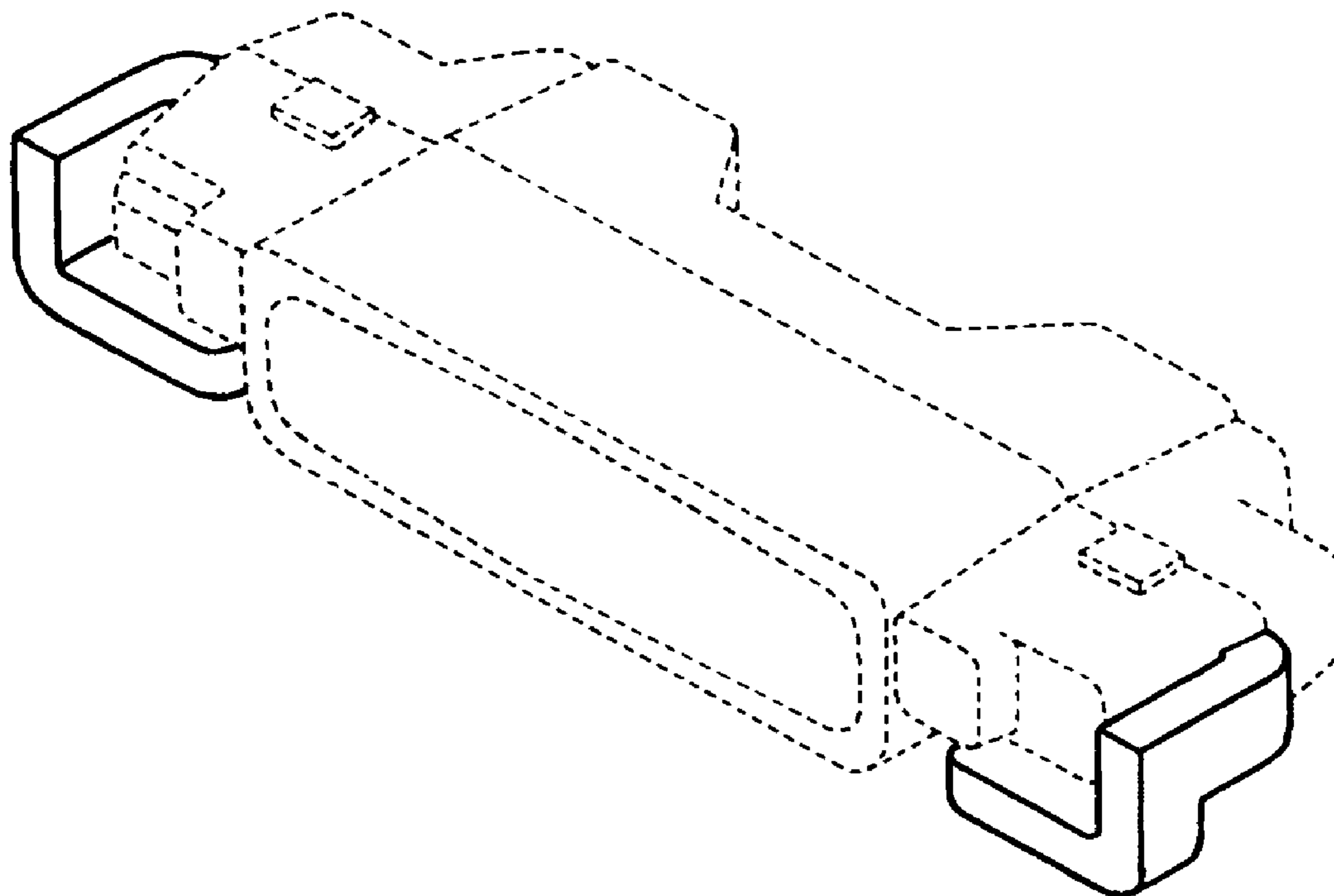
(57) **CLAIM**

We claim the ornamental design for a light-emitting diode,
as shown.

DESCRIPTION

FIG. 1 is the perspective view of the light-emitting diode;
FIG. 2 is the front view thereof;
FIG. 3 is the rear view thereof;
FIG. 4 is the left side view thereof;
FIG. 5 is the right side view thereof;
FIG. 6 is the top plan view thereof;
FIG. 7 is the bottom view thereof; and,
FIG. 8 is a bottom, front perspective view thereof.
The broken lines represent unclaimed subject matter.

1 Claim, 3 Drawing Sheets



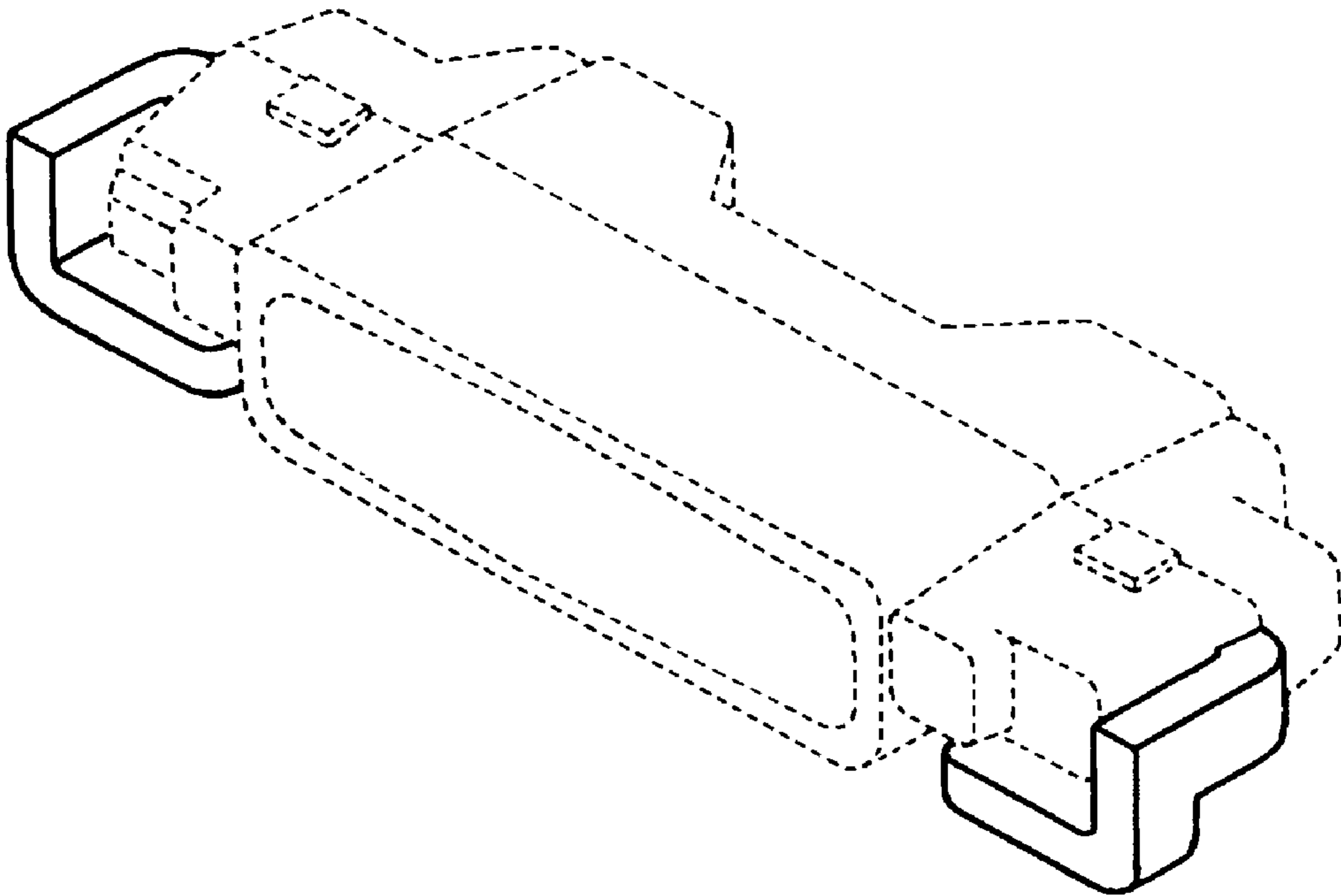


FIG. 1

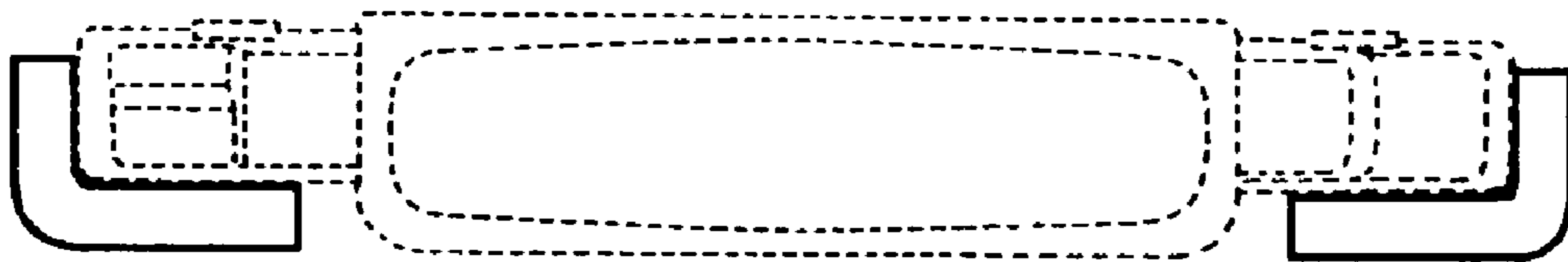


FIG. 2



FIG. 3

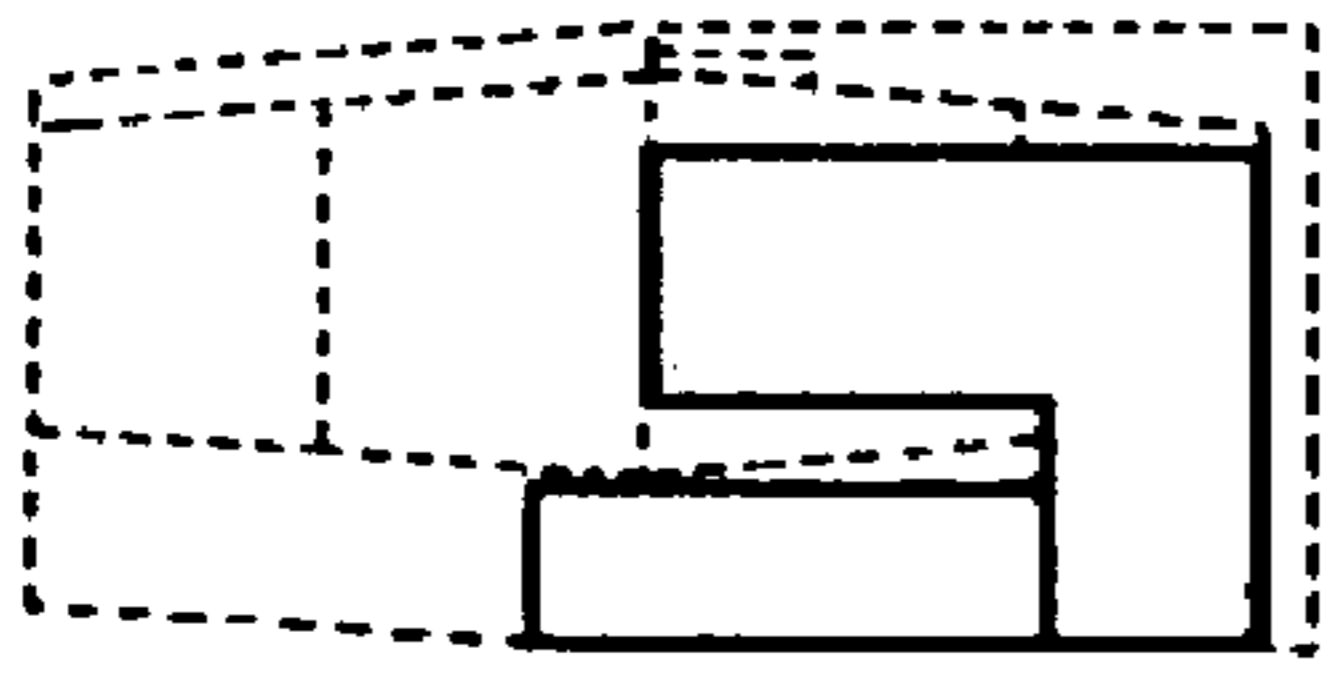


FIG. 4

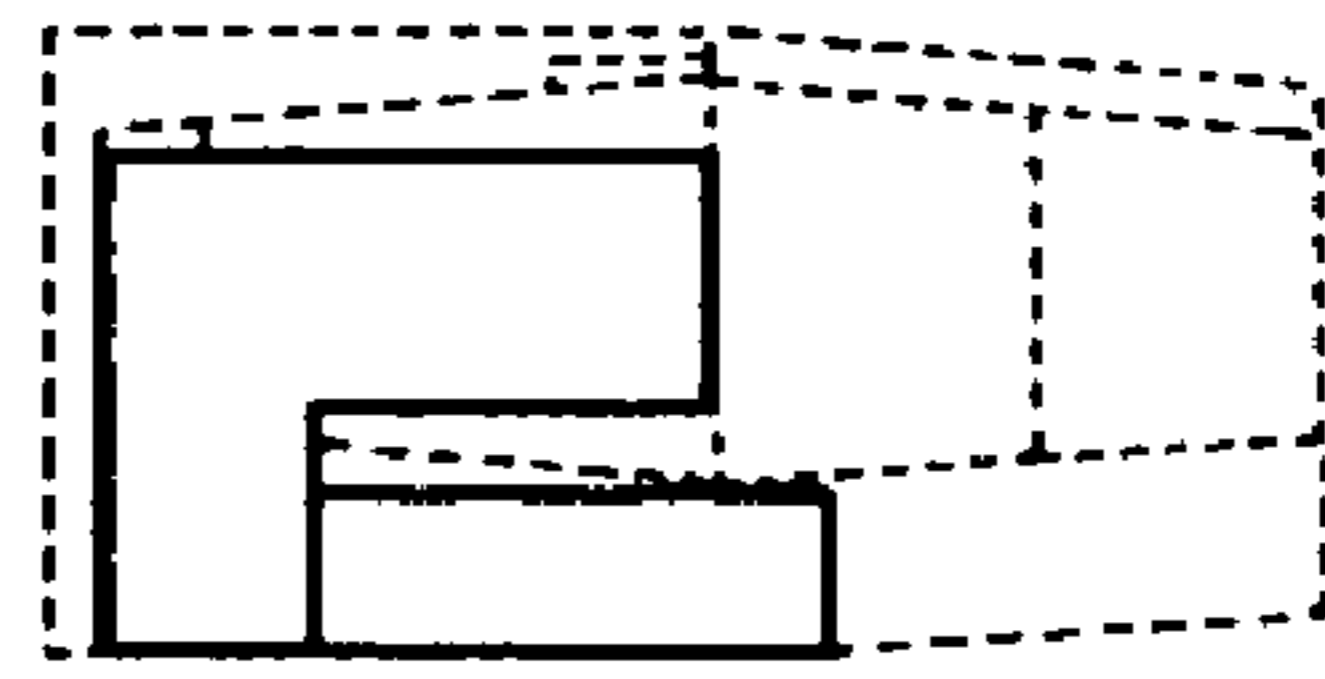


FIG. 5

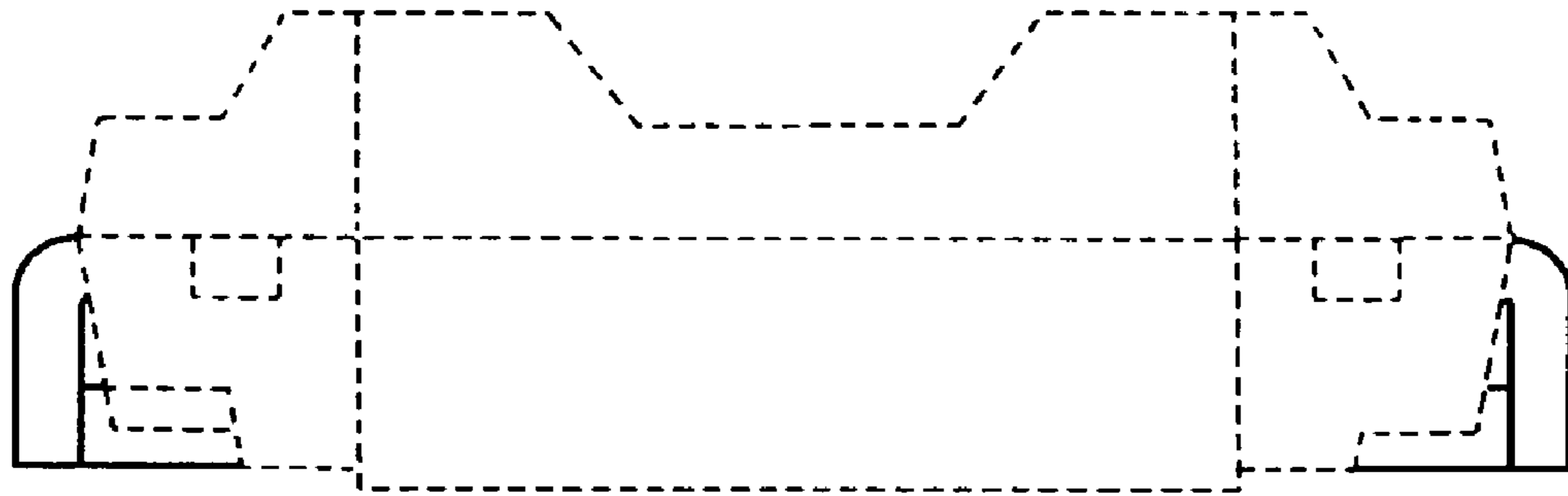


FIG. 6

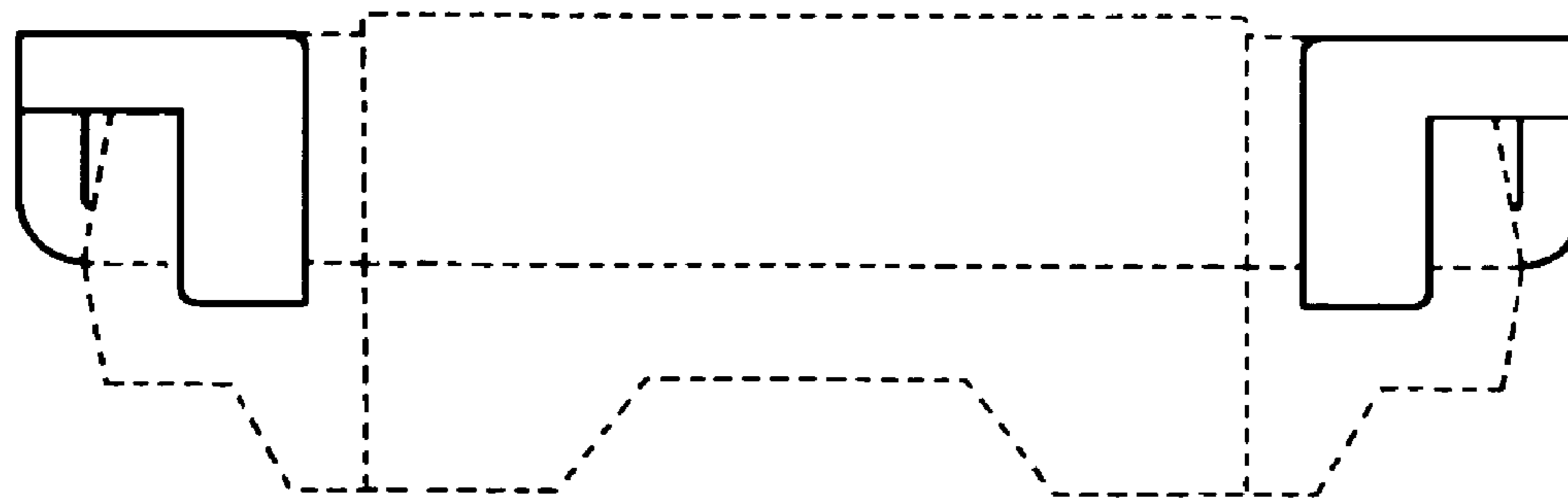


FIG. 7

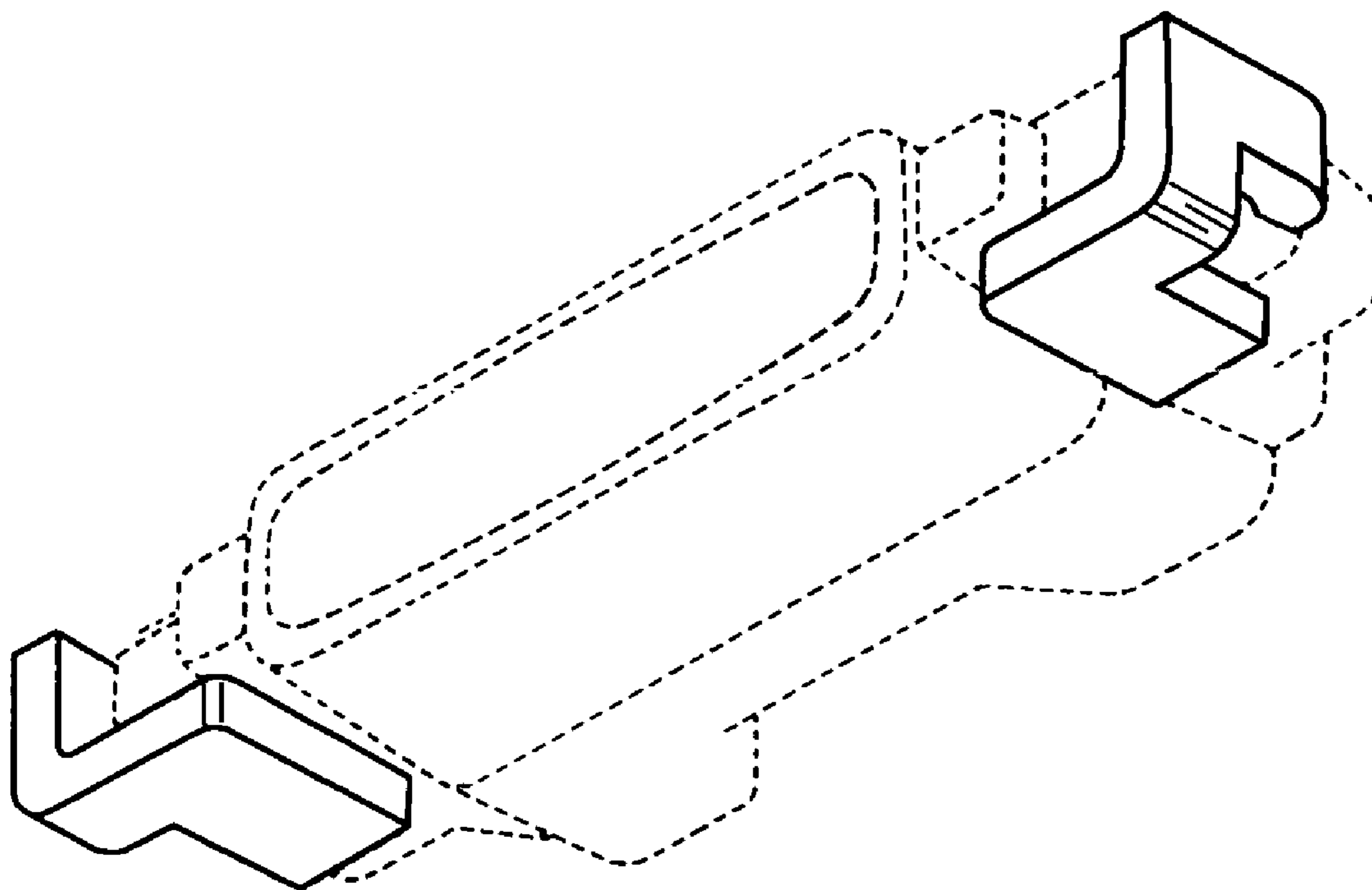


FIG. 8