

US00D546776S

(12) **United States Design Patent**
Miarta et al.

(10) **Patent No.:** **US D546,776 S**

(45) **Date of Patent:** **** Jul. 17, 2007**

(54) **SHADE CONTROL KEYPAD**

(75) Inventors: **Justin Miarta**, Emmaus, PA (US);
Elliot Jacoby, Glenside, PA (US);
Stacey Shetter, Bethlehem, PA (US);
Larry Carmen, Bath, PA (US)

(73) Assignee: **Lutron Electronics Co., Inc.**,
Coopersburg, PA (US)

(**) Term: **14 Years**

(21) Appl. No.: **29/271,798**

(22) Filed: **Jan. 25, 2007**

Related U.S. Application Data

(62) Division of application No. 29/222,051, filed on Jan. 24, 2005.

(51) **LOC (8) Cl.** **13-03**

(52) **U.S. Cl.** **D13/162**

(58) **Field of Classification Search** D13/162,
D13/164, 169, 170, 171; D8/353; 200/5 A,
200/293, 296, 297, 329, 333, 335, 339, 341,
200/520, 530, 537, 552; 220/241; 307/125,
307/139; 315/291-296

See application file for complete search history.

(56) **References Cited**

U.S. PATENT DOCUMENTS

D350,531 S	9/1994	Tsuji	D13/164
D412,491 S	8/1999	Mayo et al.	D13/164
D421,246 S	2/2000	Mayo et al.	D13/162
6,100,659 A	8/2000	Will et al.	318/466
6,120,262 A	9/2000	McDonough et al.	417/424.1
D436,930 S	1/2001	Butler	D13/162
D437,834 S	2/2001	Mayo et al.	D13/162

D441,723 S	5/2001	Mayo et al.	D13/162
D442,558 S	5/2001	Mayo et al.	D13/162
D465,770 S	11/2002	Bennett et al.	D13/164
D466,090 S	11/2002	Bennett et al.	D13/164
D475,024 S	5/2003	Bennett et al.	D13/164
D475,025 S	5/2003	Bennett et al.	D13/164
D516,041 S	2/2006	Hobart et al.	D13/164

Primary Examiner—Selina Sikder

(74) *Attorney, Agent, or Firm*—Drinker, Biddle & Reath, LLP

(57) **CLAIM**

The ornamental design for a shade control keypad, as shown and described.

DESCRIPTION

FIG. 1 is a perspective view of a shade control keypad showing a first embodiment of our design.

FIG. 2 is a front view thereof.

FIG. 3 is a left side view thereof.

FIG. 4 is a right side view thereof.

FIG. 5 is a top view thereof.

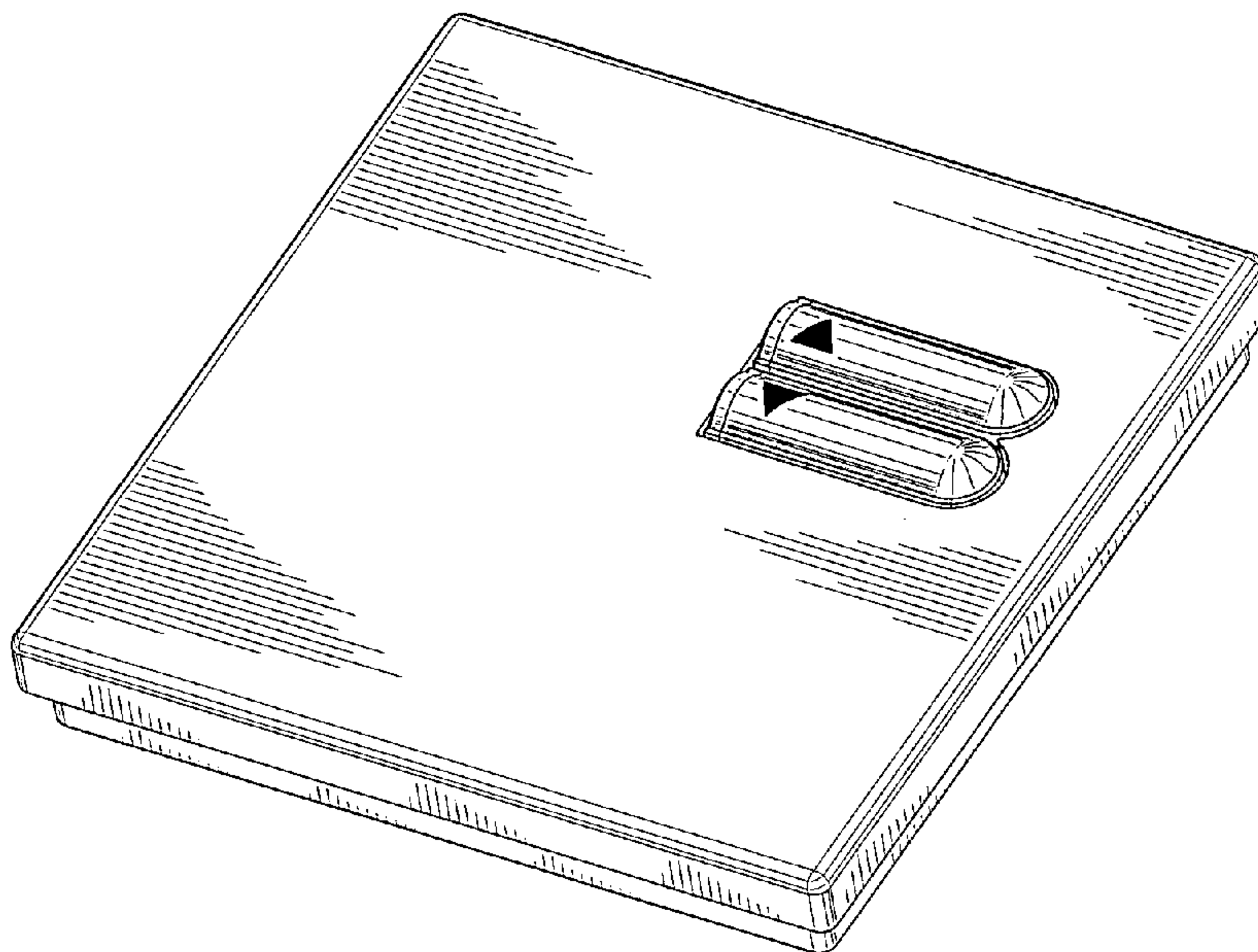
FIG. 6 is a bottom view thereof.

FIG. 7 is a perspective view of a shade control keypad showing a second embodiment of our design; and,

FIG. 8 is a front view thereof, the left side, right side, top and bottom views of the second embodiment being identical to the left side, right side, top and bottom views of the first embodiment.

The rear view forms no part of the design and is omitted. The portions of the drawings appearing in broken line are for environment only and do not form a part of the design.

1 Claim, 6 Drawing Sheets



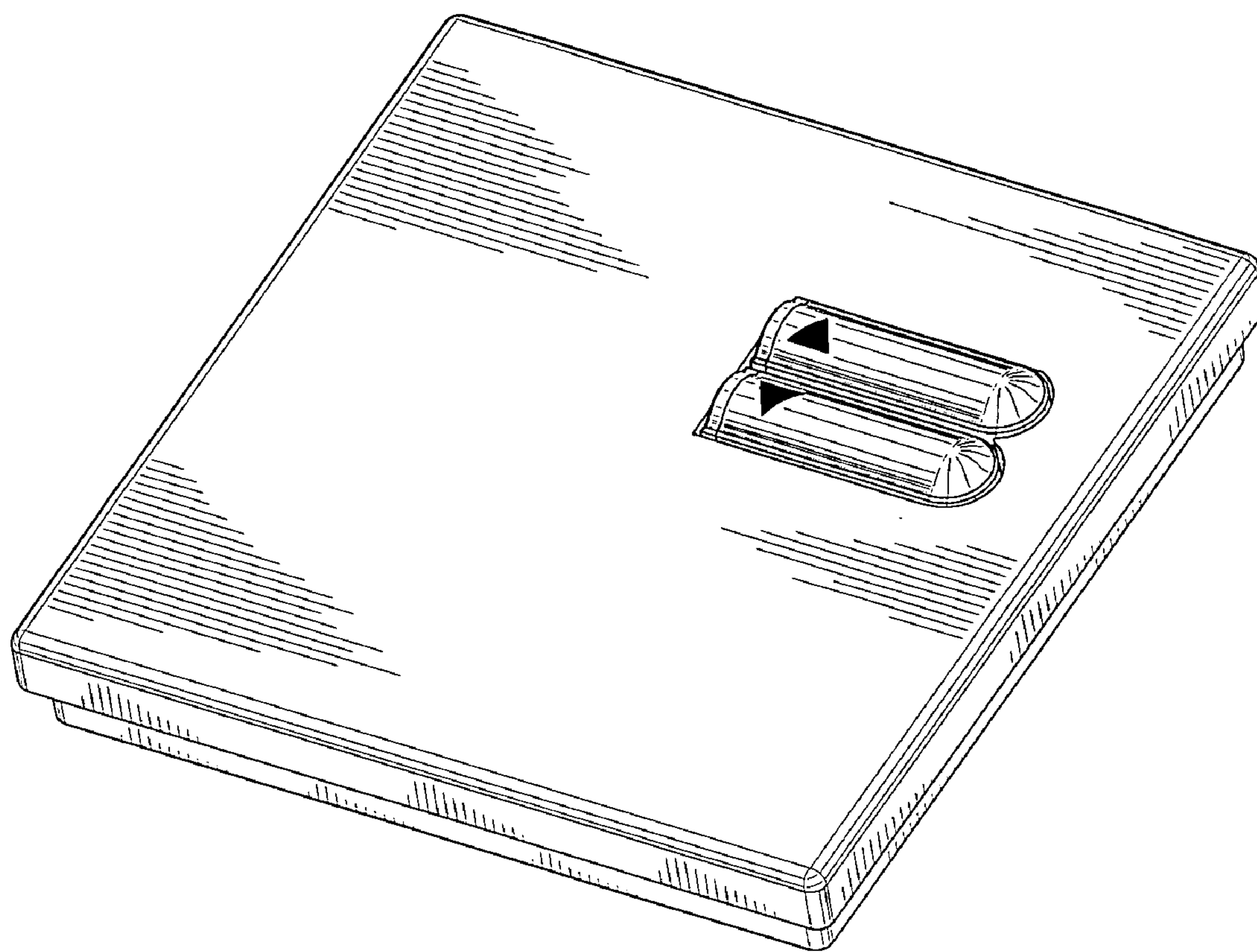


FIG. 1

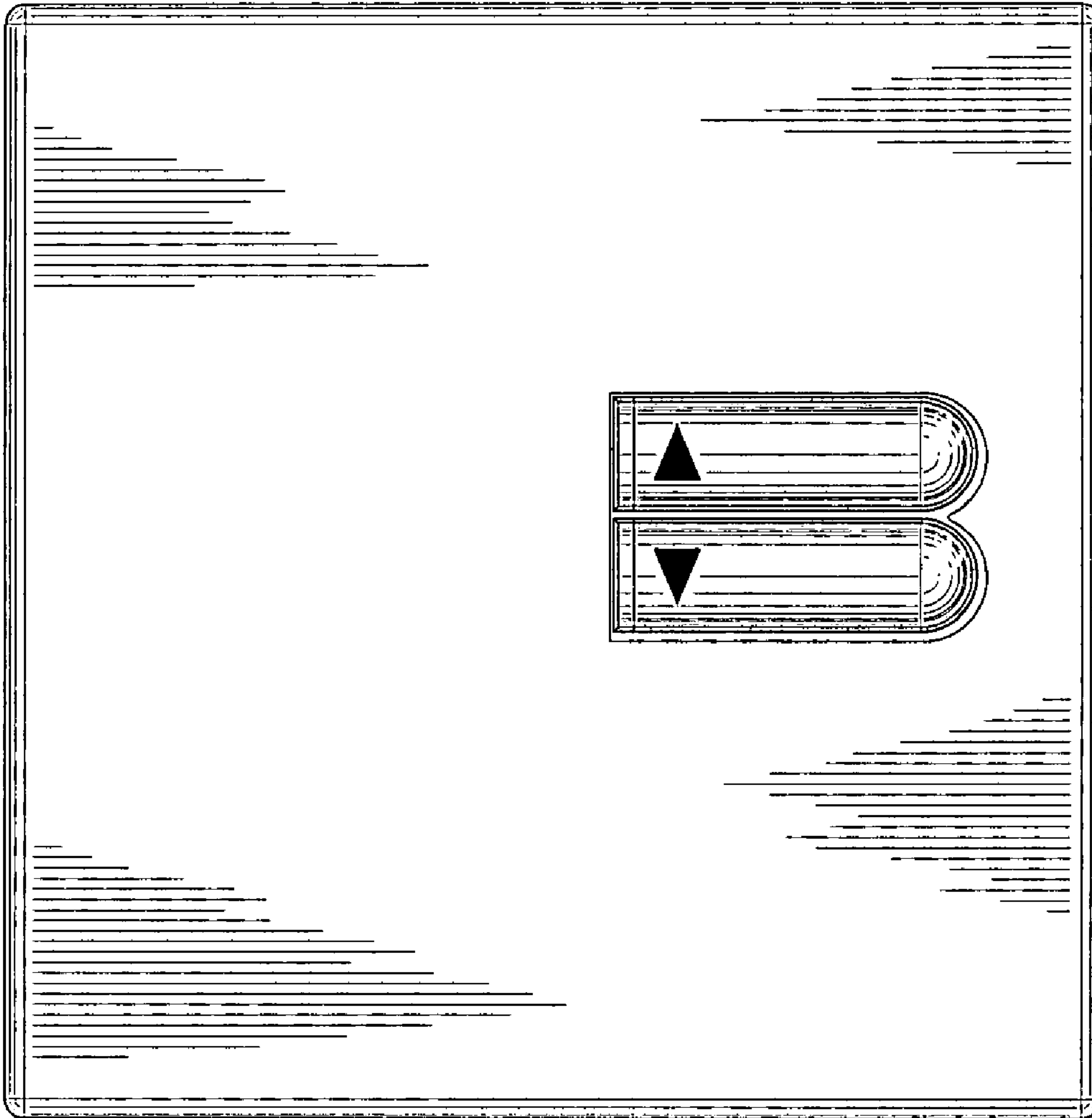


FIG. 2

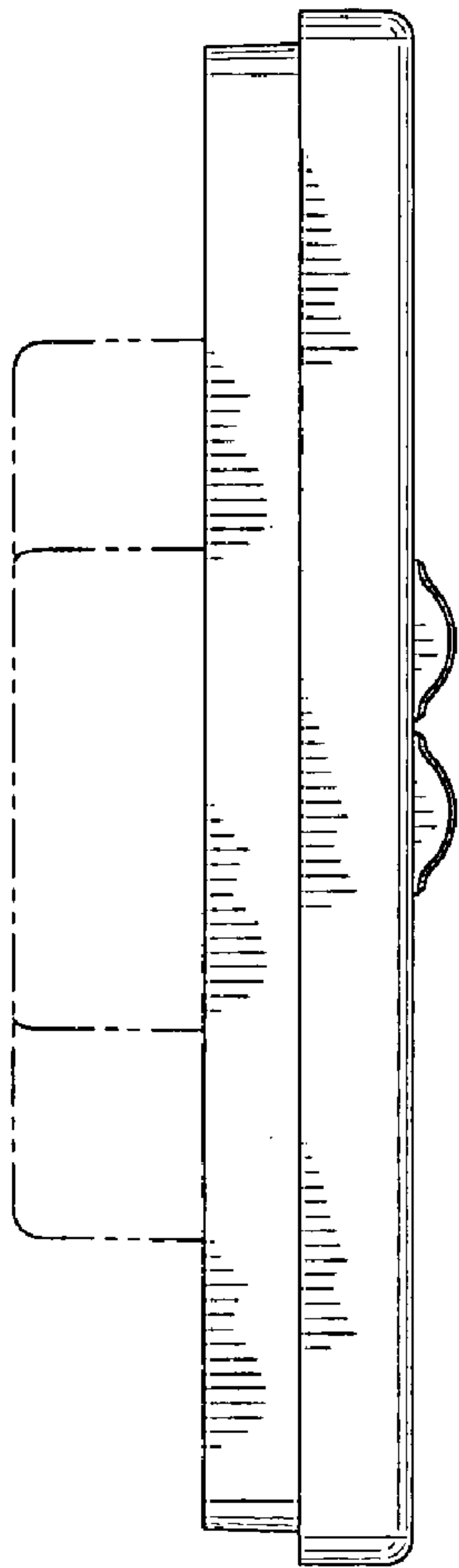


FIG. 3

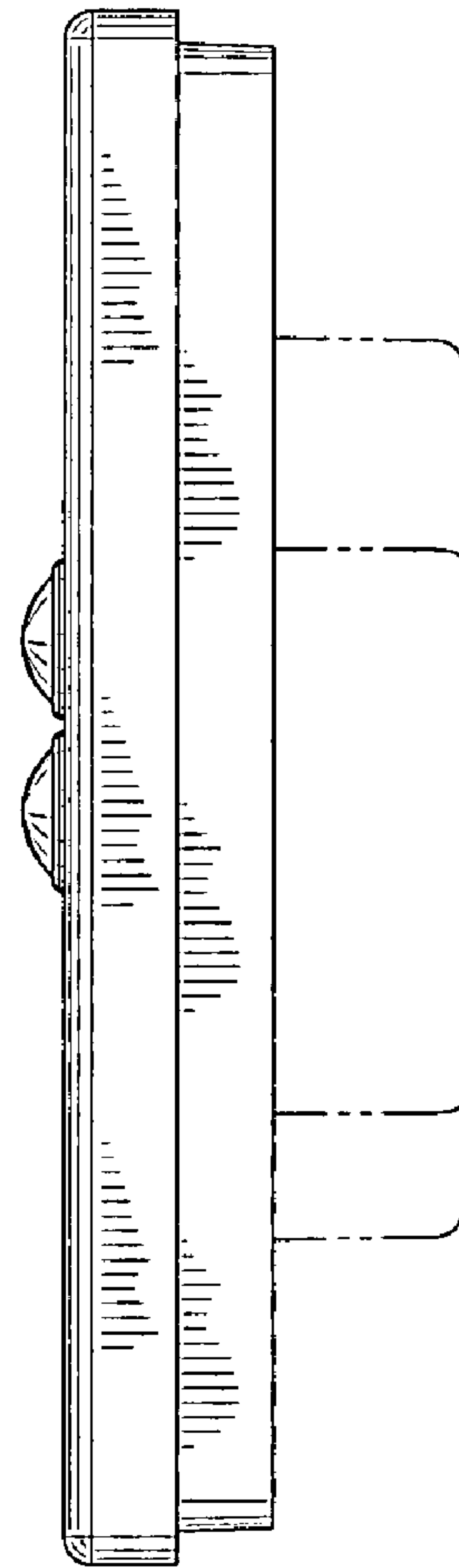


FIG. 4

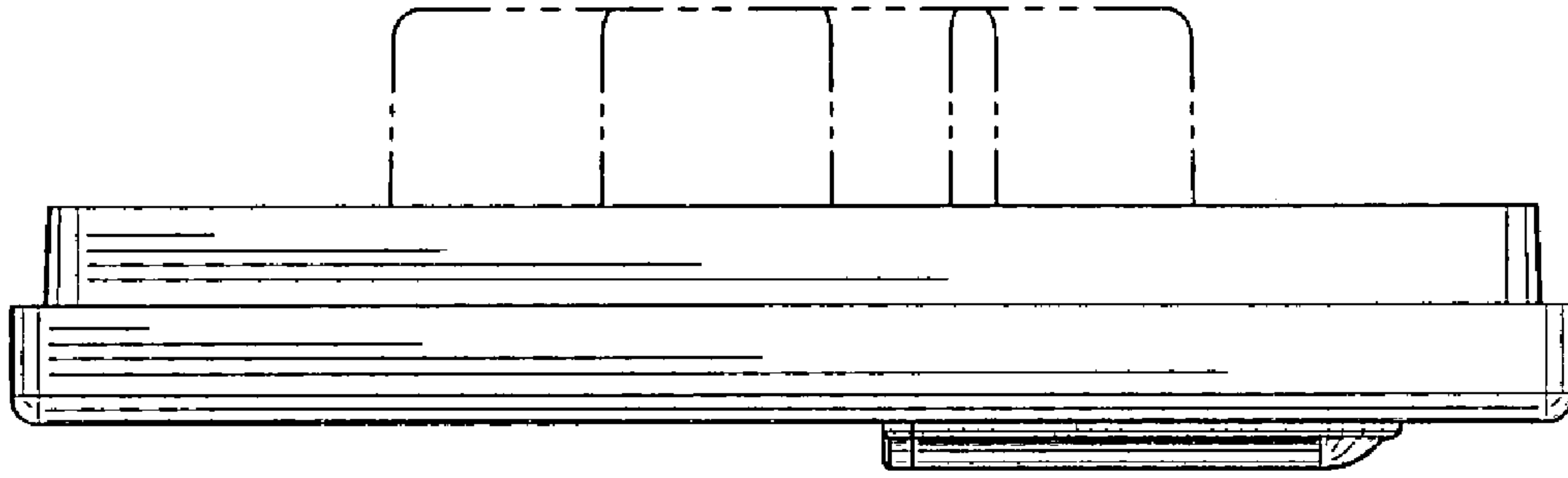


FIG. 5

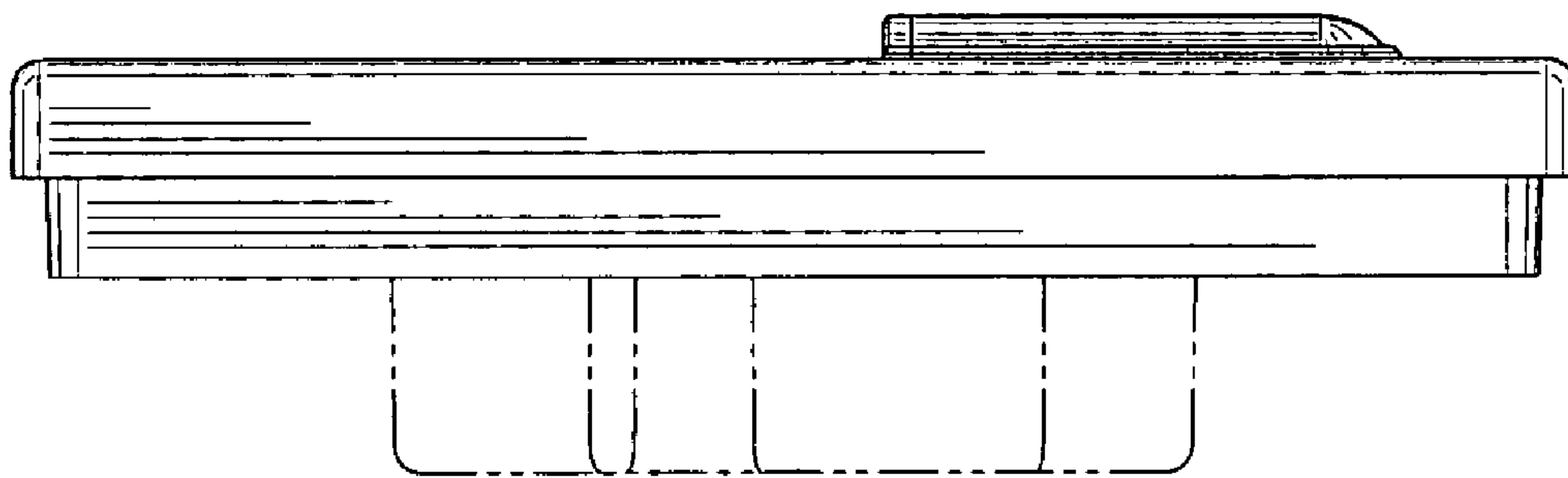


FIG. 6

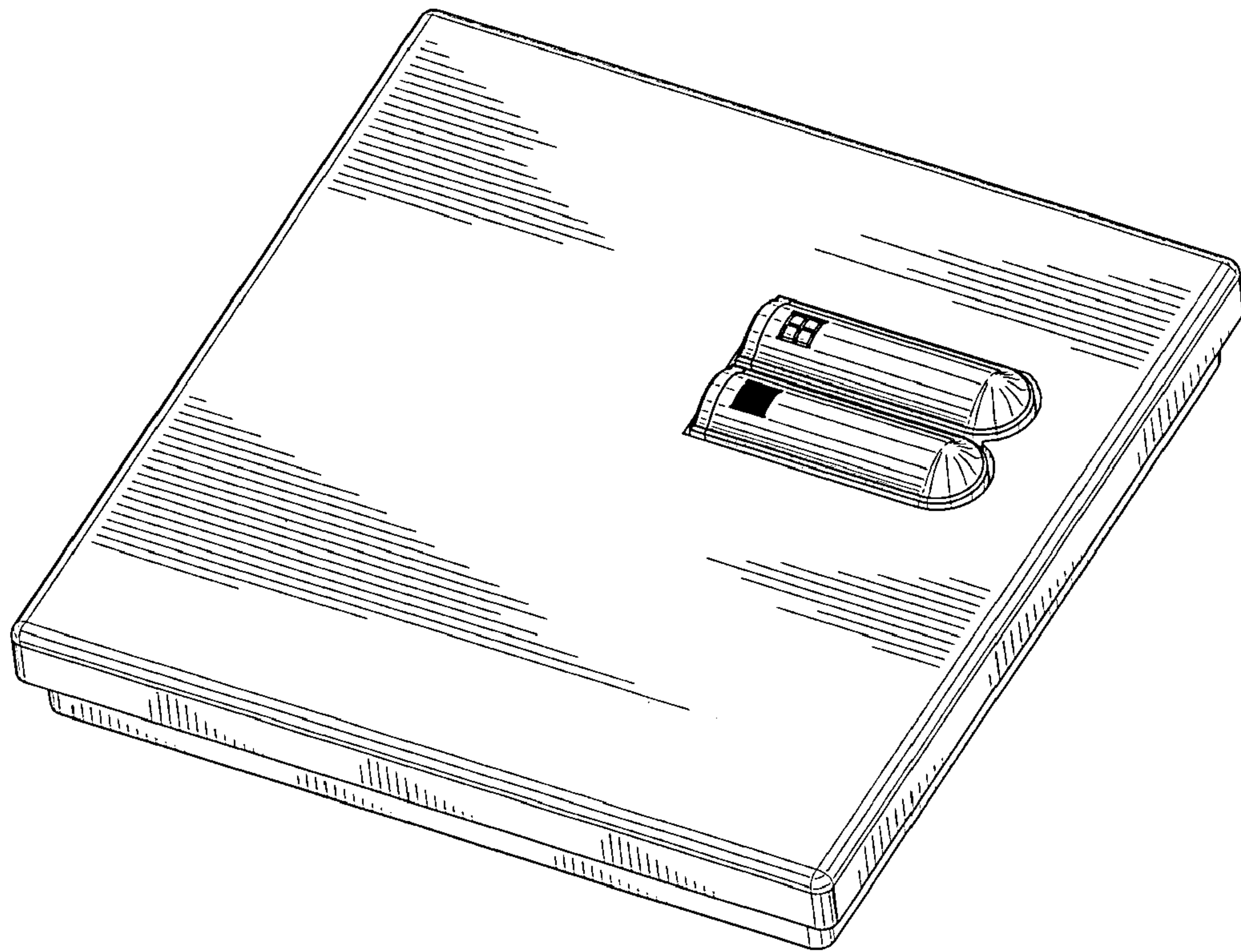


FIG. 7

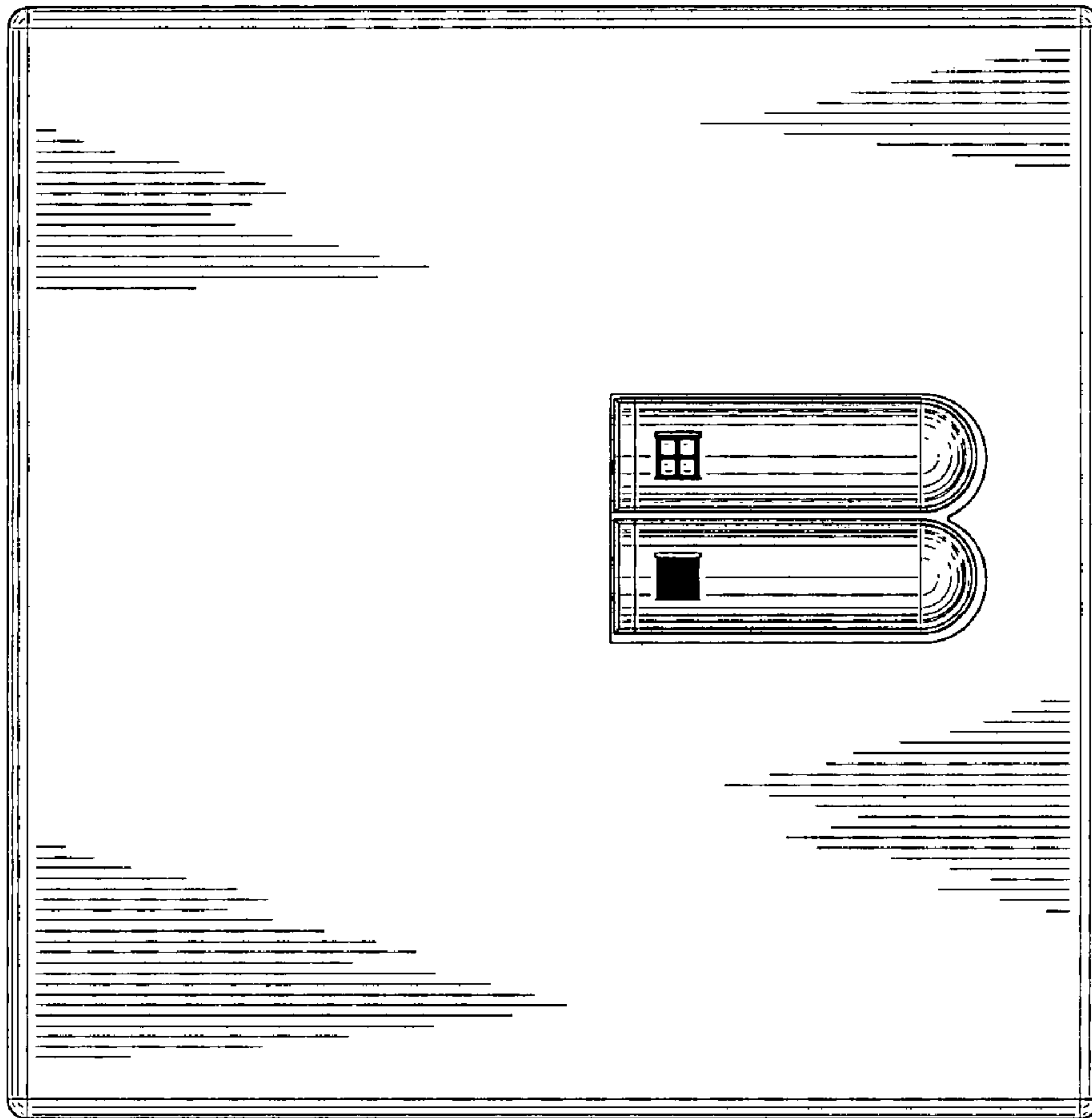


FIG. 8