

US00D546772S

(12) **United States Design Patent**
Venegas et al.

(10) **Patent No.:** **US D546,772 S**

(45) **Date of Patent:** **** Jul. 17, 2007**

(54) **IRRIGATION CONTROLLER CONTROL PANEL**

2005/0038529 A1* 2/2005 Perez et al. 700/19
2005/0267641 A1 12/2005 Nickerson et al.
2005/0273205 A1* 12/2005 Nickerson et al. 700/284

(75) Inventors: **Ken R. Venegas**, San Diego, CA (US);
Robert Jenkins, San Diego, CA (US);
Roger S. Neitzel, Escondido, CA (US);
Steven B. Cook, Oceanside, CA (US)

OTHER PUBLICATIONS

U.S. Appl. No. 29/198,322, filed Jan. 27, 2004, Zwick et al.

* cited by examiner

(73) Assignee: **Rain Bird Corporation**, Azusa, CA (US)

Primary Examiner—Selina Sikder

(74) *Attorney, Agent, or Firm*—Fitch, Even, Tabin & Flannery

(**) Term: **14 Years**

(21) Appl. No.: **29/238,775**

(57) **CLAIM**

(22) Filed: **Sep. 20, 2005**

We claim the ornamental design for an irrigation controller control panel, as shown and described.

Related U.S. Application Data

DESCRIPTION

(63) Continuation-in-part of application No. 11/022,179, filed on Dec. 23, 2004.

FIG. 1 is a perspective view of the irrigation controller control panel showing our new design wherein the housing containing the control panel is illustrated in broken lines for illustrative purposes only and forms no part of the claimed design;

(51) **LOC (8) Cl.** **13-03**

(52) **U.S. Cl.** **D13/162; D13/164**

(58) **Field of Classification Search** D13/162,
D13/164; 239/63, 69, 70; 700/16, 17, 19,
700/284

FIG. 2 is a front elevation view thereof;

FIG. 3 is a top plan view thereof;

FIG. 4 is a bottom plan view thereof;

See application file for complete search history.

FIG. 5 is a right side elevation view thereof;

(56) **References Cited**

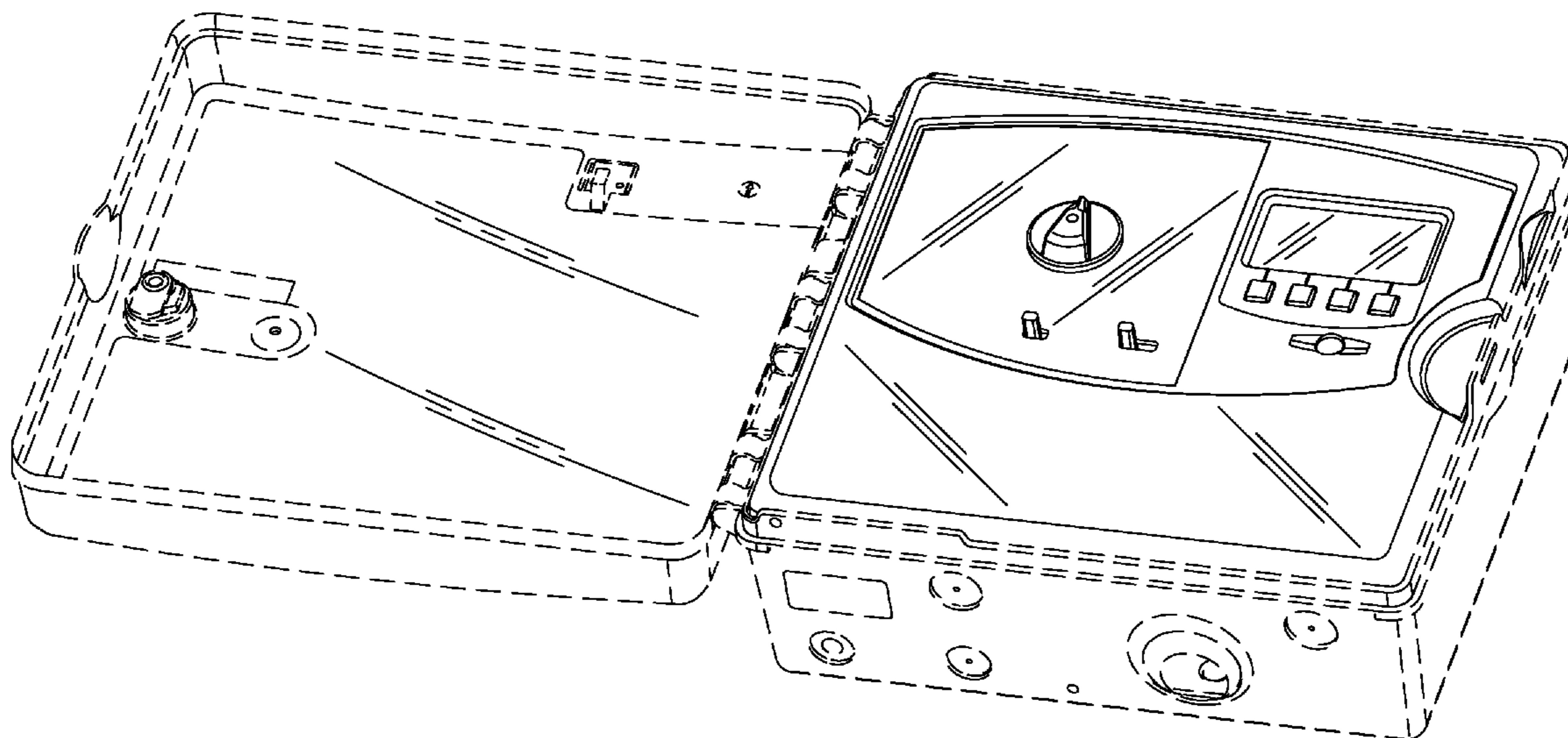
U.S. PATENT DOCUMENTS

5,479,338 A * 12/1995 Ericksen et al. 700/16
6,240,336 B1 * 5/2001 Brundisini 700/284
D452,695 S * 1/2002 Miller D13/164
6,708,084 B2 * 3/2004 Battistutto et al. 700/284
6,721,630 B1 * 4/2004 Woytowitz 700/284
D492,264 S 6/2004 Perez et al.

FIG. 6 is a rear view thereof wherein the compartment door, cable guide and various connectors are illustrated in broken lines for illustrative purposes only and form no part of the claimed design; and,

FIG. 7 is a left side elevation view thereof.

1 Claim, 4 Drawing Sheets



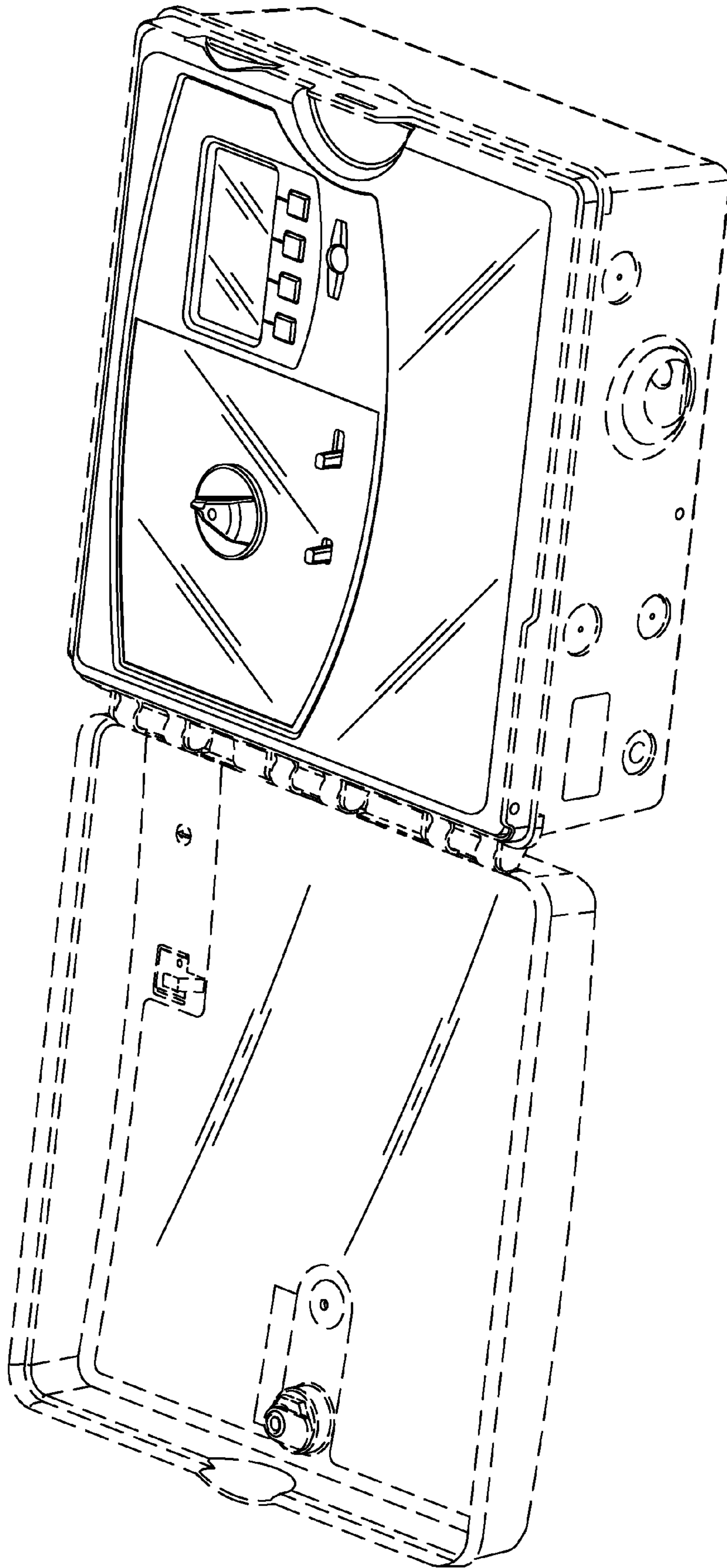
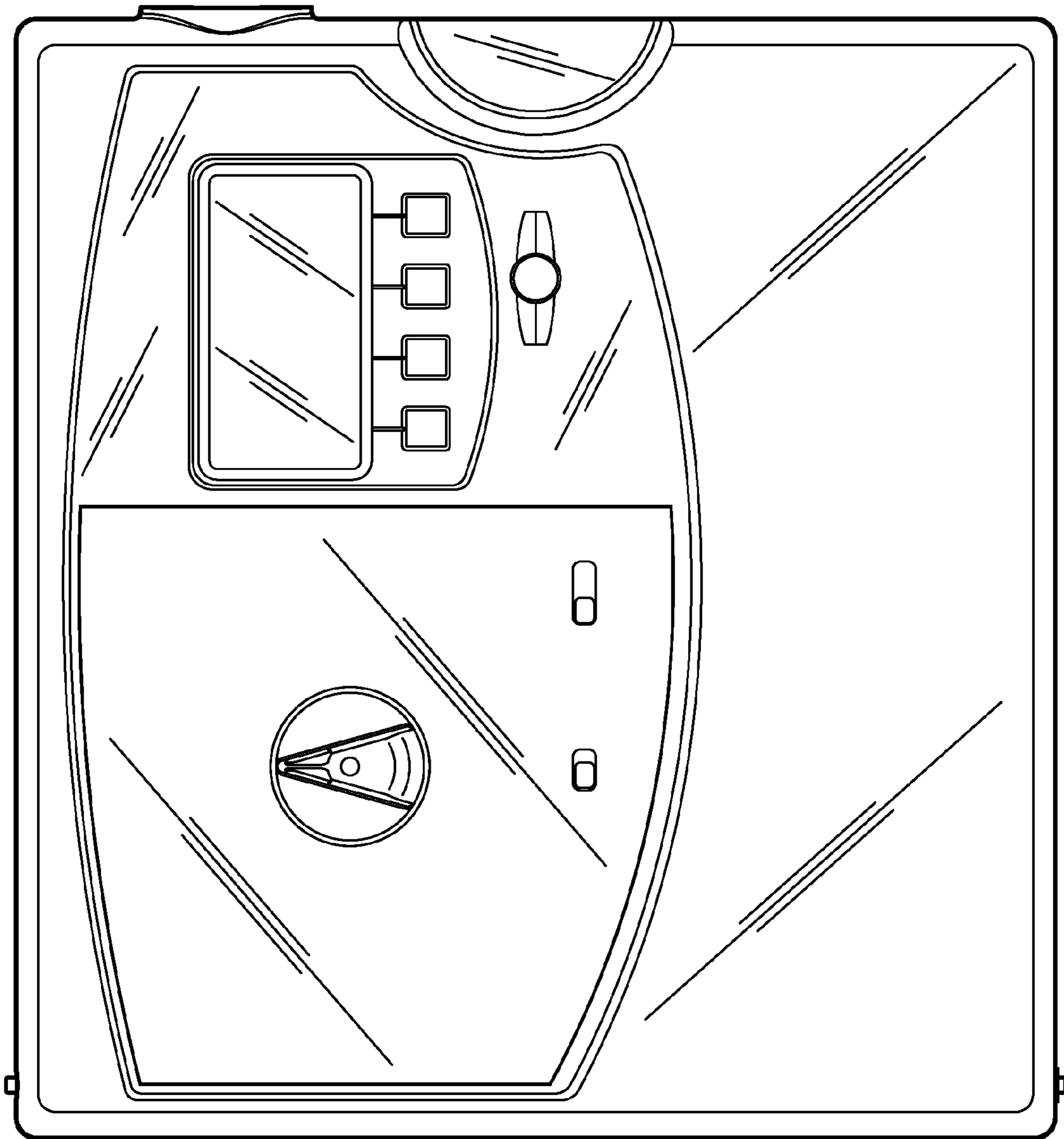


FIG. 1

FIG. 2



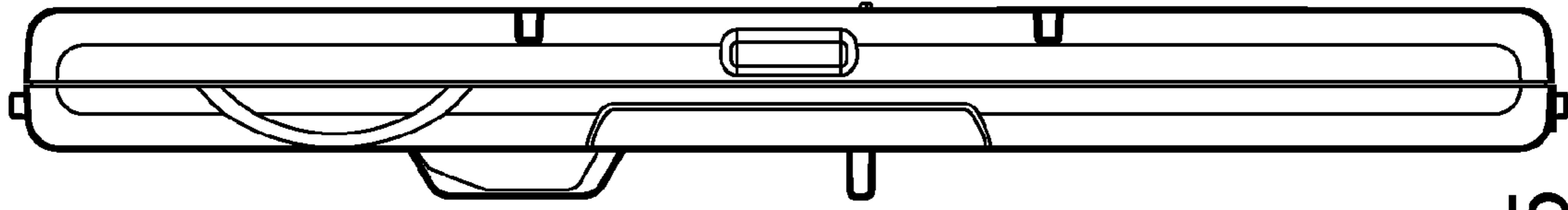


FIG. 5

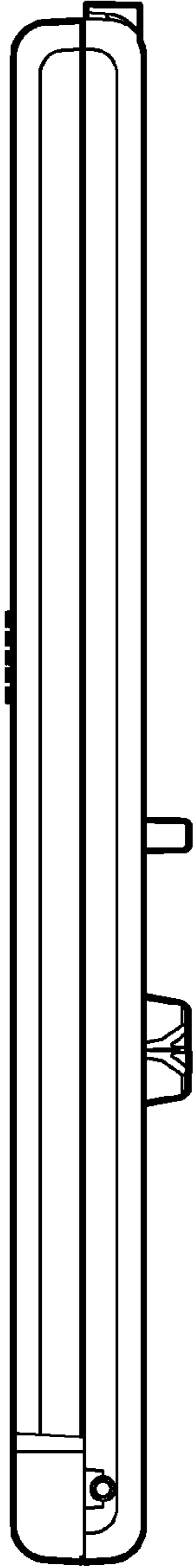


FIG. 3

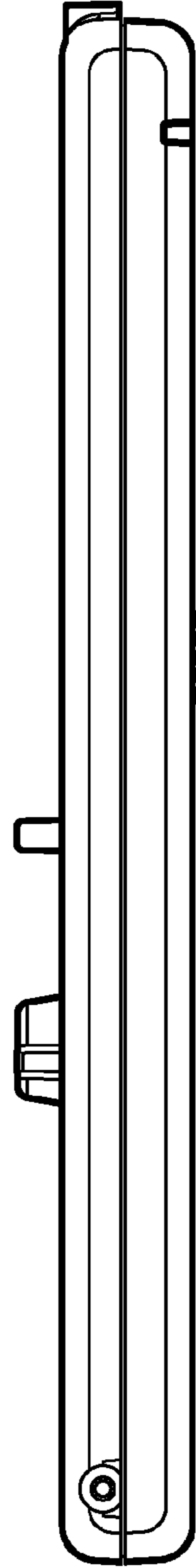


FIG. 4

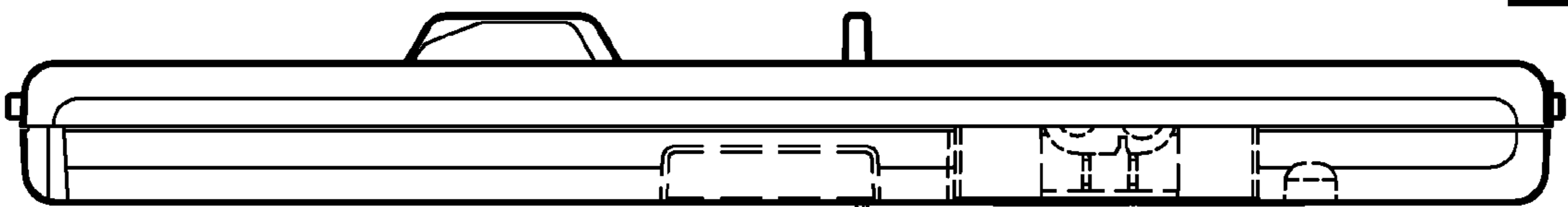


FIG. 7

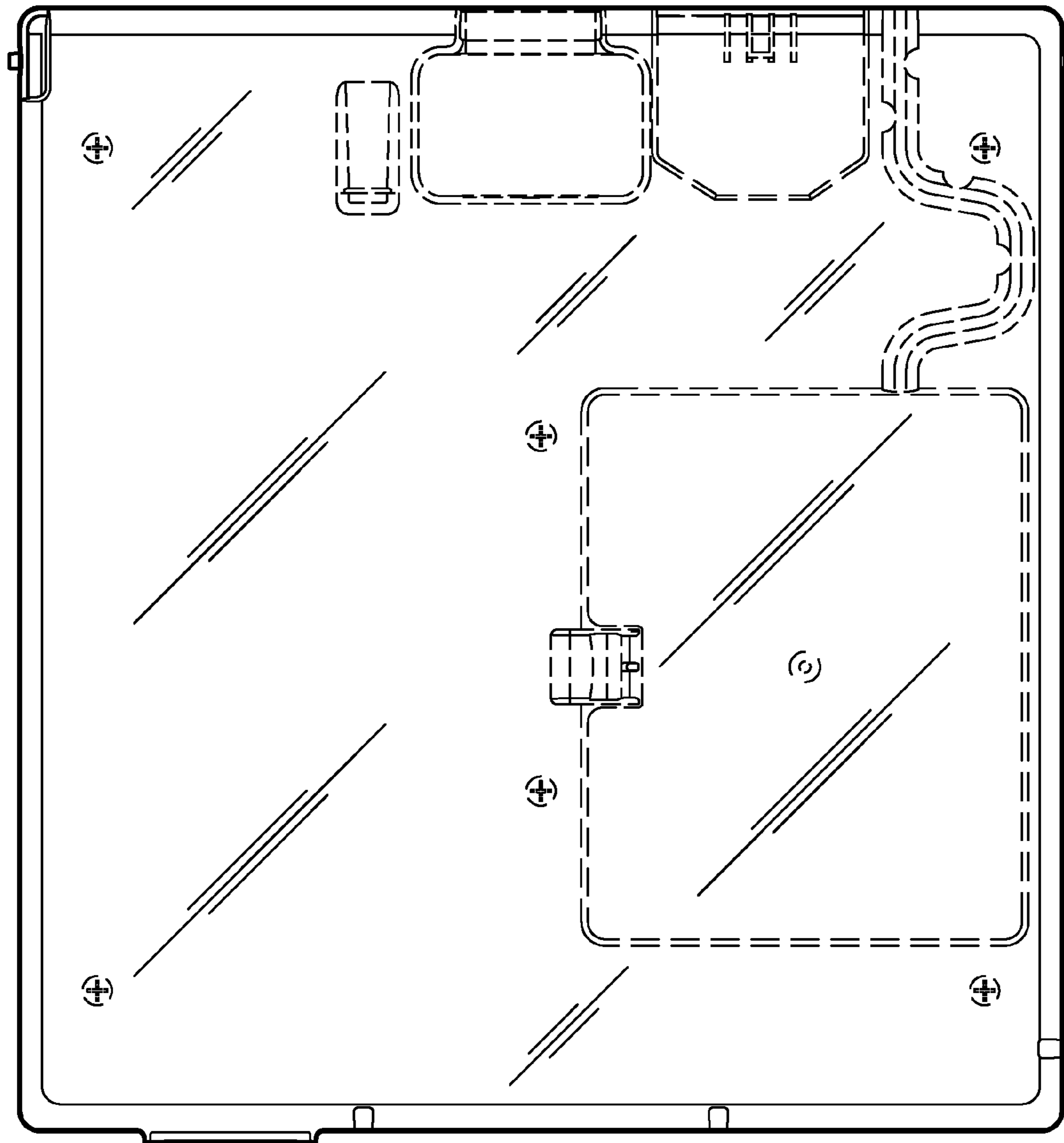


FIG. 6