



US00D546765S

(12) **United States Design Patent**
Ciancanelli et al.

(10) **Patent No.:** **US D546,765 S**

(45) **Date of Patent:** **** Jul. 17, 2007**

(54) **STEPPED OVAL BASE ELECTRICAL CONNECTOR**

D474,447 S * 5/2003 Kano D13/133
6,611,421 B2 * 8/2003 Meadows et al. 361/328

(75) Inventors: **Gino J. Ciancanelli**, Southbury, CT (US); **Betty Jean Zayas**, Bridgeport, CT (US)

* cited by examiner

Primary Examiner—Daniel Bui
(74) *Attorney, Agent, or Firm*—Cantor Colburn LLP

(73) Assignee: **LightSources Inc.**, Orange, CT (US)

(57) **CLAIM**

(**) Term: **14 Years**

The ornamental design for a stepped oval base electrical connector, as shown and described.

(21) Appl. No.: **29/266,715**

(22) Filed: **Sep. 26, 2006**

DESCRIPTION

(51) **LOC (8) Cl.** **13-03**

FIG. 1 is a top, front and right side perspective view of a stepped oval base electrical connector, showing our new design;

(52) **U.S. Cl.** **D13/136**

(58) **Field of Classification Search** D13/133–136, D13/154, 184, 199; D26/24, 113; 313/318.01, 313/318.02, 318.03, 318.05, 318.12; 362/260, 362/581; 439/168, 220, 226, 232, 280, 336, 439/419, 602

FIG. 2 is a top, rear and left side perspective view thereof;

FIG. 3 is a right side elevation view thereof;

FIG. 4 is a left side elevation view thereof;

FIG. 5 is a front elevation view thereof;

FIG. 6 is a rear elevation view thereof;

FIG. 7 is a top plan view thereof; and,

FIG. 8 is a bottom plan view thereof.

See application file for complete search history.

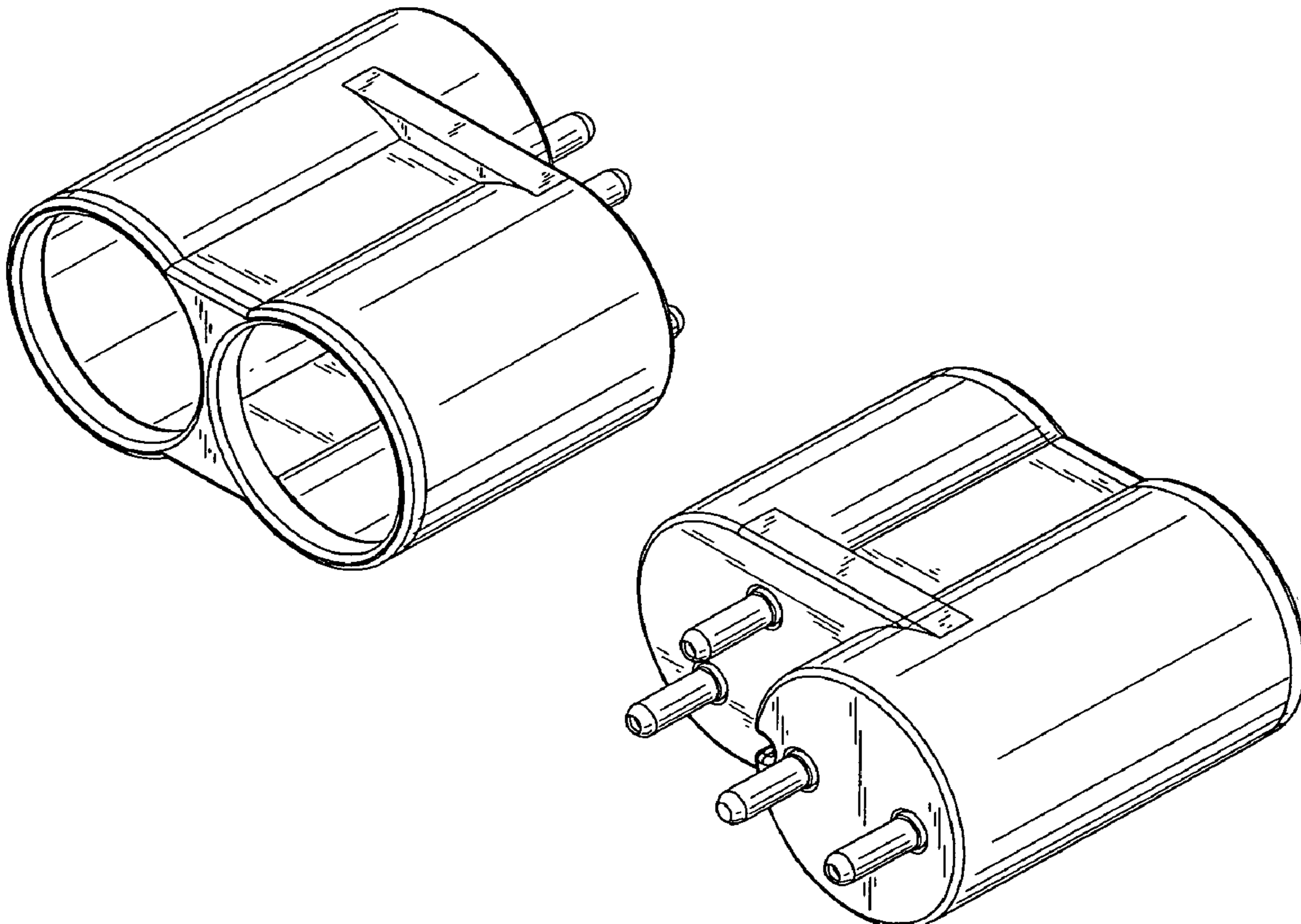
The broken line showing of the environment is for illustrative purposes only and forms no part of the claimed design.

(56) **References Cited**

U.S. PATENT DOCUMENTS

3,824,524 A * 7/1974 Glover 439/282
4,799,896 A * 1/1989 Gaynor et al. 439/232
D387,729 S * 12/1997 Huska D13/133
D417,193 S * 11/1999 Itaya et al. D13/136

1 Claim, 2 Drawing Sheets



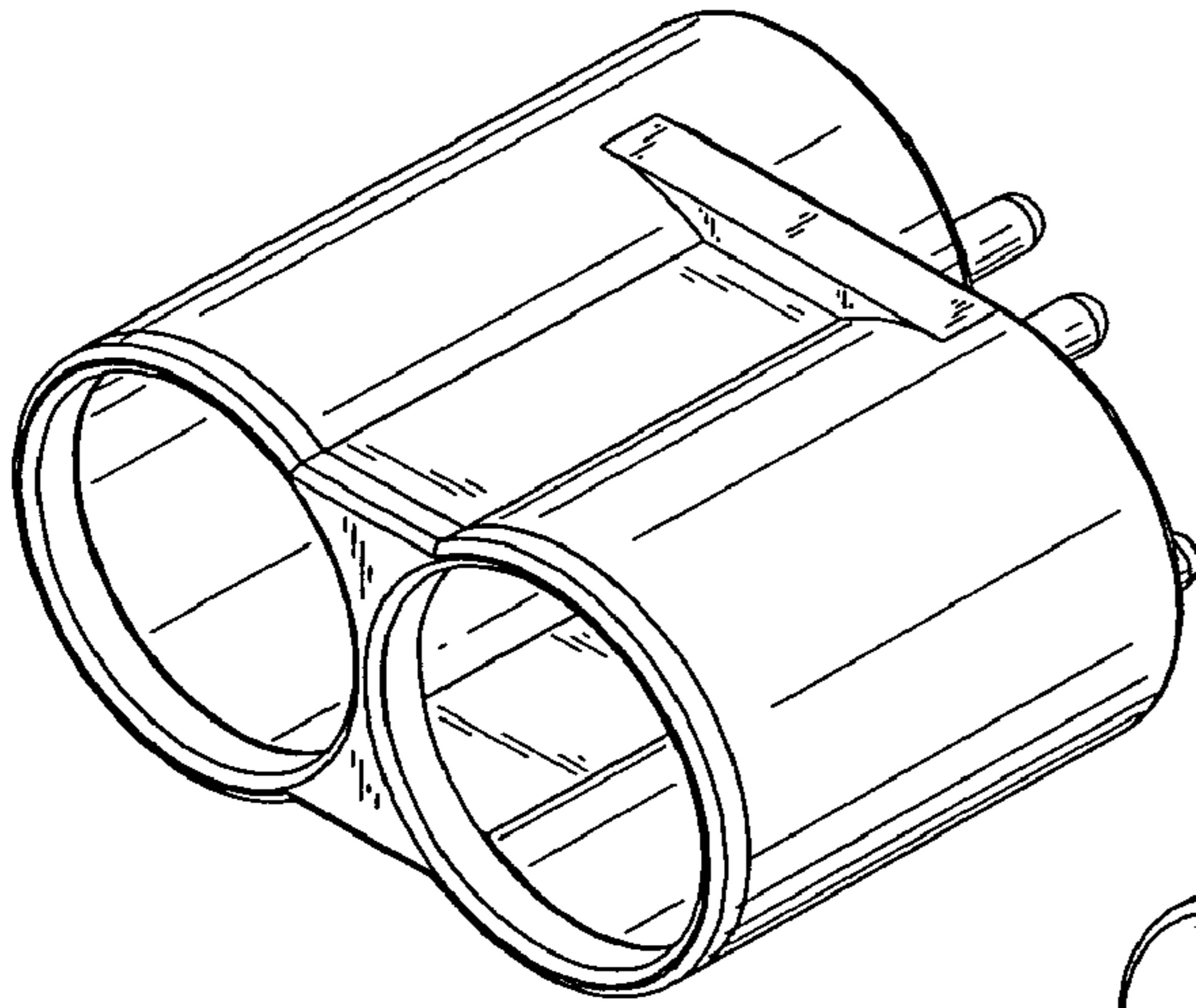


FIG. 1

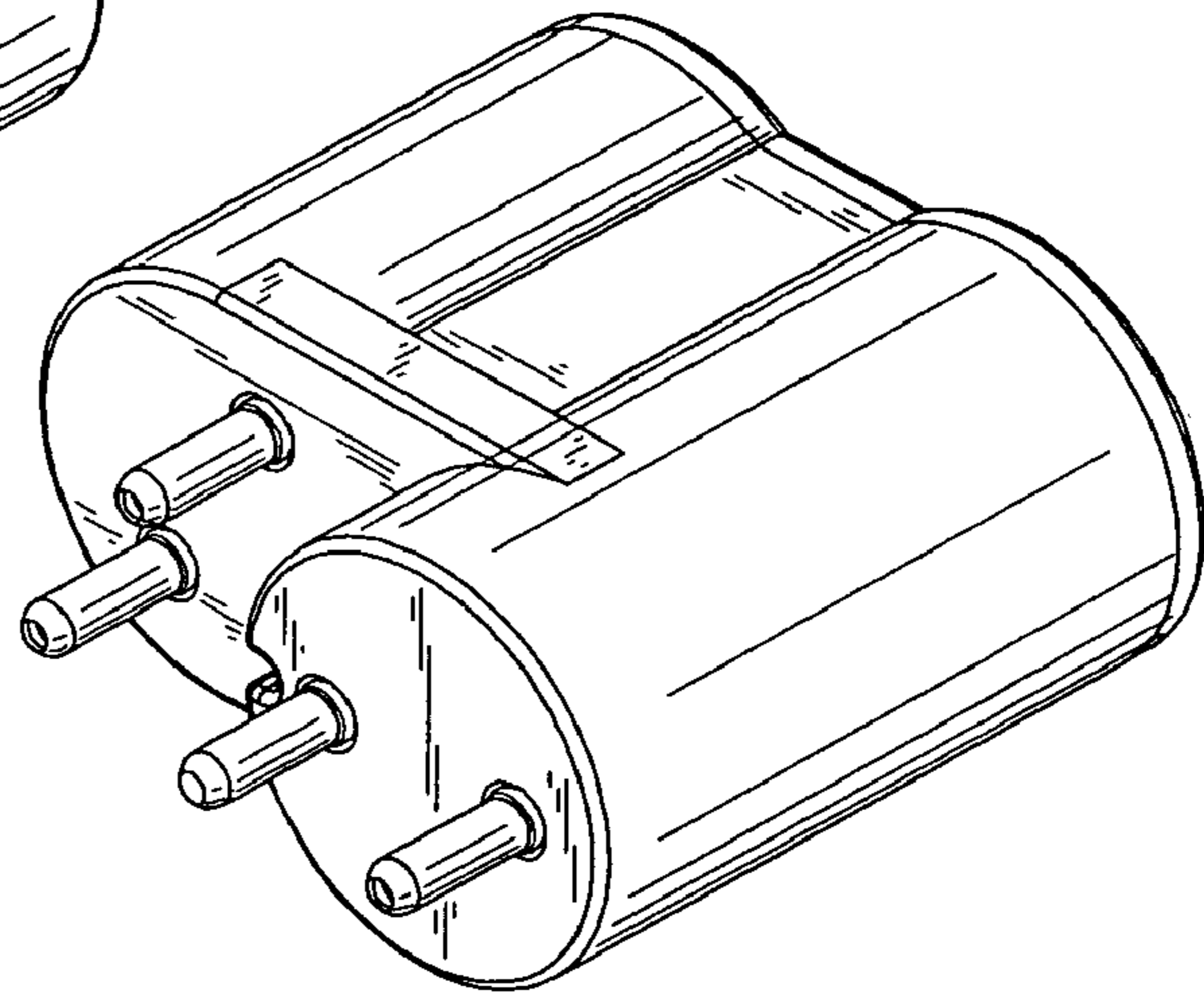


FIG. 2

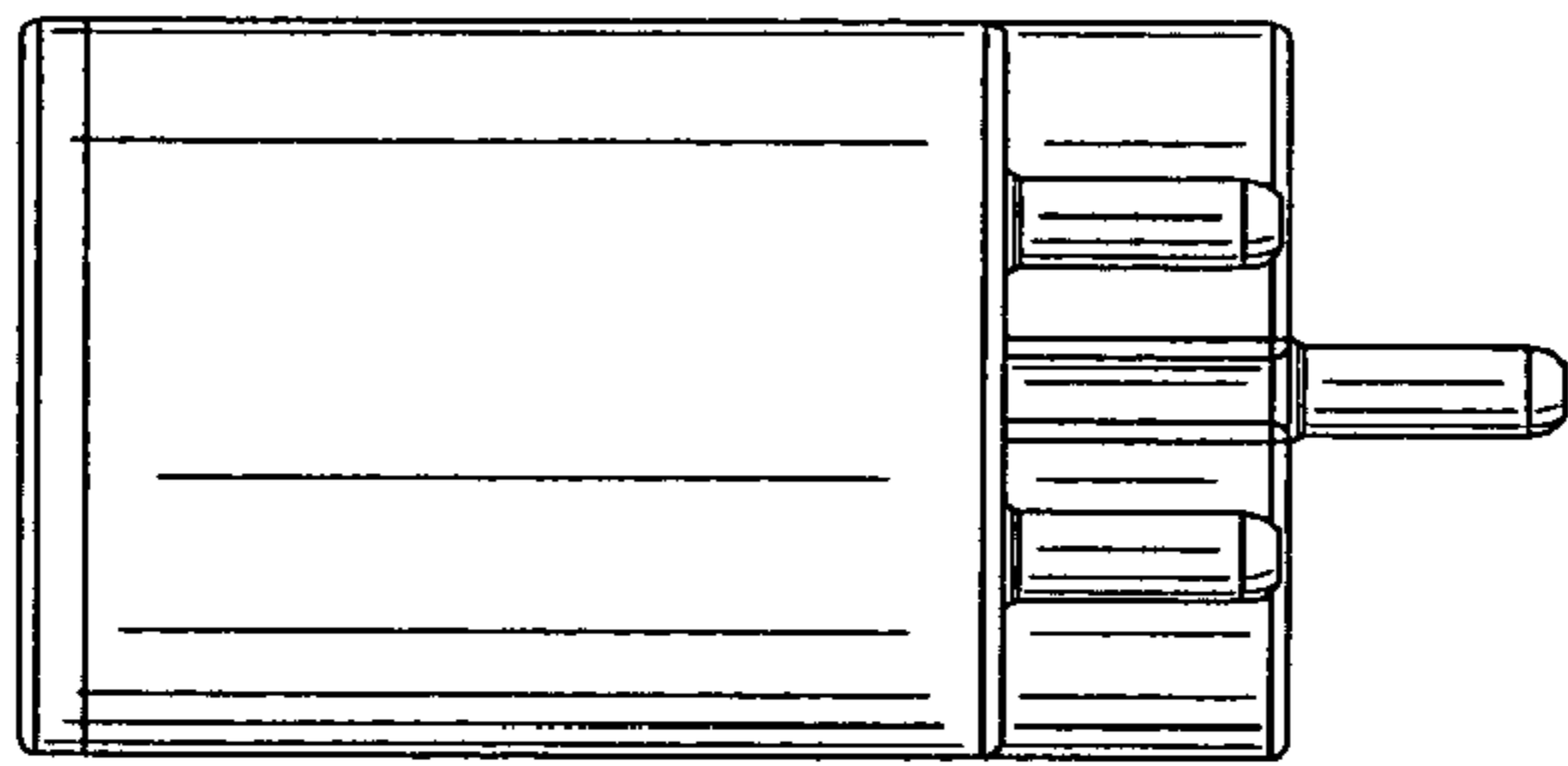


FIG. 3

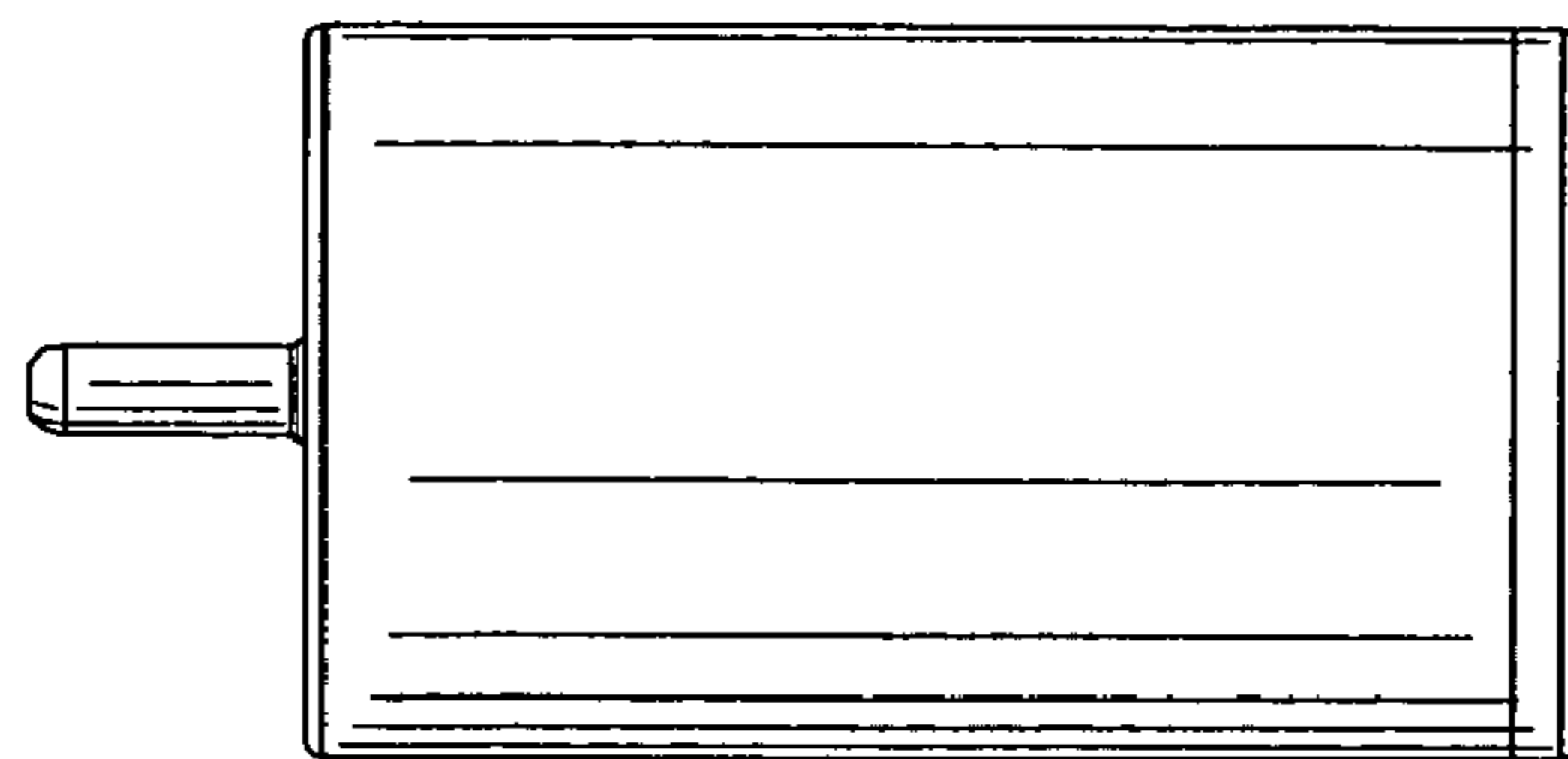


FIG. 4

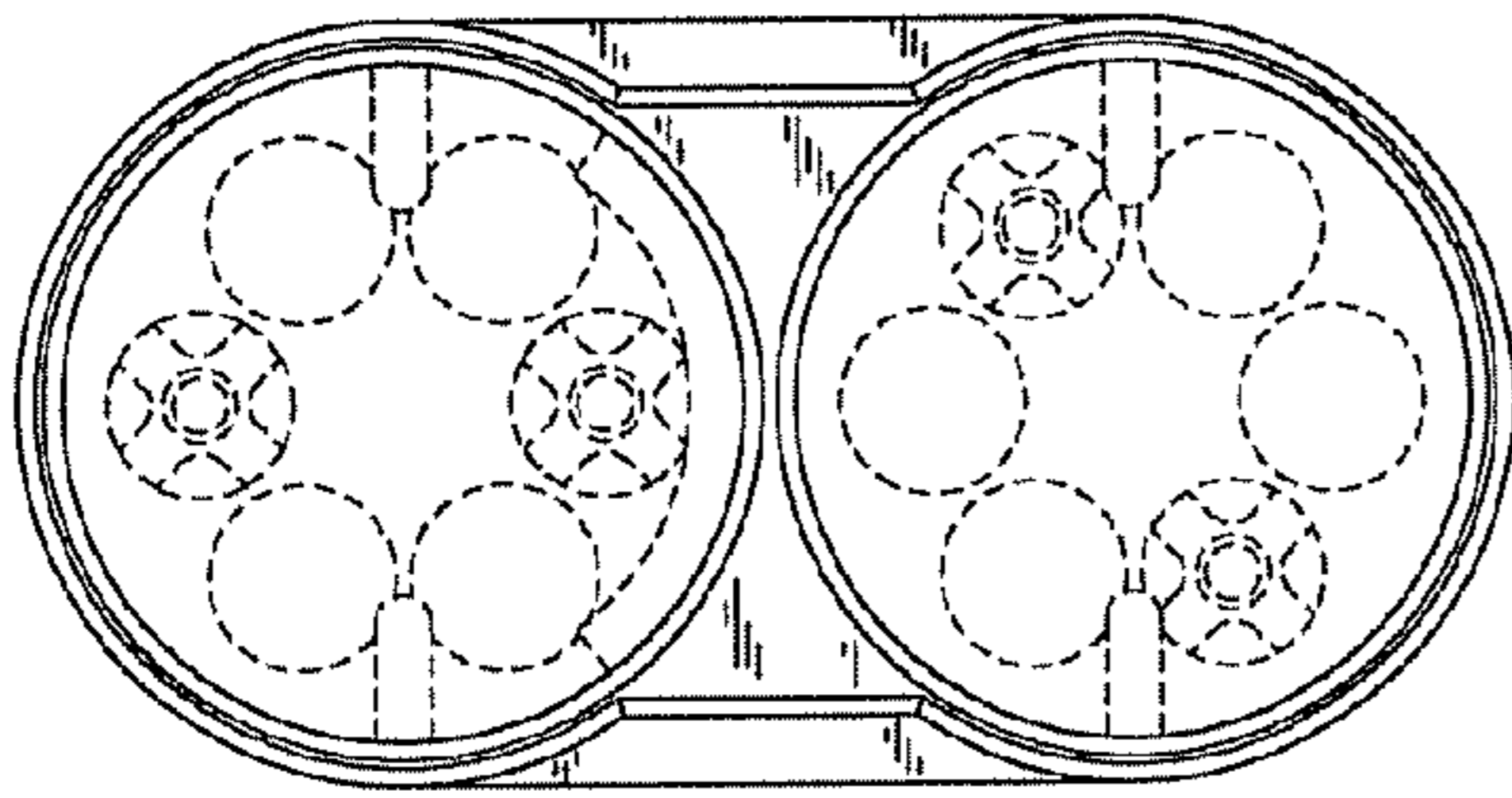


FIG. 5

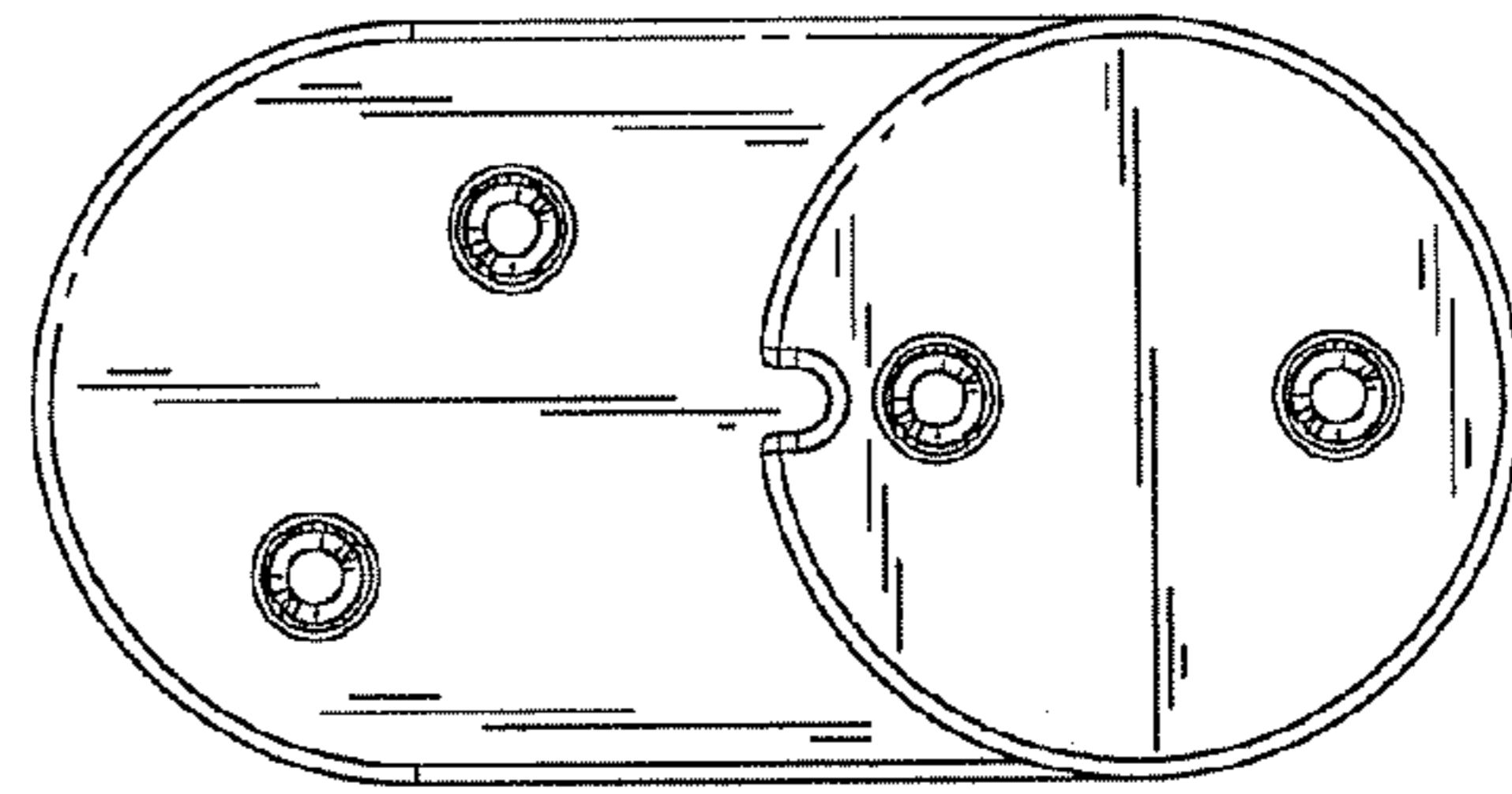


FIG. 6

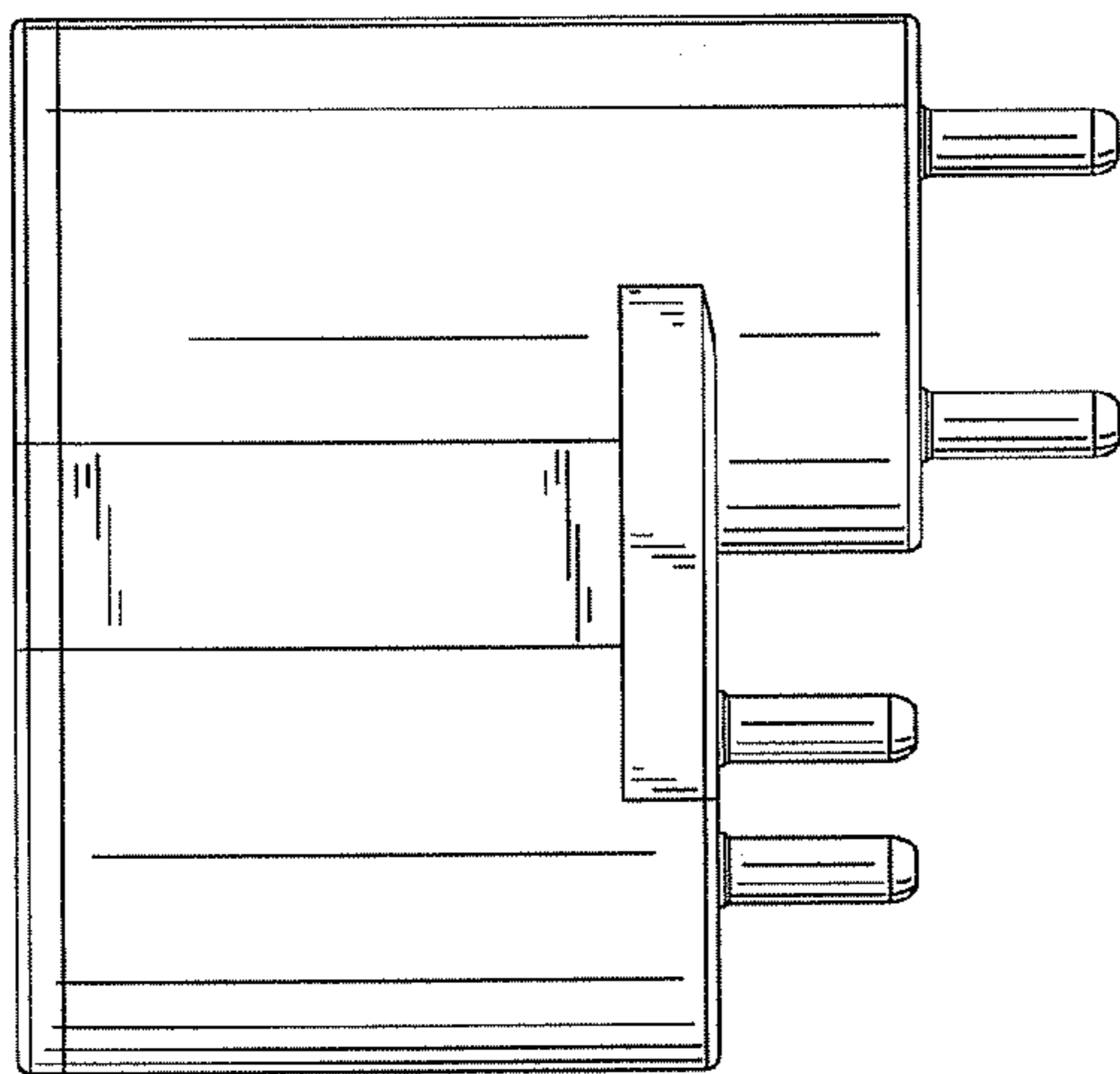


FIG. 7

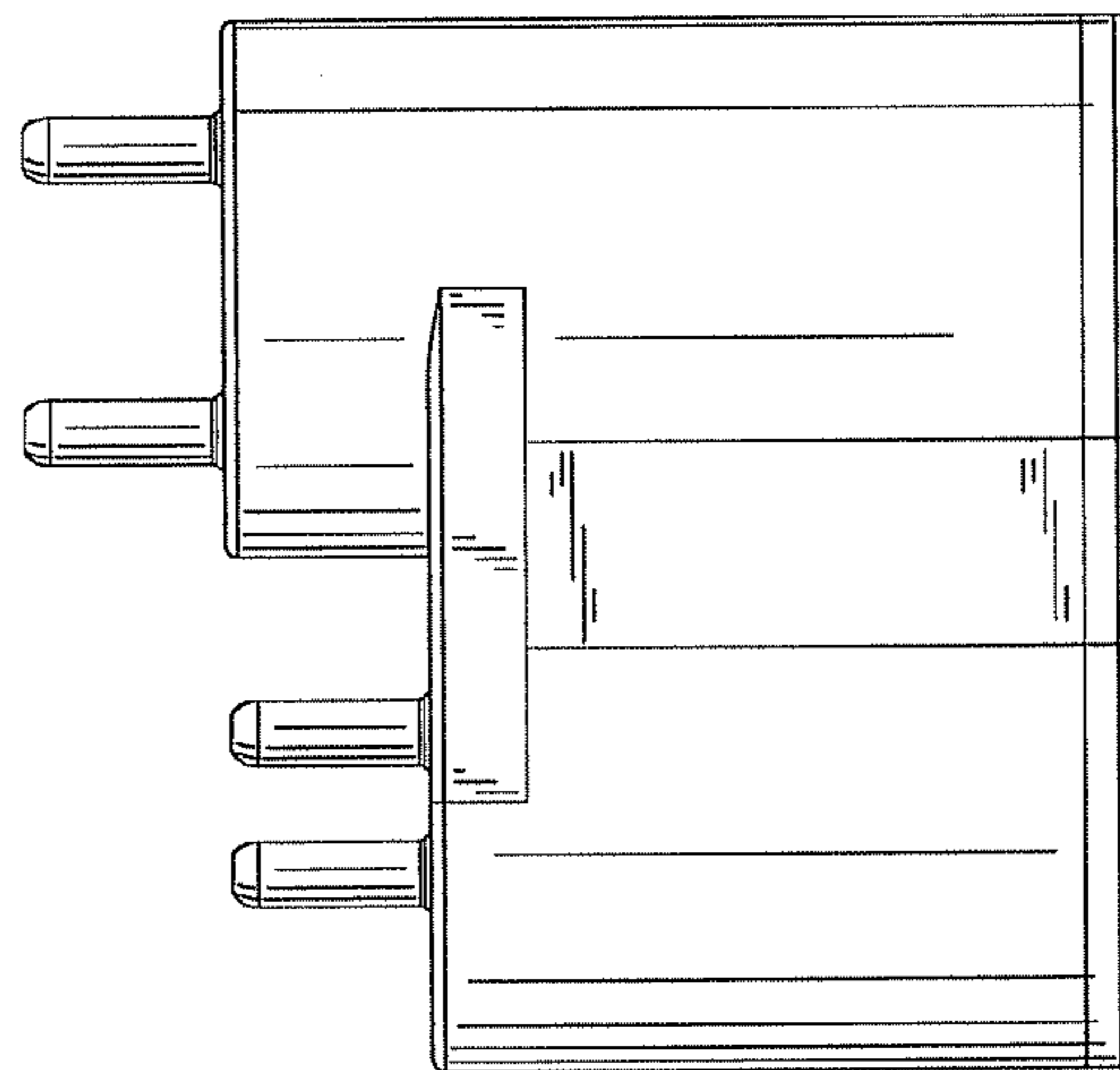


FIG. 8