



US00D546764S

(12) **United States Design Patent**
Ciancanelli et al.

(10) **Patent No.:** **US D546,764 S**

(45) **Date of Patent:** **** Jul. 17, 2007**

(54) **STEPPED PIN TWIN OVAL BASE CONNECTOR**

D475,014 S * 5/2003 Kano D13/133
6,974,347 B1 * 12/2005 Lin 439/425

(75) Inventors: **Gino J. Ciancanelli**, Southbury, CT (US); **Betty Jean Zayas**, Bridgeport, CT (US)

* cited by examiner

Primary Examiner—Daniel Bui
(74) *Attorney, Agent, or Firm*—Cantor Colburn LLP

(73) Assignee: **LightSources Inc.**, Orange, CT (US)

(57) **CLAIM**

(**) Term: **14 Years**

The ornamental design for a stepped pin twin oval base connector, as shown and described.

(21) Appl. No.: **29/266,659**

(22) Filed: **Sep. 26, 2006**

DESCRIPTION

(51) **LOC (8) Cl.** **13-03**

FIG. 1 is a top, front and left side perspective view of a stepped pin twin oval base connector, showing our new design;

(52) **U.S. Cl.** **D13/136; D13/134**

(58) **Field of Classification Search** D13/133–136, D13/154, 184, 199; D26/24, 113; 313/318.01, 313/318.02, 318.03, 318.05, 318.12; 362/260, 362/581; 439/168, 220, 226, 232, 280, 336, 439/419, 602

FIG. 2 is a top, rear and right side perspective view thereof;

FIG. 3 is a left side elevation view thereof;

FIG. 4 is a right side elevation view thereof;

FIG. 5 is a front elevation view thereof;

FIG. 6 is a rear elevation view thereof;

FIG. 7 is a top plan view thereof; and,

FIG. 8 is a bottom plan view thereof.

See application file for complete search history.

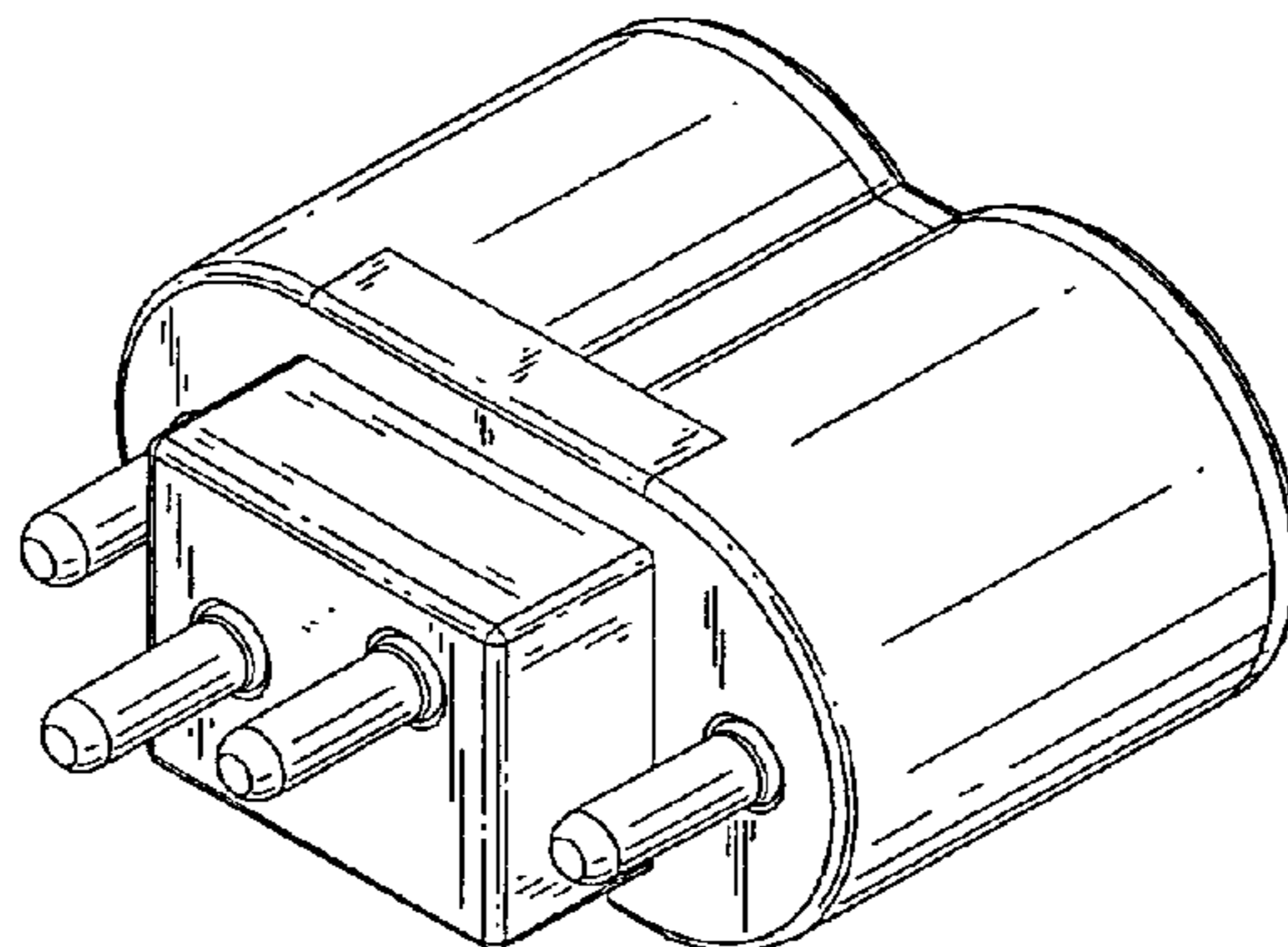
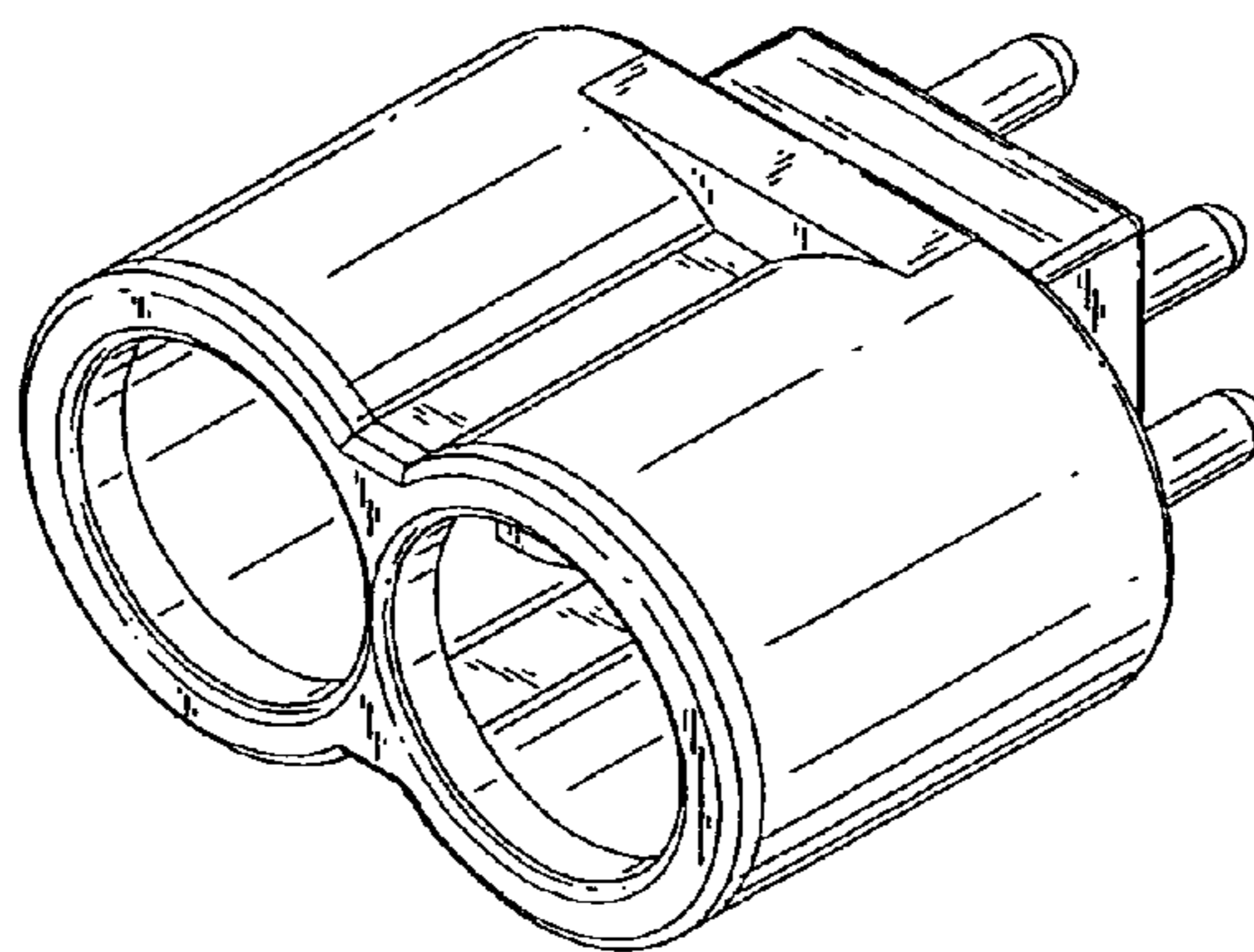
The broken line showing of the environment is for illustrative purposes only and forms no part of the claimed design.

(56) **References Cited**

U.S. PATENT DOCUMENTS

4,799,896	A *	1/1989	Gaynor et al.	439/232
D317,751	S *	6/1991	Kozono	D13/147
D417,193	S *	11/1999	Itaya et al.	D13/136
D474,447	S *	5/2003	Kano	D13/133

1 Claim, 2 Drawing Sheets



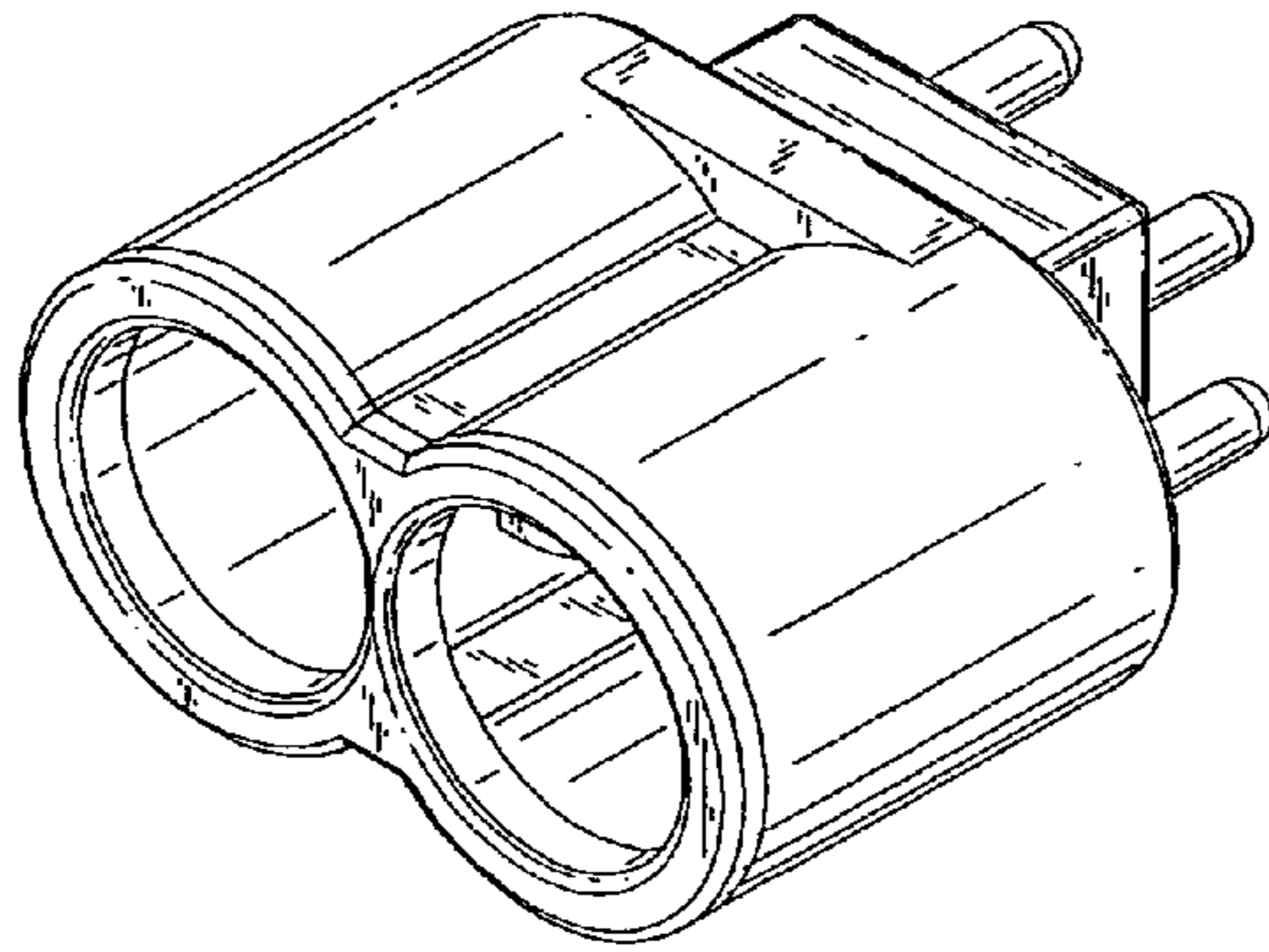


FIG. 1

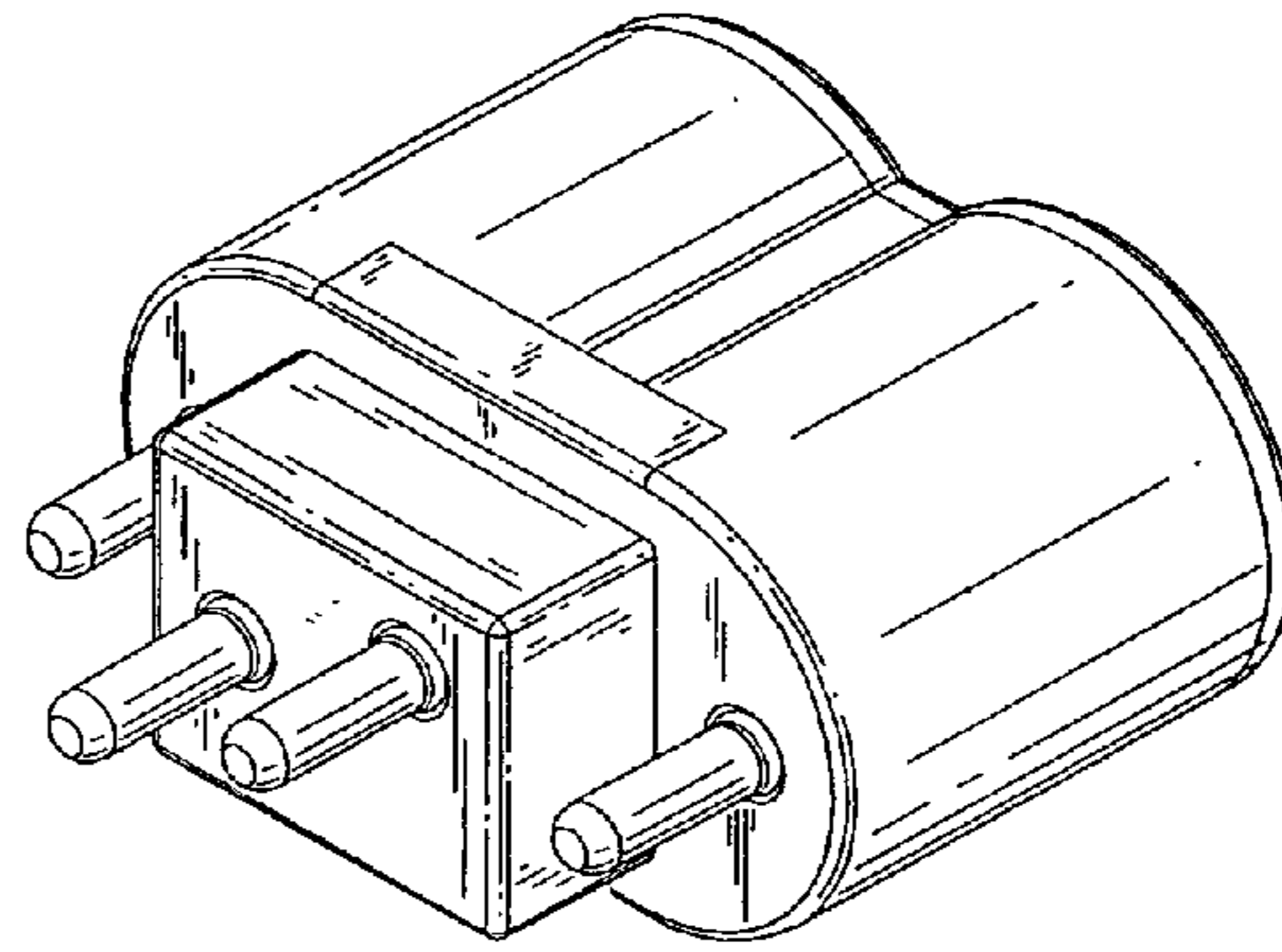


FIG. 2

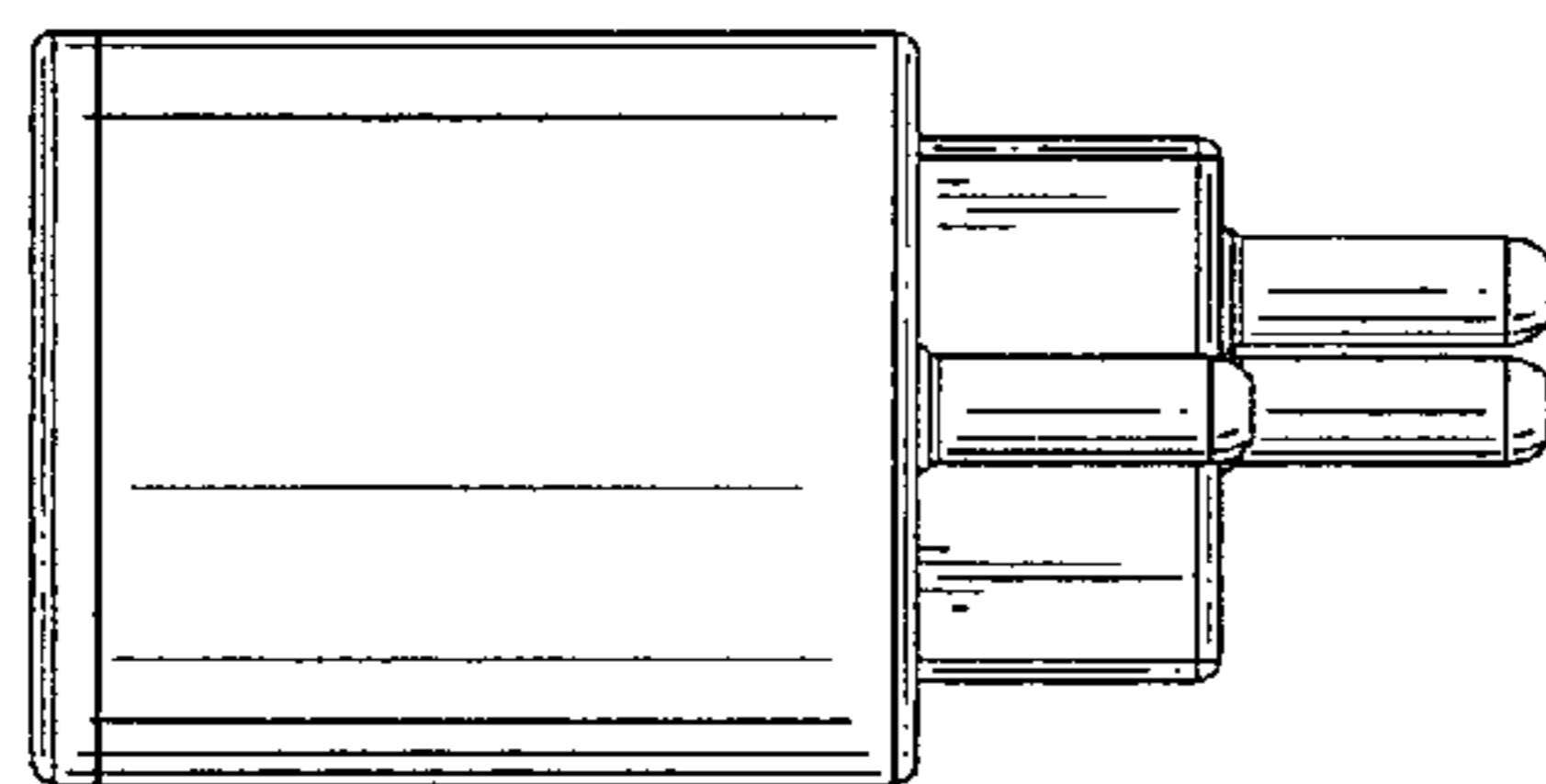


FIG. 3

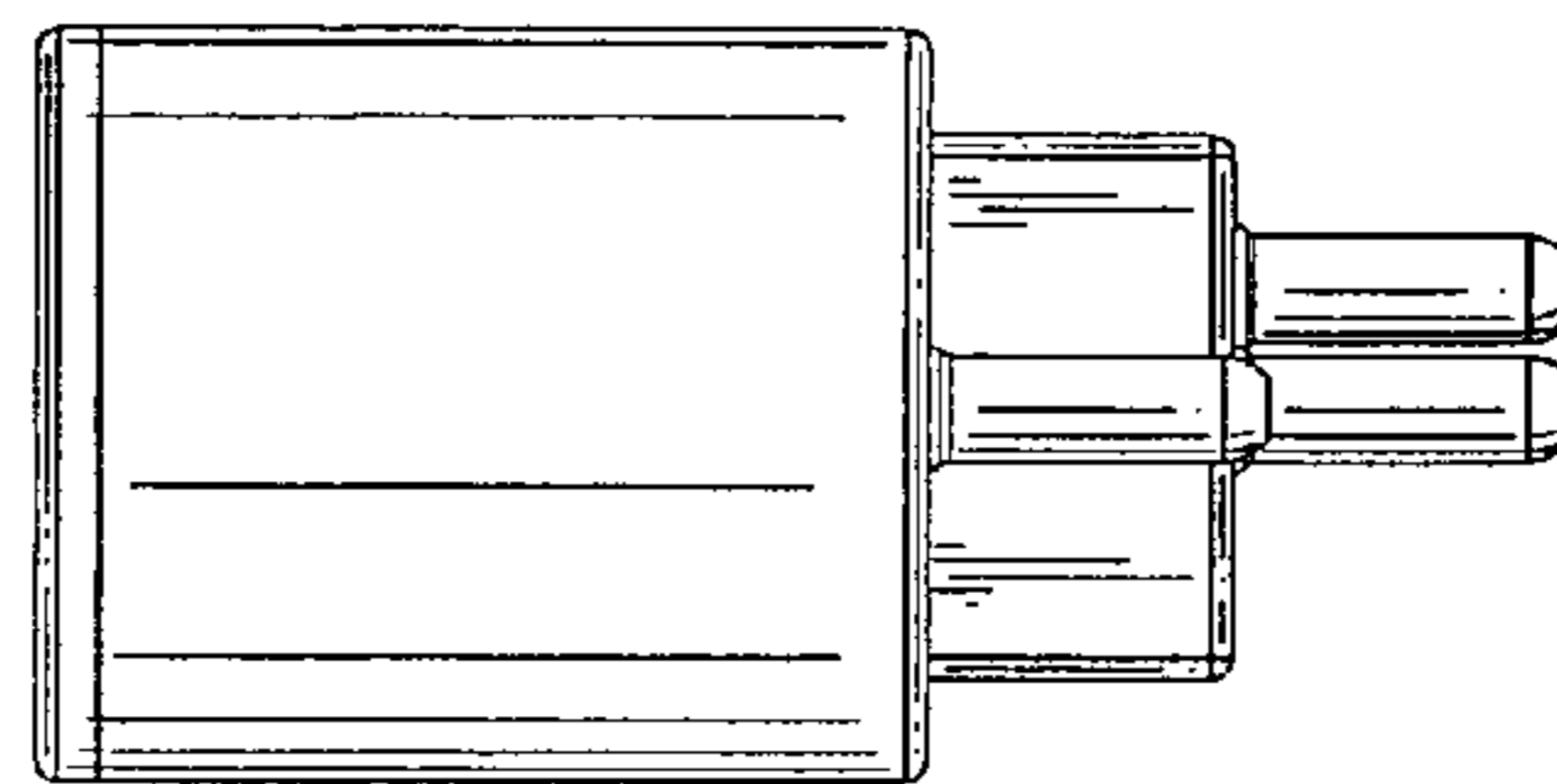


FIG. 4

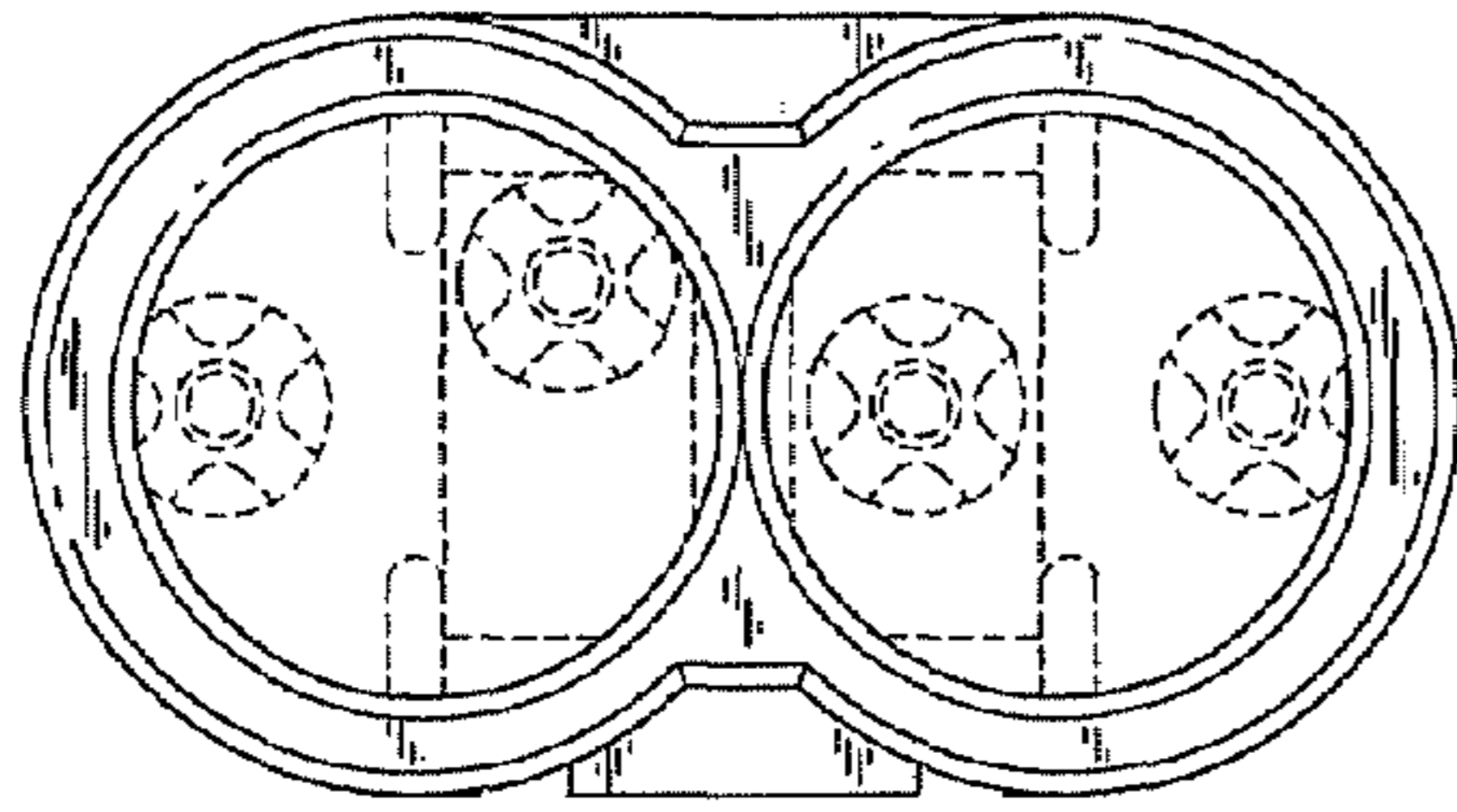


FIG. 5

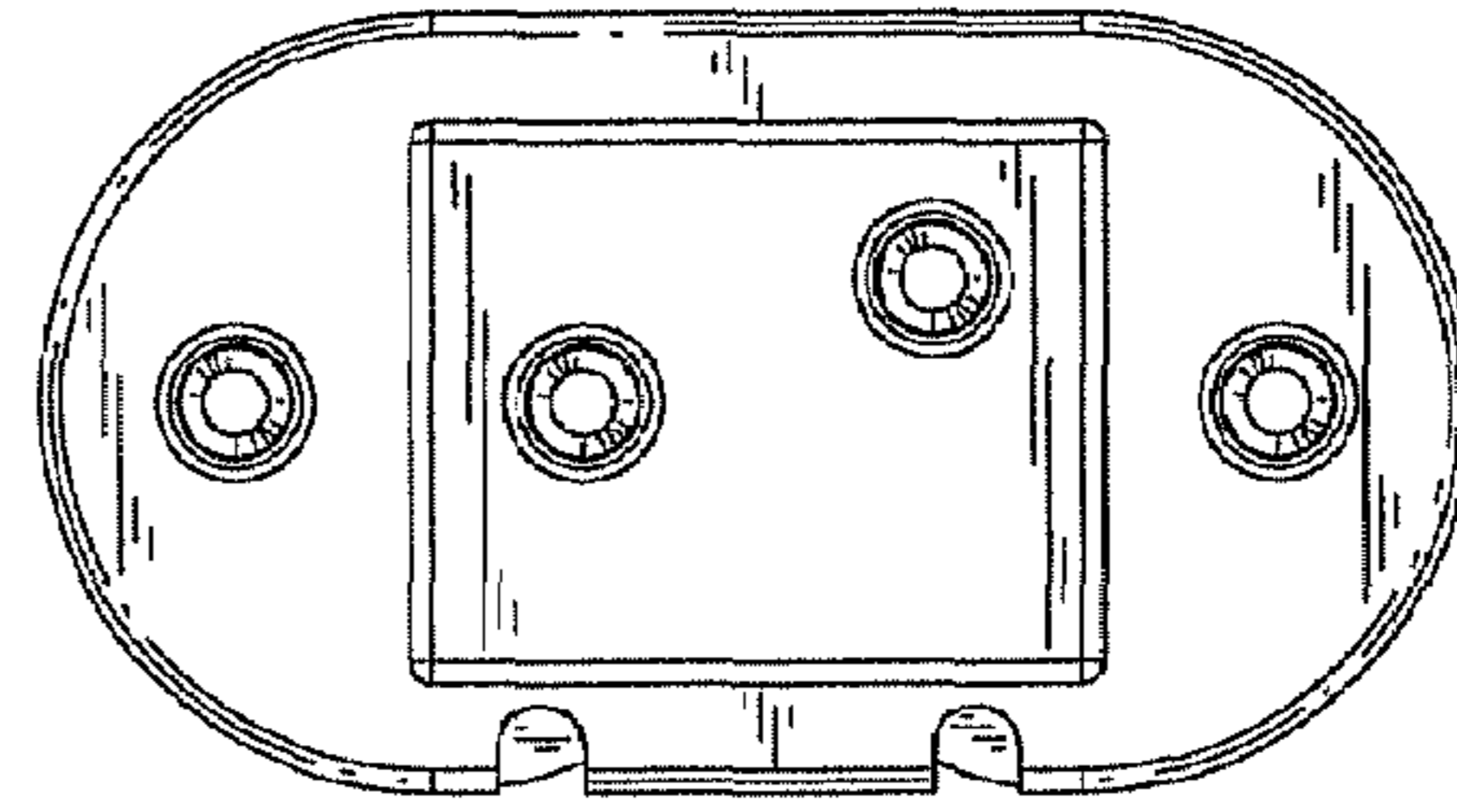


FIG. 6

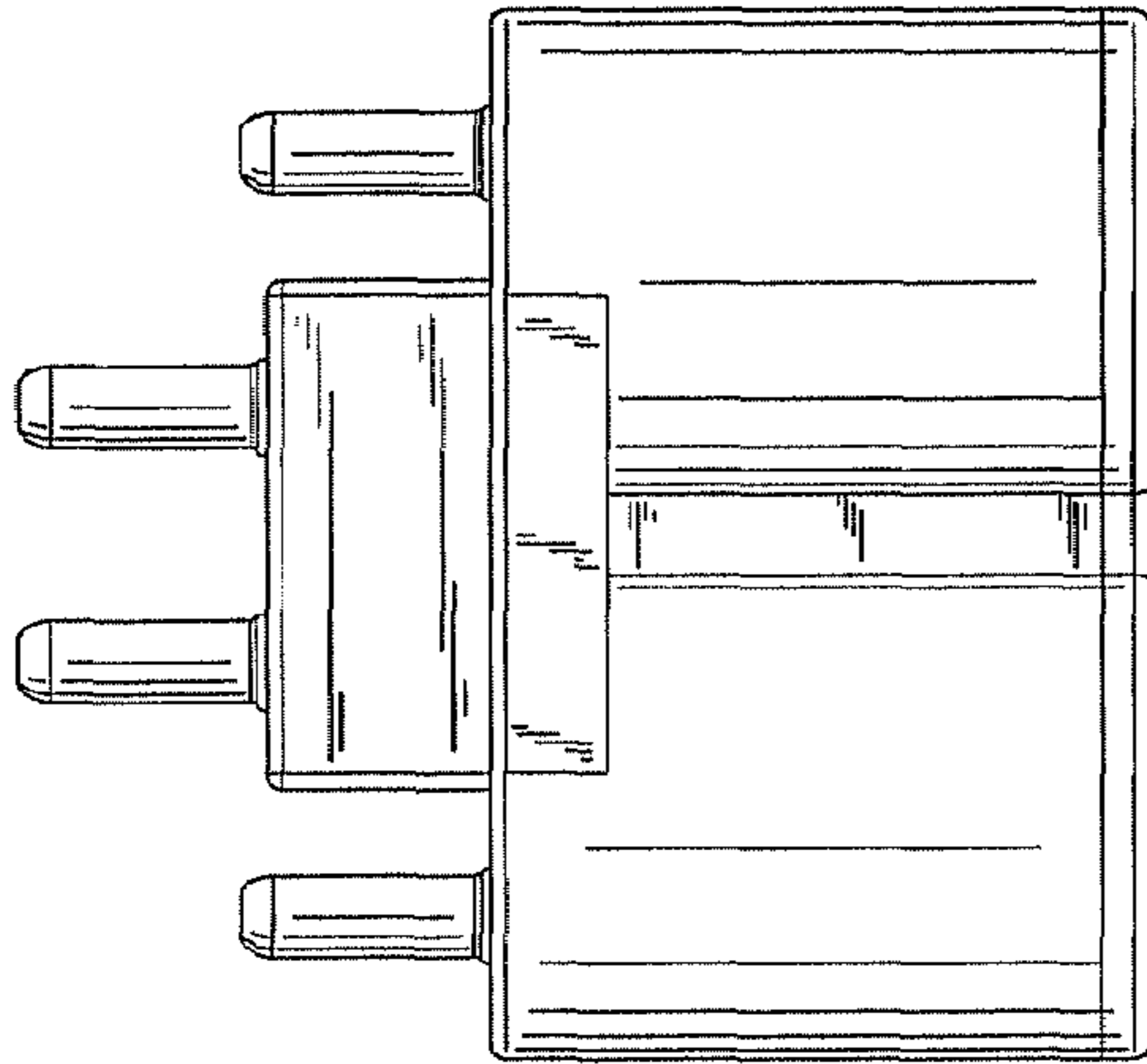


FIG. 7

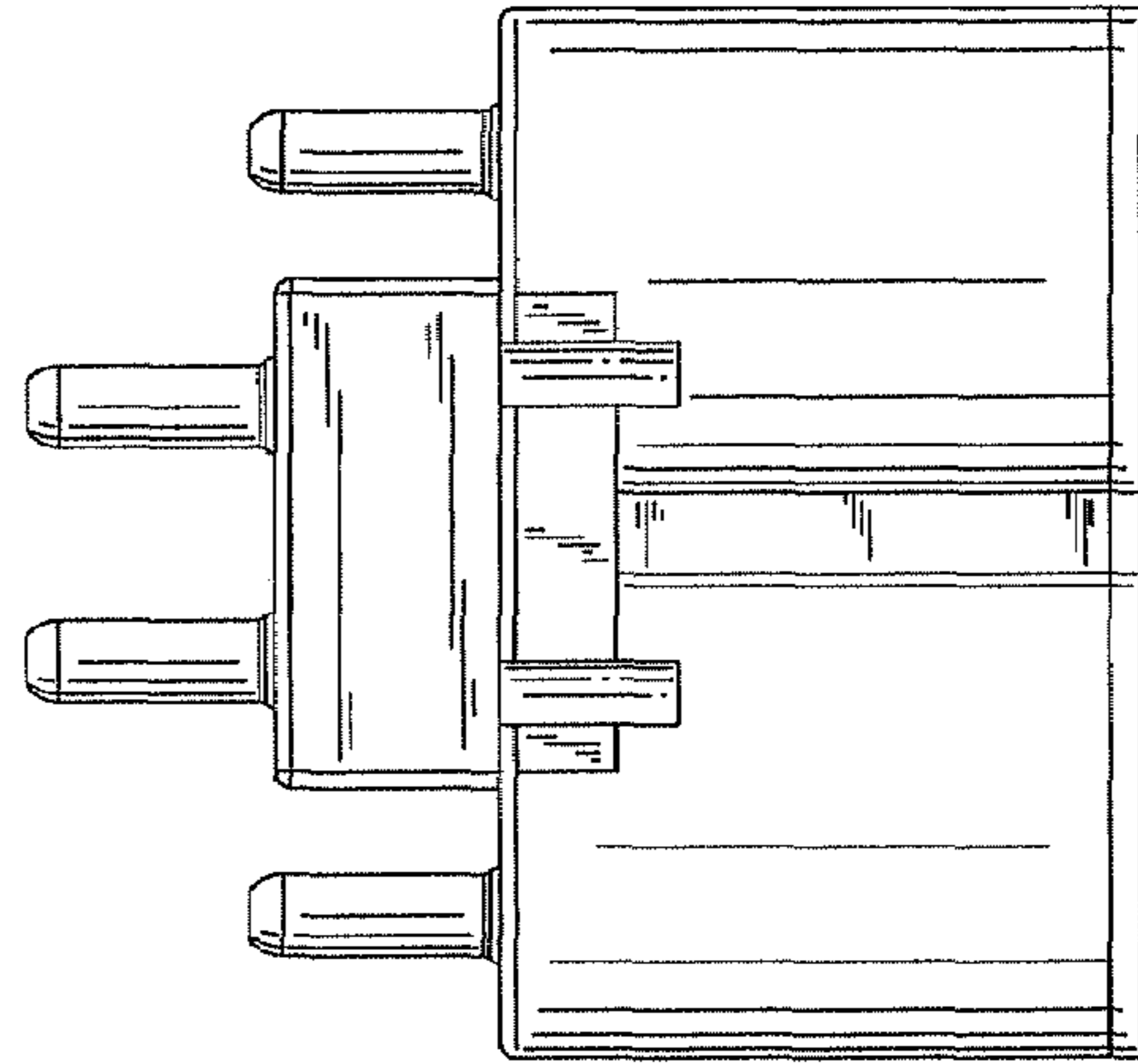


FIG. 8