



US00D546763S

(12) **United States Design Patent**  
**Kovacs**

(10) **Patent No.:** **US D546,763 S**

(45) **Date of Patent:** **\*\* Jul. 17, 2007**

(54) **FOUR LUGGED LAMP BASE**

D475,014 S \* 5/2003 Kano ..... D13/133

(75) Inventor: **George Kovacs**, Wallingford, CT (US)

\* cited by examiner

(73) Assignee: **LightSourcos Inc.**, Orange, CT (US)

*Primary Examiner*—Daniel Bui

(74) *Attorney, Agent, or Firm*—Cantor Colburn LLP

(\*\*) Term: **14 Years**

(57) **CLAIM**

(21) Appl. No.: **29/266,648**

The ornamental design for a four lugged lamp base, as shown and described.

(22) Filed: **Sep. 25, 2006**

(51) **LOC (8) Cl.** ..... **13-03**

(52) **U.S. Cl.** ..... **D13/136; D13/134**

(58) **Field of Classification Search** ..... D13/133–136,  
D13/154, 184, 199; D26/24, 113; 313/318.01,  
313/318.02, 318.03, 318.05, 318.12; 362/260,  
362/581; 439/168, 220, 226, 232, 280, 336,  
439/419, 602

See application file for complete search history.

**DESCRIPTION**

FIG. 1 is a top, front and right side perspective view of a four lugged lamp base, showing our new design;

FIG. 2 is a top, rear and left side perspective view thereof;

FIG. 3 is a front elevation view thereof;

FIG. 4 is a rear elevation view thereof;

FIG. 5 is a left side elevation view thereof;

FIG. 6 is a right side elevation view thereof;

FIG. 7 is a bottom plan view thereof; and,

FIG. 8 is a top plan view thereof.

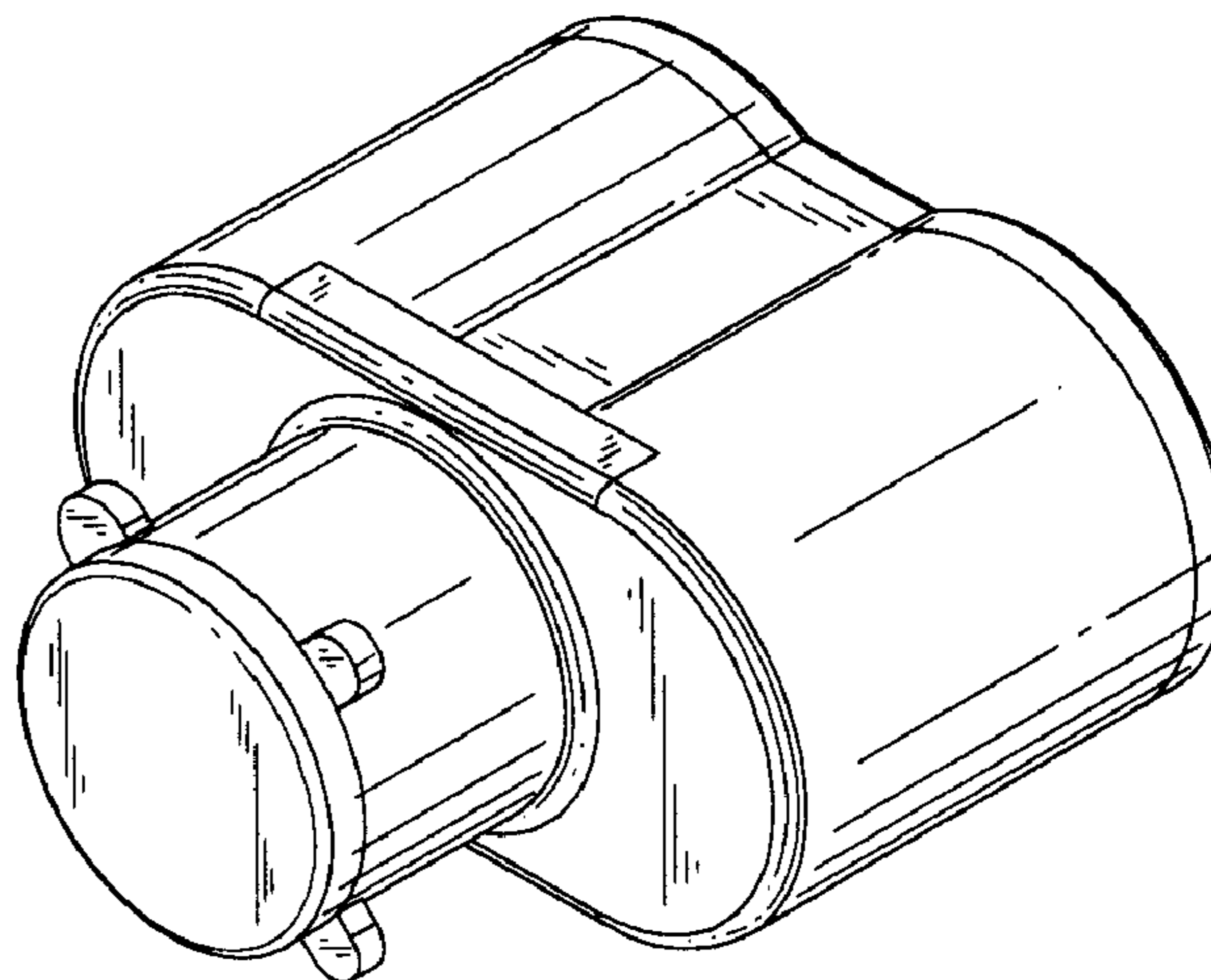
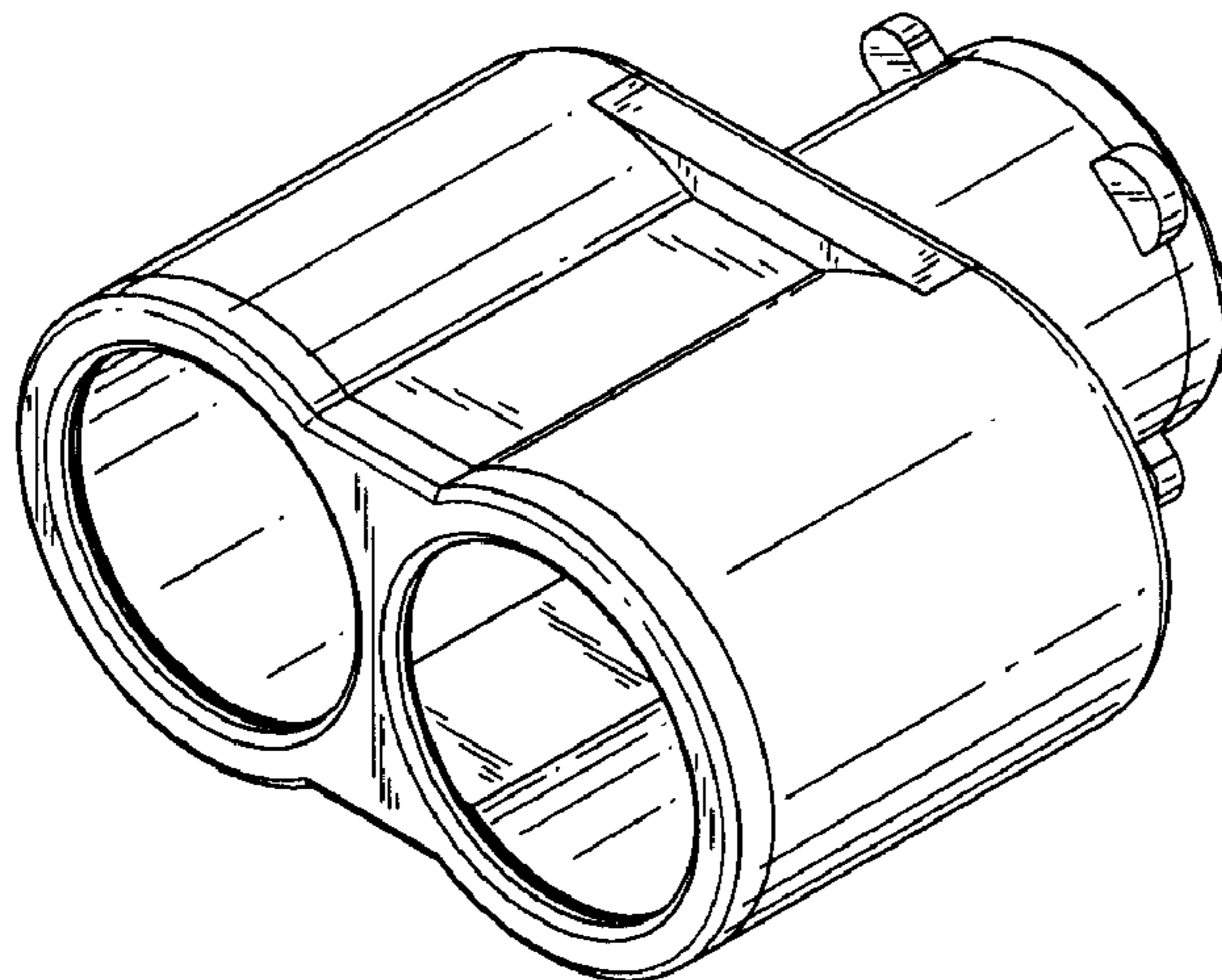
The broken line showing of the environment is for illustrative purposes only and forms no part of the claimed design.

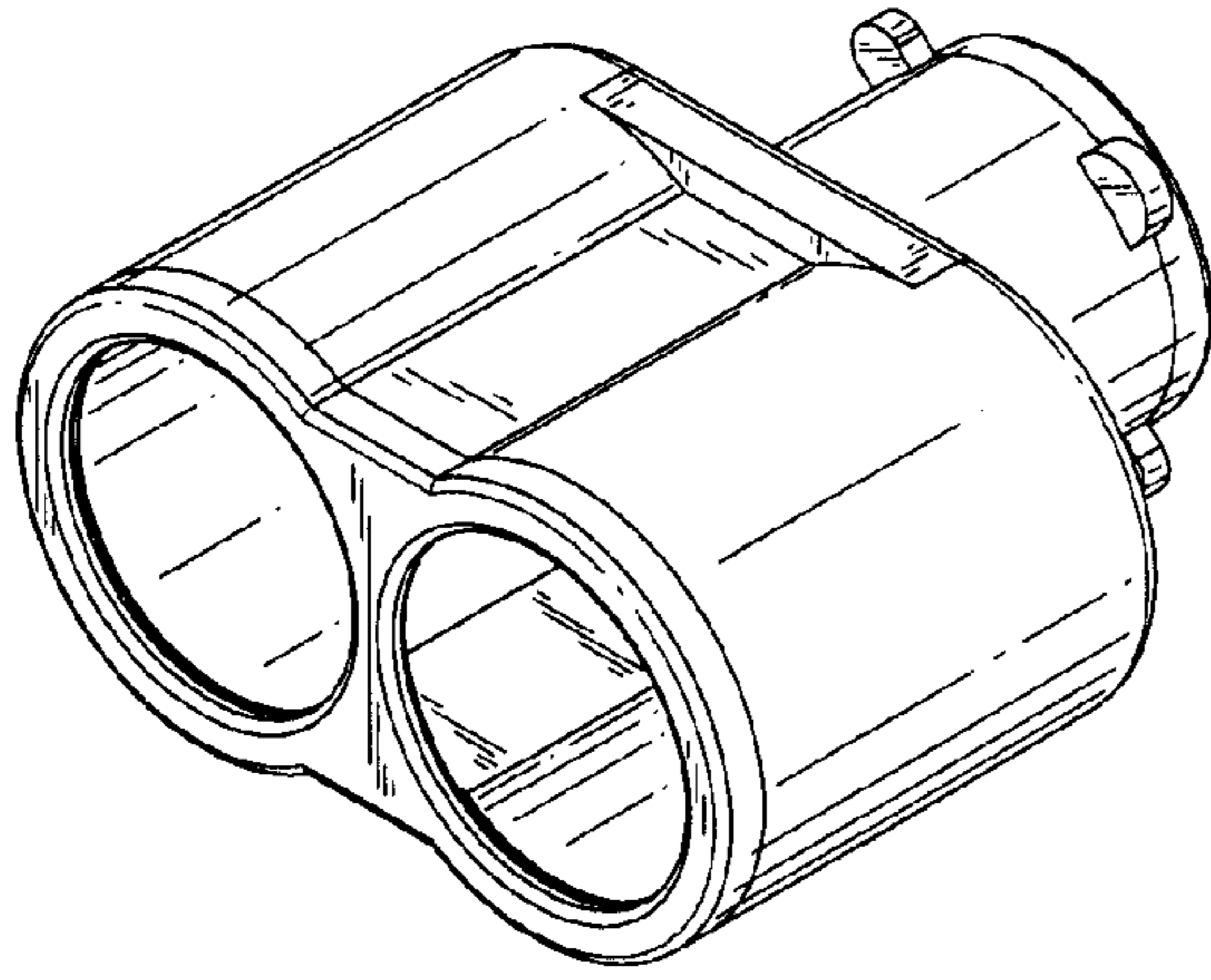
(56) **References Cited**

**U.S. PATENT DOCUMENTS**

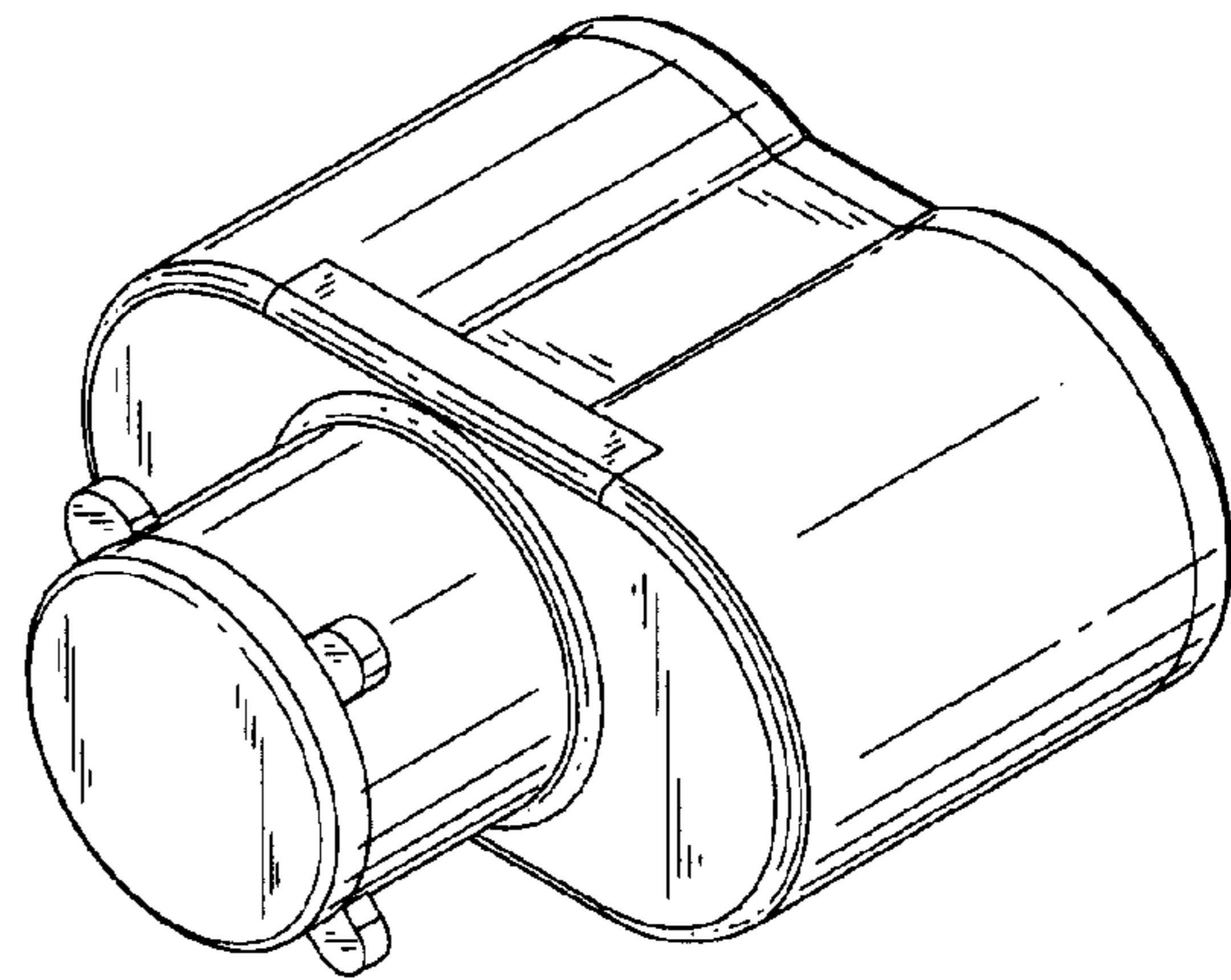
- D53,375 S \* 5/1919 O'Donnell ..... D13/136
- D317,751 S \* 6/1991 Kozono ..... D13/147
- D417,193 S \* 11/1999 Itaya et al. .... D13/136
- 6,213,816 B1 \* 4/2001 Meichsner et al. .... 439/699.2
- D474,447 S \* 5/2003 Kano ..... D13/133

**1 Claim, 2 Drawing Sheets**

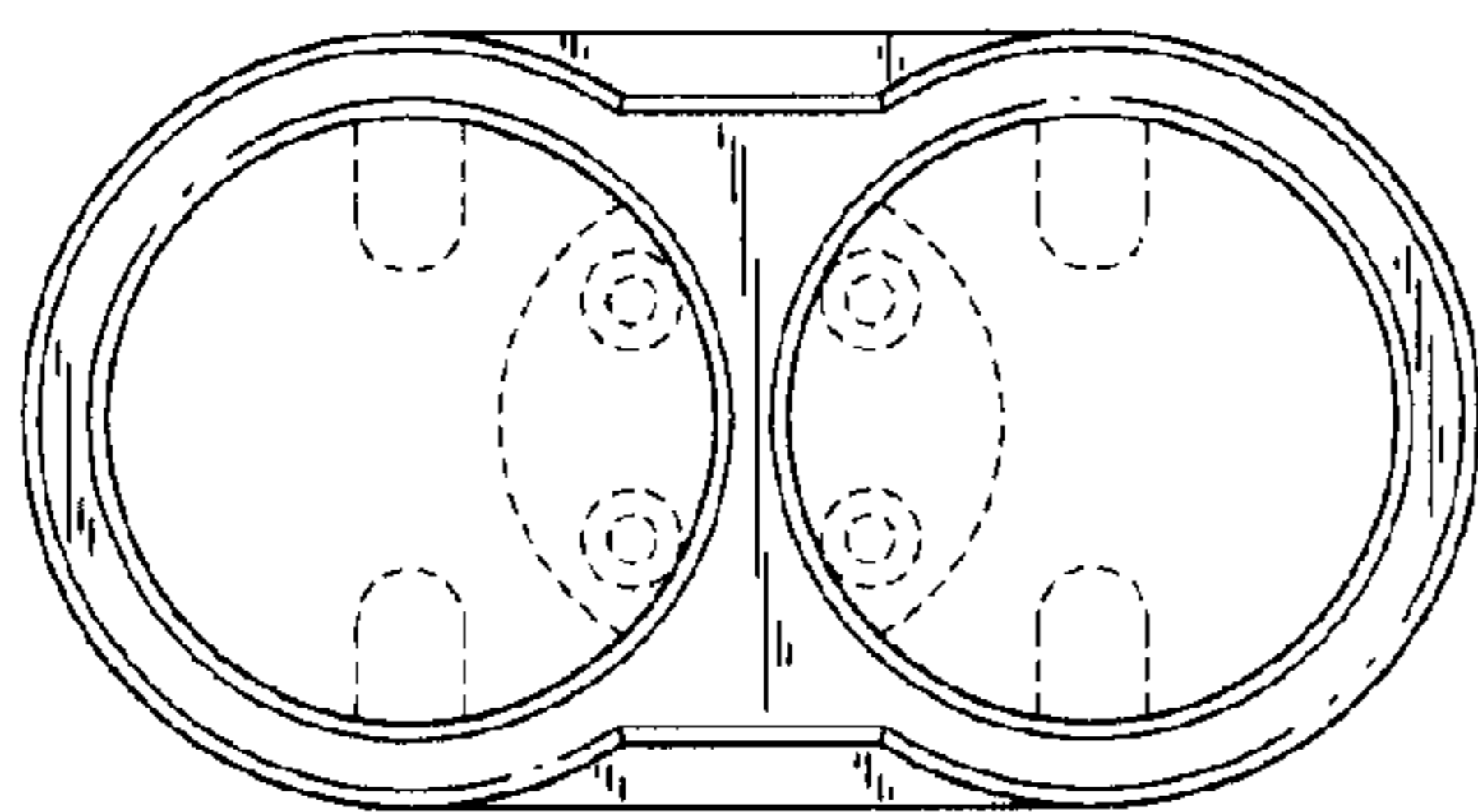




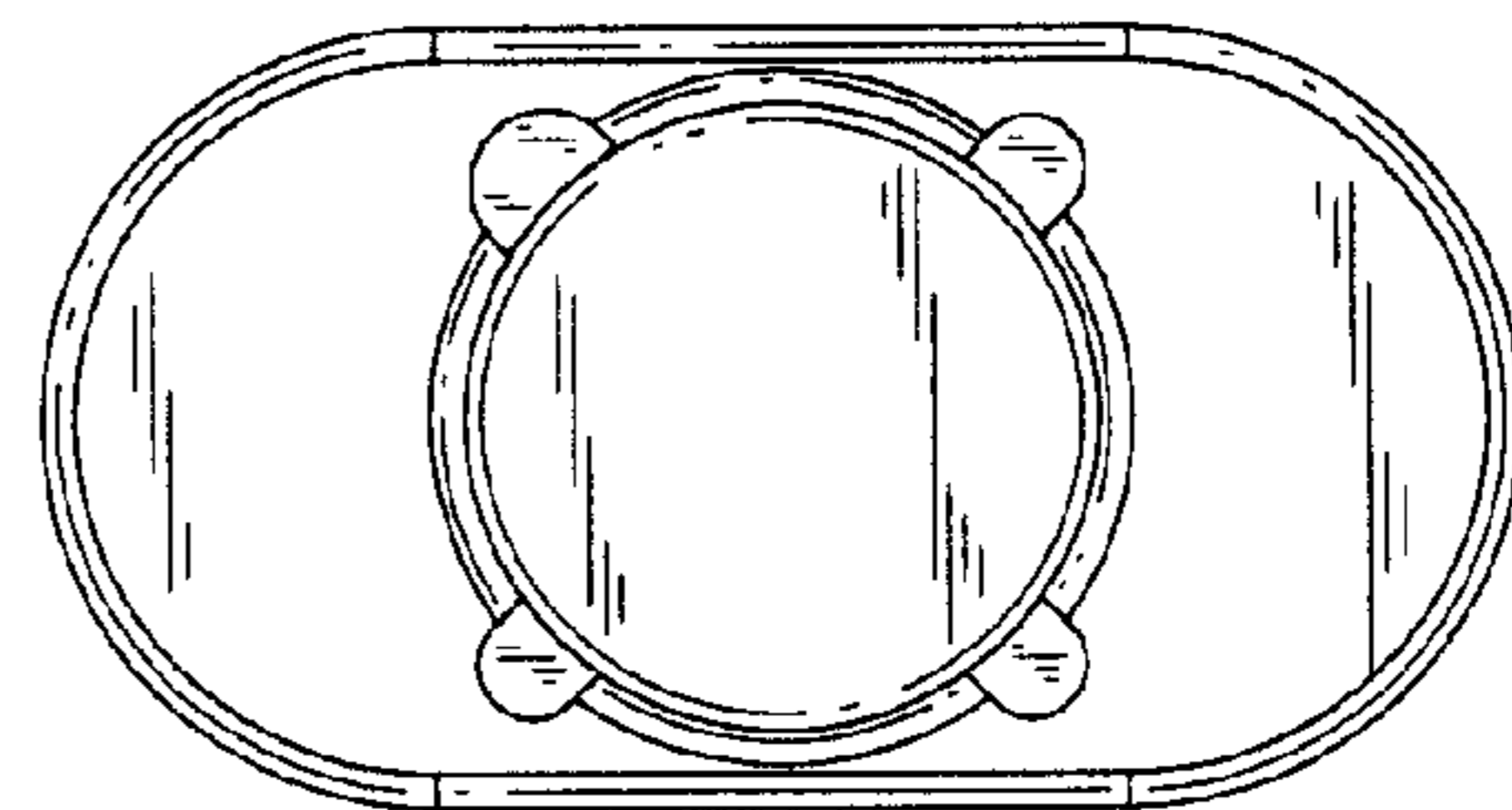
*FIG. 1*



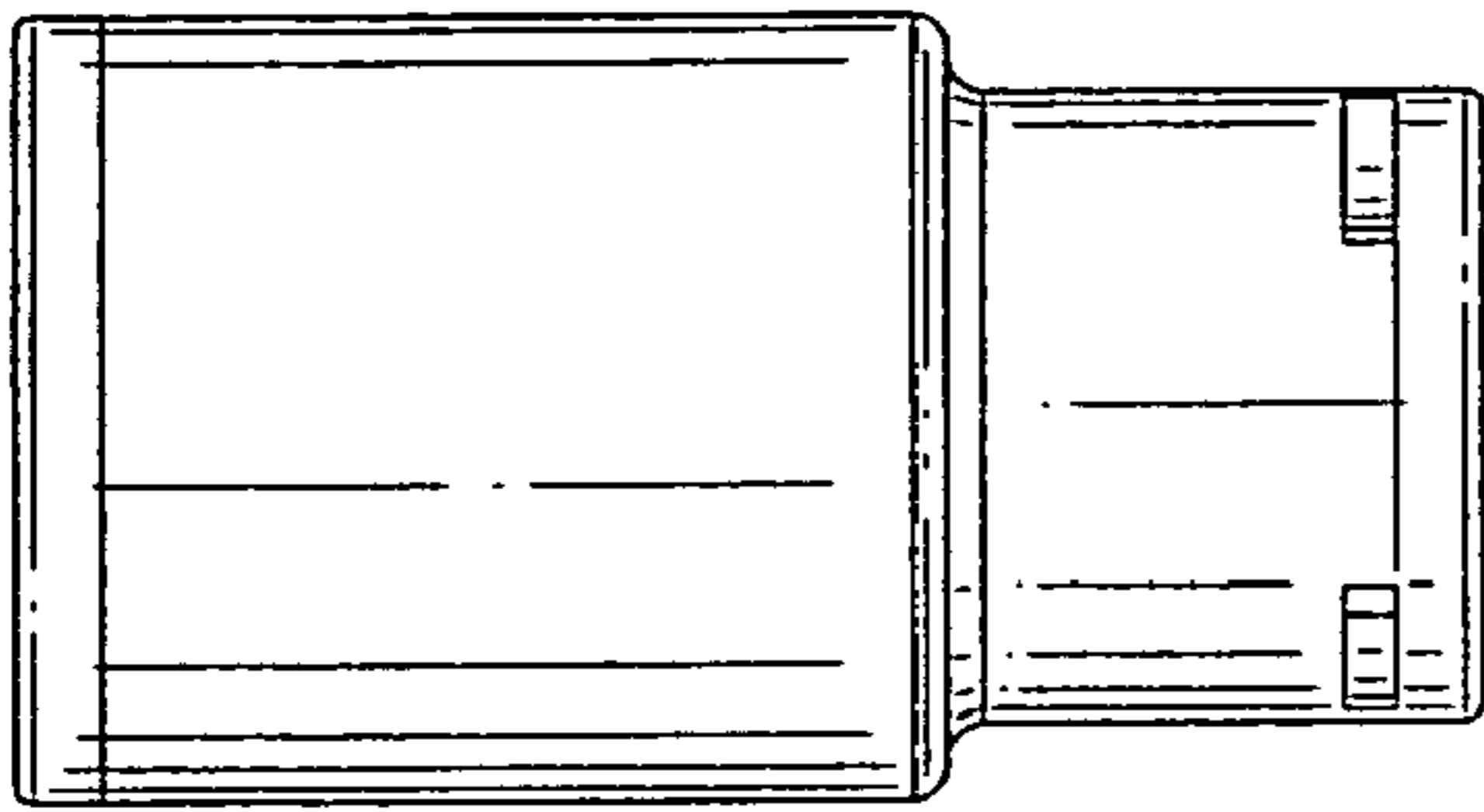
*FIG. 2*



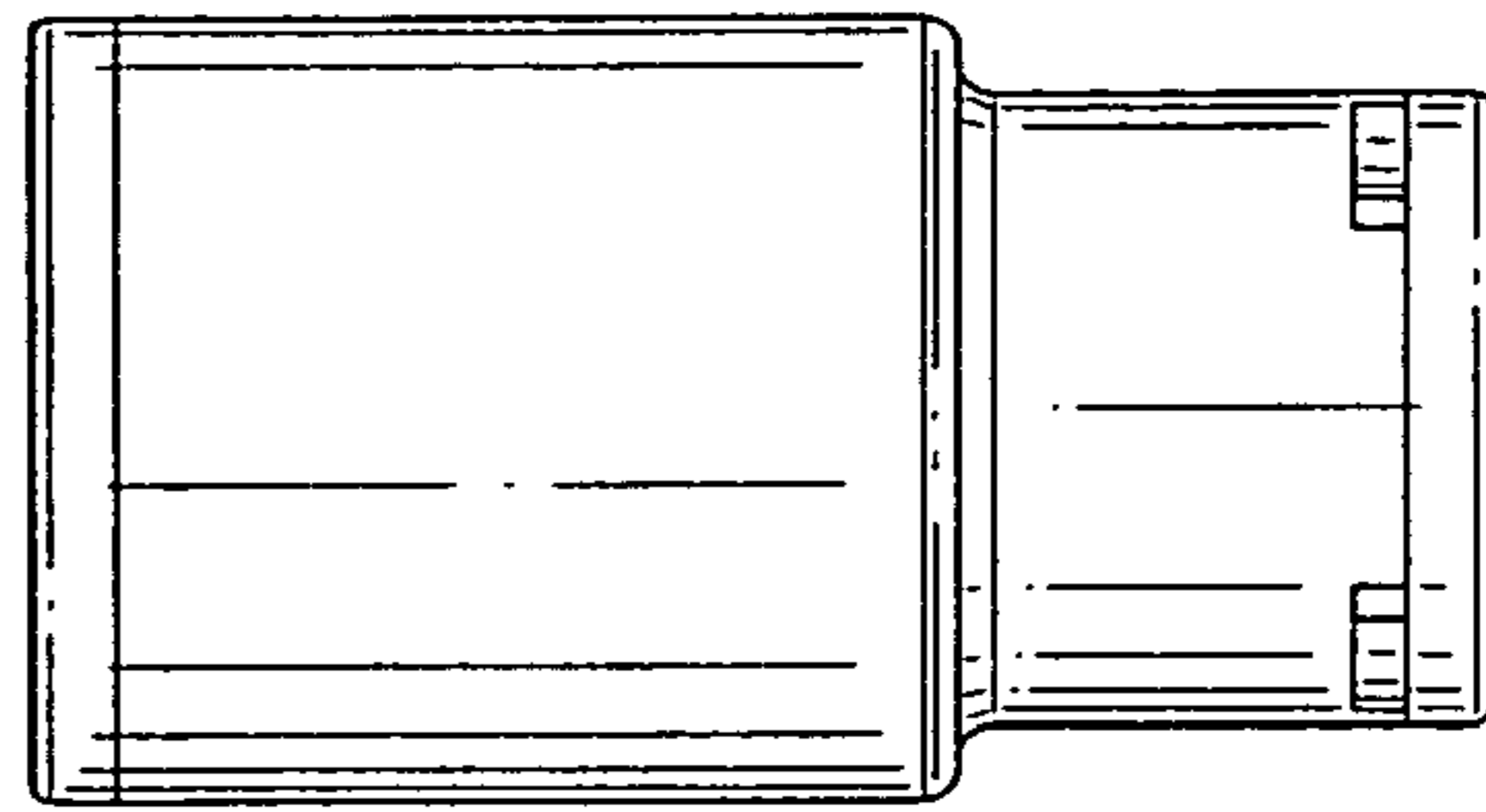
*FIG. 3*



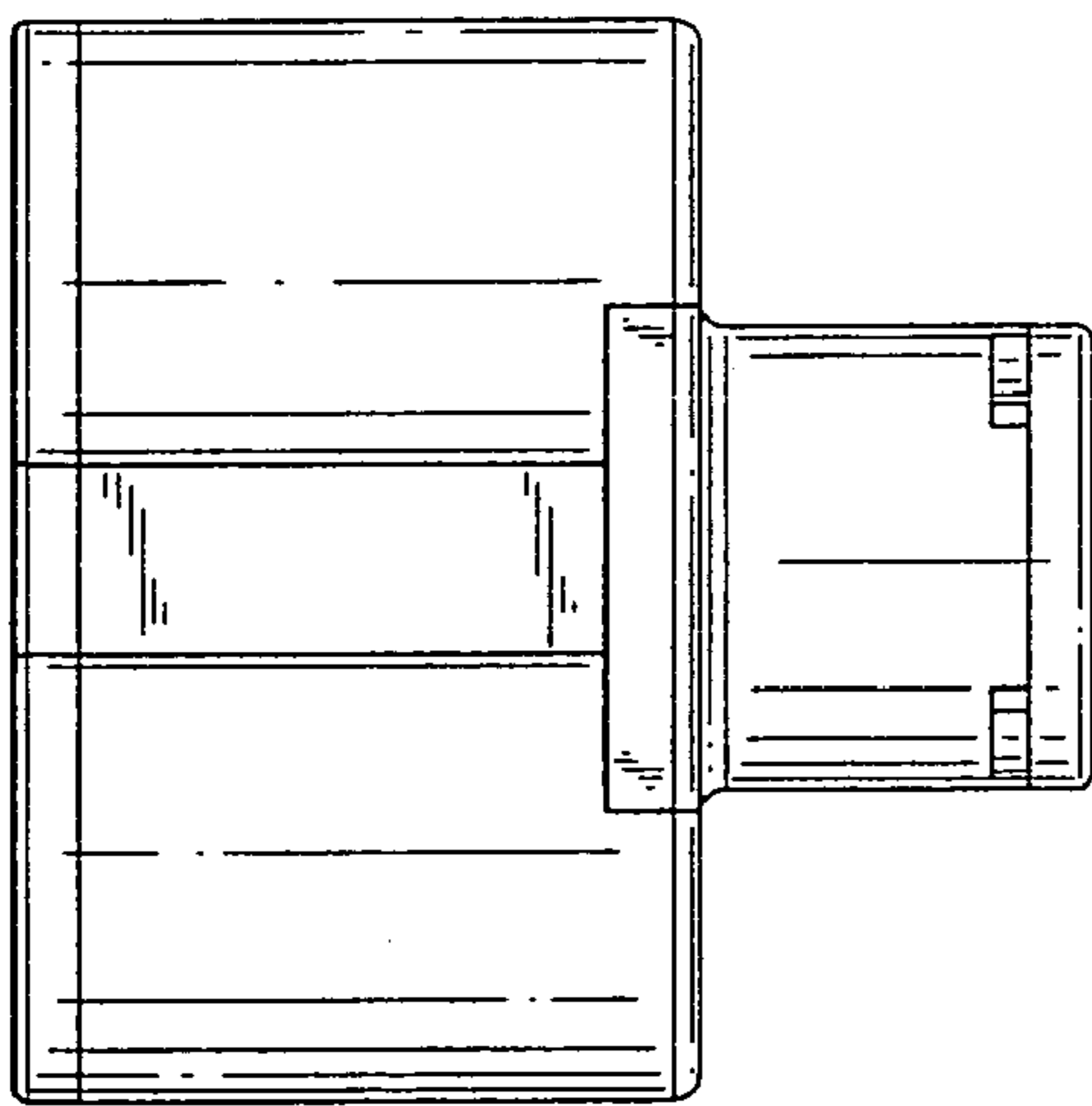
*FIG. 4*



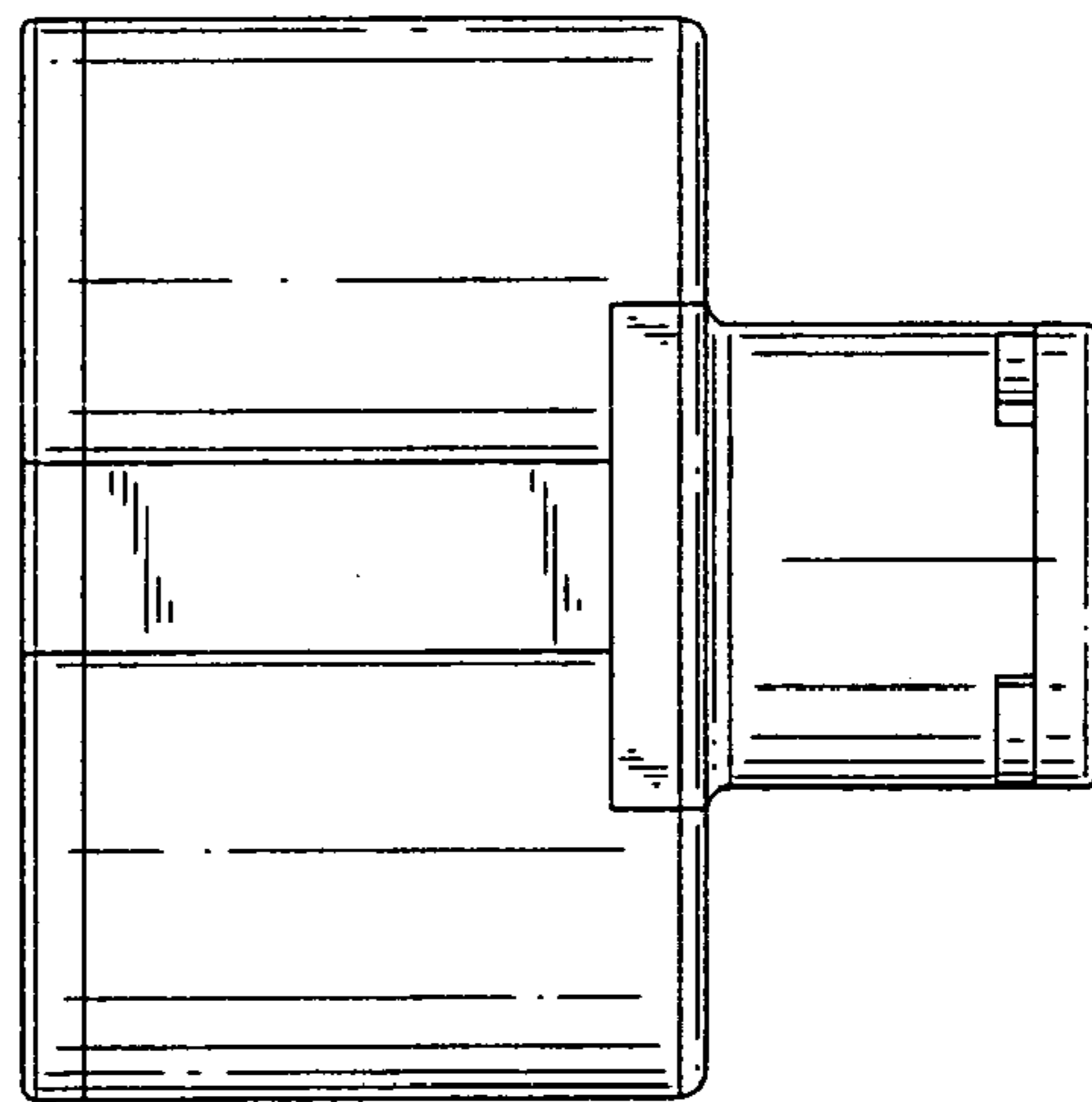
*FIG. 5*



*FIG. 6*



*FIG. 7*



*FIG. 8*