

US00D546762S

(12) **United States Design Patent**  
**Kovacs**

(10) **Patent No.:** **US D546,762 S**

(45) **Date of Patent:** **\*\* Jul. 17, 2007**

(54) **FOUR LUGGED LAMP SOCKET**

(75) Inventor: **George Kovacs**, Wallingford, CT (US)

(73) Assignee: **LightSources Inc.**, Orange, CT (US)

(\*\*) Term: **14 Years**

(21) Appl. No.: **29/266,650**

(22) Filed: **Sep. 25, 2006**

(51) **LOC (8) Cl.** ..... **13-03**

(52) **U.S. Cl.** ..... **D13/134**

(58) **Field of Classification Search** ..... D13/133-136,  
D13/154, 184, 199; D26/24, 113; 313/318.01,  
313/318.02, 318.03, 318.05, 318.12; 362/260,  
362/581; 439/168, 220, 226, 232, 280, 336,  
439/419, 602

See application file for complete search history.

(56) **References Cited**

**U.S. PATENT DOCUMENTS**

D348,249 S *	6/1994	Hester	.....	D13/134
5,577,929 A *	11/1996	Sawada	.....	439/336
D387,730 S *	12/1997	McCarthy	.....	D13/133
D519,455 S *	4/2006	Tufano et al.	.....	D13/134

2003/0189826 A1\* 10/2003 Yoon ..... 362/205  
2005/0237746 A1\* 10/2005 Yiu ..... 362/294

\* cited by examiner

*Primary Examiner*—Daniel Bui

(74) *Attorney, Agent, or Firm*—Cantor Colburn LLP

(57) **CLAIM**

The ornamental design for a four lugged lamp socket, as shown and described.

**DESCRIPTION**

FIG. 1 is a top, front and left side perspective view of a four lugged lamp socket, showing our new design;

FIG. 2 is a top, rear and right side perspective view thereof;

FIG. 3 is a front elevation view thereof;

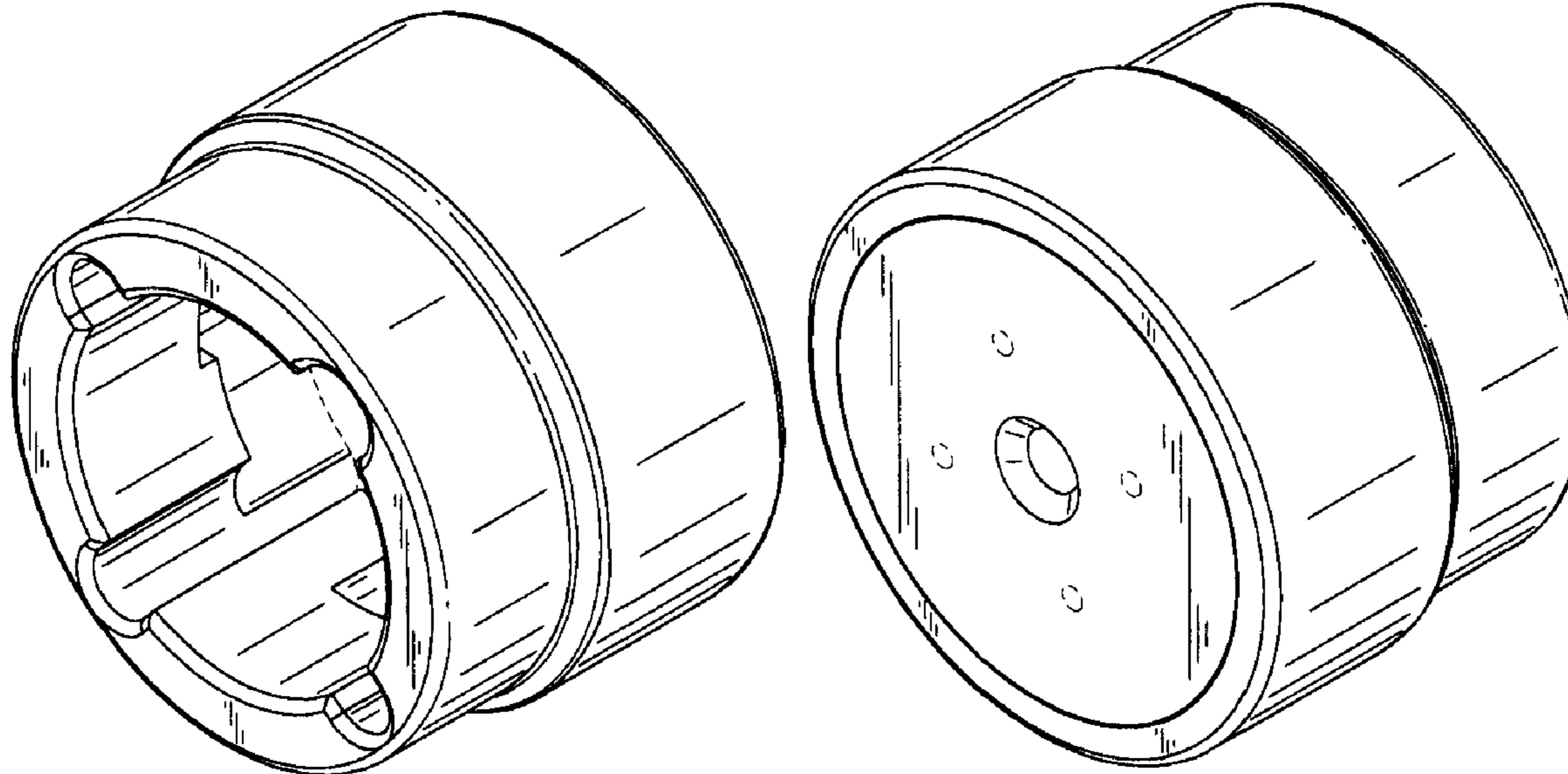
FIG. 4 is a rear elevation view thereof;

FIG. 5 is a left side elevation view thereof; and,

FIG. 6 is a right side elevation view thereof.

The broken line showing of the environment is for illustrative purposes only and forms no part of the claimed design.

**1 Claim, 1 Drawing Sheet**



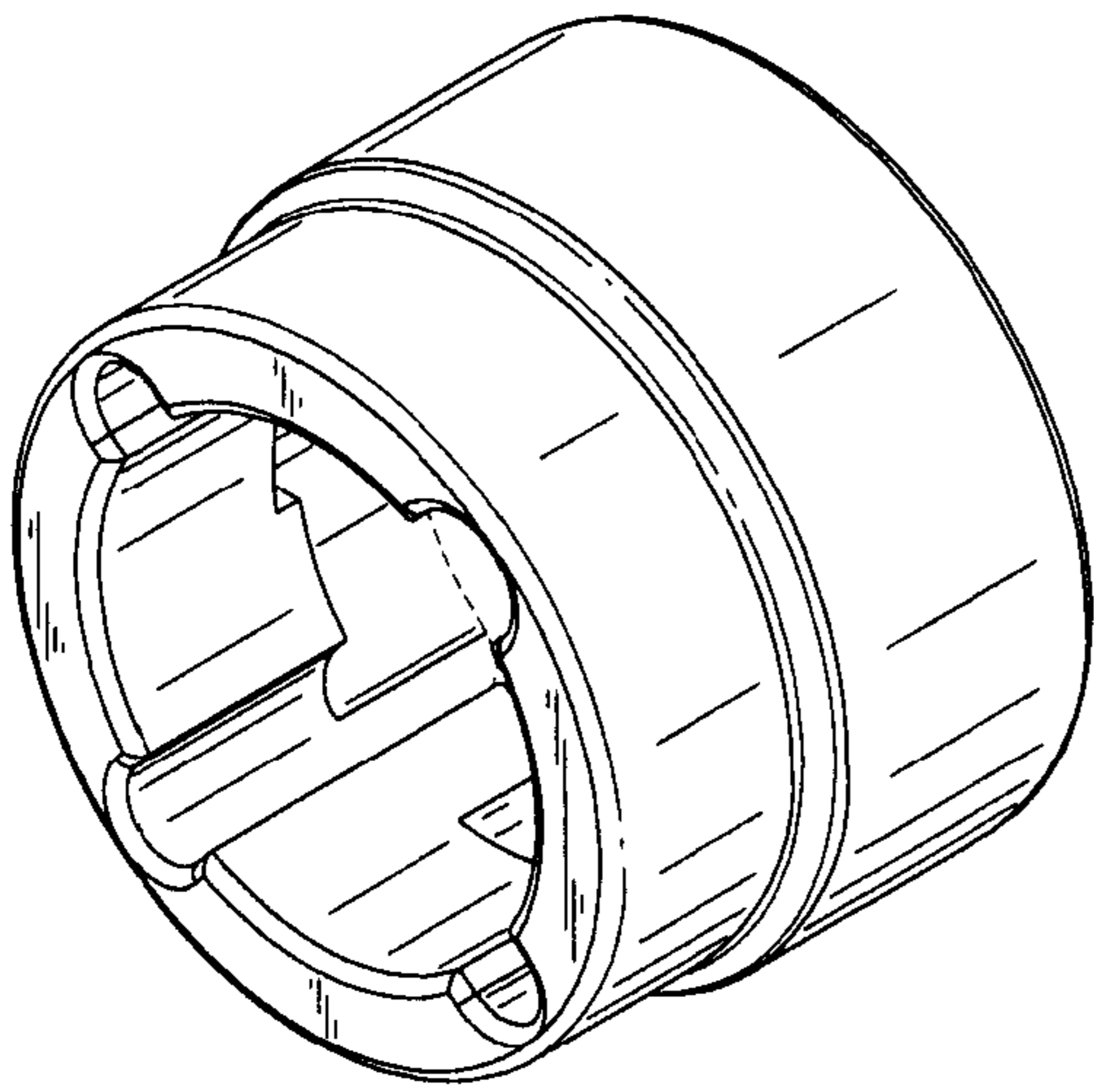


FIG. 1

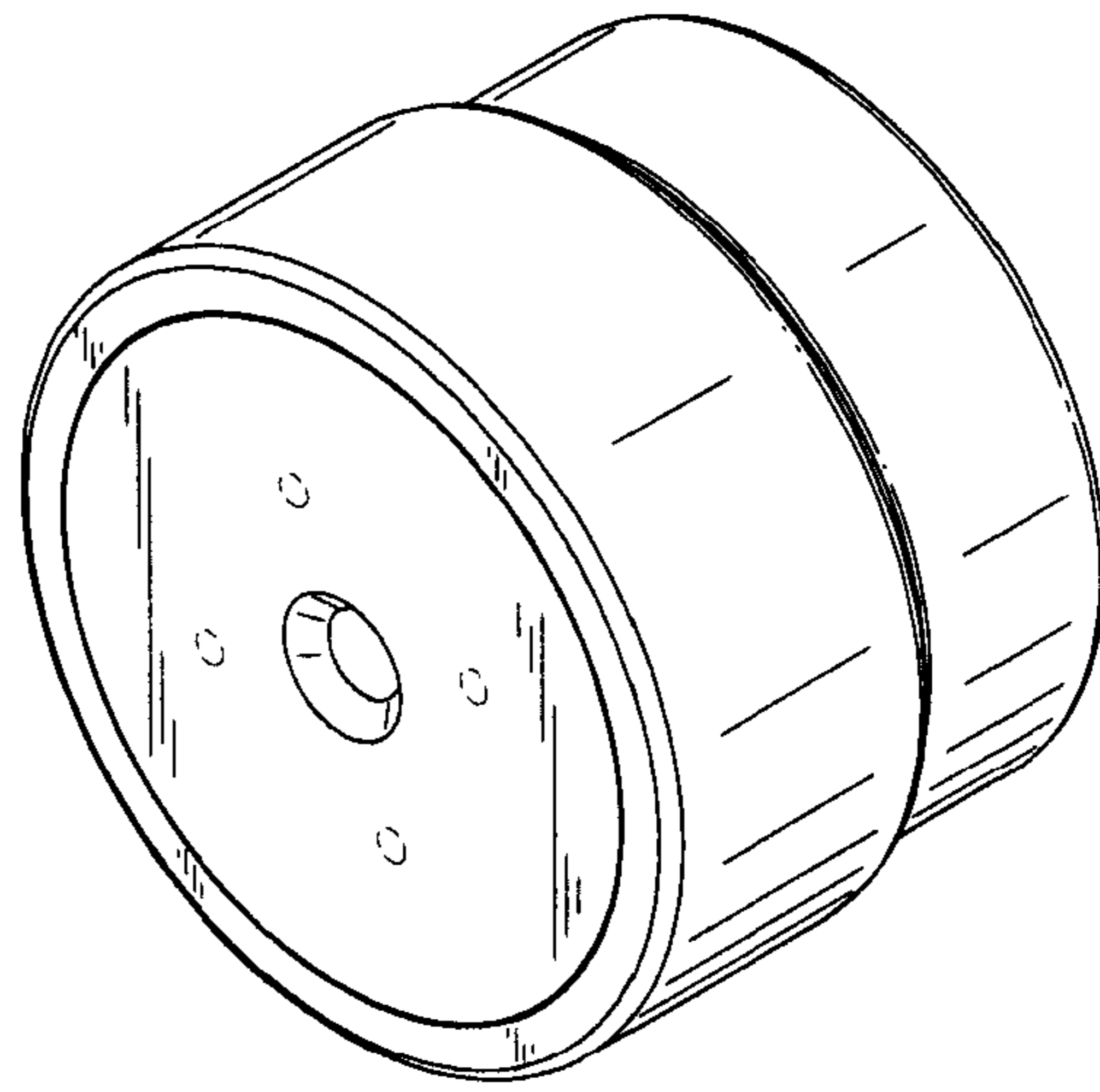


FIG. 2

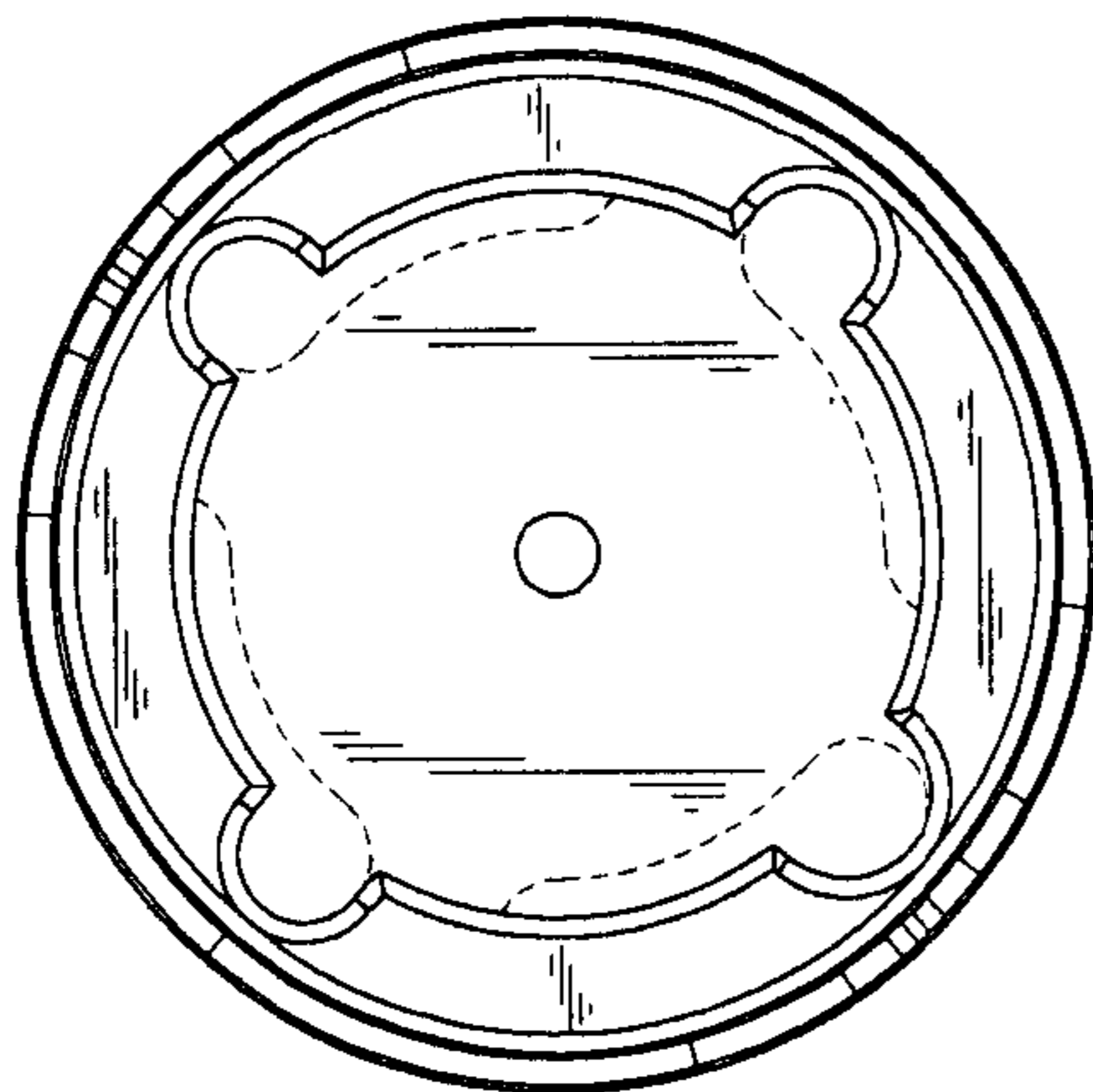


FIG. 3

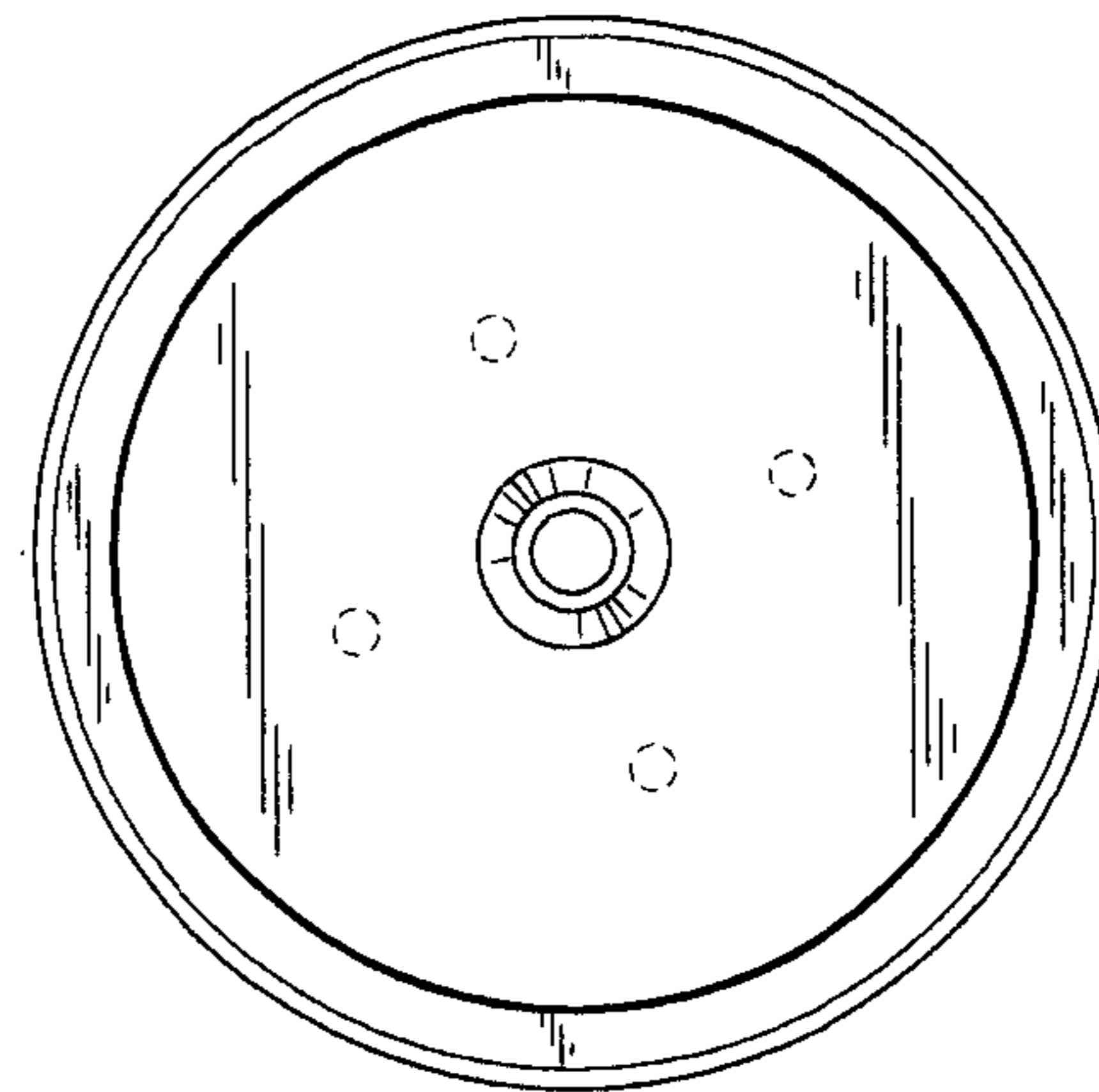


FIG. 4

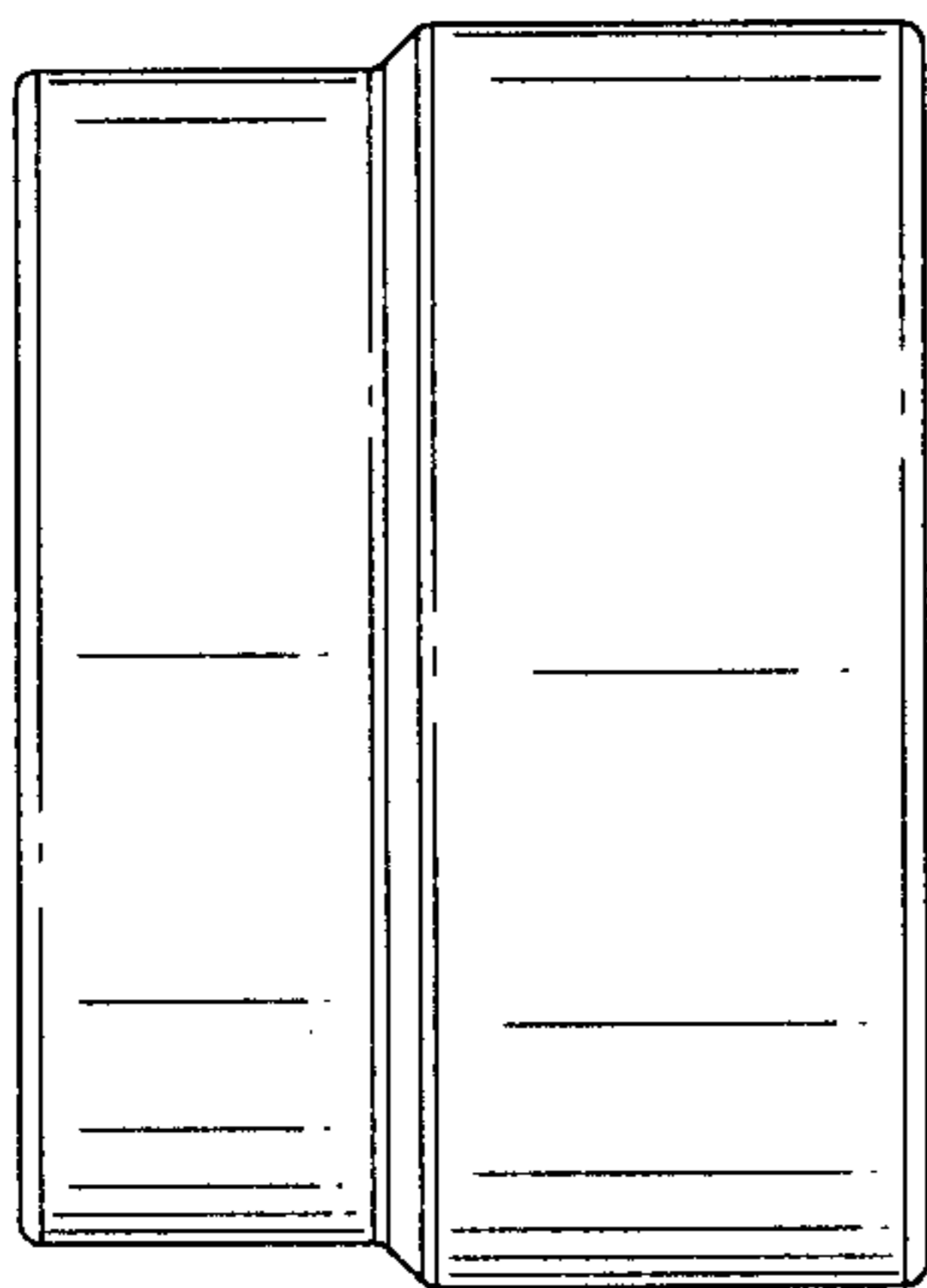


FIG. 5

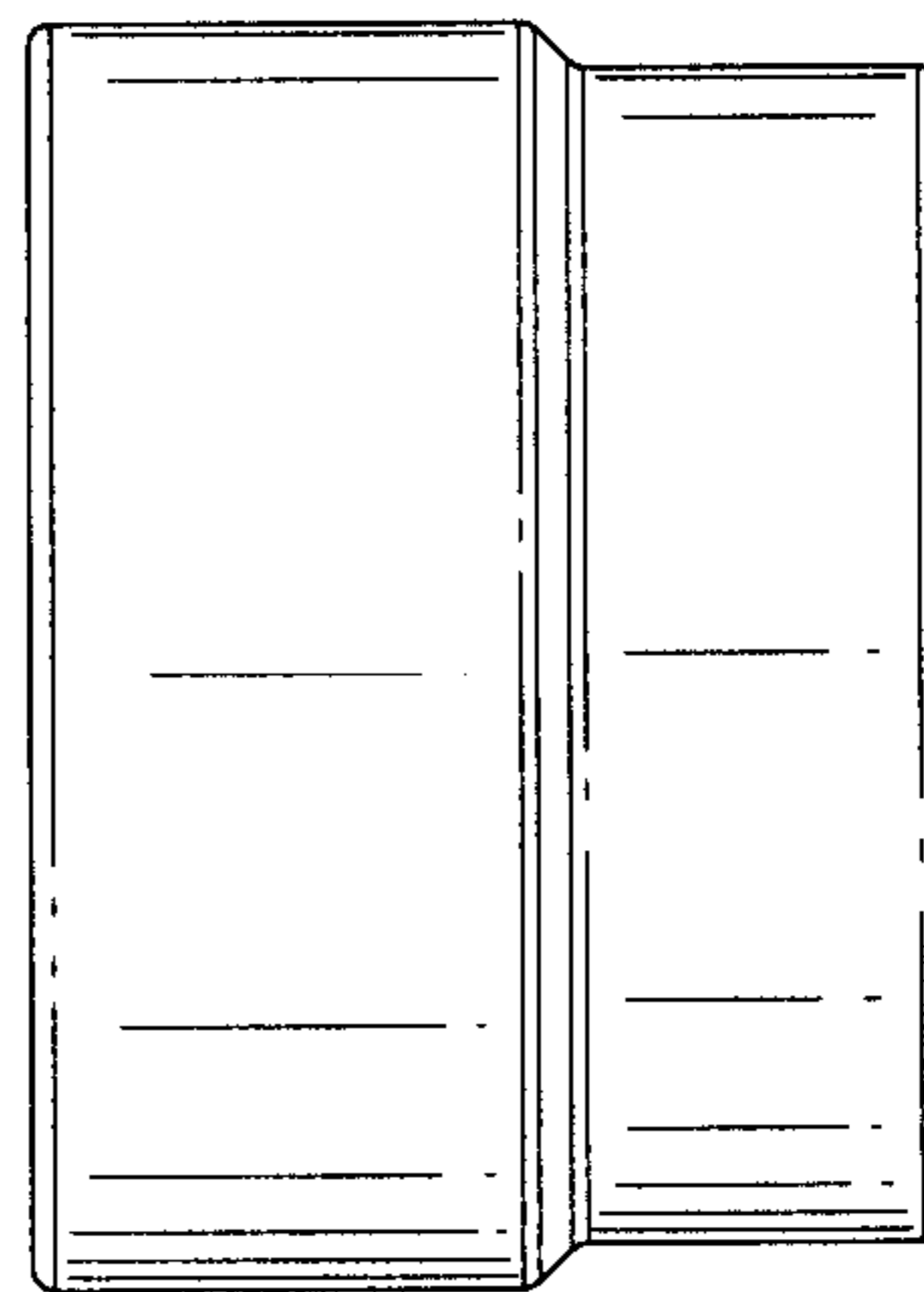


FIG. 6