



US00D546761S

(12) **United States Design Patent**
Schnackenberg

(10) **Patent No.:** **US D546,761 S**

(45) **Date of Patent:** **** Jul. 17, 2007**

(54) **HOUSING FOR A PARALLEL CONNECTION KIT FOR POWER GENERATOR**

(75) Inventor: **Paul Schnackenberg**, Cumming, GA (US)

(73) Assignee: **Gen-Tran Corporation**, Roswell, GA (US)

(**) Term: **14 Years**

(21) Appl. No.: **29/215,279**

(22) Filed: **Oct. 15, 2004**

(51) **LOC (8) Cl.** **13-01**

(52) **U.S. Cl.** **D13/122**

(58) **Field of Classification Search** D13/122, D13/11, 101, 110, 123, 184, 199; 174/72 A; 361/334, 730, 836

See application file for complete search history.

(56) **References Cited**

U.S. PATENT DOCUMENTS

| | | | | | |
|-------------|---|---------|-----------------|-------|----------|
| D210,731 S | * | 4/1968 | Siegel | | D13/110 |
| 4,798,082 A | * | 1/1989 | Fujikawa et al. | | 73/117.3 |
| 4,835,405 A | * | 5/1989 | Clancey et al. | | 290/1 A |
| D341,124 S | * | 11/1993 | Krokaugger | | D13/123 |
| D341,814 S | * | 11/1993 | Krokaugger | | D13/123 |
| D344,067 S | * | 2/1994 | Krokaugger | | D13/162 |
| D414,460 S | * | 9/1999 | Hughes | | D13/110 |

OTHER PUBLICATIONS

Gen-Tran Corporation Brochure, published at least as early as Oct. 15, 2003, showing a parallel connection kit which is hung by a hook on the carrying handle of a generat.

Packaging for a parallel power kit, sold by Reliance Controls, Inc., at least as early as Oct. 14, 2004, showing a flexible fabric strap affixed to the carrying handle of a generator, for supporting the wiring box for the parallel connection kit.

Photo of a simple wiring—only parallel connection kit, without a central housing, offered for sale by Southwest Supply Co., at least as early as Oct. 14, 2004.

Photo from an eBay listing, of a sample wiring—only parallel connection kit, without a central housing, offered for sale by Big Sky Power Equipment Sales, at least as early as Oct. 14, 2004.

Printout from website for Tele-Lite, showing a bracket for mounting a light directly to a generator, showing a bracket as used in an embodiment of the present invention. This bracket was on sale at least as early as Oct. 14, 2004.

* cited by examiner

Primary Examiner—Prabhakar Deshmukh

Assistant Examiner—Derrick Holland

(74) *Attorney, Agent, or Firm*—Greenberg Traurig LLP

(57) **CLAIM**

The ornamental design for a housing for a parallel connection kit for power generator, as shown and described.

DESCRIPTION

FIG. 1 is a front, top perspective view of the housing for a parallel connection kit for power generator, showing my new design.

FIG. 2 is a left side perspective view thereof.

FIG. 3 is a right side perspective view thereof.

FIG. 4 is a front elevation thereof.

FIG. 5 is a rear elevation thereof.

FIG. 6 is a top plan view thereof.

FIG. 7 is a bottom view thereof.

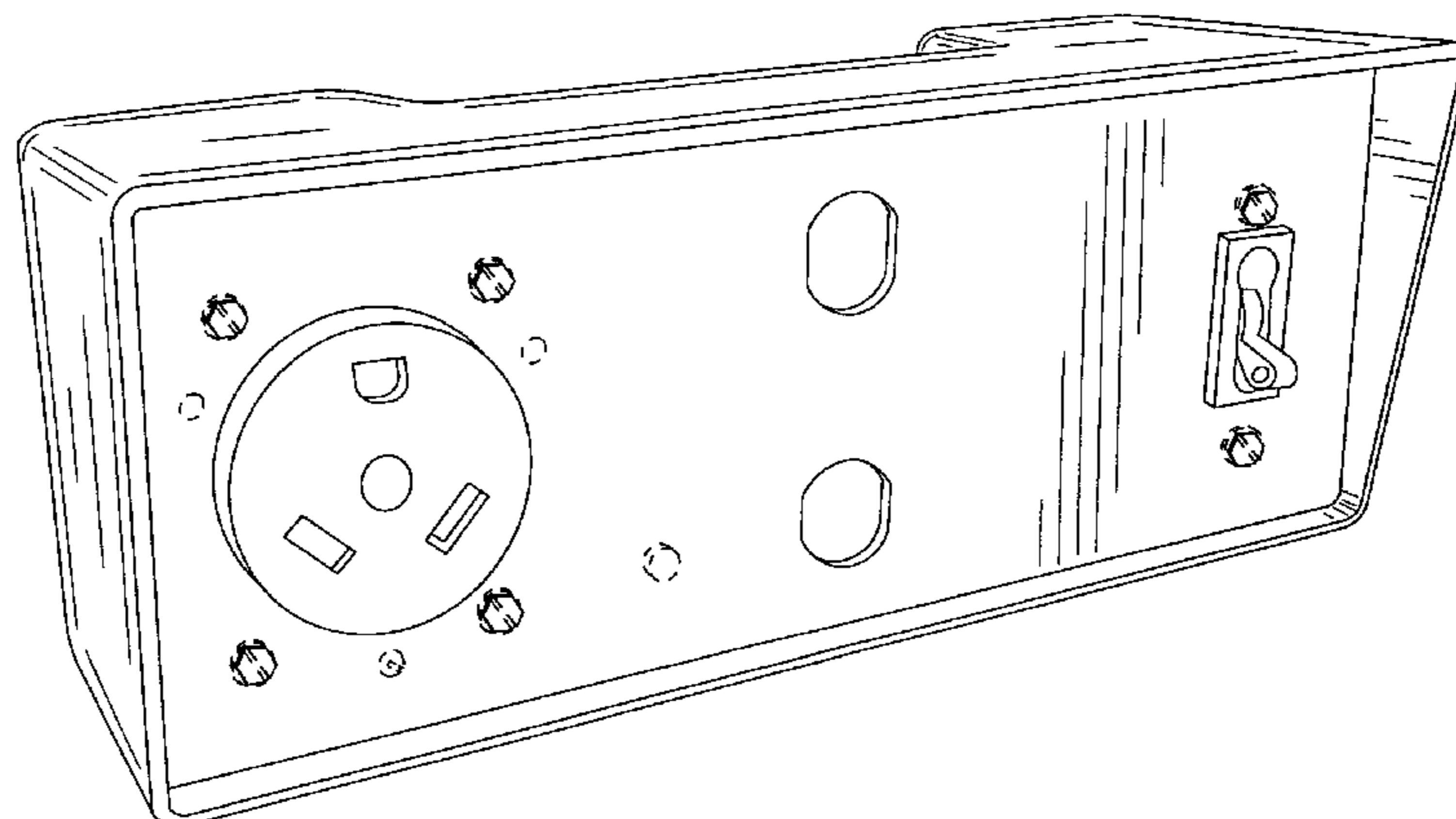
FIG. 8 is a left side elevation thereof; and,

FIG. 9 is a right side elevation thereof.

The color and surface texture are not presently part of the claimed design. Any indicia, text or numerals are shown by way of example, and are not part of the claimed design. Any fasteners or fastener apertures are not part of the claimed design. The rectangular areas bearing indicia, on the front face and top of the housing for a parallel connection kit for power generator, are adhesive stickers applied to the surface, do not comprise part of the claimed design, and the surfaces underneath are of the same character as the surfaces immediately surrounding the rectangular areas bearing indicia.

The broken lines shown are for illustrative purposes only and form no part of the claimed design.

1 Claim, 8 Drawing Sheets



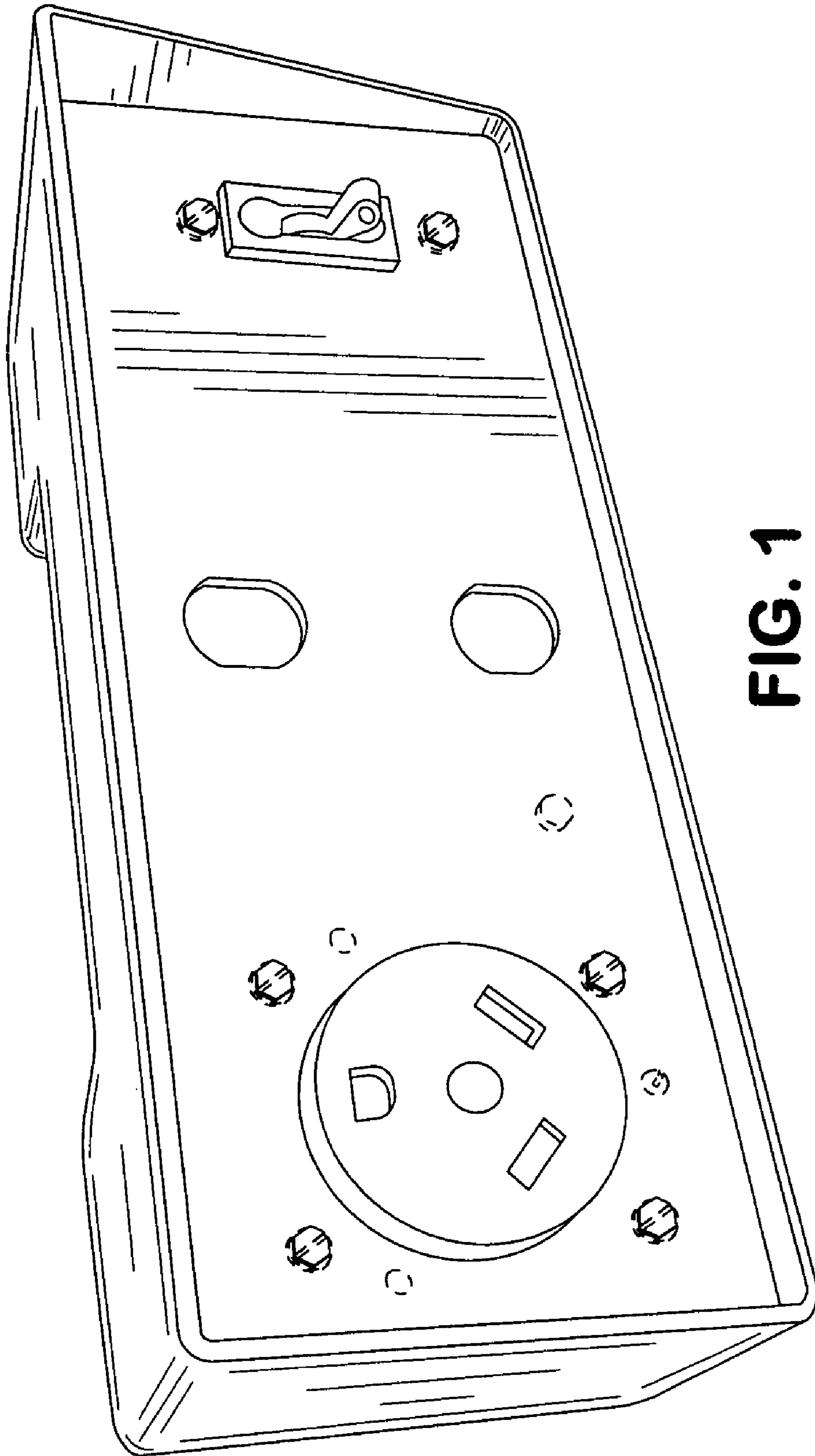


FIG. 1

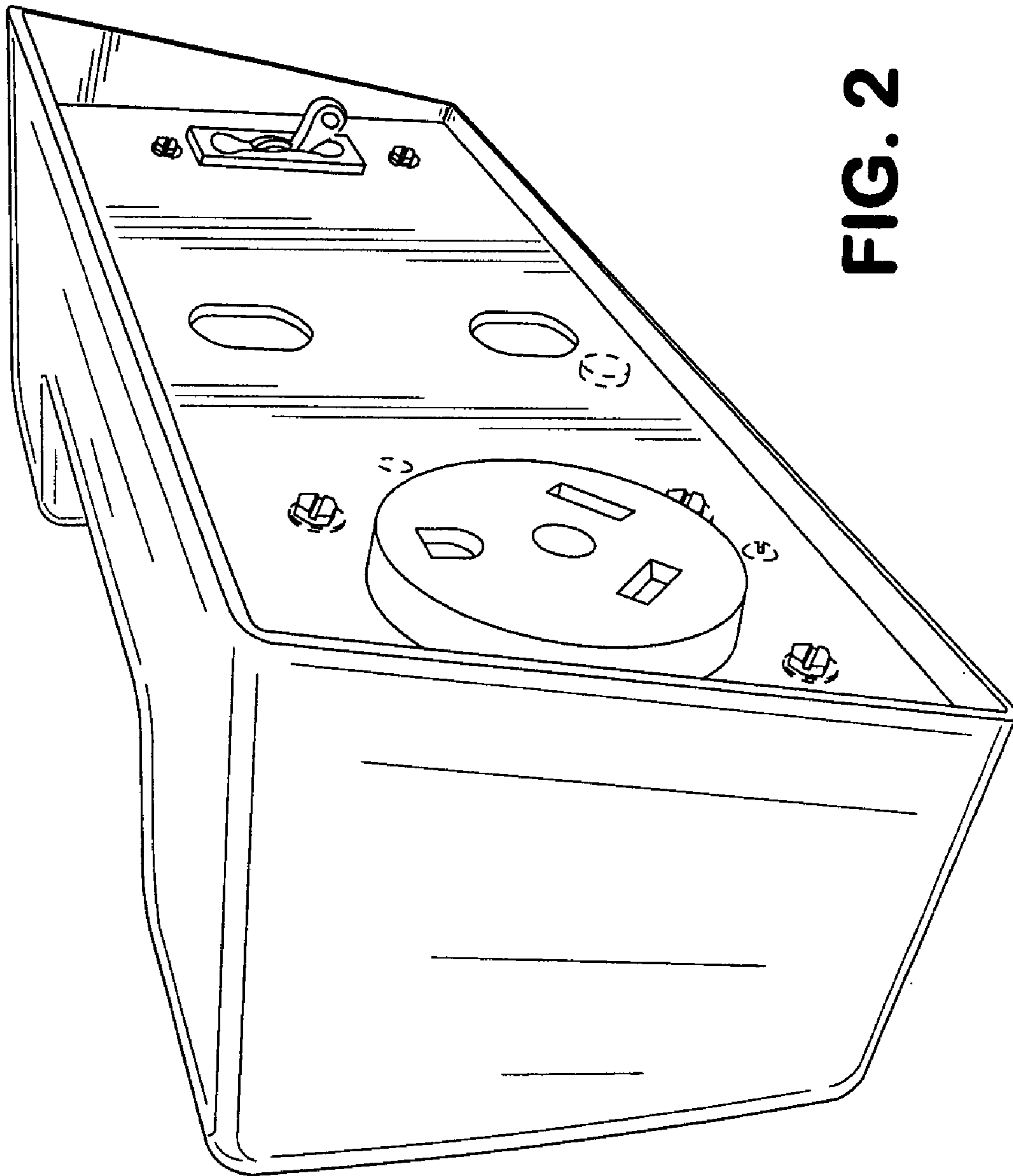


FIG. 2

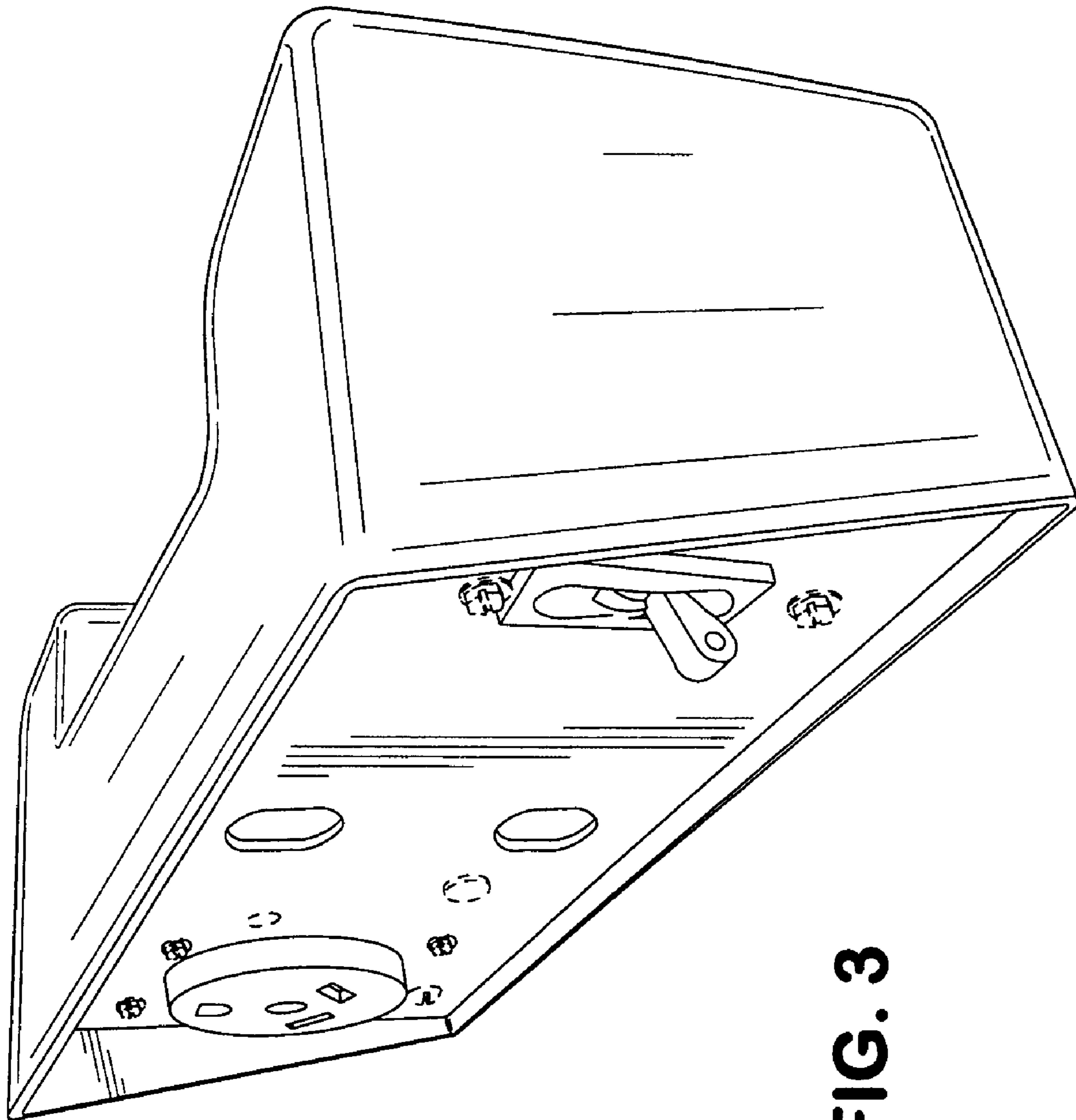


FIG. 3

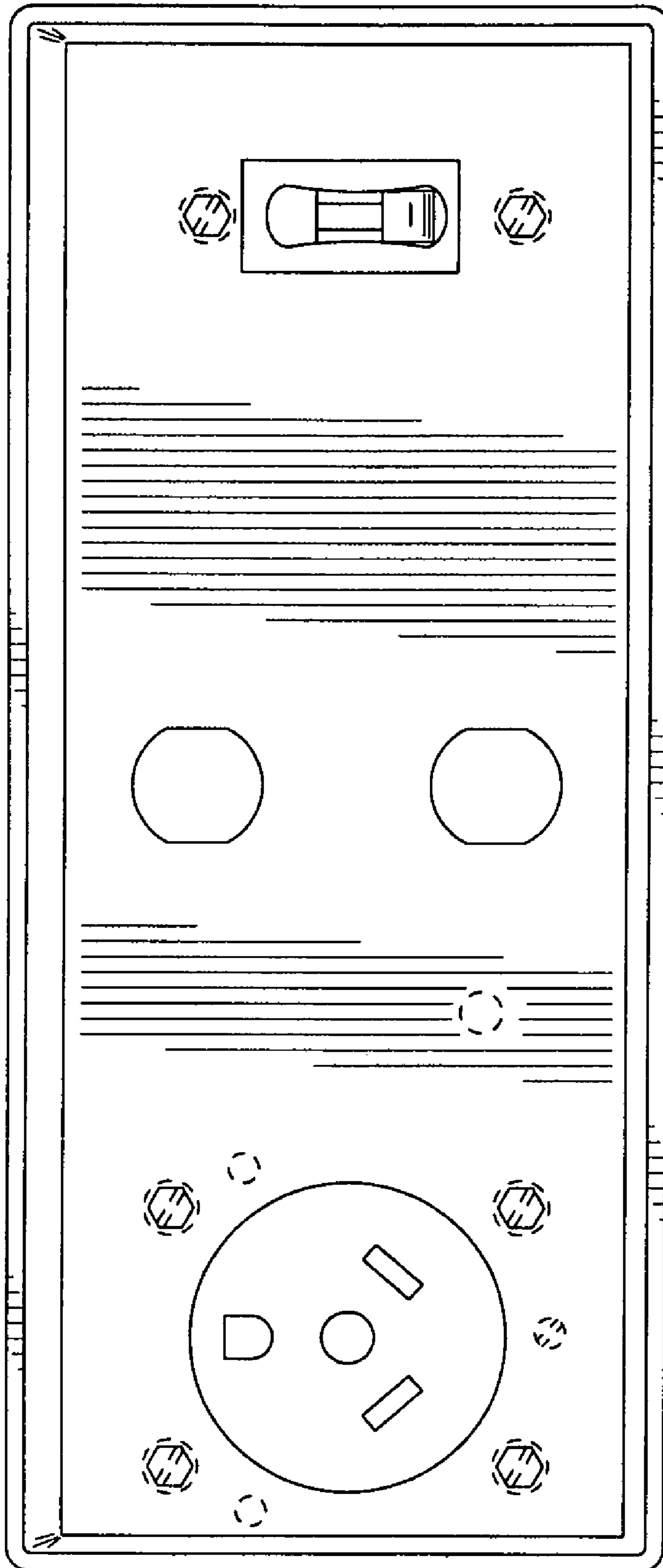


FIG. 4

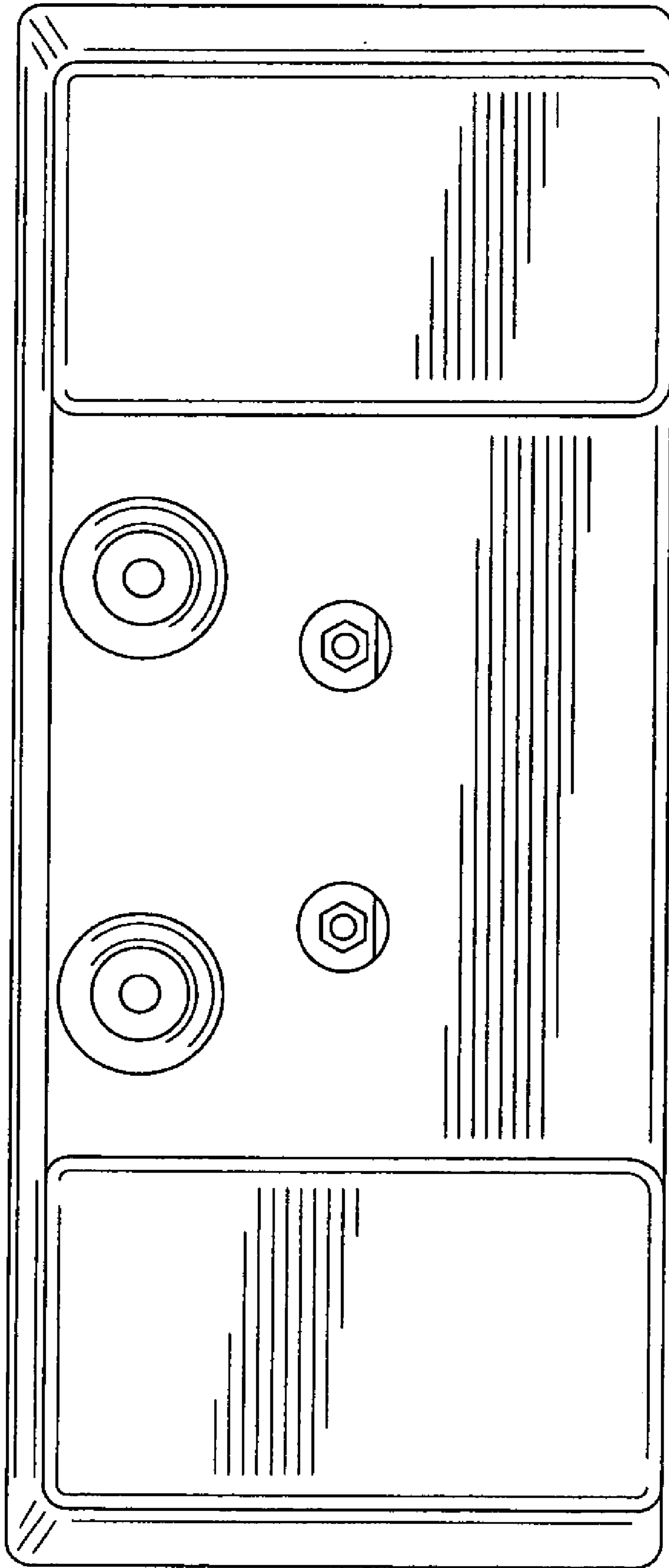


FIG. 5

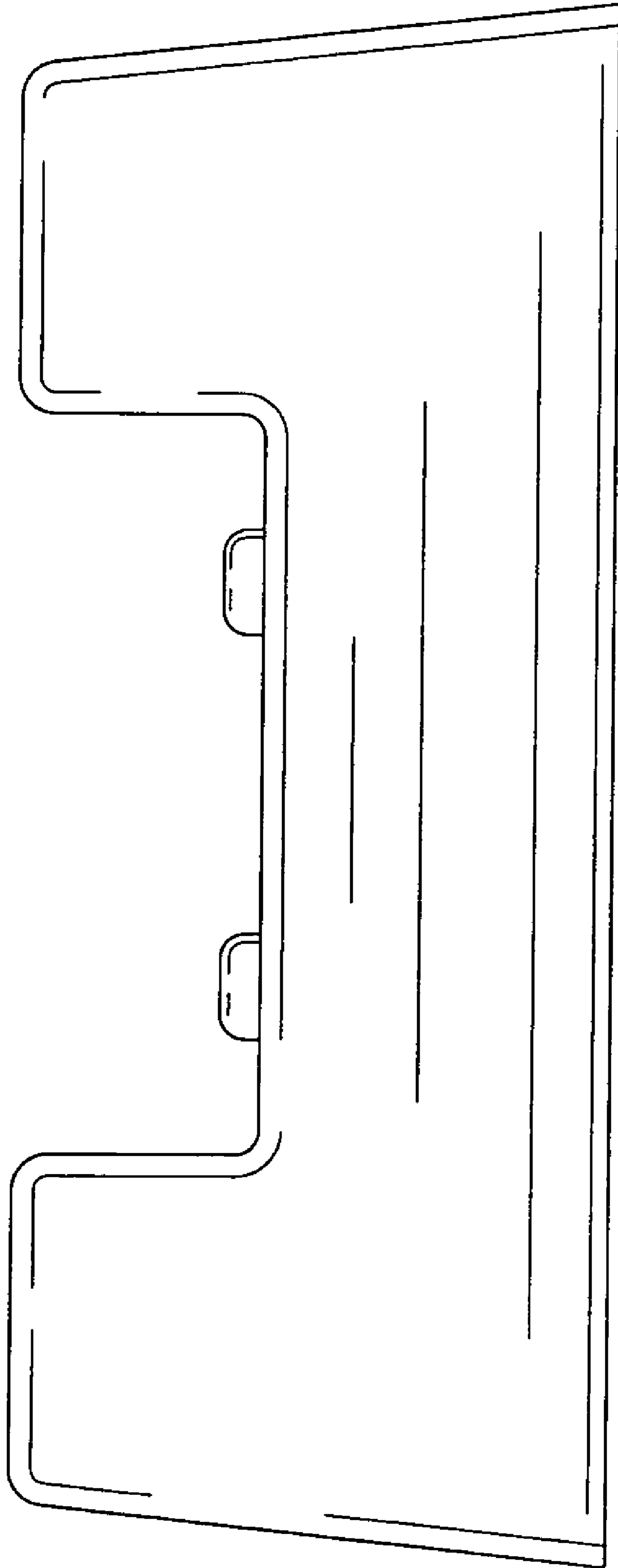


FIG. 6

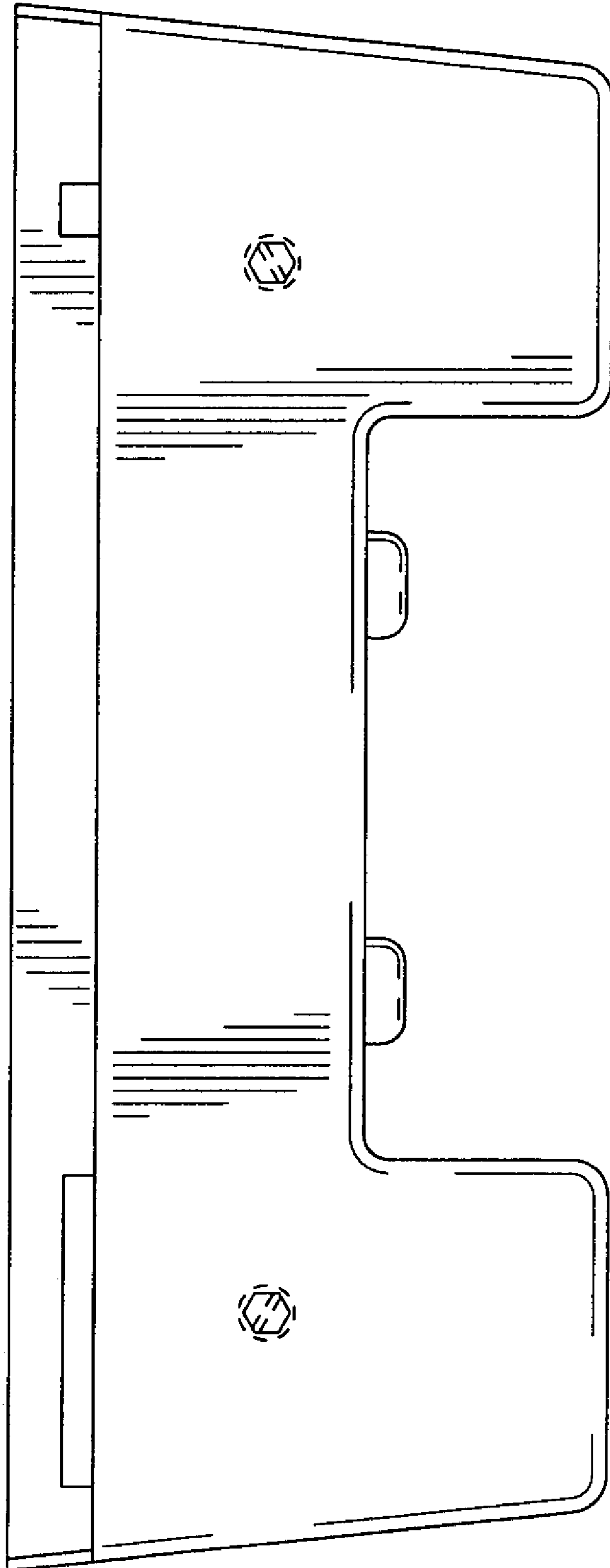


FIG. 7

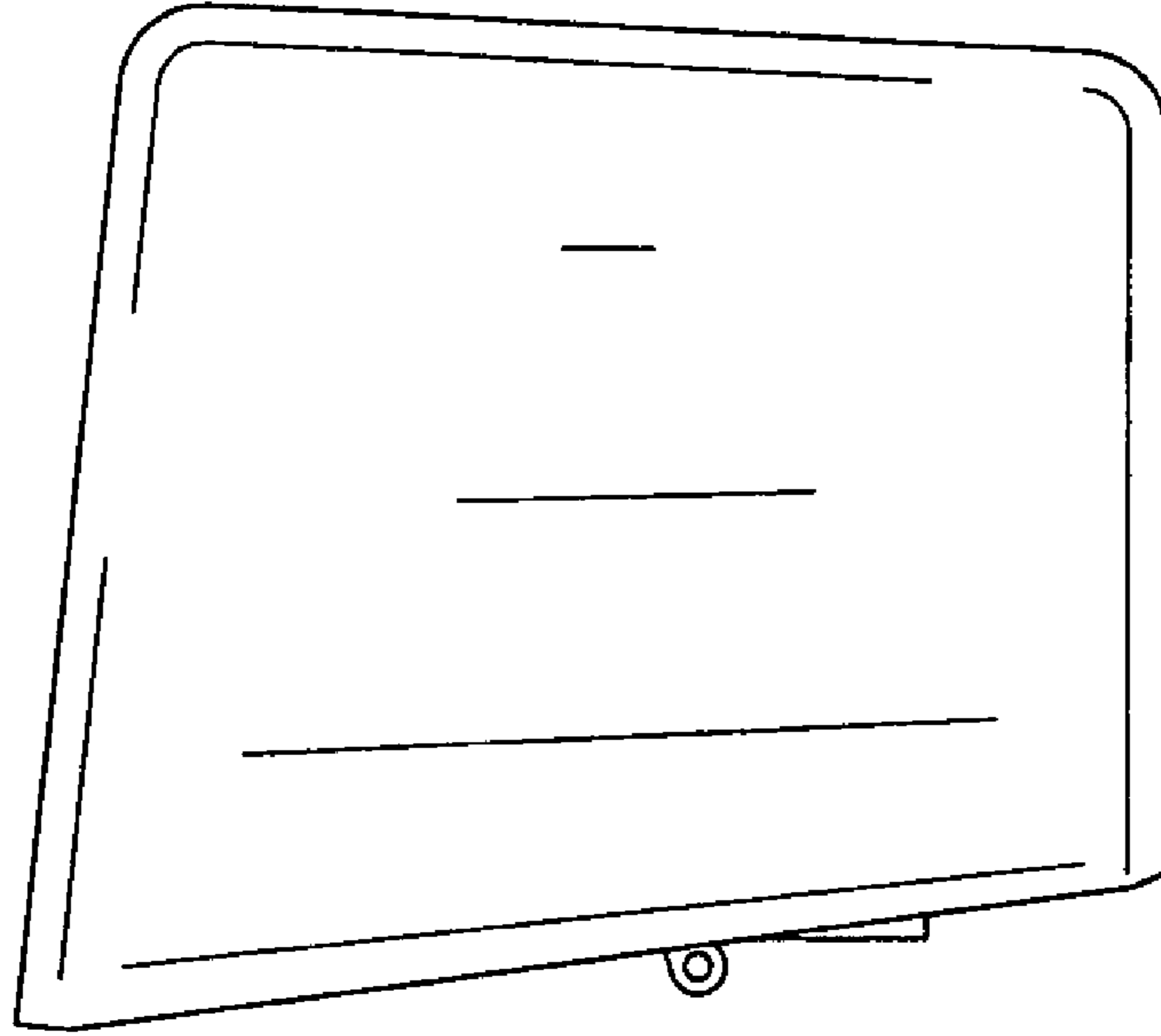


FIG. 9

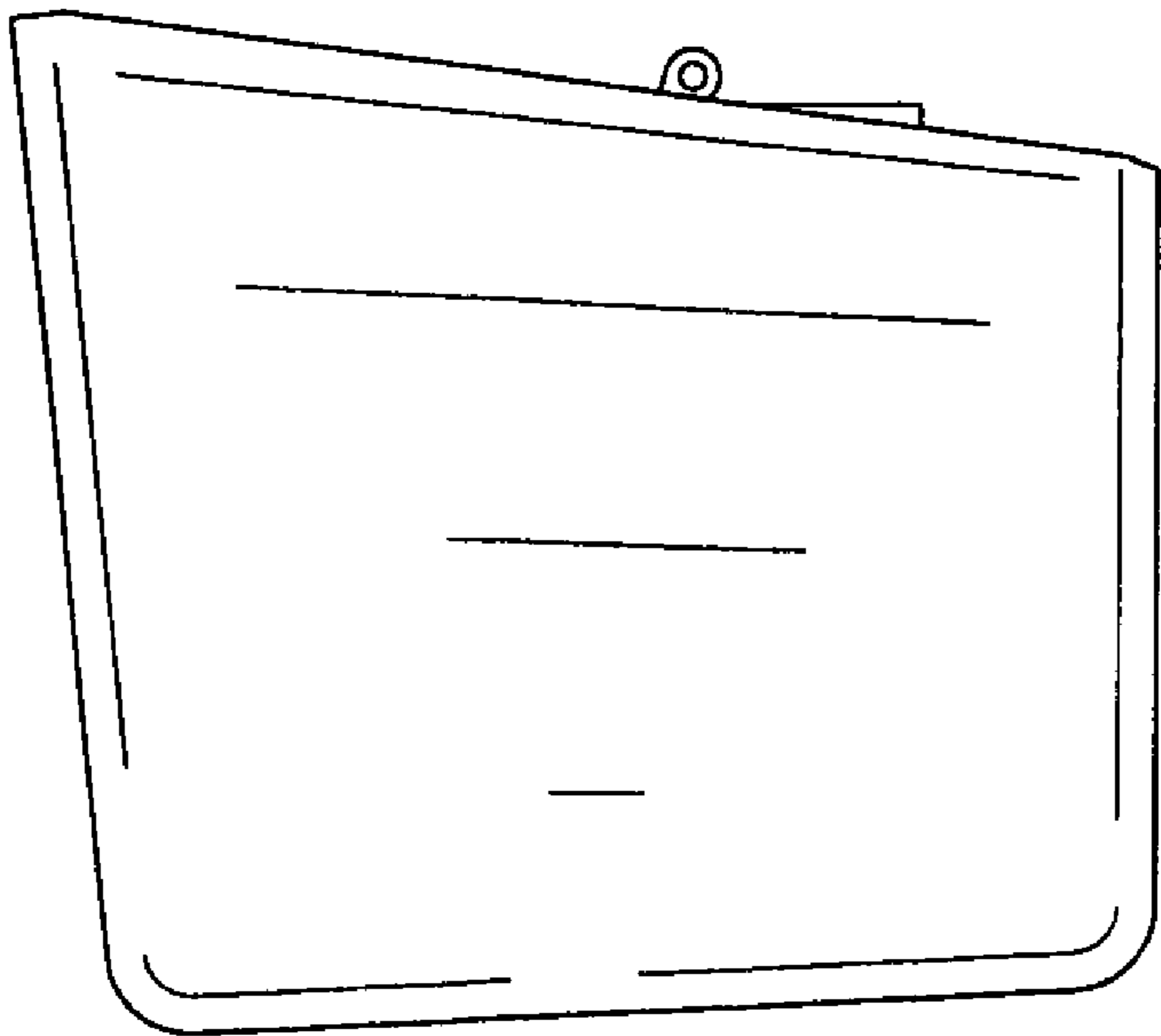


FIG. 8