

US00D546760S

(12) **United States Design Patent**
Aguilar

(10) **Patent No.:** **US D546,760 S**

(45) **Date of Patent:** **** Jul. 17, 2007**

(54) **CRADLE FOR AN ELECTRONIC DEVICE**

D525,935 S * 8/2006 Hussaini et al. D13/108

(75) Inventor: **Antonio Aguilar**, Redondo Beach, CA
(US)

* cited by examiner

(73) Assignee: **Alpine Electronics, Inc.**, Iwaki (JP)

Primary Examiner—M. H. Tung

Assistant Examiner—Rosemary K. Tarcza

(74) *Attorney, Agent, or Firm*—Eric J. Aagaard

(**) Term: **14 Years**

(21) Appl. No.: **29/269,728**

(57) **CLAIM**

(22) Filed: **Dec. 6, 2006**

I claim the ornamental design for a cradle for an electronic device, as shown and described.

(51) **LOC (8) Cl.** **13-02**

(52) **U.S. Cl.** **D13/108**

(58) **Field of Classification Search** D13/107–110,
D13/118–119, 184; D14/251, 253, 432,
D14/434; 320/107–115

See application file for complete search history.

DESCRIPTION

(56) **References Cited**

U.S. PATENT DOCUMENTS

D376,585 S *	12/1996	Wathen et al.	D14/434
D384,044 S *	9/1997	Tanimura	D14/434
5,689,413 A *	11/1997	Jaramillo et al.	363/146
D414,459 S *	9/1999	Oba	D13/107
D477,604 S *	7/2003	Lin	D14/434
D487,897 S *	3/2004	Huang et al.	D14/434
D504,893 S *	5/2005	Araki	D14/434
D508,459 S *	8/2005	Yoshida	D13/108
D511,520 S *	11/2005	Hussaini et al.	D14/434
D521,928 S *	5/2006	Shimizu	D13/108
D524,244 S *	7/2006	Hussaini et al.	D13/108
D524,729 S *	7/2006	Hussaini et al.	D13/108

FIG. 1 is a front elevational view of a cradle for an electronic device;

FIG. 2 is a top plan view of the cradle for an electronic device;

FIG. 3 is a left side plan view of the cradle for an electronic device;

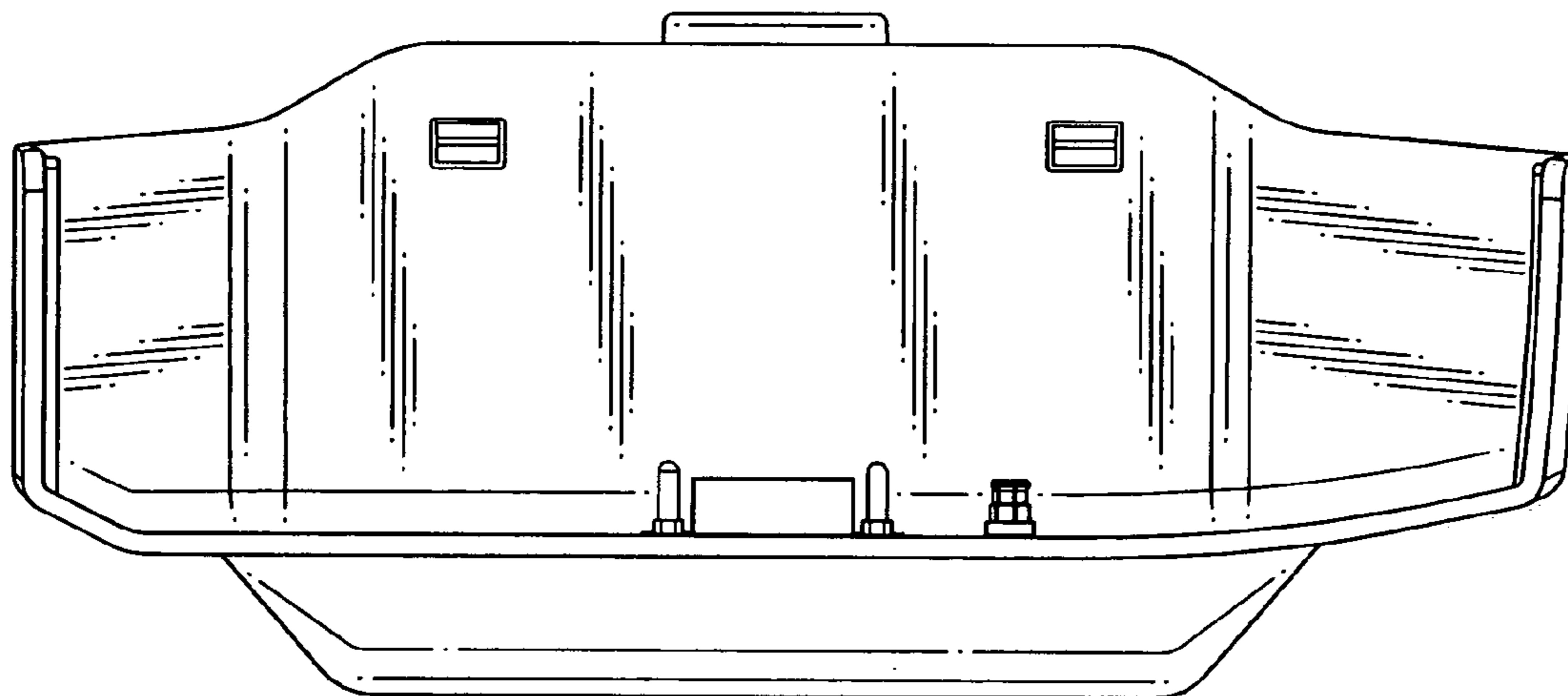
FIG. 4 is a right side plan view of the cradle for an electronic device;

FIG. 5 is a bottom plan view of the cradle for an electronic device; and,

FIG. 6 is a rear elevational view of the cradle for an electronic device.

The broken line showing is included for the purpose of illustrating environment and forms no part of the claimed design.

1 Claim, 3 Drawing Sheets



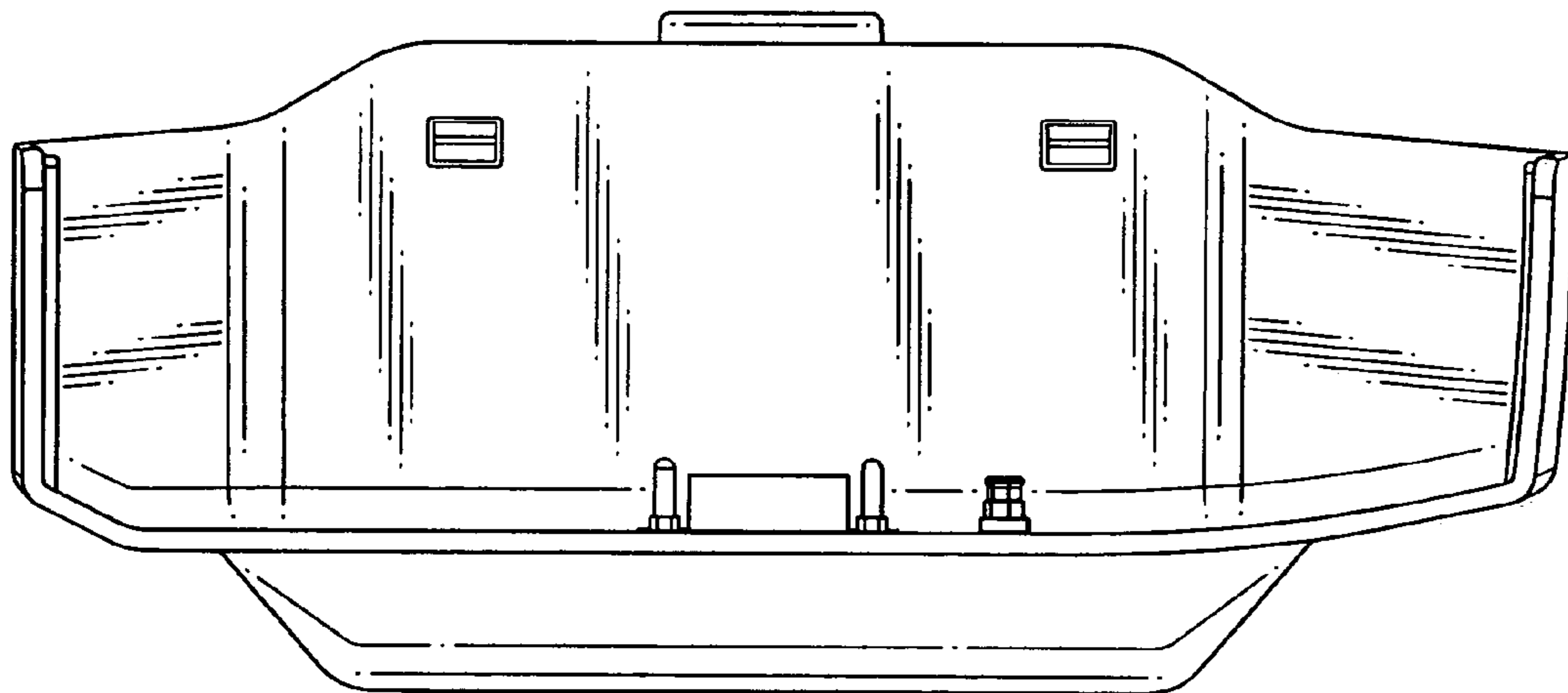


FIG. 1

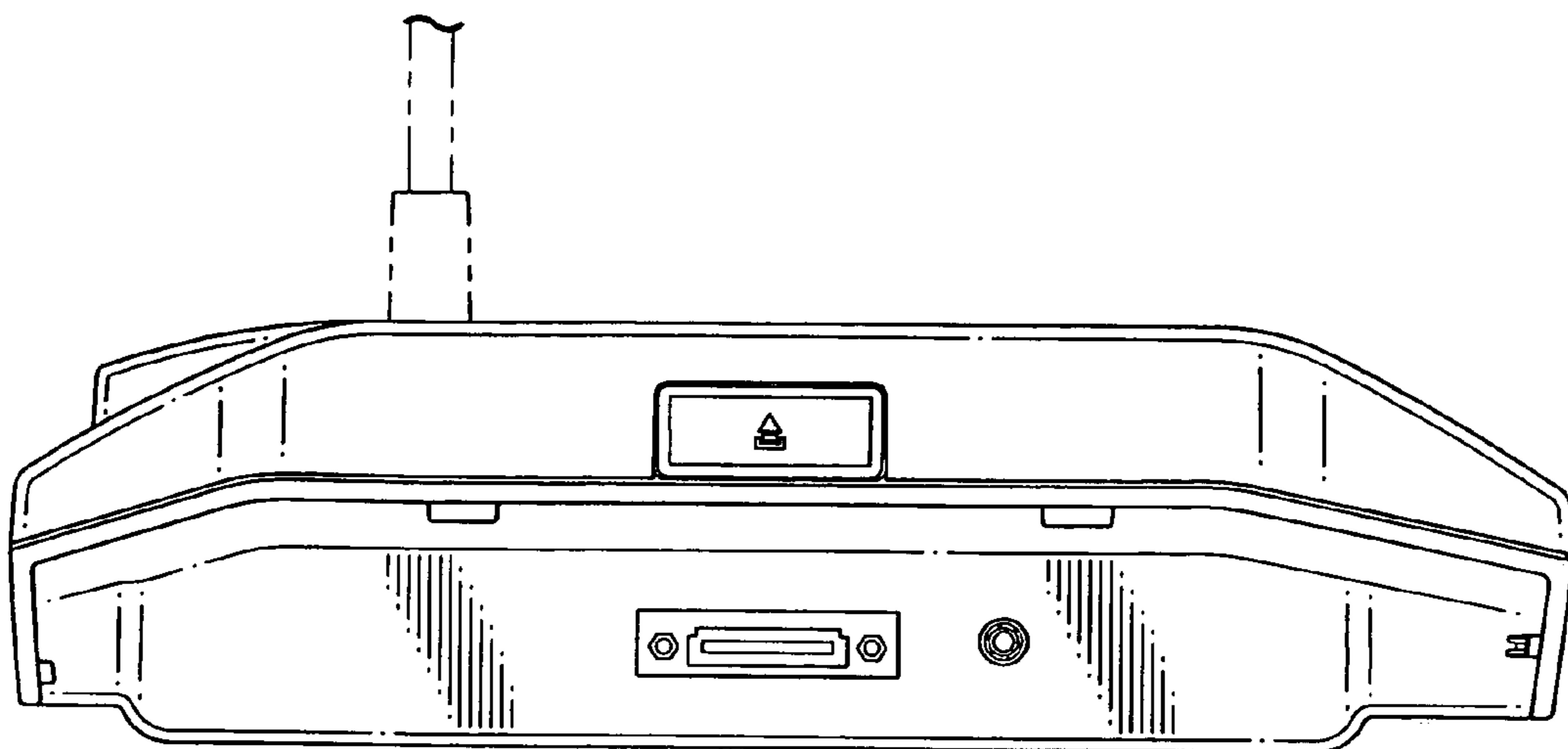


FIG. 2

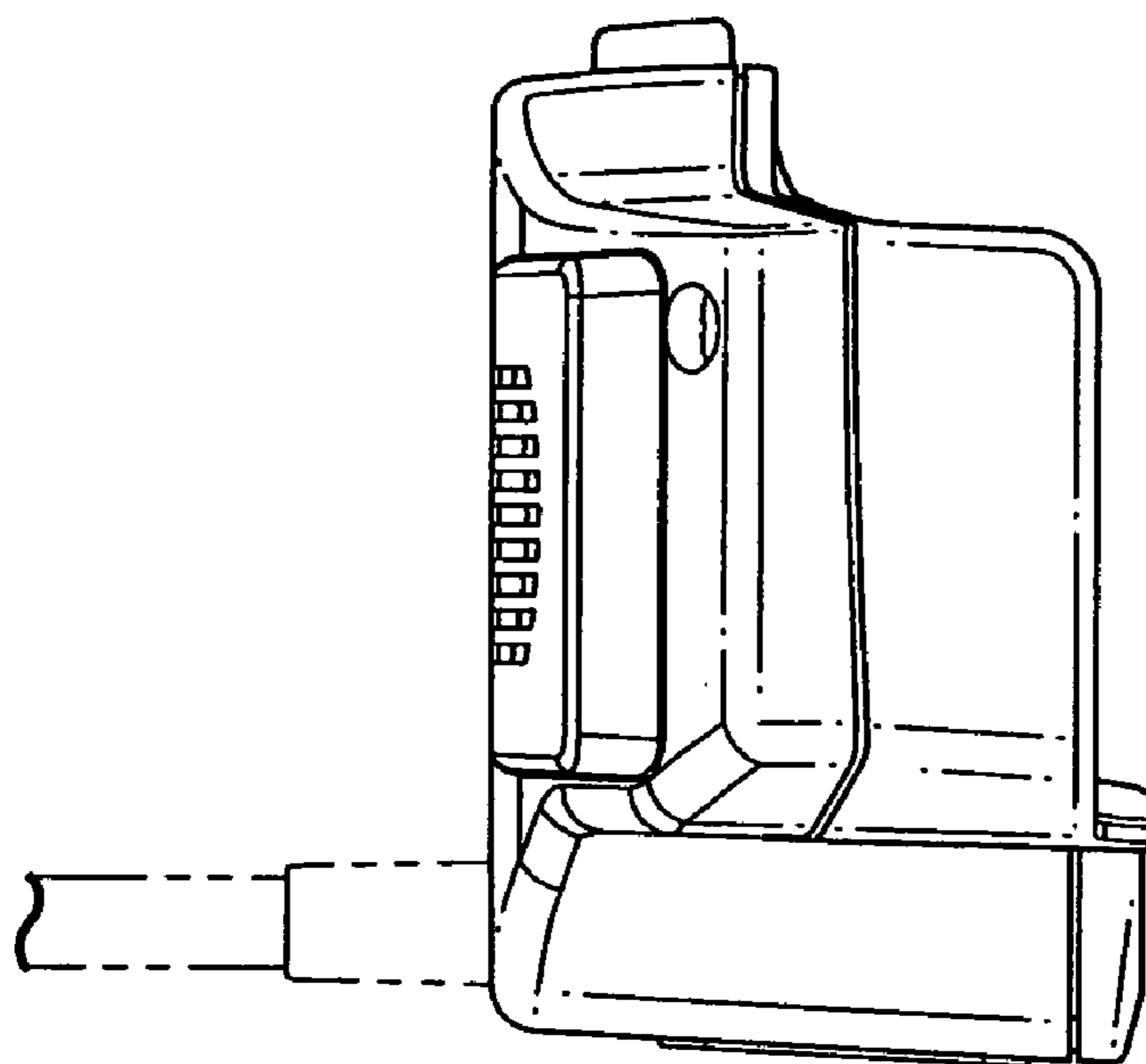


FIG. 3

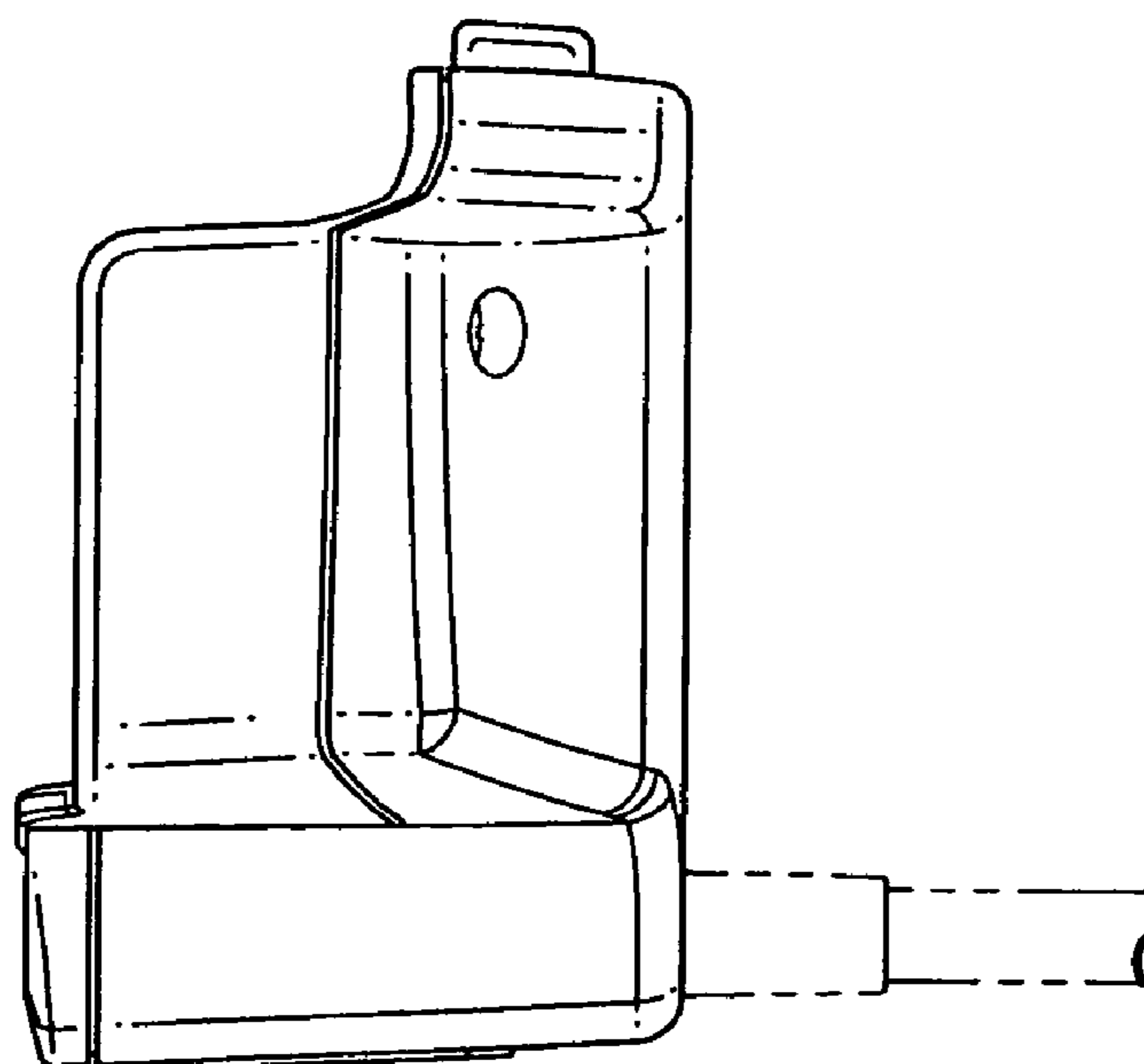


FIG. 4

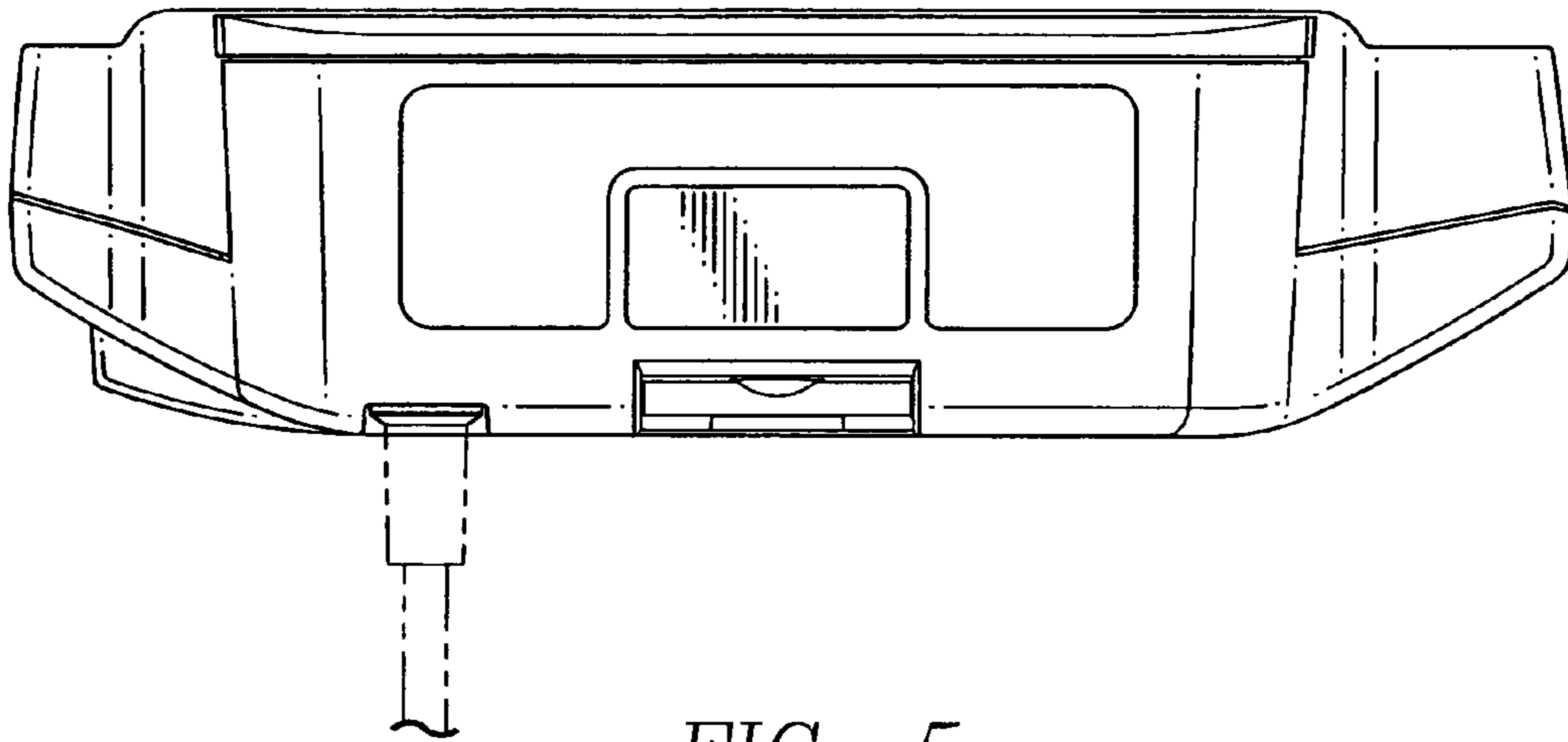


FIG. 5

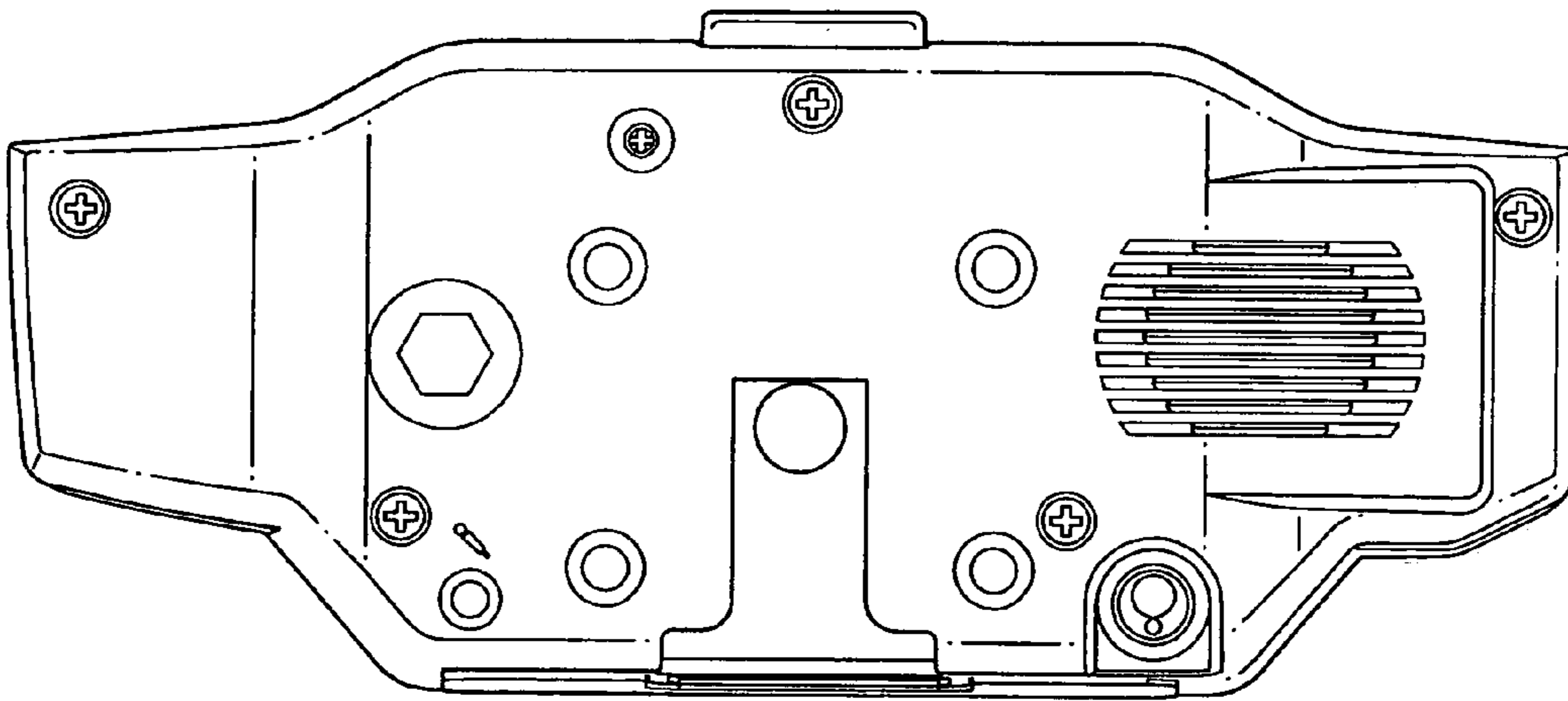


FIG. 6