

US00D546758S

(12) **United States Design Patent**  
**Tse**

(10) **Patent No.:** **US D546,758 S**

(45) **Date of Patent:** **\*\* Jul. 17, 2007**

(54) **BATTERY PACK FOR USE WITH  
HANDHELD ELECTRONIC GAME DEVICE**

(75) Inventor: **Po Ling Tse**, Kowloon (CN)

(73) Assignee: **Storm Electronics Company Limited**,  
Kowloon, Hong Kong (CN)

(\*\*) Term: **14 Years**

(21) Appl. No.: **29/265,874**

(22) Filed: **Sep. 11, 2006**

(30) **Foreign Application Priority Data**

Mar. 14, 2006 (HK) ..... 0600611.2

(51) **LOC (8) Cl.** ..... **13-02**

(52) **U.S. Cl.** ..... **D13/103**

(58) **Field of Classification Search** ..... D13/102-106,  
D13/110, 118-119, 184; 429/96-100, 163,  
429/176

See application file for complete search history.

(56) **References Cited**

**U.S. PATENT DOCUMENTS**

- D303,524 S \* 9/1989 Siegner et al. .... D14/438
- D381,954 S \* 8/1997 Tashiro ..... D13/103
- D398,579 S \* 9/1998 Chaco ..... D13/119
- D424,512 S \* 5/2000 Ho ..... D13/103

- D439,218 S \* 3/2001 Yu ..... D13/103
- D446,497 S \* 8/2001 Yu ..... D13/103
- D476,292 S \* 6/2003 Lee ..... D13/103
- D503,674 S \* 4/2005 Huey ..... D13/103
- D517,476 S \* 3/2006 Green ..... D13/103
- D525,581 S \* 7/2006 Rad et al. .... D13/103

\* cited by examiner

*Primary Examiner*—Alan P. Douglas

*Assistant Examiner*—Rosemary K. Tarcza

(74) *Attorney, Agent, or Firm*—Alix, Yale & Ristas, LLP

(57) **CLAIM**

The ornamental design for a battery pack for use with handheld electronic game device, as shown and described.

**DESCRIPTION**

FIG. 1 is a front elevational view of a battery pack for use with handheld electronic game device showing my new design;

FIG. 2 is a top plan view thereof;

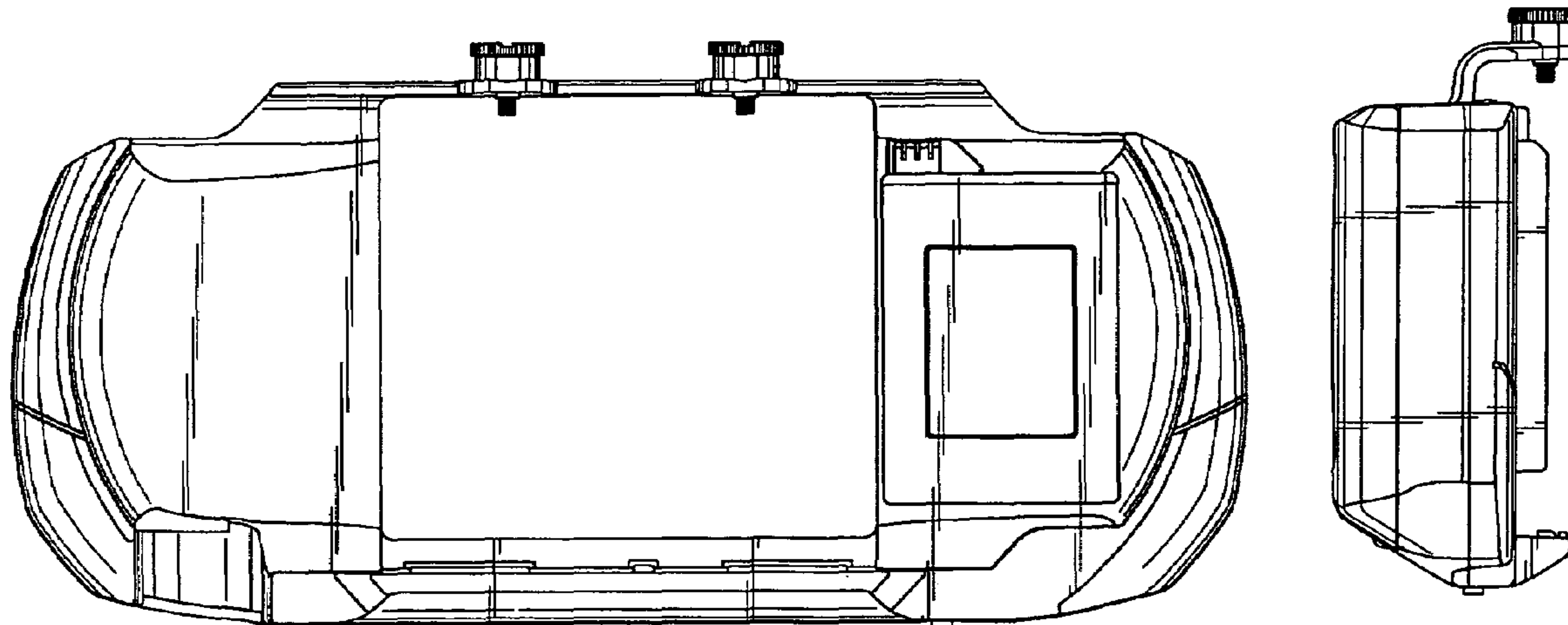
FIG. 3 is a left side elevational view thereof;

FIG. 4 is a right side elevational view thereof;

FIG. 5 is a rear view thereof; and,

FIG. 6 is a bottom plan view thereof.

**1 Claim, 3 Drawing Sheets**



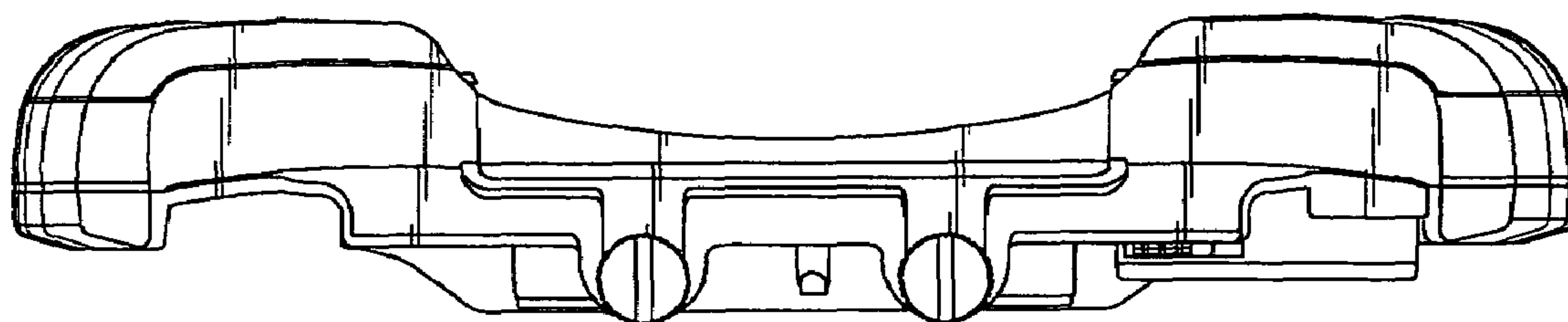


FIG. 2

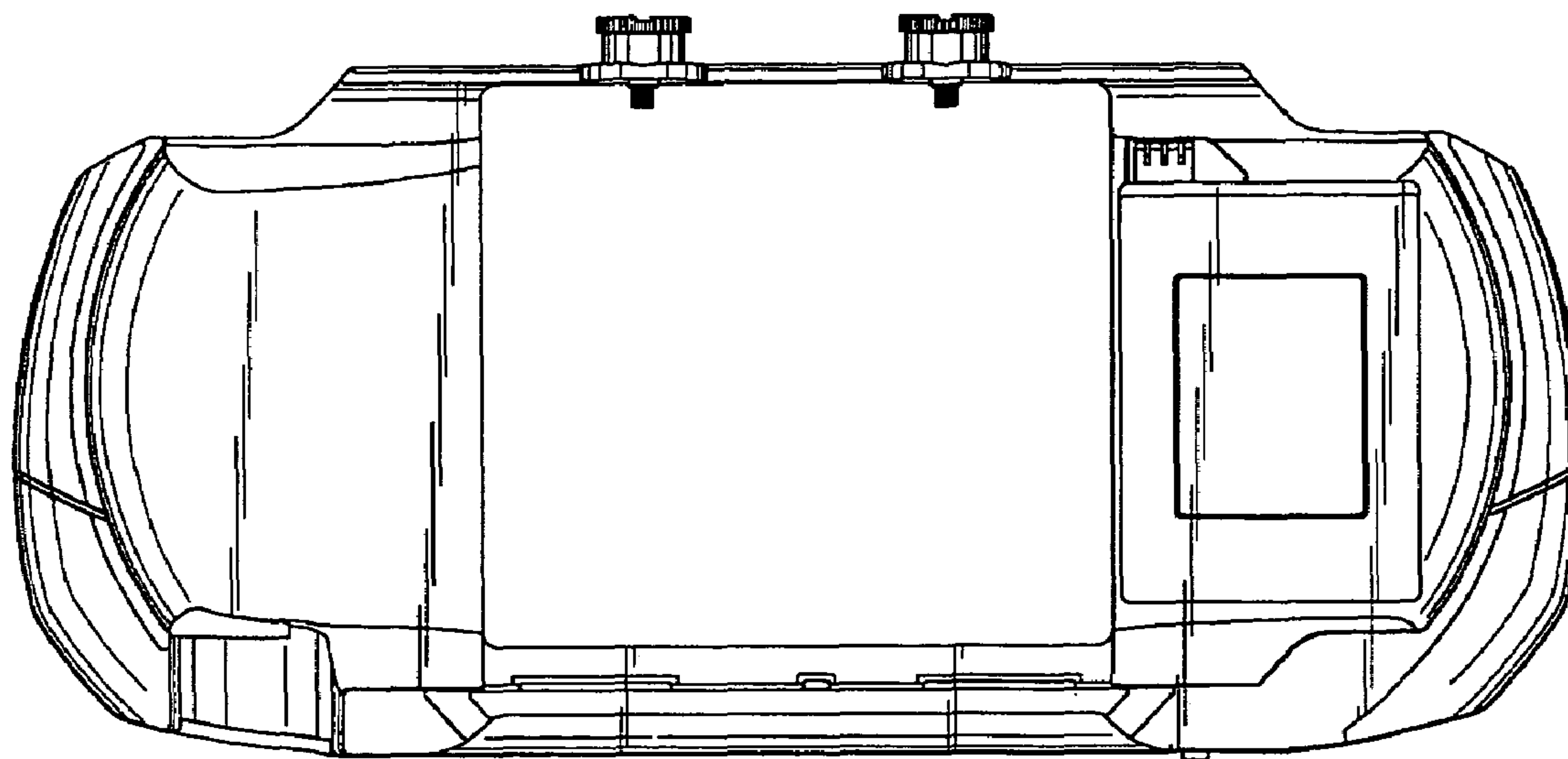


FIG. 1

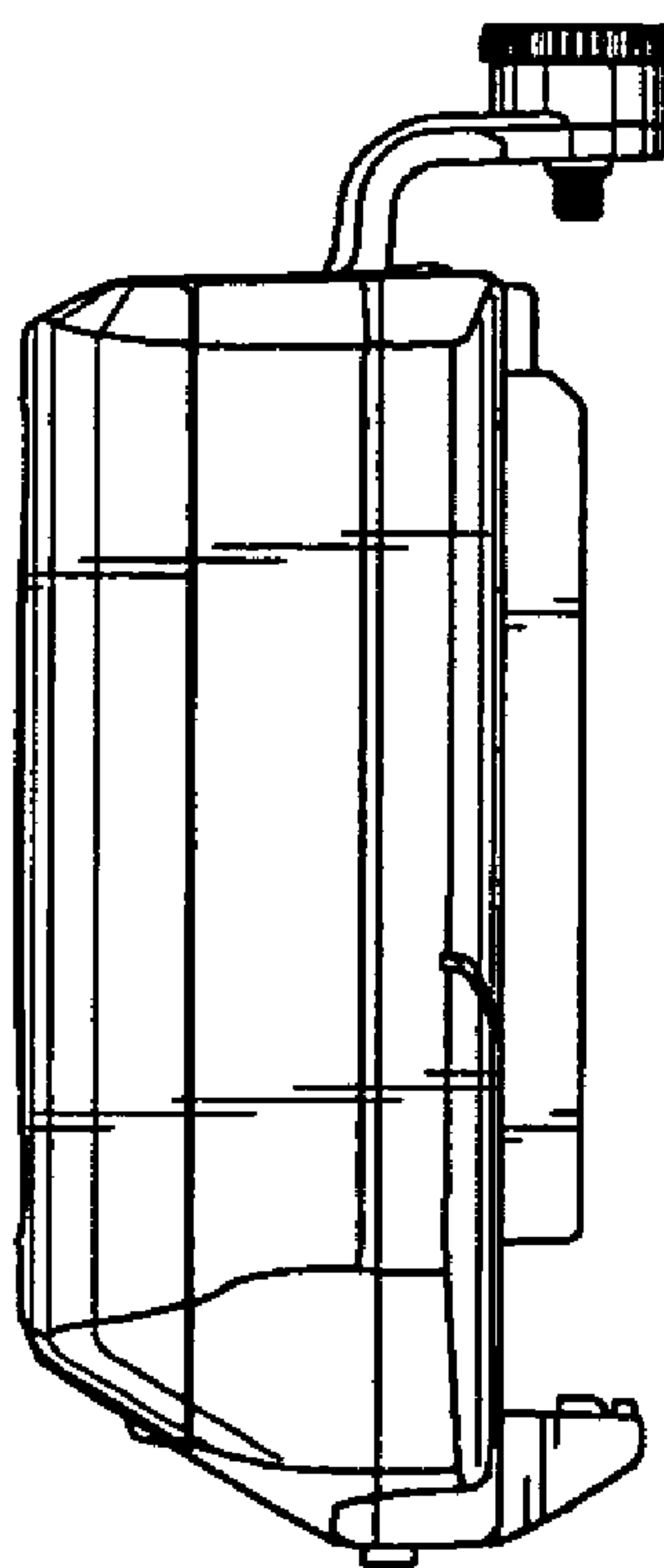


FIG. 3

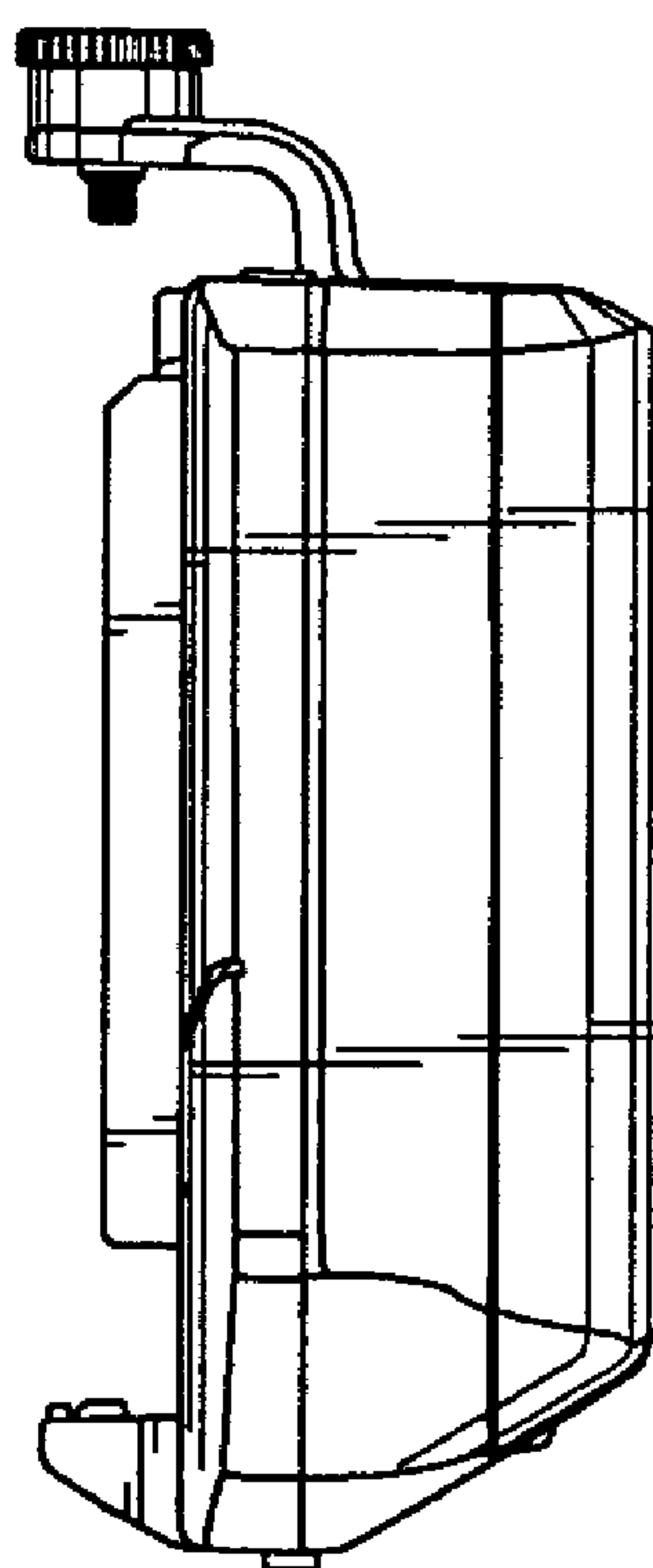


FIG. 4

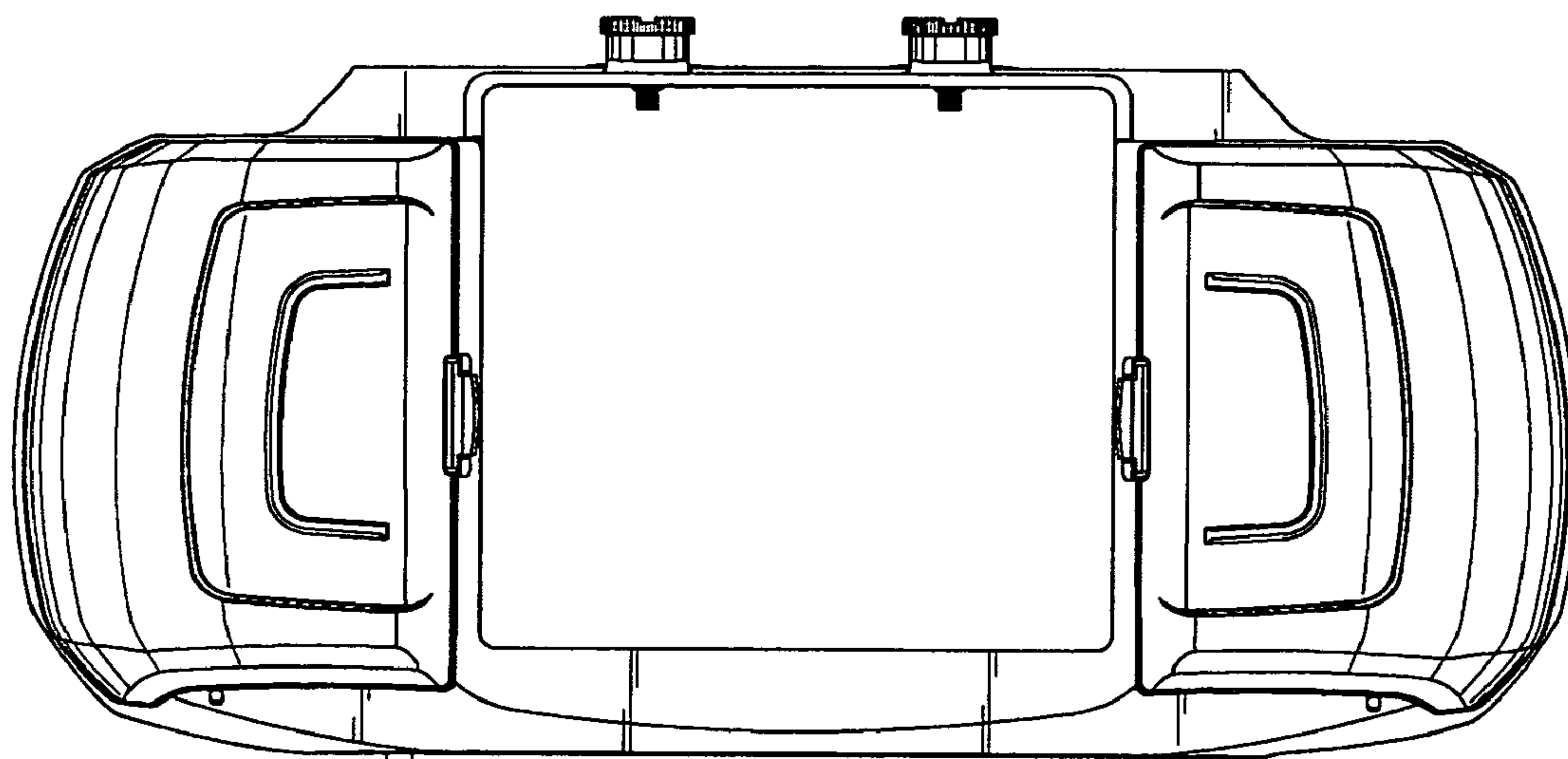


FIG. 5

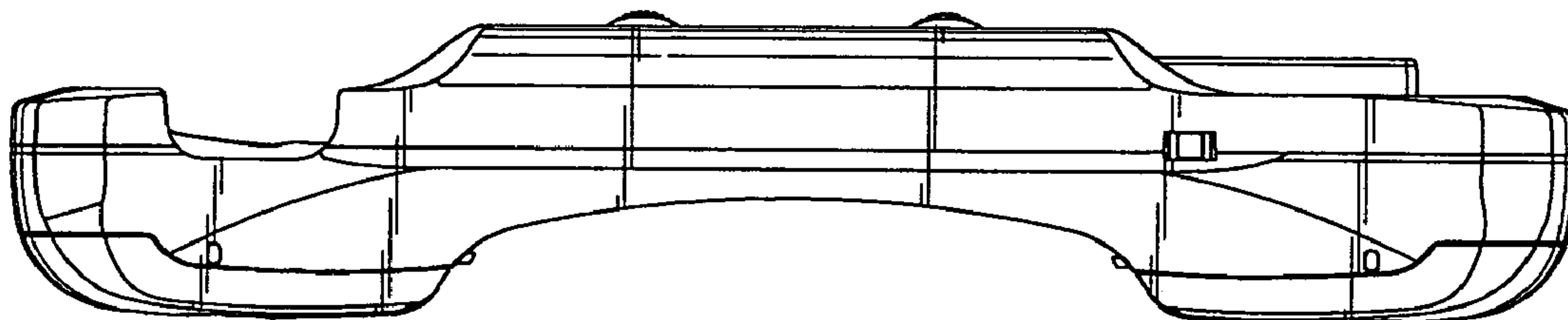


FIG. 6