

US00D546757S

(12) **United States Design Patent**  
**Von Büren et al.**

(10) **Patent No.:** **US D546,757 S**  
(45) **Date of Patent:** **\*\* Jul. 17, 2007**

(54) **ANTI-SLIDING DEVICE ASSEMBLY**

6,533,340 B1 \* 3/2003 Gaunzon et al. .... 296/37.1  
D484,697 S \* 1/2004 McCoy et al. .... D3/304  
6,811,198 B2 \* 11/2004 Caro et al. .... 296/37.8

(76) Inventors: **Martin Von Büren**, Allmendgasse 22,  
CH-4512 Bellach (CH); **Jean-Claude**  
**Probst**, Bündenweg 9, CH-2544  
Bettlach (CH)

\* cited by examiner

*Primary Examiner*—Philip S. Hyder  
(74) *Attorney, Agent, or Firm*—Bacon & Thomas, PLLC

(\*\*) Term: **14 Years**

(21) Appl. No.: **29/192,750**

(57) **CLAIM**

(22) Filed: **Oct. 30, 2003**

The ornamental design for a anti-sliding device assembly, as shown and described.

(30) **Foreign Application Priority Data**

May 2, 2003 (CH) ..... 129663

**DESCRIPTION**

(51) **LOC (8) Cl.** ..... **12-16**

FIG. 1 is a bottom plan view of a base plate portion of the anti-sliding device assembly according to the present invention;

(52) **U.S. Cl.** ..... **D12/426**

FIG. 2 is a top plan view of the base plate portion of FIG. 1;

(58) **Field of Classification Search** ..... D3/315;  
D12/426; D6/512; 296/37.1, 37.2; D8/71  
See application file for complete search history.

FIG. 3 is a perspective view showing the bottom portion of a receptacle for fixing rods used with the portion of FIGS. 1 and 2;

(56) **References Cited**

**U.S. PATENT DOCUMENTS**

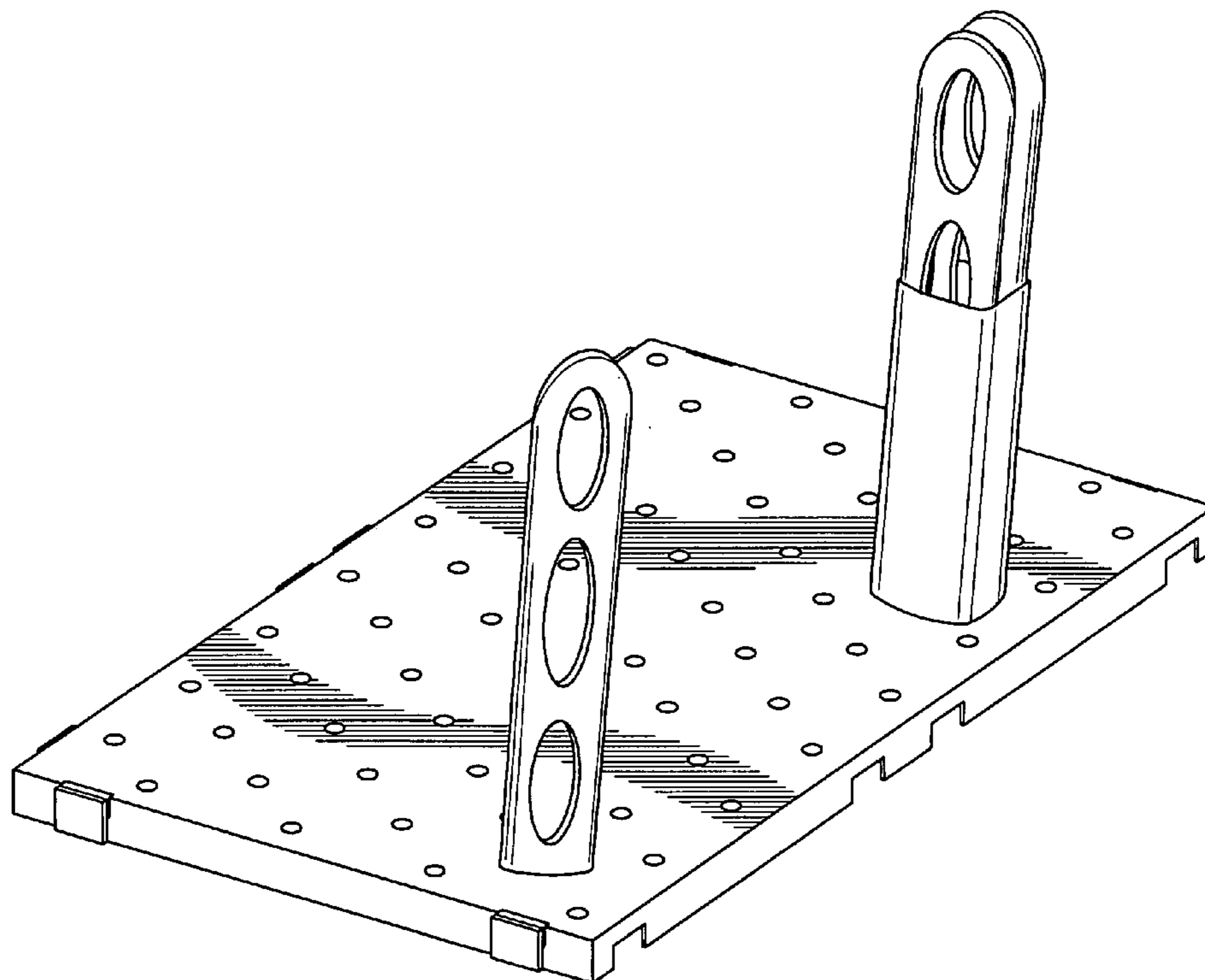
4,189,056 A \* 2/1980 Majewski ..... 211/195  
4,540,213 A \* 9/1985 Herlitz et al. .... 296/37.5  
5,054,668 A \* 10/1991 Ricchiuti ..... 296/37.1  
5,167,433 A \* 12/1992 Ryan ..... 296/37.1  
5,626,380 A \* 5/1997 Elson et al. .... 296/37.1  
D444,764 S \* 7/2001 So ..... D12/406  
D450,291 S \* 11/2001 Wang ..... D12/426  
D466,074 S \* 11/2002 Hoy ..... D12/426

FIG. 4 is a perspective view showing the top portion of the receptacle of FIG. 3;

FIG. 5 is a perspective view of one of the fixing rod portions of the anti-sliding device assembly; and,

FIG. 6 is a perspective view of the complete anti-sliding device assembly.

**1 Claim, 4 Drawing Sheets**



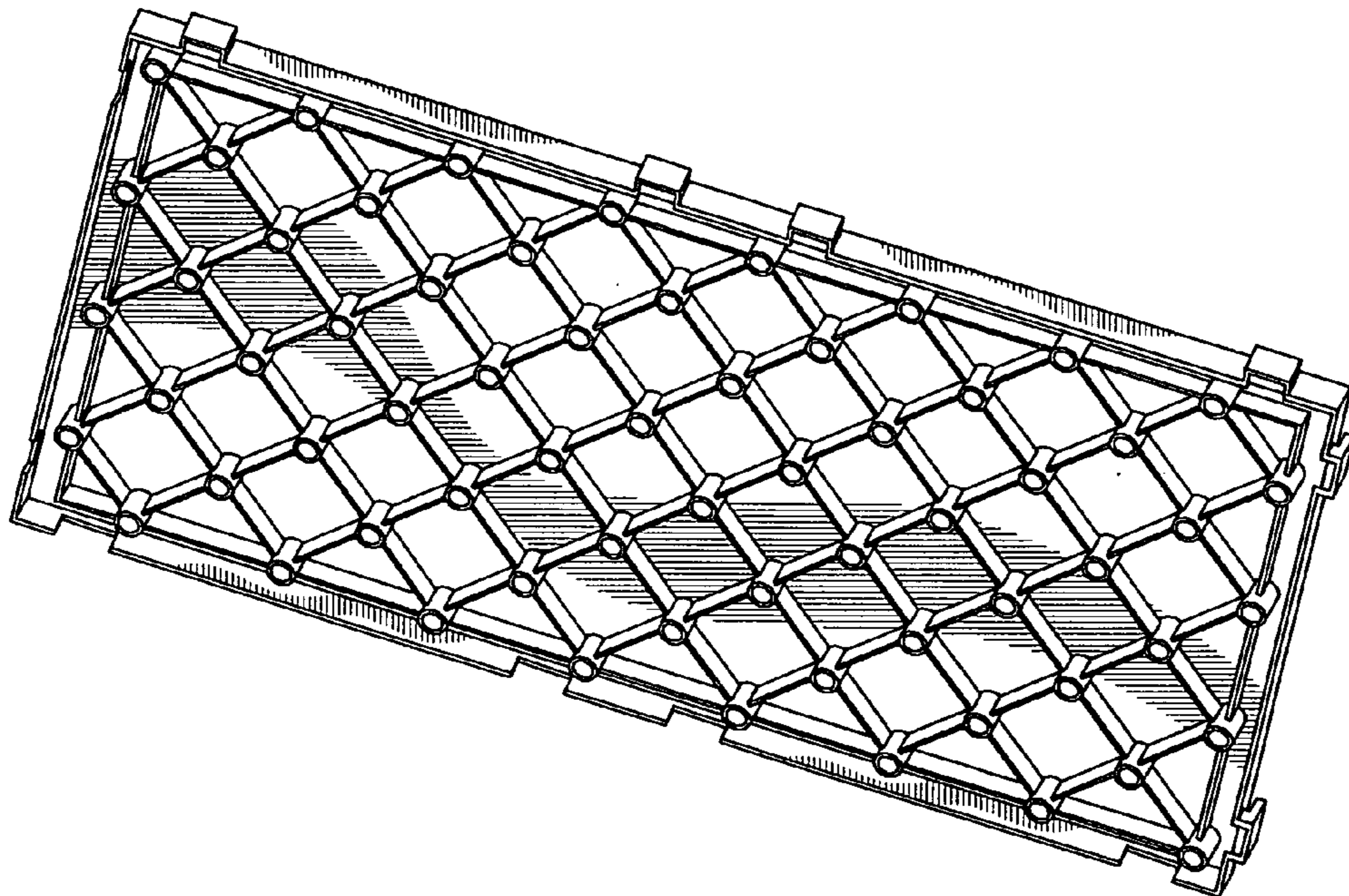


FIG. 1

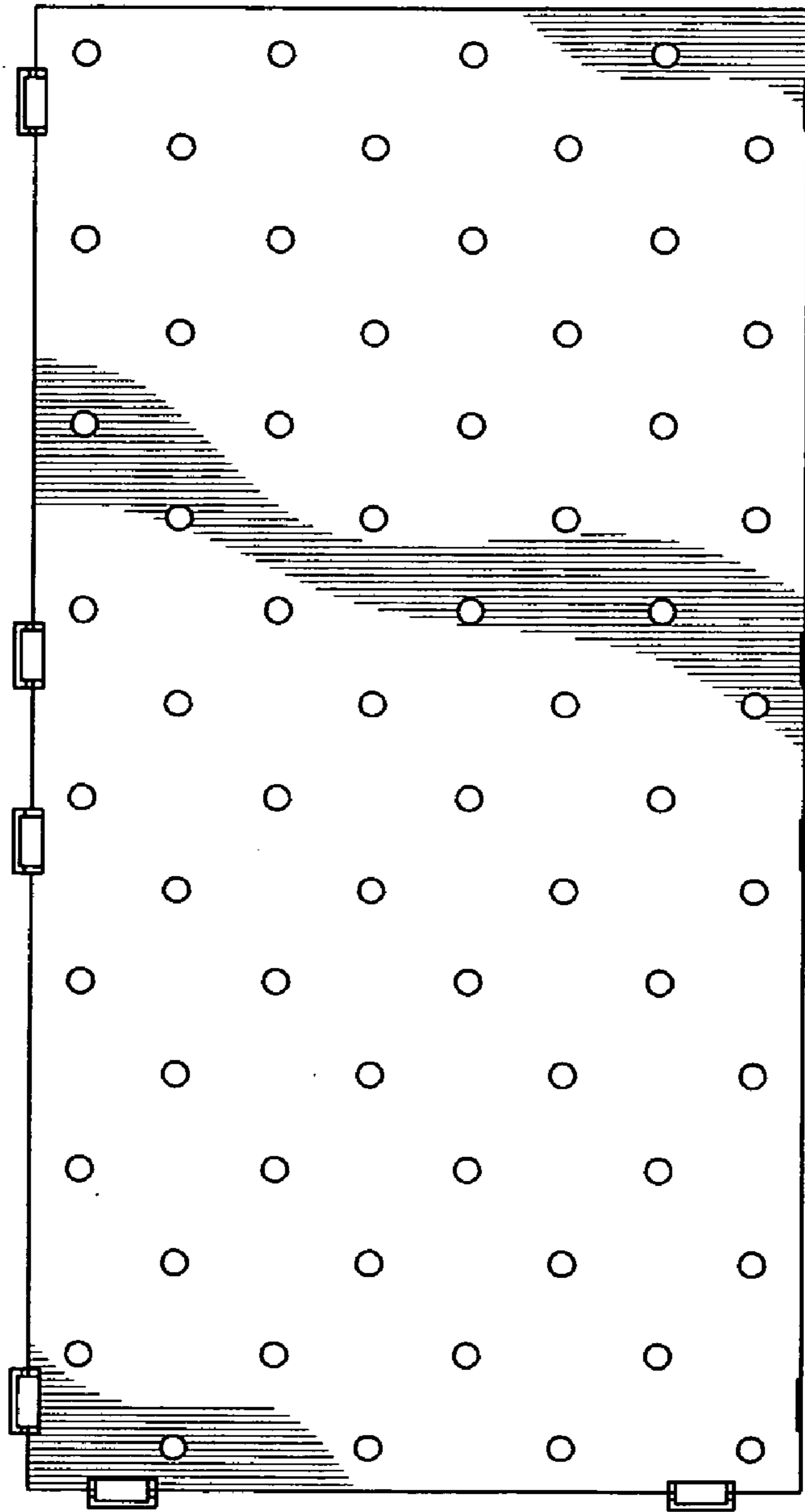


FIG. 2

FIG. 5

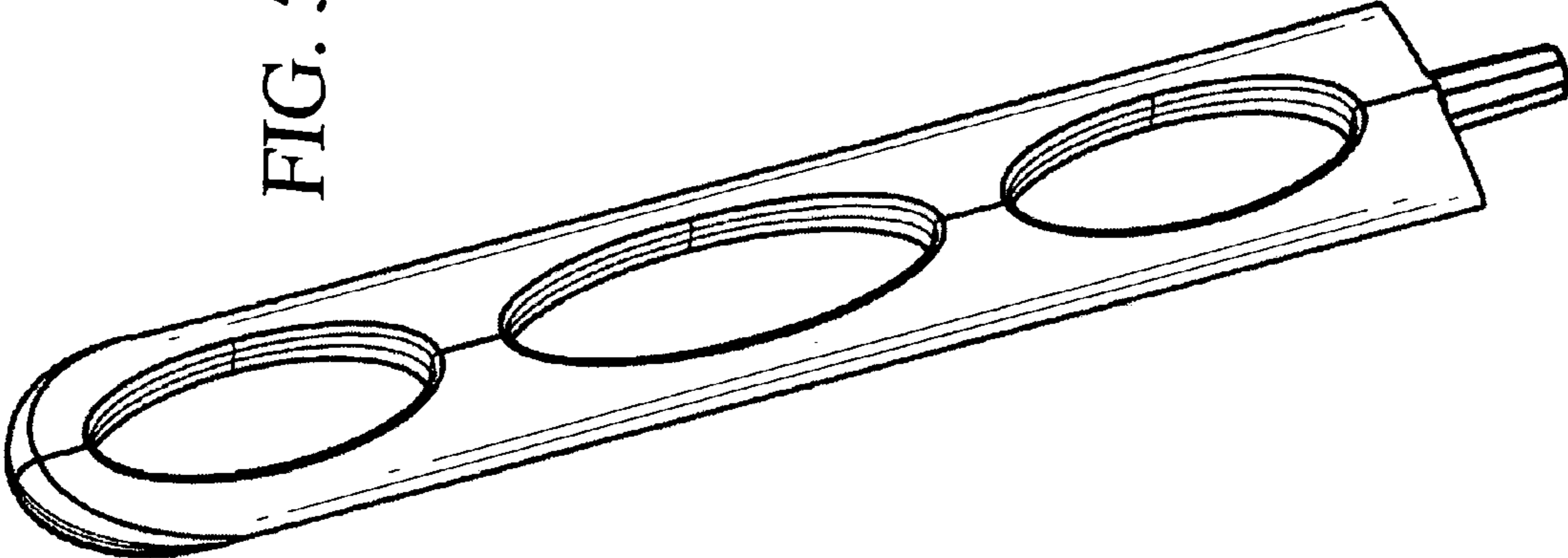


FIG. 3

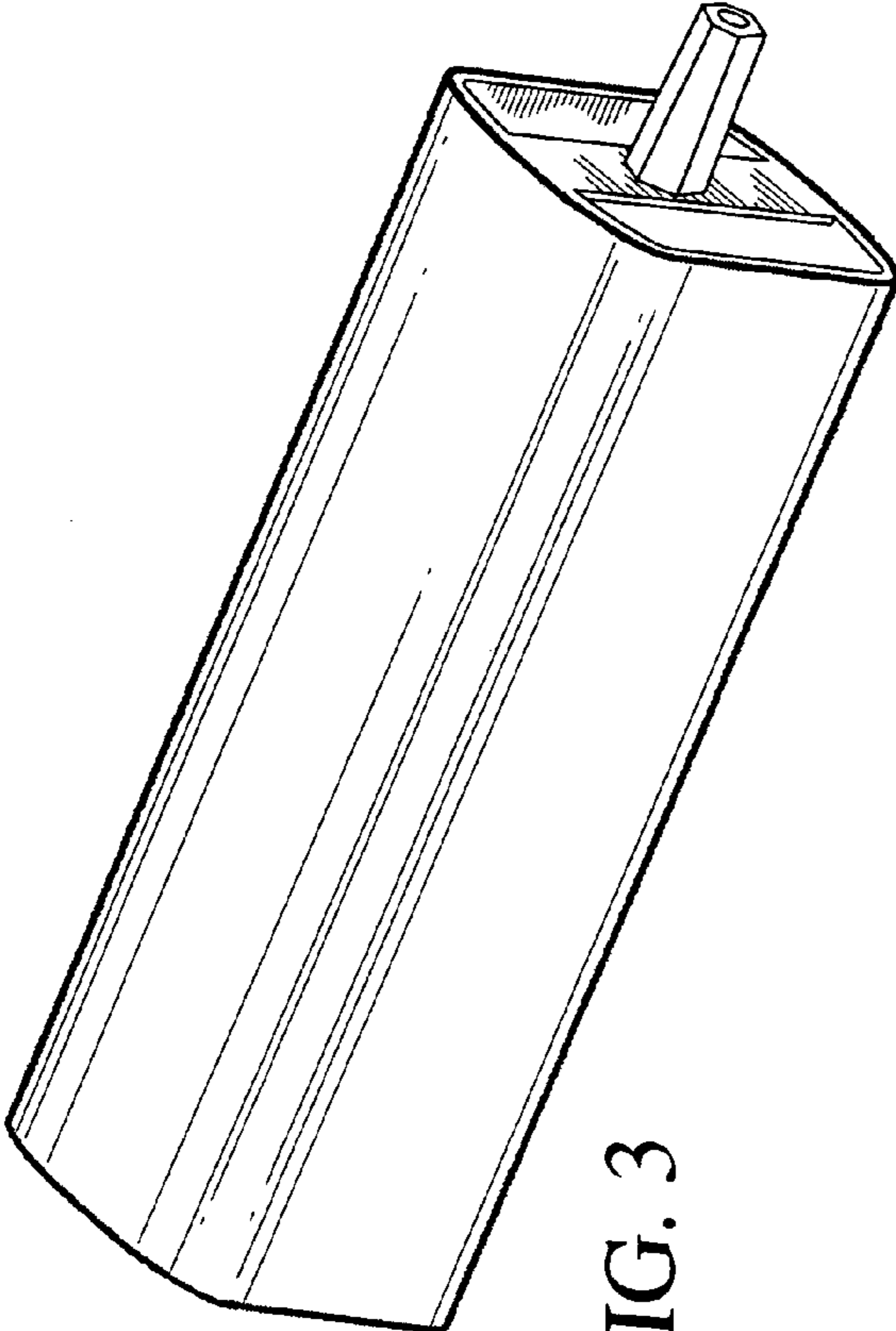


FIG. 4

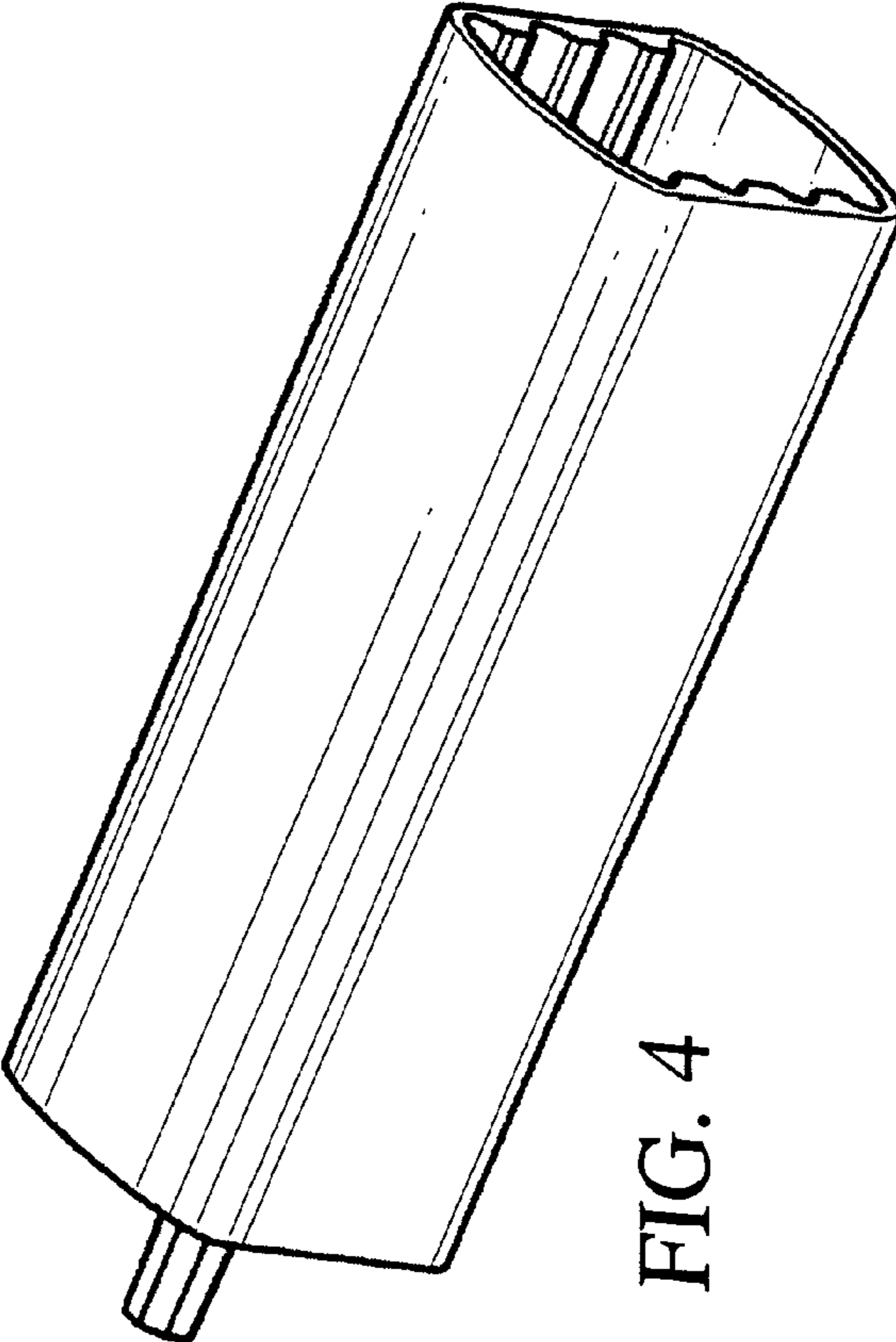


FIG. 6

