



US00D546755S

(12) **United States Design Patent**  
**Ezra**

(10) **Patent No.:** **US D546,755 S**  
(45) **Date of Patent:** **\*\* Jul. 17, 2007**

(54) **DOUBLE MOTORCYCLE CARRIER WITH RAMP**

(76) Inventor: **Leslie Paul Ezra**, 9341 S. State Road 39, Winamac, IN (US) 46996

(\*\*) Term: **14 Years**

(21) Appl. No.: **29/273,811**

(22) Filed: **Mar. 15, 2007**

(51) **LOC (8) Cl.** ..... **12-11**

(52) **U.S. Cl.** ..... **D12/408**

(58) **Field of Classification Search** ..... D12/406-408, D12/115, 120, 412, 110; 211/5, 17-22; 224/412-415, 224/488, 489, 309-311, 400, 495, 324-326, 224/500-532, 924, 416-425; 180/219, 288.4; 280/202, 292, 304.5

See application file for complete search history.

(56) **References Cited**

**U.S. PATENT DOCUMENTS**

3,176,903 A	4/1965	Farley
3,567,052 A	3/1971	Allen
3,912,139 A	10/1975	Bowman
4,189,274 A	2/1980	Shaffner
D306,992 S	4/1990	Morehouse
5,092,503 A	3/1992	Cocks
5,377,886 A	1/1995	Sickler
5,462,398 A	10/1995	Hymer
D393,241 S	4/1998	Diotte
6,019,266 A	2/2000	Johnson

D467,218 S	12/2002	Peschmann	
D528,064 S *	9/2006	Ezra	..... D12/408
2002/0154980 A1 *	10/2002	Potts	..... 414/462
2004/0004099 A1 *	1/2004	Crouch	..... 224/519

\* cited by examiner

*Primary Examiner*—Alan P. Douglas  
*Assistant Examiner*—Linda Brooks

(57) **CLAIM**

The ornamental design for a double motorcycle carrier with ramp, as shown.

**DESCRIPTION**

FIG. 1 is a front perspective view of double motorcycle carrier with ramp.

FIG. 2 is a front elevation view of the double motorcycle carrier with ramp.

FIG. 3 is a rear elevation view of the double motorcycle carrier with ramp.

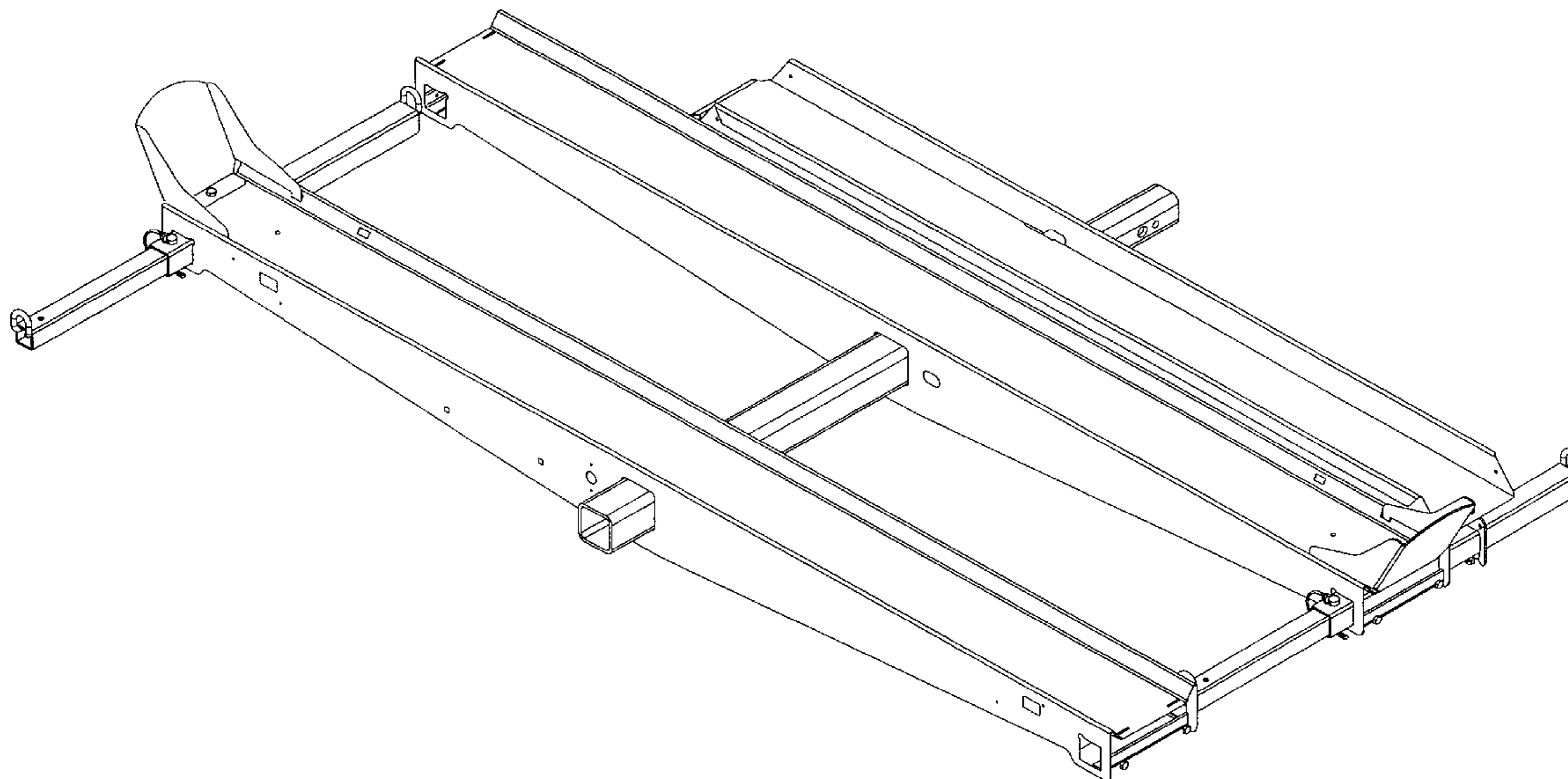
FIG. 4 is a top plan view of the double motorcycle carrier with ramp.

FIG. 5 is a bottom plan view of the double motorcycle carrier with ramp.

FIG. 6 is a left side elevation view of the double motorcycle carrier with ramp; and,

FIG. 7 is a right side elevation view of the double motorcycle carrier with ramp.

**1 Claim, 7 Drawing Sheets**



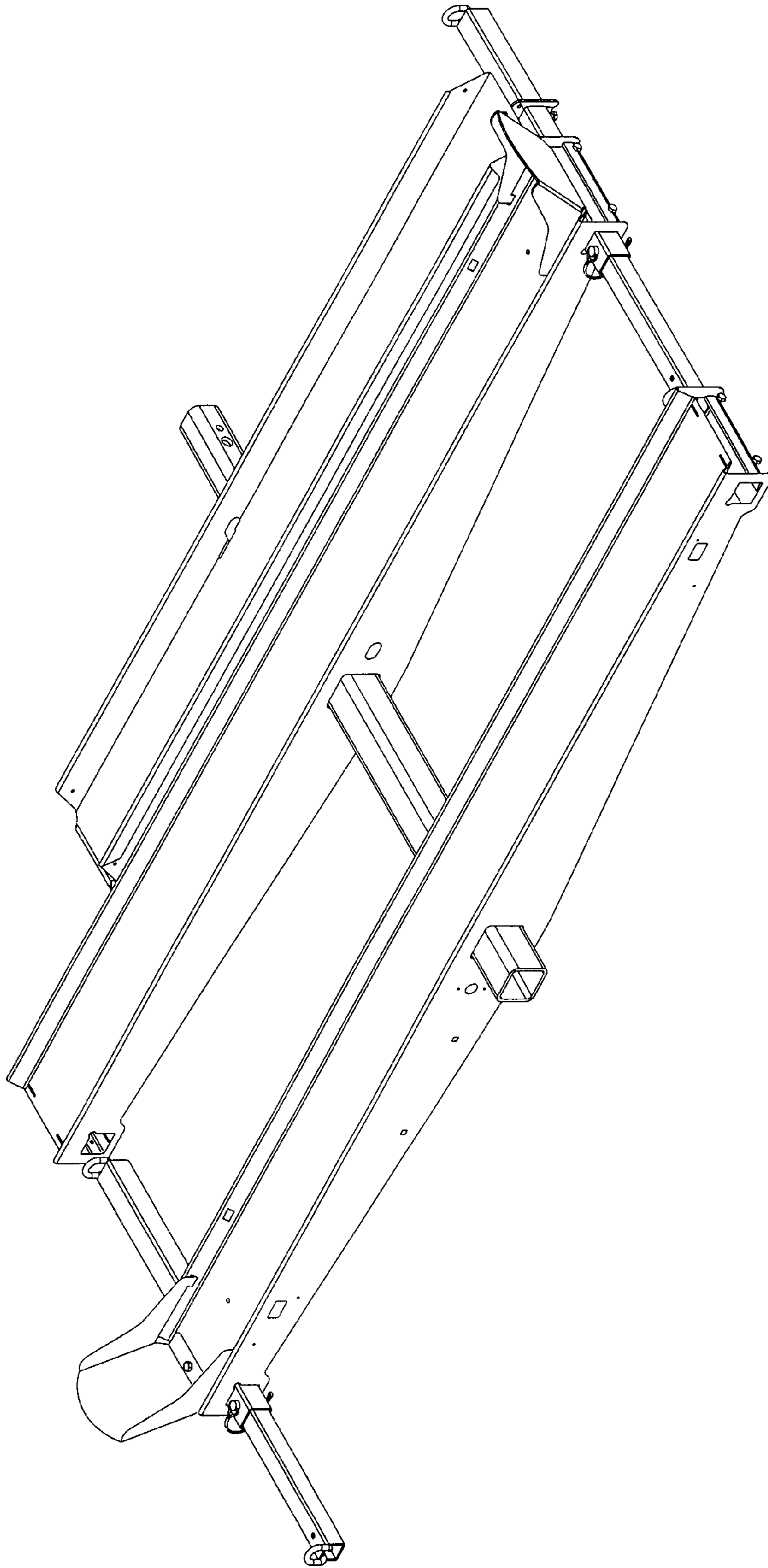


Figure 1

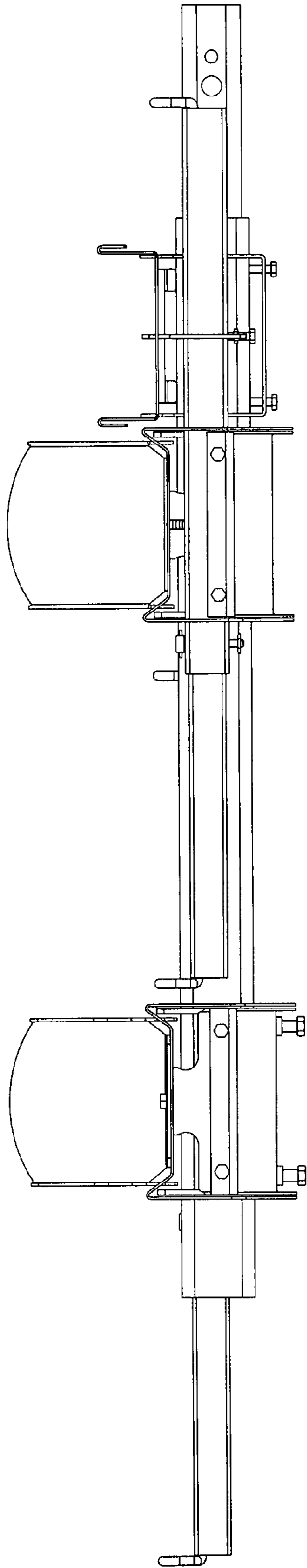


Figure 2

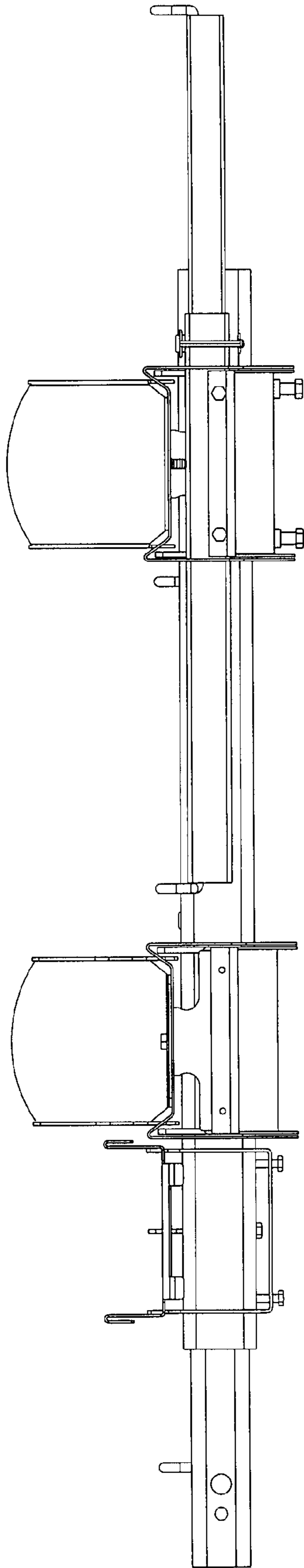


Figure 3

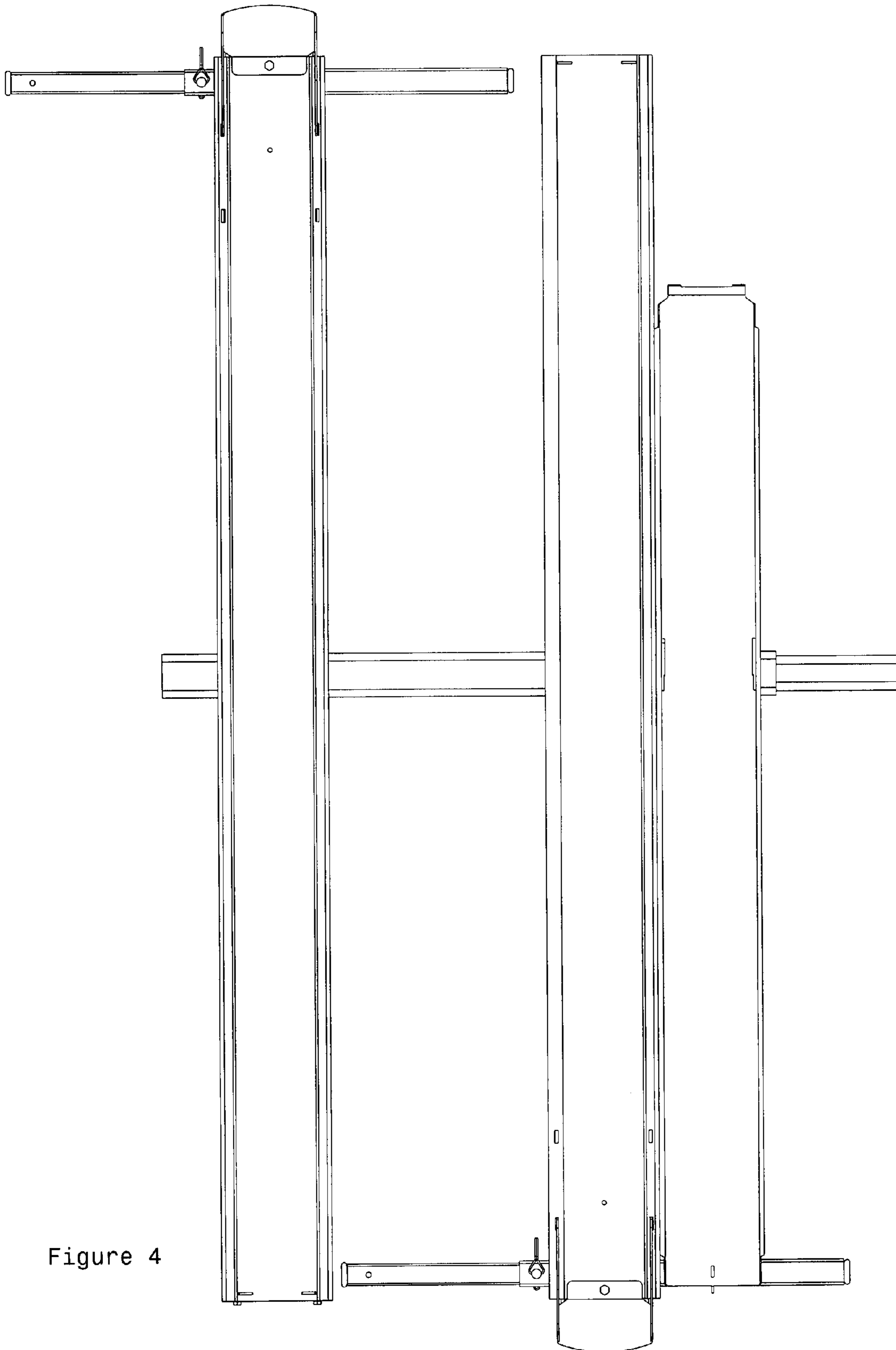


Figure 4

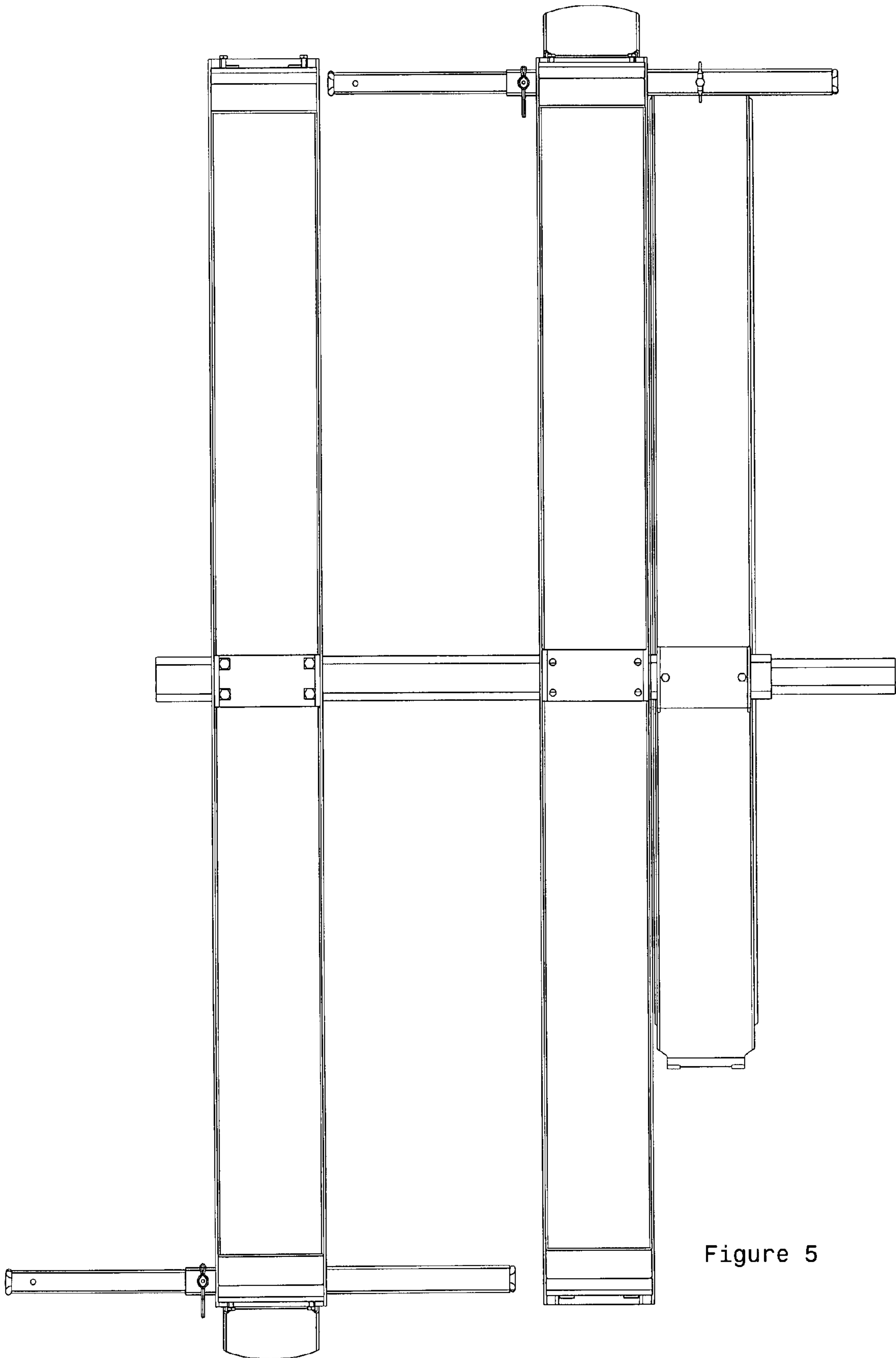


Figure 5

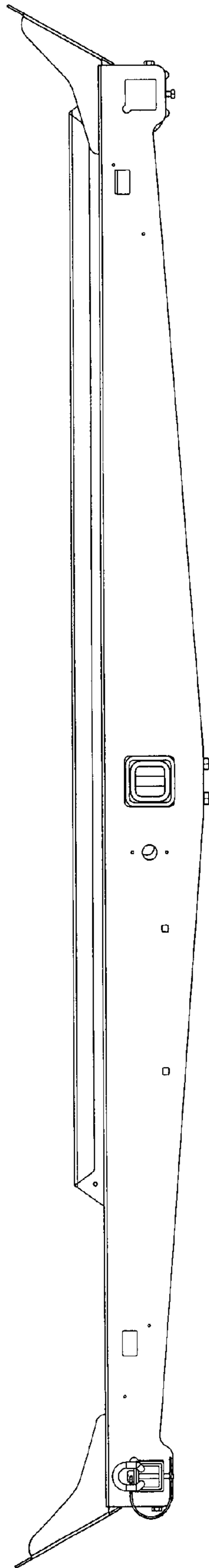


Figure 6

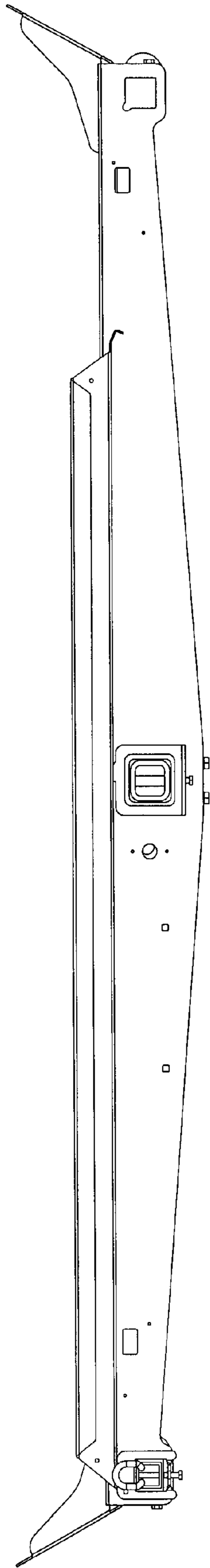


Figure 7