



US00D546754S

(12) **United States Design Patent**
Blair et al.

(10) **Patent No.:** **US D546,754 S**
(45) **Date of Patent:** **** Jul. 17, 2007**

(54) **CYCLE COVER**

7,013,904 B2 * 3/2006 Kofler 150/167 X

(76) Inventors: **Rita Blair**, 2525 Carter Rd.,
Springtown, TX (US) 76082; **Mark Blair**, 2525 Carter Rd., Springtown, TX
(US) 76082

* cited by examiner

Primary Examiner—Alan P. Douglas
Assistant Examiner—Linda Brooks
(74) *Attorney, Agent, or Firm*—Raymond M. Galasso;
Galasso + Associates, LP

(**) Term: **14 Years**

(21) Appl. No.: **29/223,944**

(57) **CLAIM**

(22) Filed: **Feb. 23, 2005**

The ornamental design for a cycle cover, as shown and described.

(51) **LOC (8) Cl.** **12-16**

(52) **U.S. Cl.** **D12/402**

(58) **Field of Classification Search** D12/114,
D12/126, 401-403, 404; 150/166, 167, 168;
296/77.1, 78.1, 136.01, 136.1, 136.11; 52/3-5;
135/87, 88.03, 88.05

DESCRIPTION

See application file for complete search history.

FIG. 1 is a perspective view of the cycle cover of our new design.

FIG. 2 is enlarged perspective view of the frame detail encircled as 2 in FIG. 1, shown separately for clarity.

FIG. 3 is a top view of the cycle cover.

FIG. 4 is a side view of the cycle cover; and,

FIG. 5 is a front view of the cycle cover, with the fastening straps shown broken away for ease of illustration.

The second side view of the cycle cover is omitted since it is an identical/mirror image of the side view shown in FIG. 4.

(56) **References Cited**

U.S. PATENT DOCUMENTS

- 4,283,084 A 8/1981 Gallagher
- 4,685,530 A 8/1987 Hara
- D292,566 S * 11/1987 Racicot D12/403
- 4,818,012 A 4/1989 Kohama et al.
- 6,565,139 B2 * 5/2003 Bayerle et al. 296/77.1
- 6,718,697 B2 * 4/2004 Voorhees D12/402 X

1 Claim, 5 Drawing Sheets

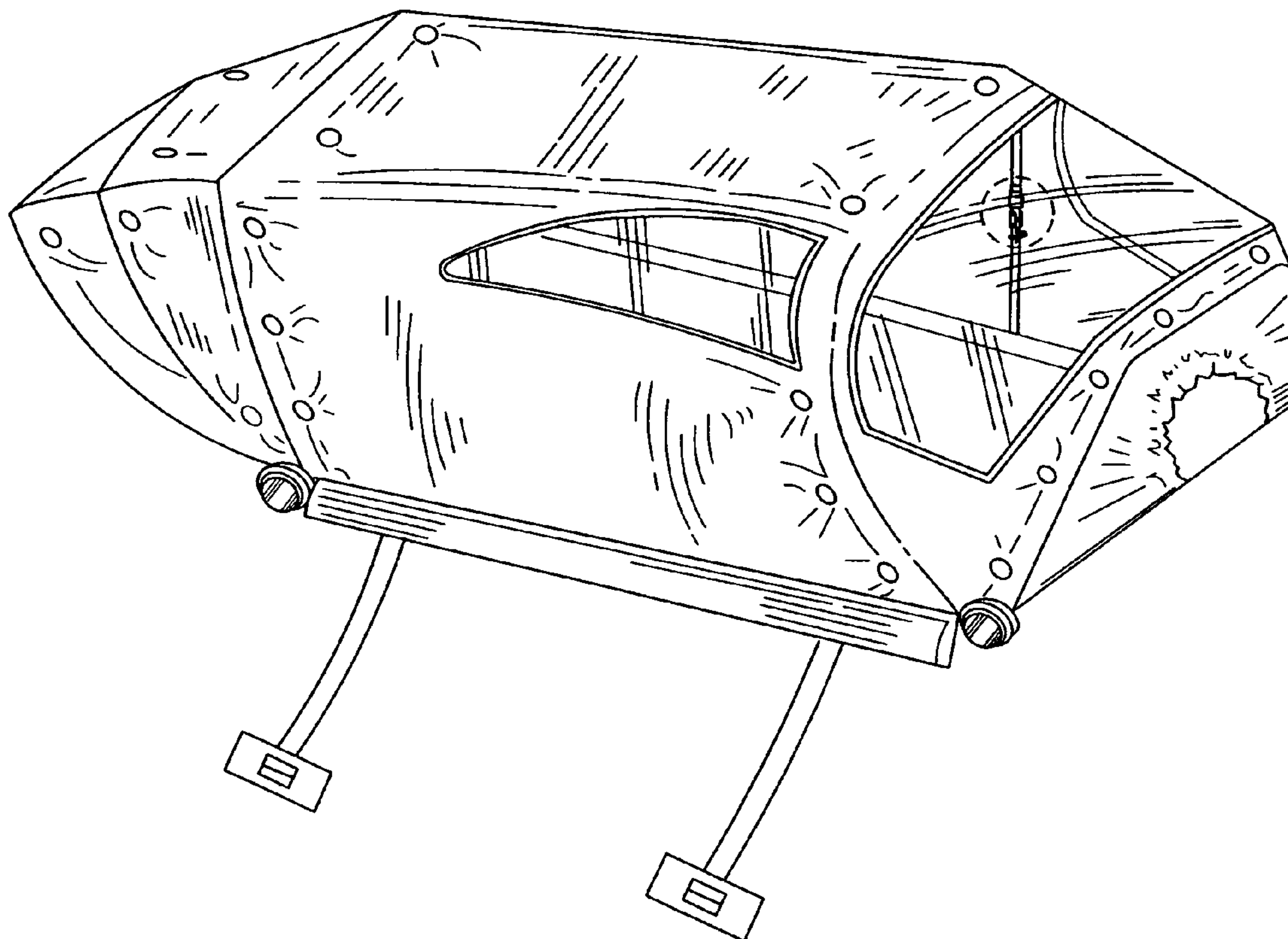


FIG. 1

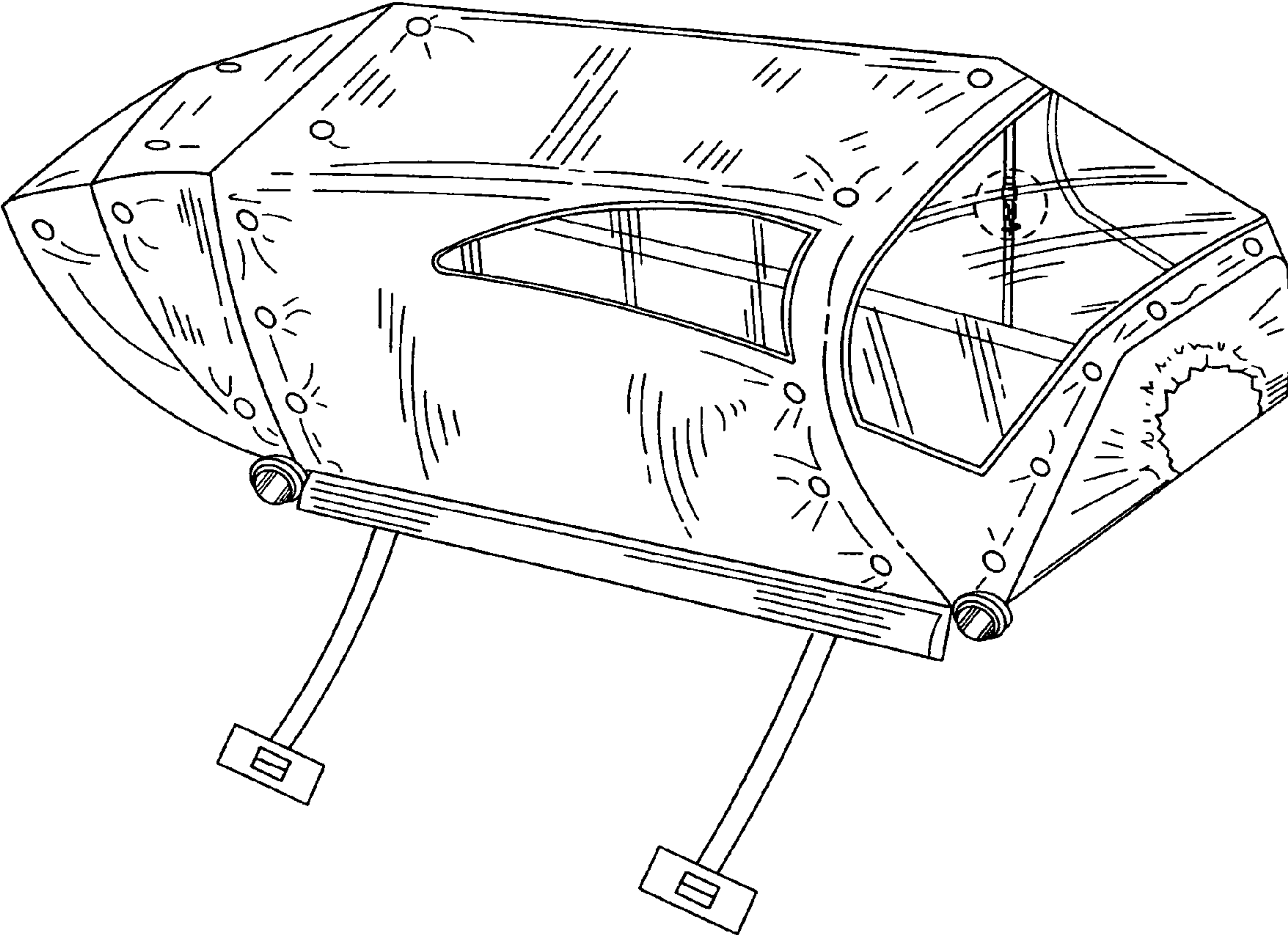


FIG. 2

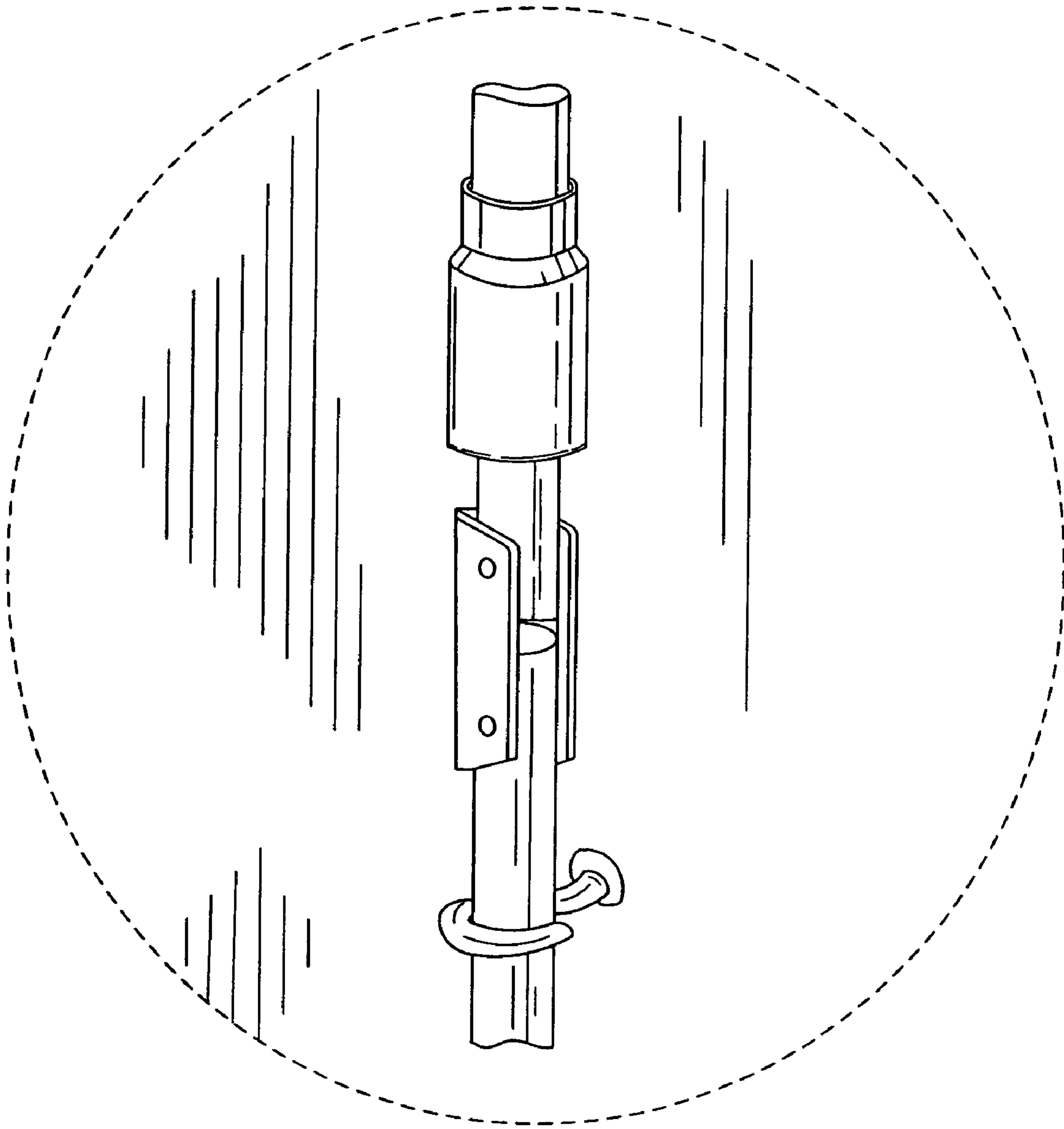


FIG. 3

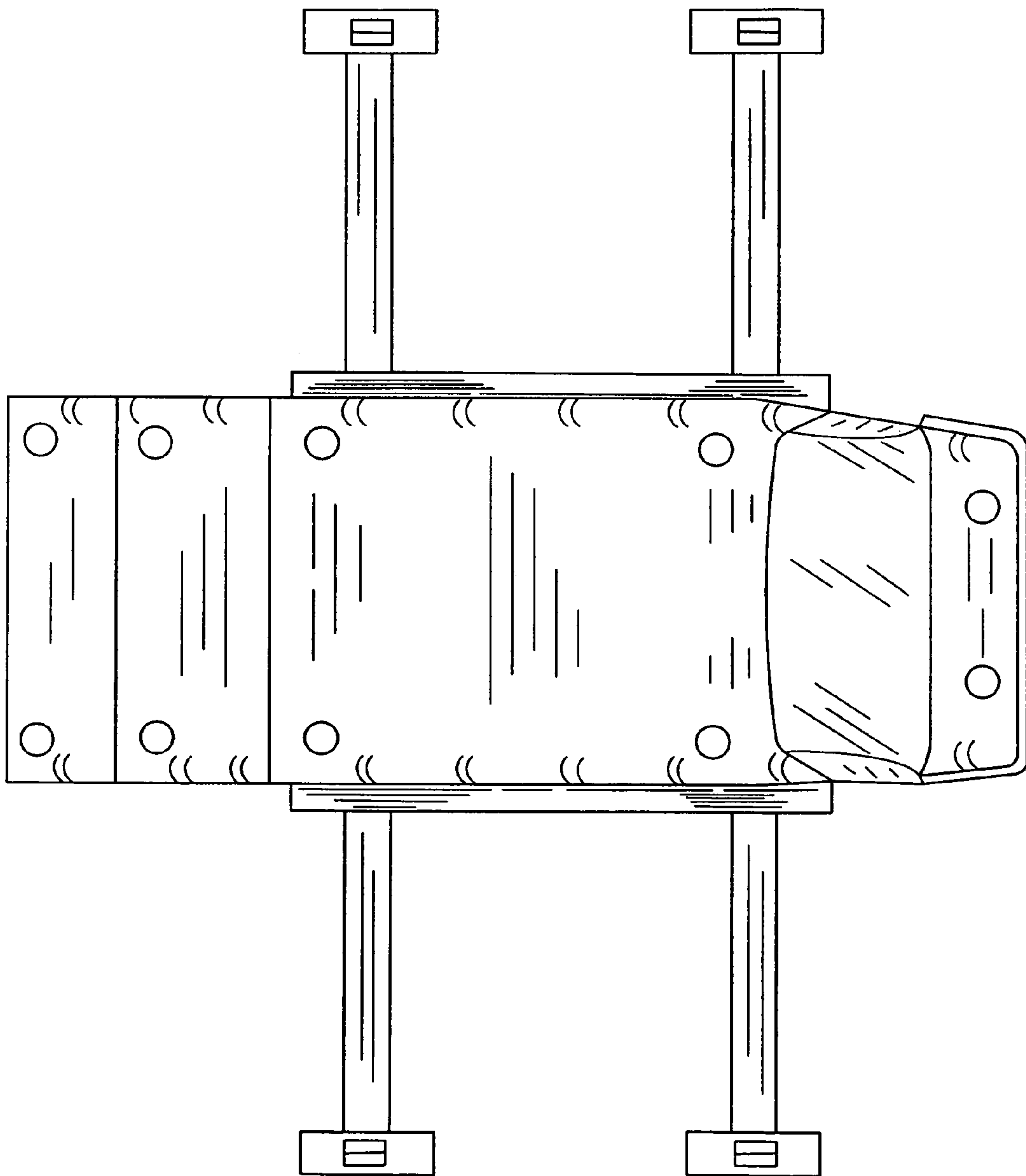


FIG. 4

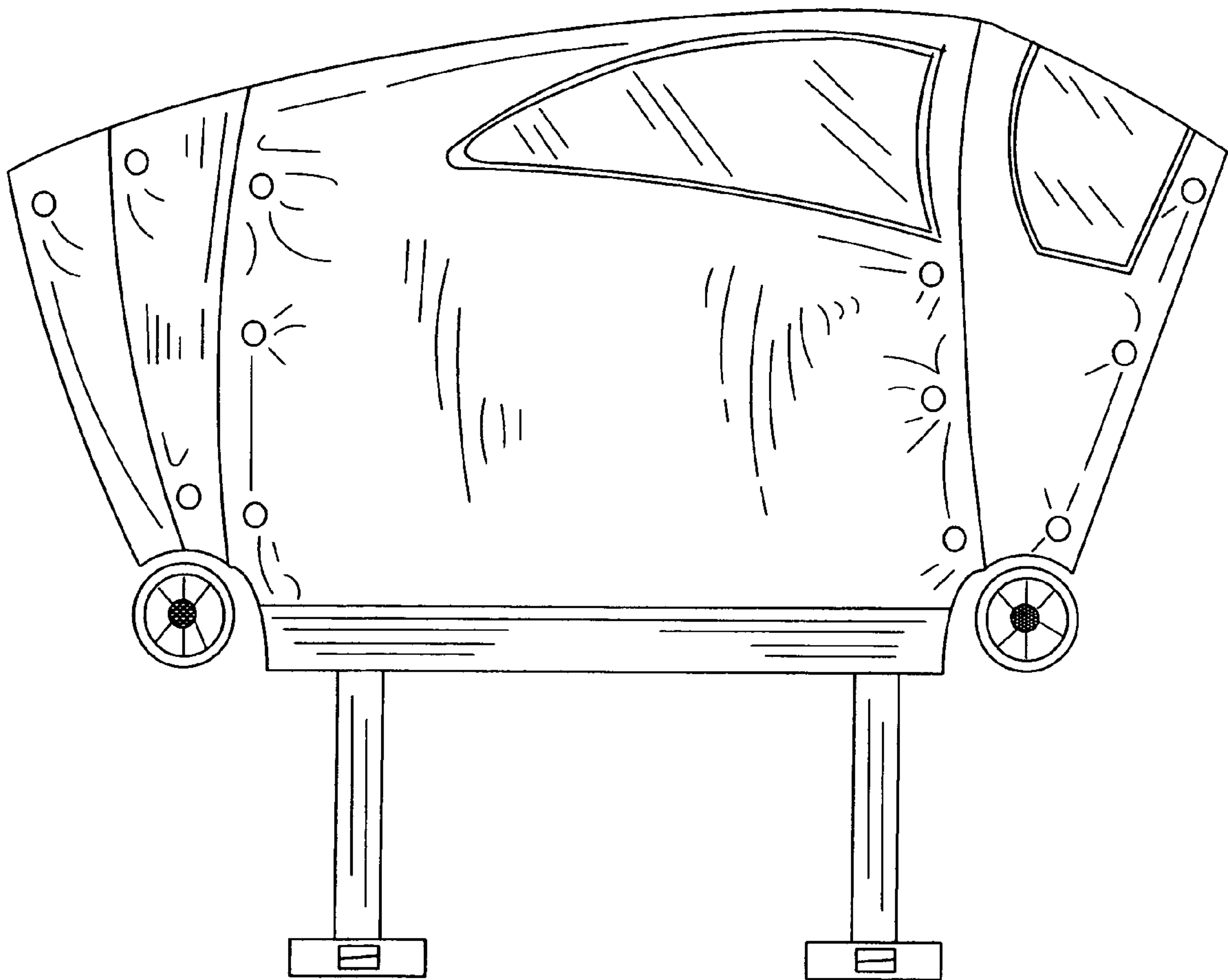


FIG. 5

