



US00D546752S

(12) **United States Design Patent**
Dovell

(10) **Patent No.:** **US D546,752 S**
(45) **Date of Patent:** **** Jul. 17, 2007**

(54) **FIN FOR SURFCRAFT**

(75) Inventor: **Andrew Clement Dovell**, Newport (AU)

(73) Assignee: **Surfing Hardware International Holdings Pty Limited**, Sydney (AU)

(**) Term: **14 Years**

(21) Appl. No.: **29/208,714**

(22) Filed: **Jul. 2, 2004**

(30) **Foreign Application Priority Data**

Jan. 6, 2004 (AU) 21/2004

(51) **LOC (8) Cl.** **12-06**

(52) **U.S. Cl.** **D12/317**

(58) **Field of Classification Search** D12/317;
D21/769, 771, 778, 805-807; 114/127, 133,
114/140; 441/74, 75

See application file for complete search history.

(56) **References Cited**

U.S. PATENT DOCUMENTS

D220,137 S *	3/1971	Kwiatkowski	D21/778
4,044,416 A *	8/1977	Brewer et al.	441/79
4,325,154 A *	4/1982	Collum, Jr.	441/74
4,733,496 A *	3/1988	Wallner	441/79
D312,491 S *	11/1990	Roland	D21/635
5,032,096 A *	7/1991	Scott et al.	441/74
5,273,472 A *	12/1993	Skedeleski et al.	441/79
5,306,188 A *	4/1994	Skedeleski et al.	441/79

(Continued)

FOREIGN PATENT DOCUMENTS

JP	H10-167177	6/1998
JP	2002-505230 A	2/2002
WO	WO 00130925	6/2000

Primary Examiner—Holly H. Baynham
Assistant Examiner—Cynthia M. Chin

(74) *Attorney, Agent, or Firm*—Squire, Sanders & Dempsey L.L.P.

(57) **CLAIM**

The ornamental design for a fin for surfcraft, as shown and described.

DESCRIPTION

FIG. 1 is a top view of a fin for surfcraft showing my design, wherein the fin for surfcraft illustrated is a left fin for surfcraft;

FIG. 2 is a front view of the left fin for surfcraft of FIG. 1; FIG. 3 is a rear view of the left fin for surfcraft of FIG. 1; FIG. 4 is a left side view of the left fin for surfcraft of FIG. 1;

FIG. 5 is a bottom view of the left fin for surfcraft of FIG. 1;

FIG. 6 is a right side view of the left fin for surfcraft of FIG. 1;

FIG. 7 is a left perspective view of the left fin for surfcraft of FIG. 1;

FIG. 8 is a right perspective view of the left fin for surfcraft of FIG. 1;

FIG. 9 is a top view of a second embodiment of a fin for surfcraft having a mirror image of the fin for surfcraft of FIG. 1, wherein the fin for surfcraft illustrated is a right fin for surfcraft;

FIG. 10 is a front view of the right fin for surfcraft of FIG. 9;

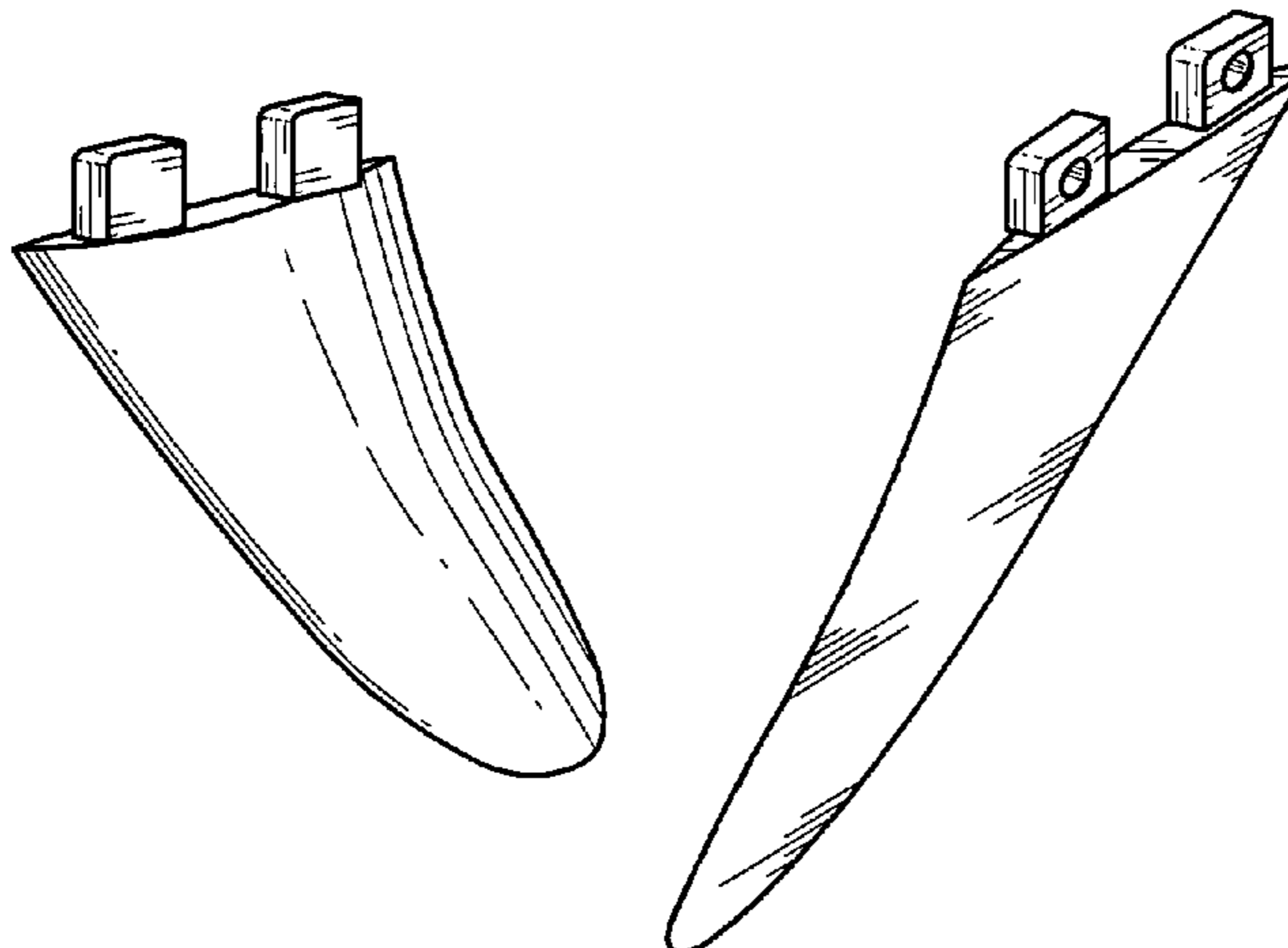
FIG. 11 is a rear view of the right fin for surfcraft of FIG. 9;

FIG. 12 is a left side view of the right fin for surfcraft of FIG. 9;

FIG. 13 is a right side view of the right fin for surfcraft of FIG. 9; and,

FIG. 14 is a bottom view of the right fin for surfcraft of FIG. 9.

1 Claim, 5 Drawing Sheets



US D546,752 S

Page 2

U.S. PATENT DOCUMENTS

D357,297 S *	4/1995	Newton	D21/808	D461,871 S *	8/2002	Flowers	D23/208
5,480,331 A *	1/1996	Lewis	441/79	6,595,817 B1 *	7/2003	Chang	441/79
D418,568 S *	1/2000	Hudson et al.	D21/778	D502,522 S *	3/2005	Sperafico	D21/771
6,068,531 A *	5/2000	Patterson	441/74	RE38,840 E *	10/2005	Patterson	441/74
6,139,383 A *	10/2000	Jolly et al.	441/74	6,991,504 B1 *	1/2006	English et al.	441/79
D445,867 S *	7/2001	Reudink	D21/778	7,029,352 B1 *	4/2006	Suzuki	441/79
6,394,865 B1 *	5/2002	Arzadon	441/79	2004/0121671 A1 *	6/2004	Skedeleski	441/79

* cited by examiner

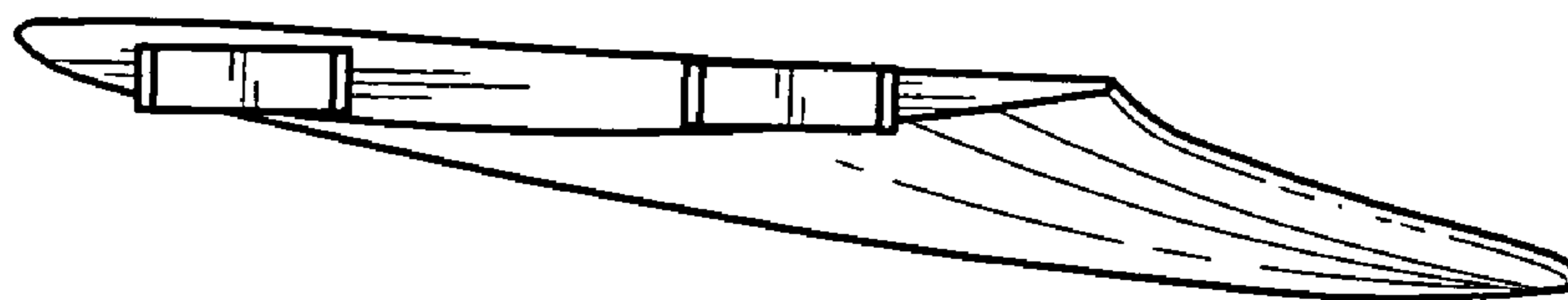


FIG. 1

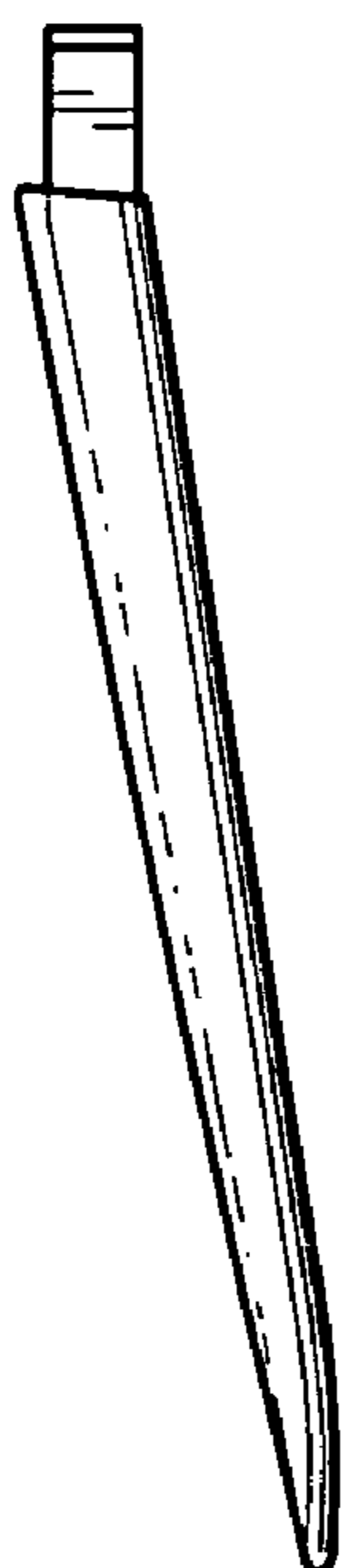


FIG. 2

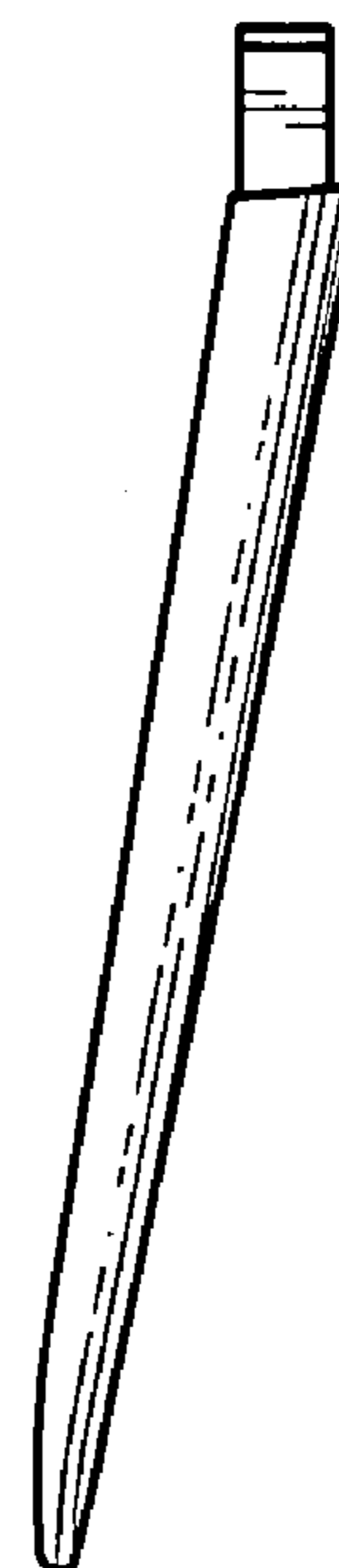


FIG. 3

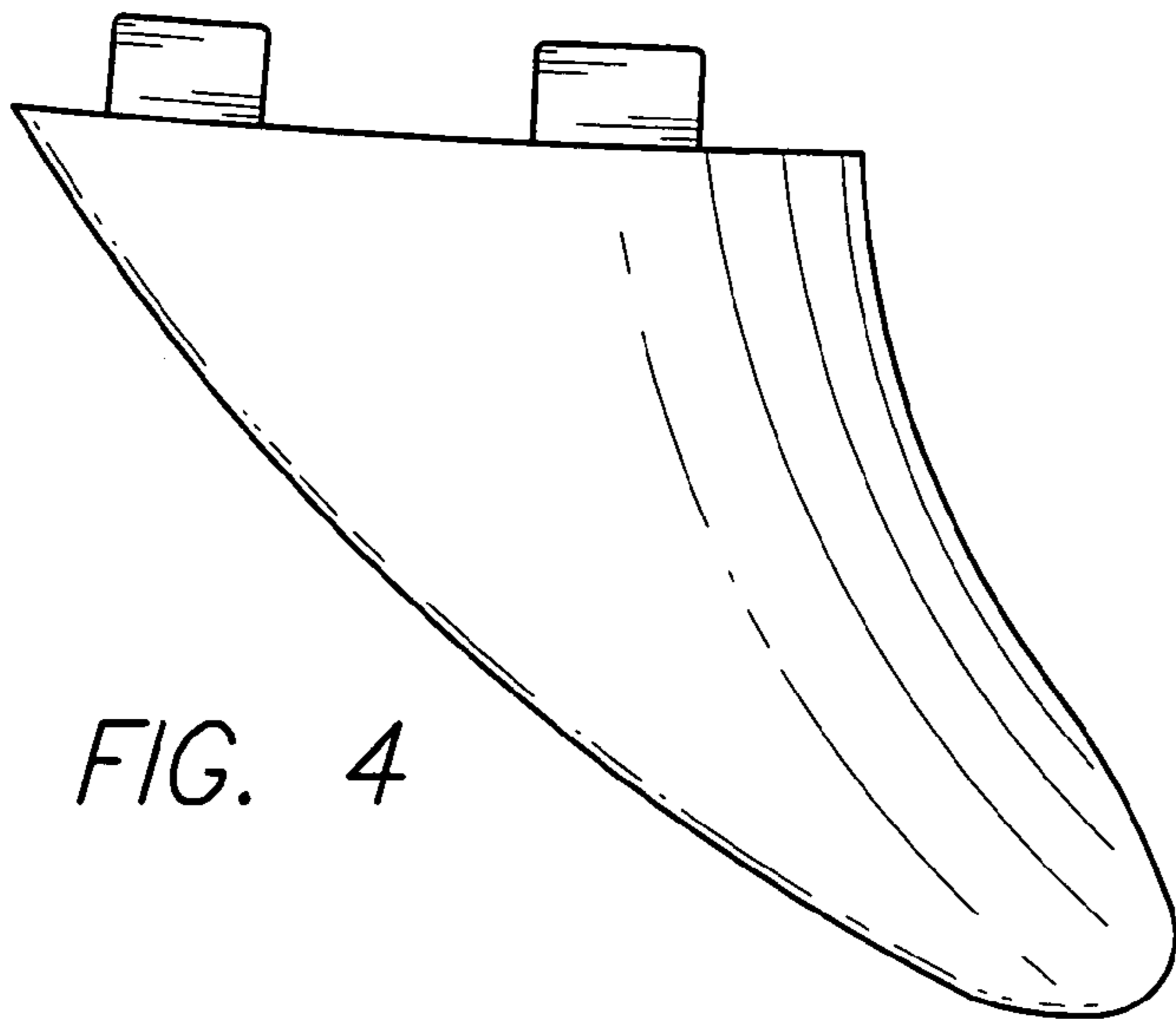


FIG. 4

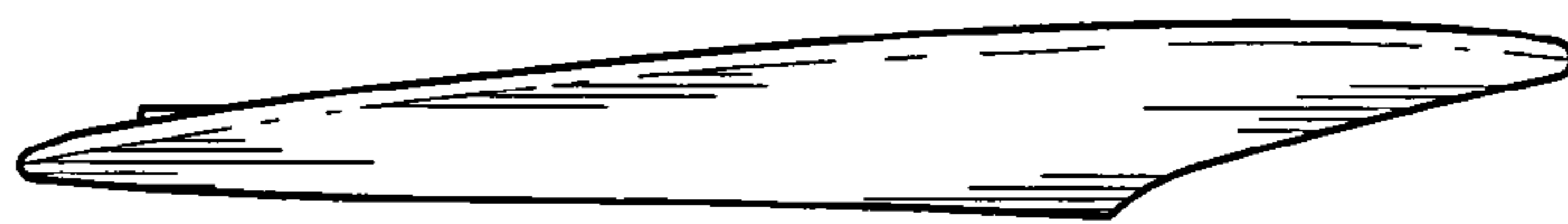


FIG. 5

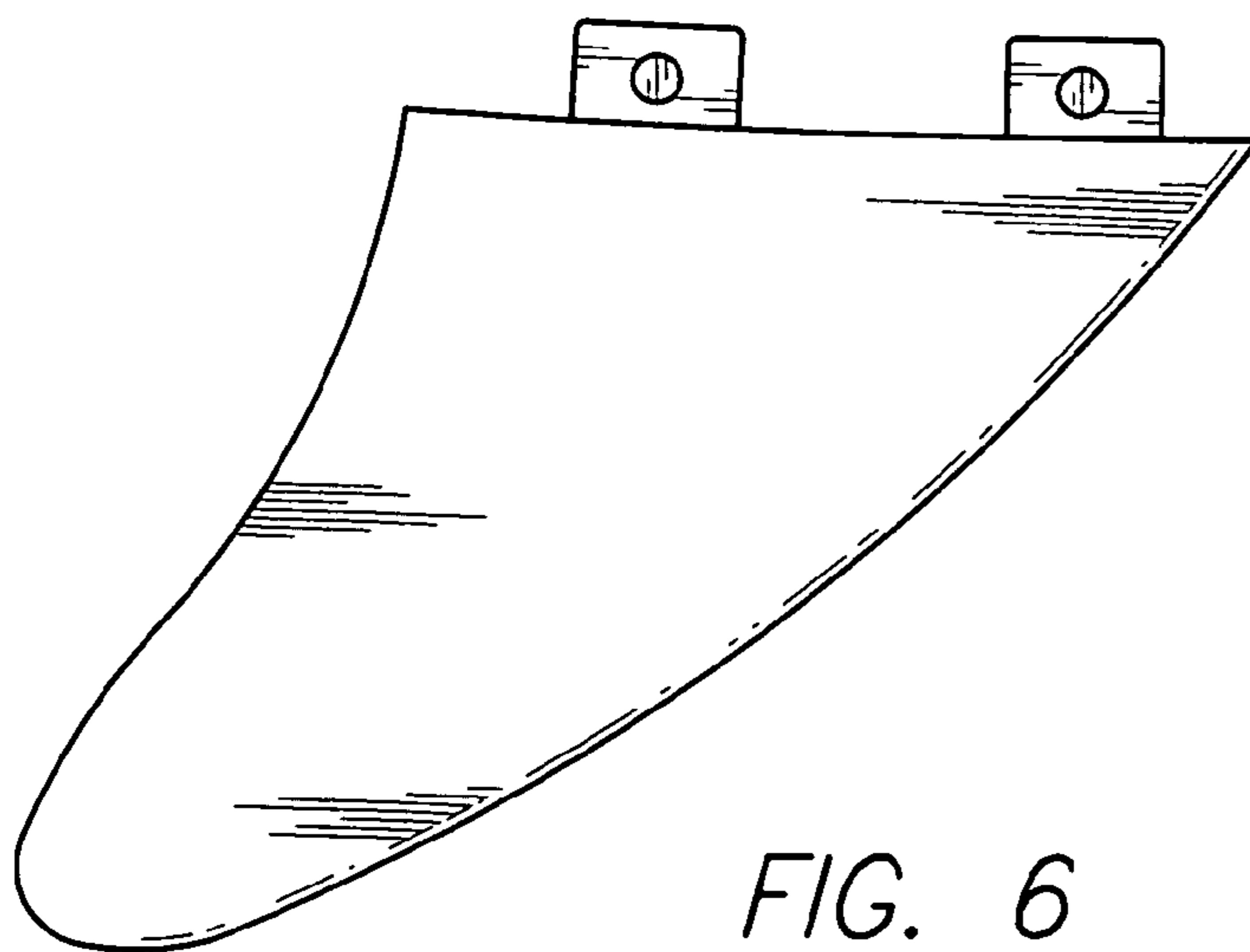


FIG. 6

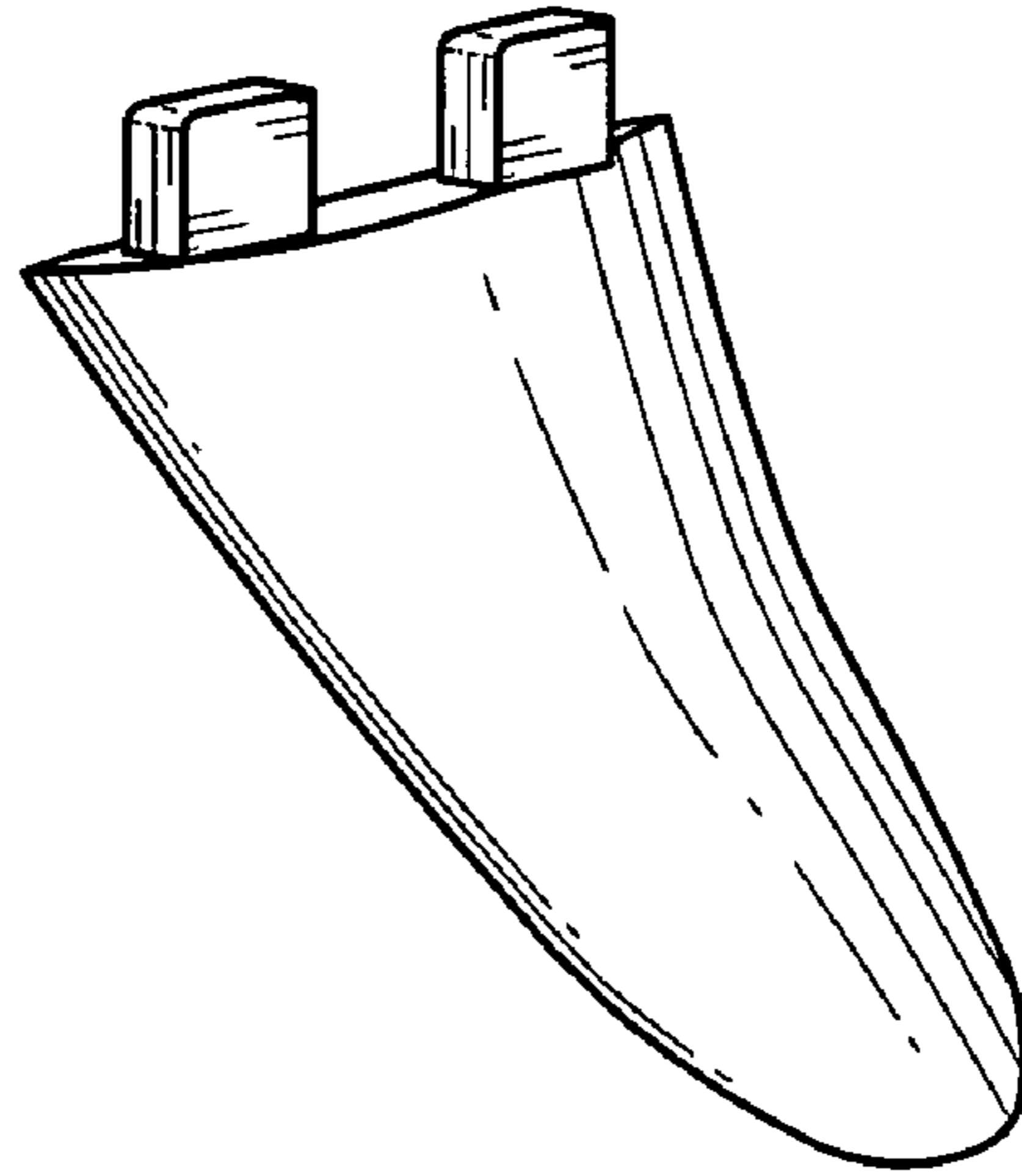


FIG. 7

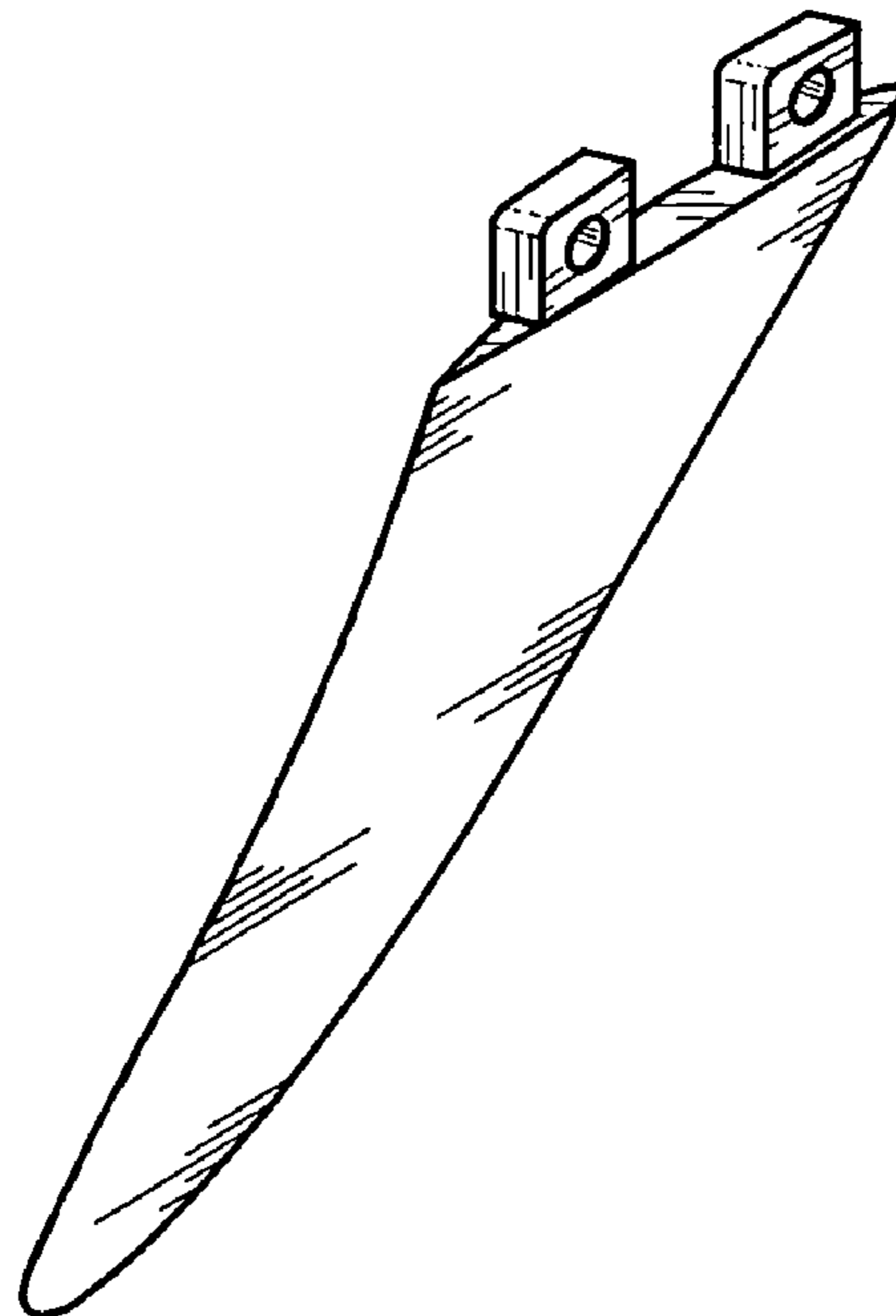


FIG. 8

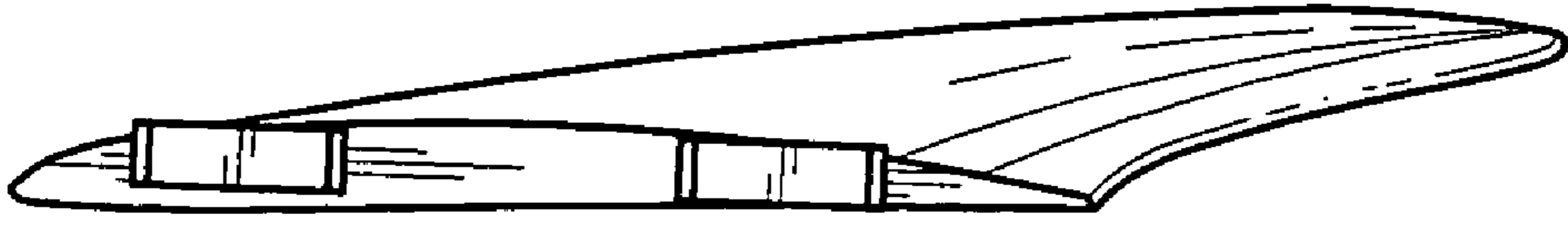


FIG. 9

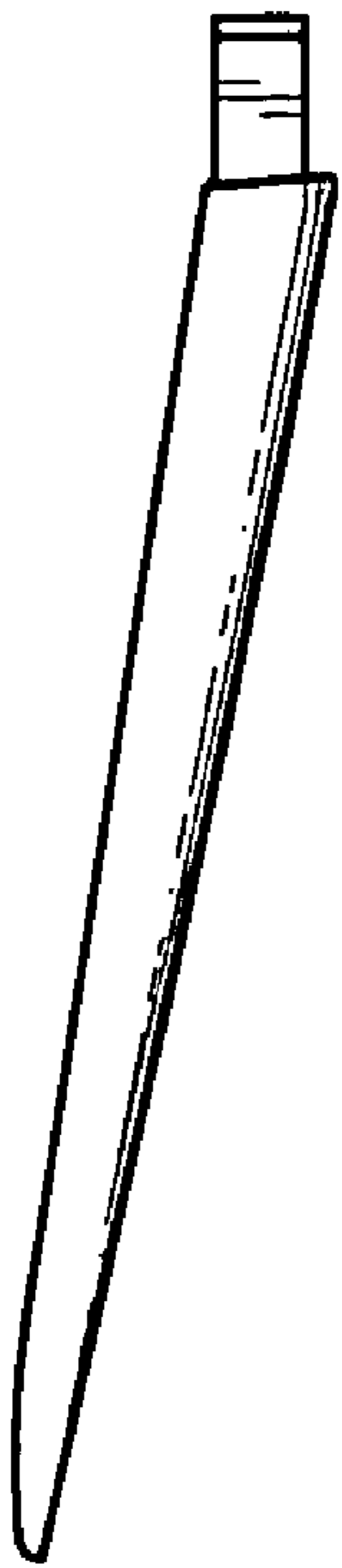


FIG. 10

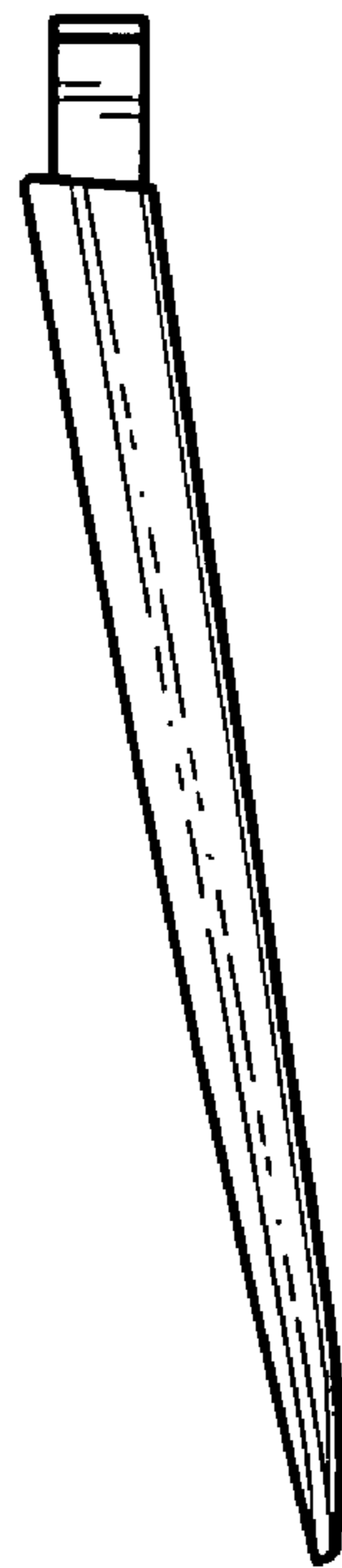


FIG. 11

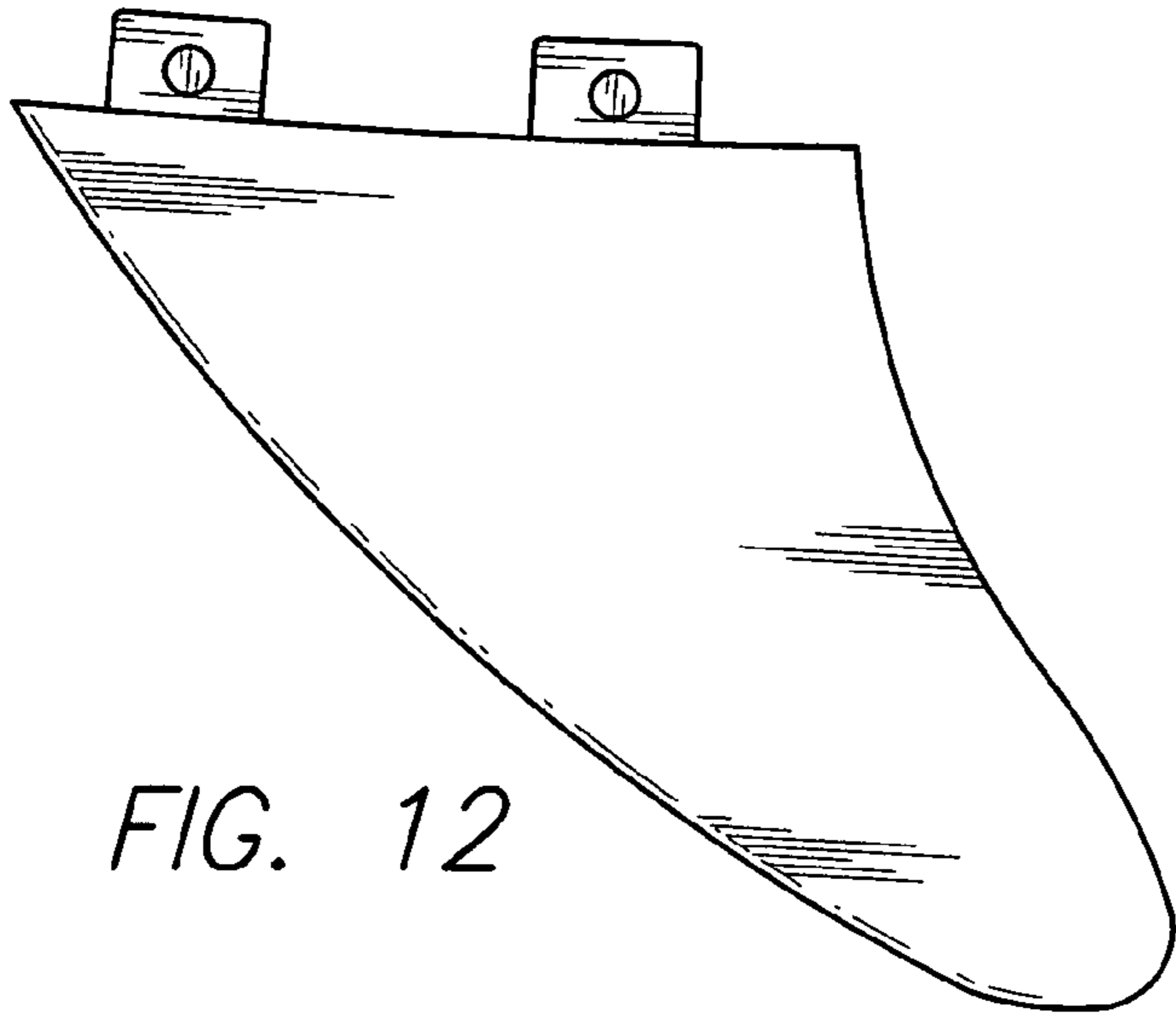


FIG. 12

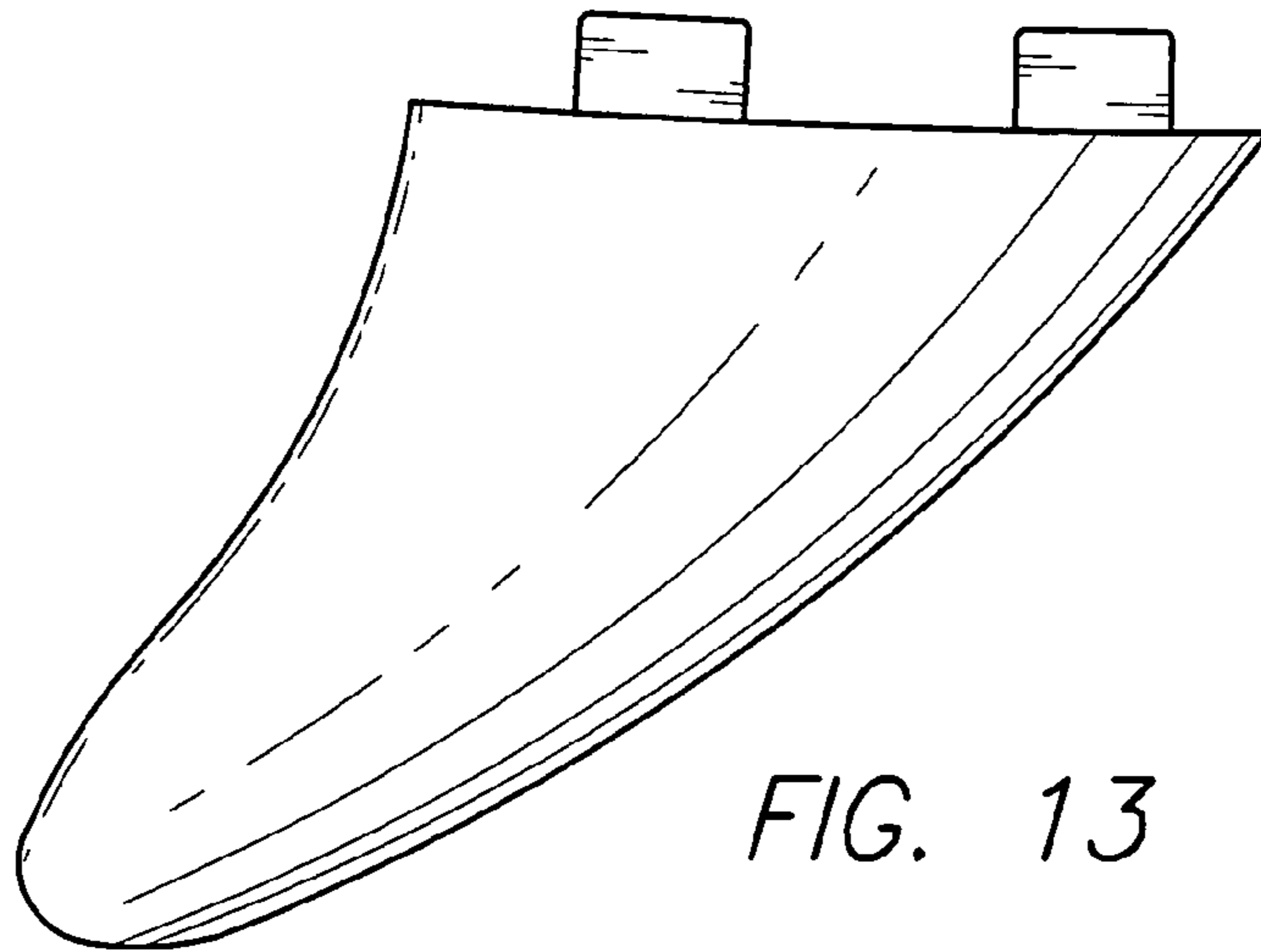


FIG. 13

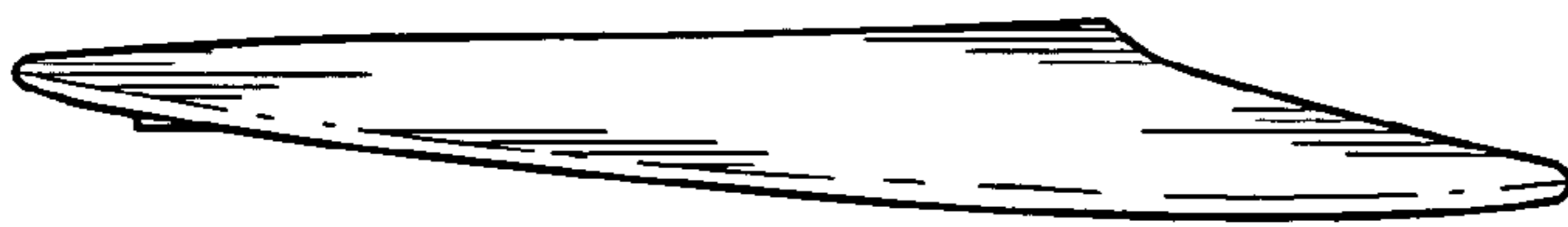


FIG. 14