



US00D546751S

(12) **United States Design Patent**  
**Laatz**

(10) **Patent No.:** **US D546,751 S**  
(45) **Date of Patent:** **\*\* Jul. 17, 2007**

(54) **MOTORCYCLE SHOCK MOUNT**

OTHER PUBLICATIONS

(75) Inventor: **Richard B. Laatz**, Las Vegas, NV (US)

Drag Specialties 2002 FatBook, White Brothers shock mounts on p. 682.\*

(73) Assignee: **KJ'S Inc.**, Las Vegas, NV (US)

\* cited by examiner

(\*\*) Term: **14 Years**

*Primary Examiner*—Alan P. Douglas

*Assistant Examiner*—Linda Brooks

(21) Appl. No.: **29/255,118**

(74) *Attorney, Agent, or Firm*—Stetina Brunda Garred & Brucker

(22) Filed: **Mar. 3, 2006**

(57) **CLAIM**

(51) **LOC (8) Cl.** ..... **12-06**

The ornamental design for a motorcycle shock mount, as shown and described.

(52) **U.S. Cl.** ..... **D12/223**

(58) **Field of Classification Search** ..... D12/110,  
D12/114, 117, 223; 180/219, 227, 228, 295,  
180/298, 299, 291, 312; 248/156, 170, 635,  
248/636, 634, 675, 638; 280/288.1–288.4,  
280/281.1, 304.3, 495; D8/349, 354; 267/52,  
267/140.11

See application file for complete search history.

**DESCRIPTION**

FIG. 1 is a left side perspective view showing the motorcycle shock mount of the present invention shown in a mounted position within a motorcycle frame shown in phantom;

FIG. 2 is a top plan view thereof;

FIG. 3 is a rear view thereof;

FIG. 4 is a right side view thereof;

FIG. 5 is a front view thereof; and,

FIG. 6 is a bottom plan view thereof.

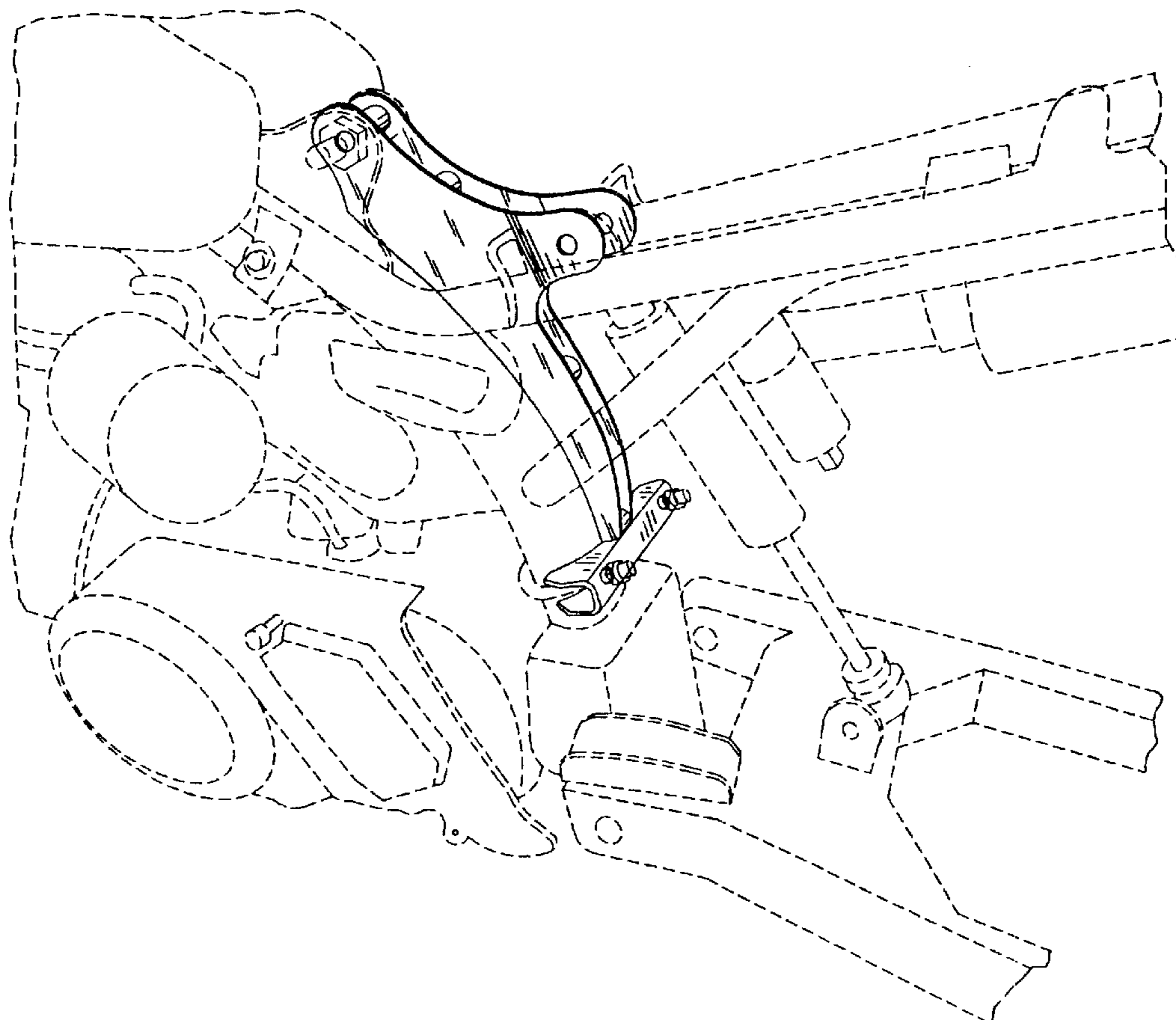
The broken lines in the drawing figures show environment and form no part of the claimed design.

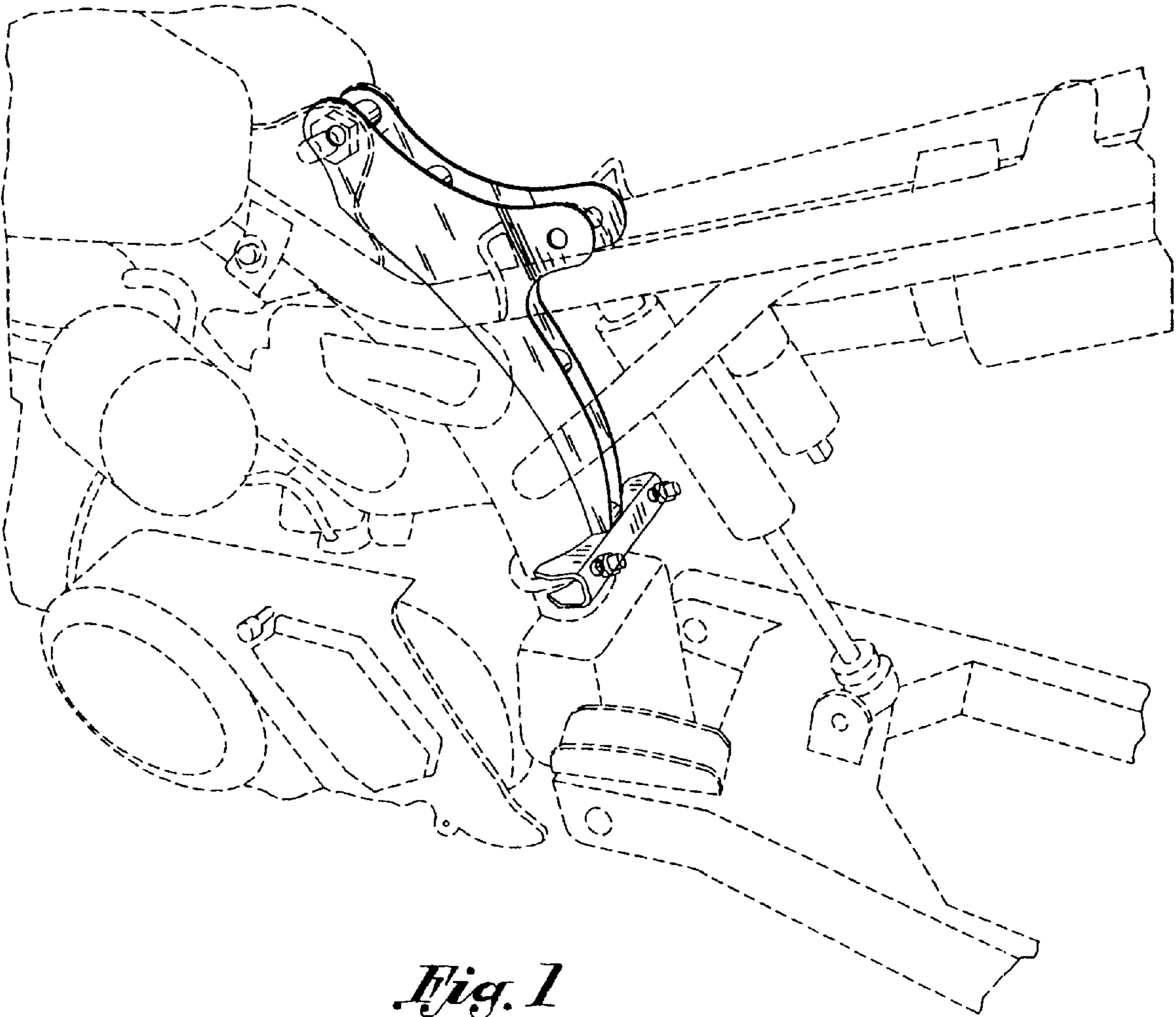
(56) **References Cited**

U.S. PATENT DOCUMENTS

5,390,758 A \* 2/1995 Hunter et al. .... 180/228  
6,588,530 B2 \* 7/2003 Keller et al. .... 180/228  
D509,462 S 9/2005 Ford

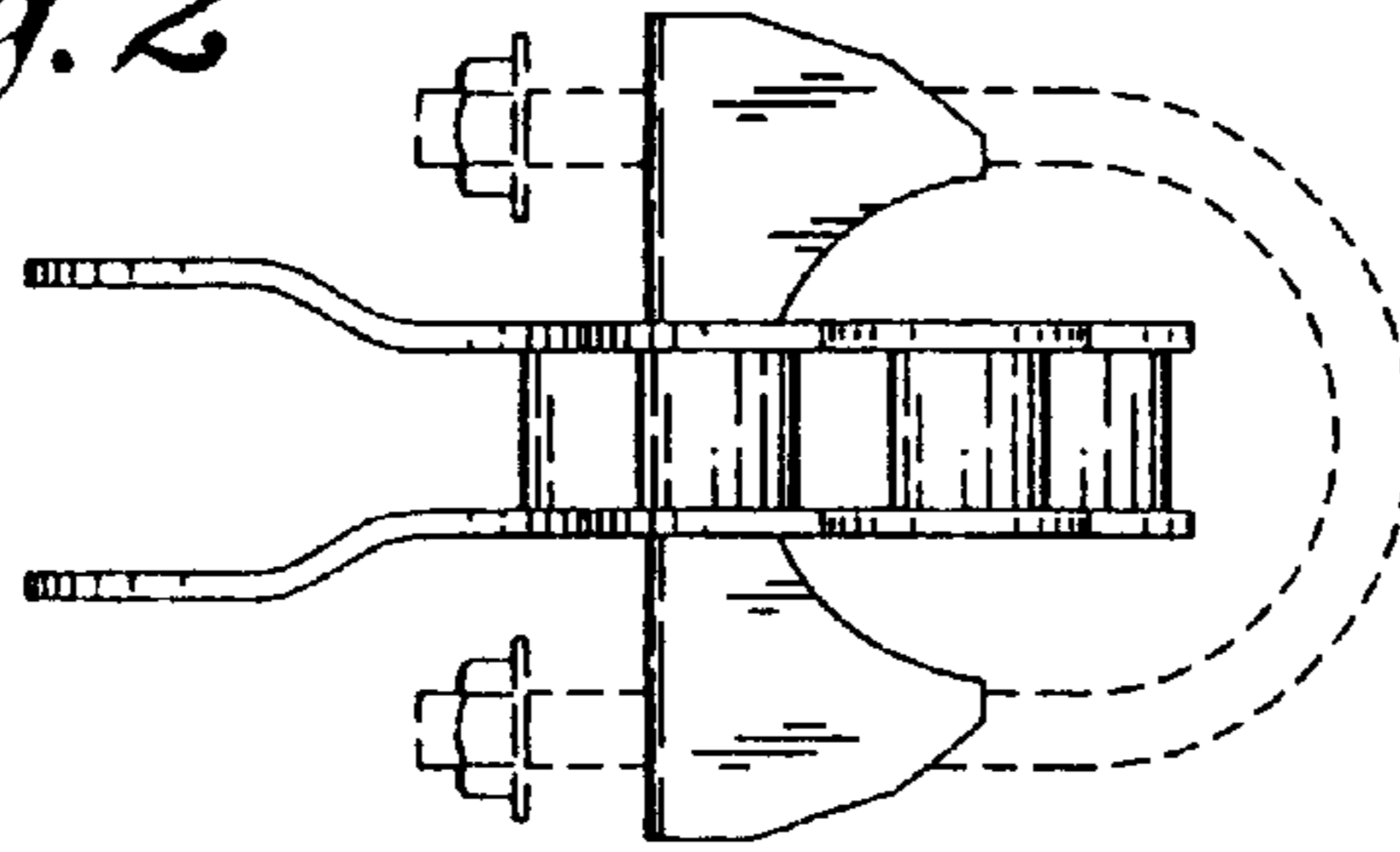
**1 Claim, 2 Drawing Sheets**



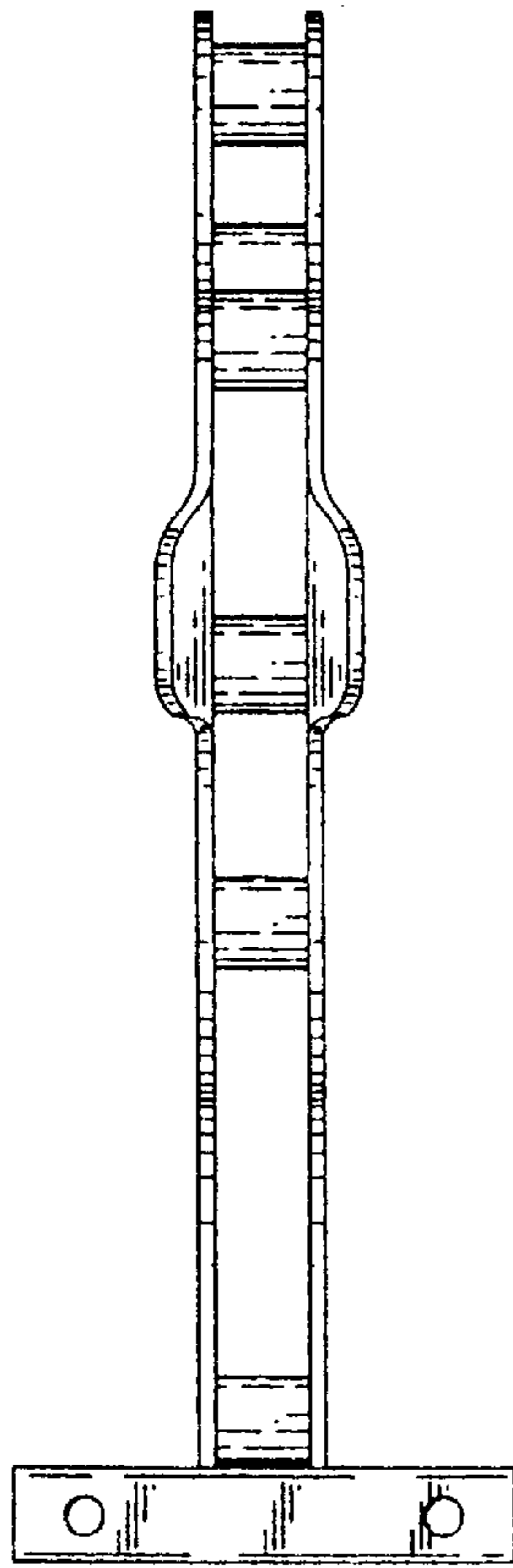


*Fig. 1*

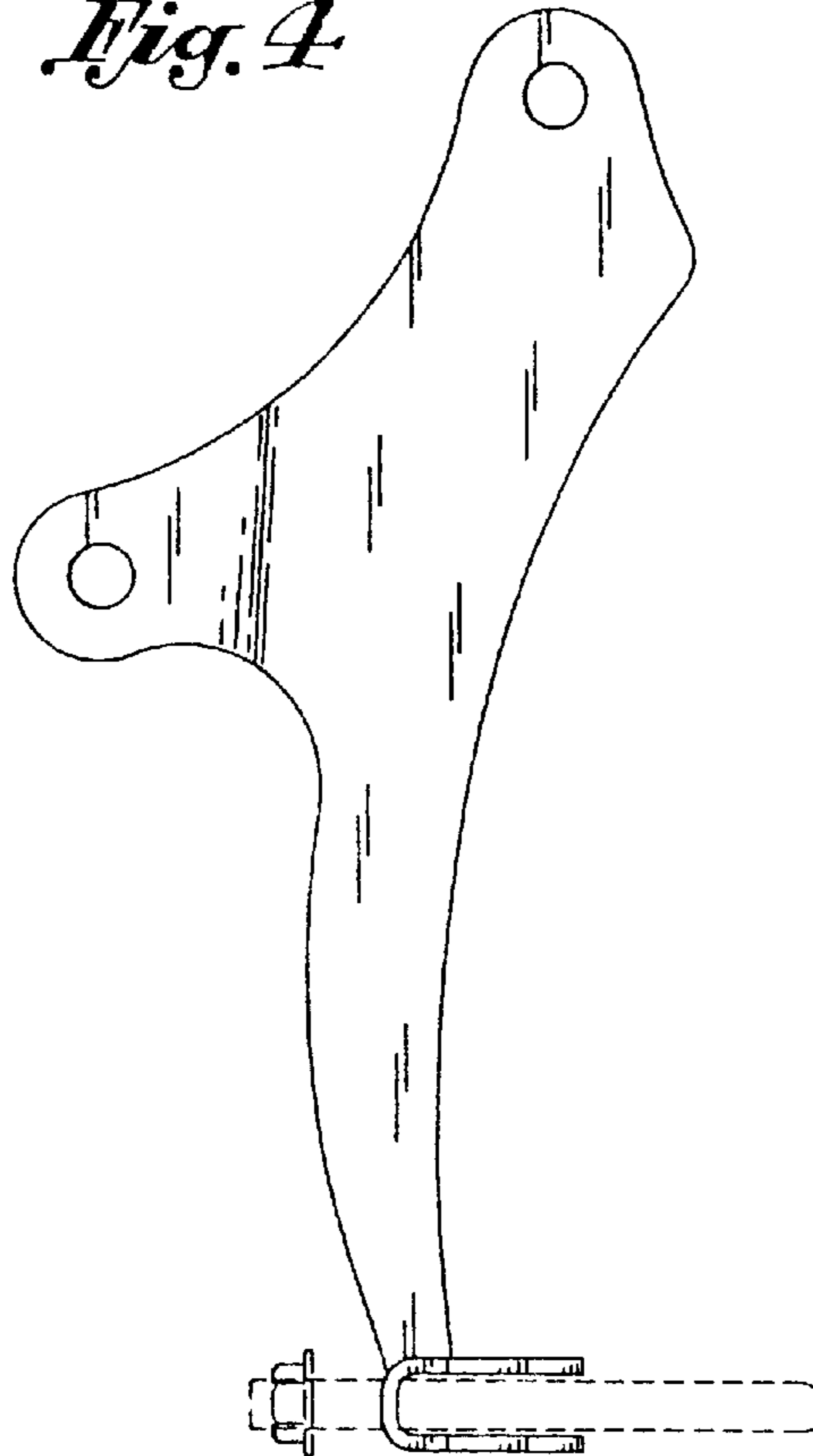
*Fig. 2*



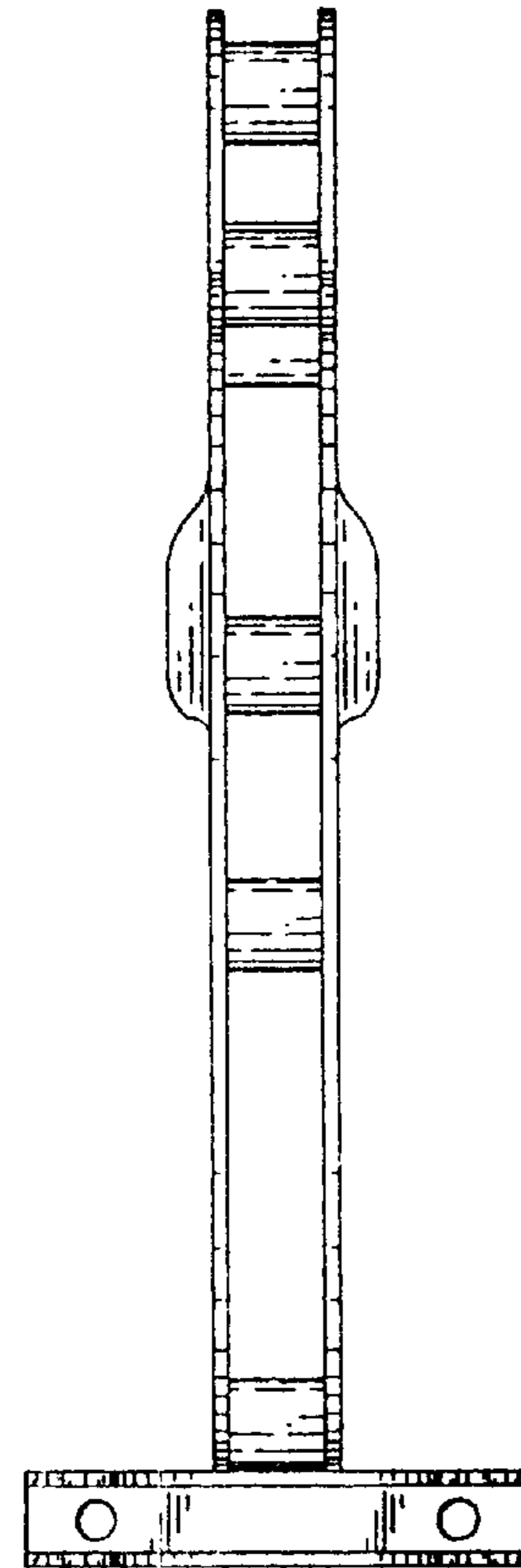
*Fig. 3*



*Fig. 4*



*Fig. 5*



*Fig. 6*

