

US00D546750S

(12) **United States Design Patent**
Kroeker

(10) **Patent No.:** **US D546,750 S**

(45) **Date of Patent:** **** Jul. 17, 2007**

(54) **VEHICLE STEERING DAMPER BRACKET**

(74) *Attorney, Agent, or Firm*—Loyal McKinley Hanson

(76) **Inventor:** **Kent L. Kroeker**, P.O. Box 2628,
Valley Center, CA (US) 92082

(57) **CLAIM**

(**) **Term:** **14 Years**

I claim the ornamental design for a vehicle steering damper bracket, as shown and described.

(21) **Appl. No.:** **29/240,113**

(22) **Filed:** **Oct. 7, 2005**

DESCRIPTION

(51) **LOC (8) Cl.** **12-06**

(52) **U.S. Cl.** **D12/223**

(58) **Field of Classification Search** D12/223;
D8/72, 382, 394; 285/24, 105
See application file for complete search history.

FIG. 1 of the drawings is a perspective view showing the front, top, and right side of a vehicle steering damper bracket embodying the design of my invention;

FIG. 2 is a front view;

FIG. 3 is a top view;

FIG. 4 is a right side view;

FIG. 5 is a left side view;

FIG. 6 is a back view;

FIG. 7 is a bottom view; and,

FIG. 8 is a reduced front environmental view of the vehicle steering damper bracket. The broken lines are for illustrative purposes and forms no part of the claimed design.

(56) **References Cited**

U.S. PATENT DOCUMENTS

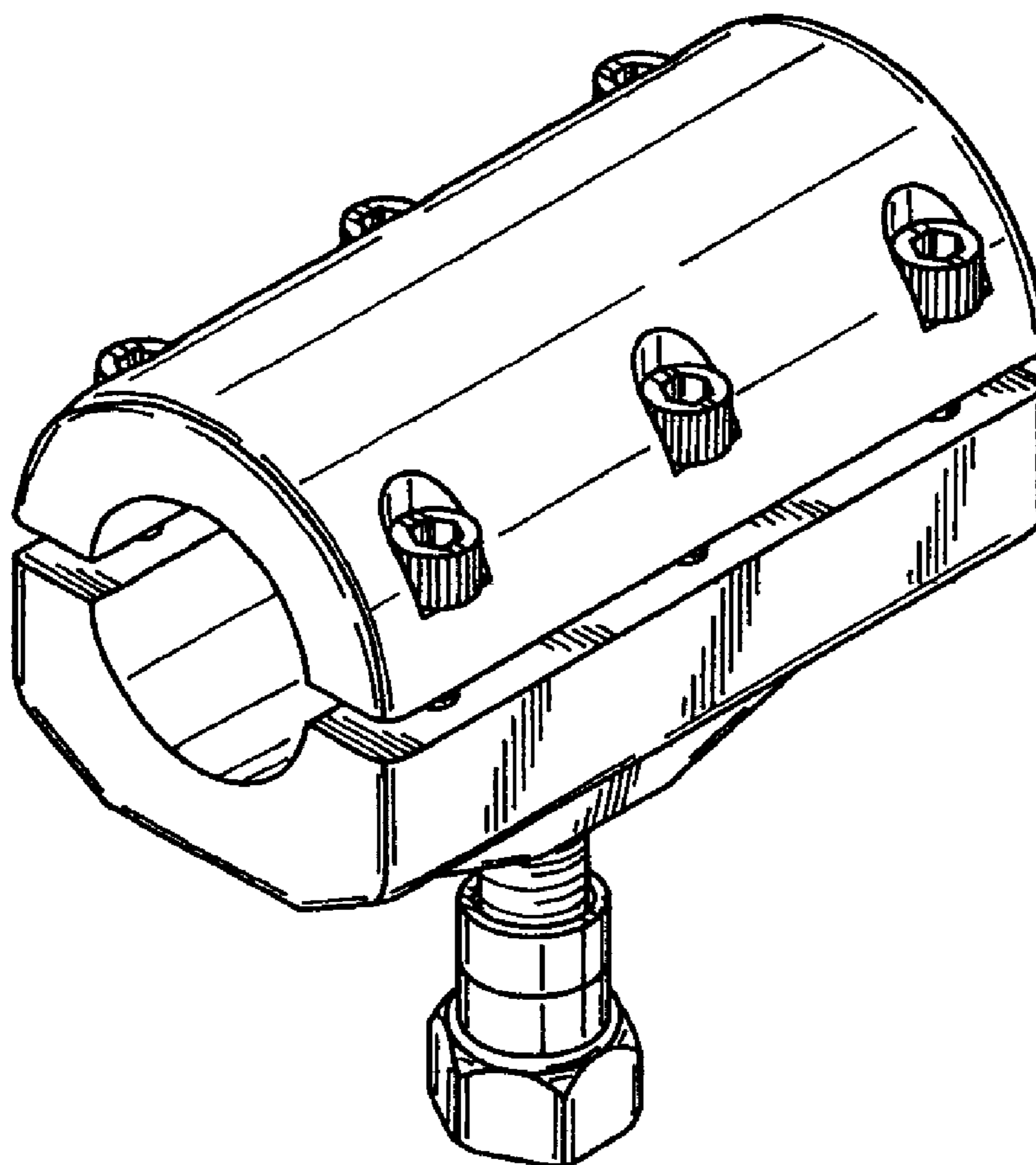
- D353,986 S * 1/1995 Maglica D8/72
- D438,781 S * 3/2001 Leach D8/394
- D451,984 S * 12/2001 Tigerholm D23/262
- D451,985 S * 12/2001 Tigerholm D23/262
- D455,950 S * 4/2002 Unwin et al. D8/382

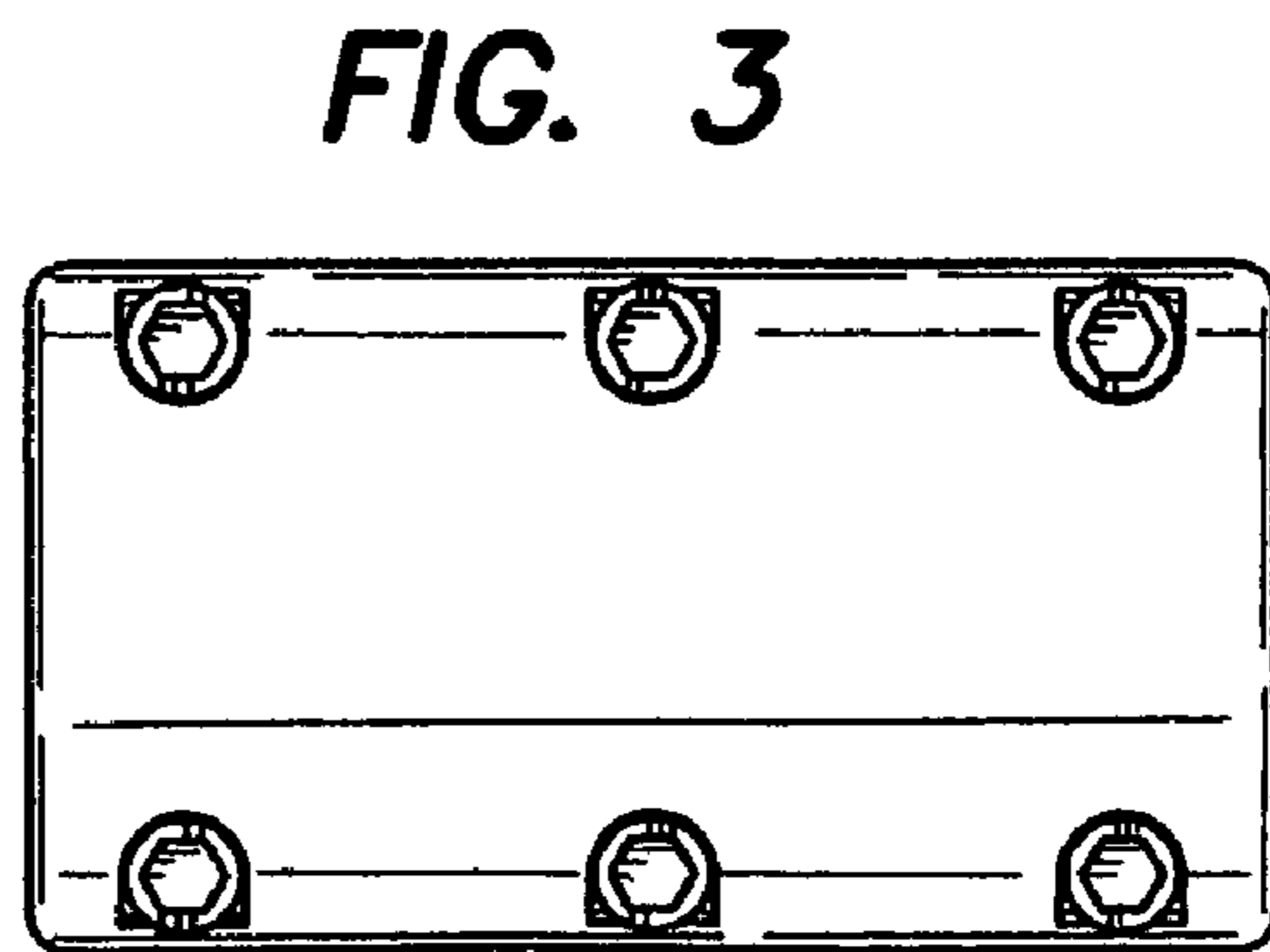
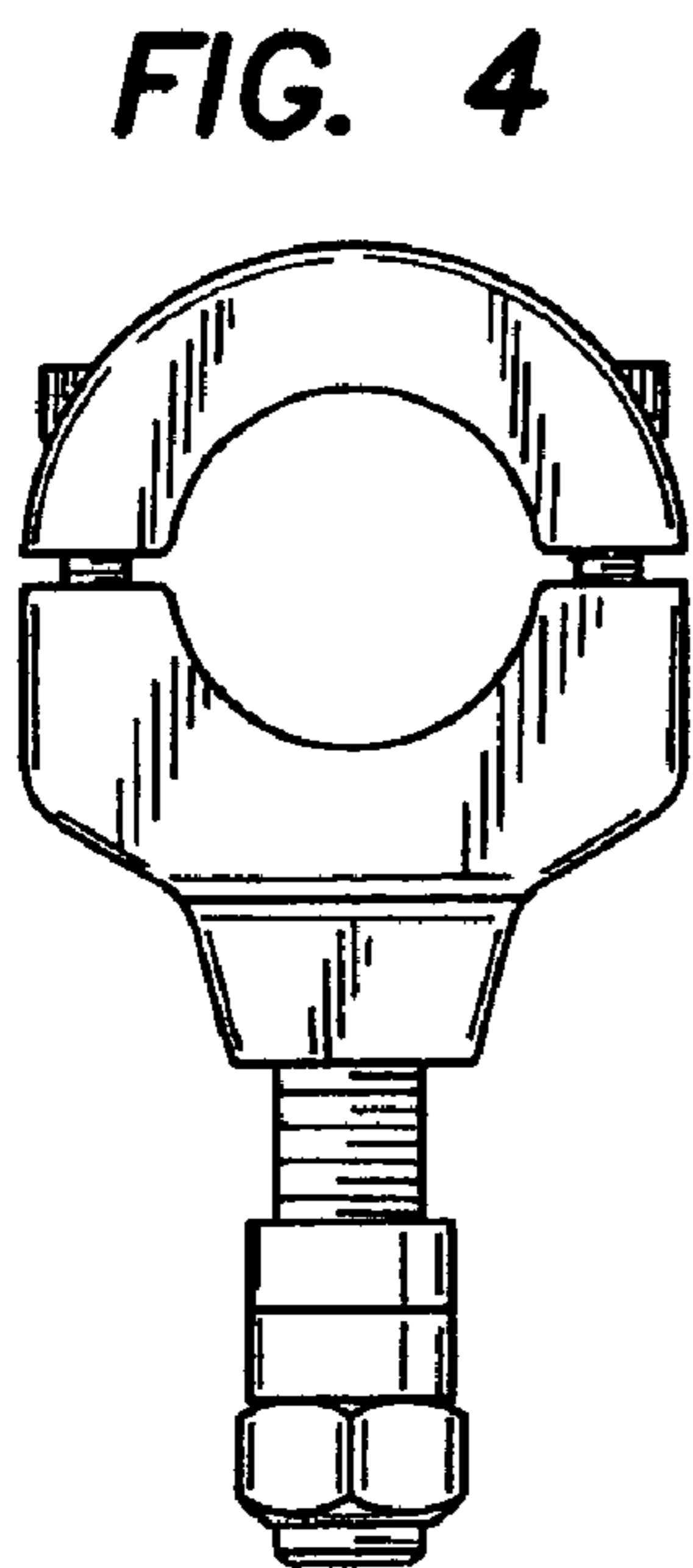
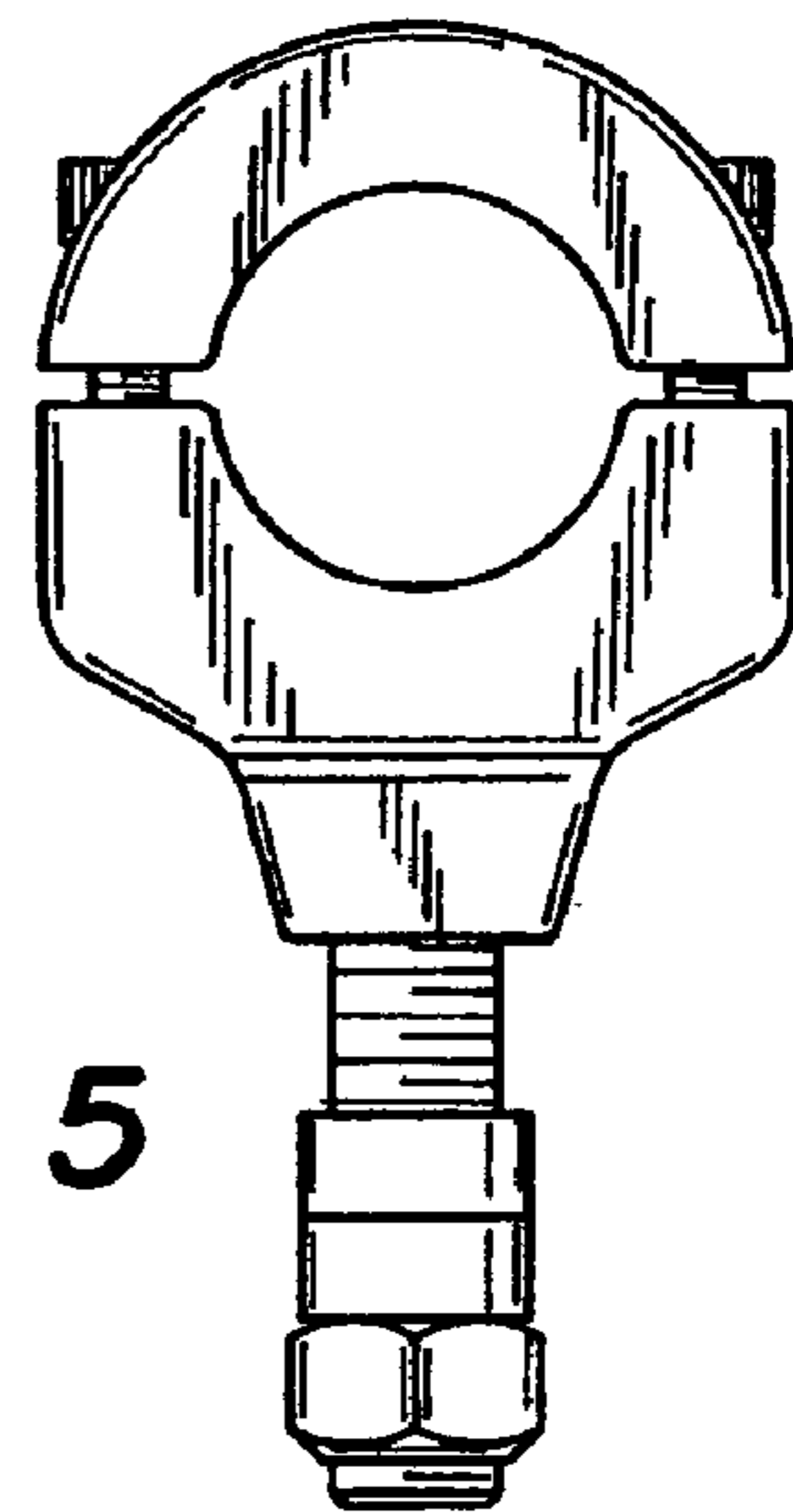
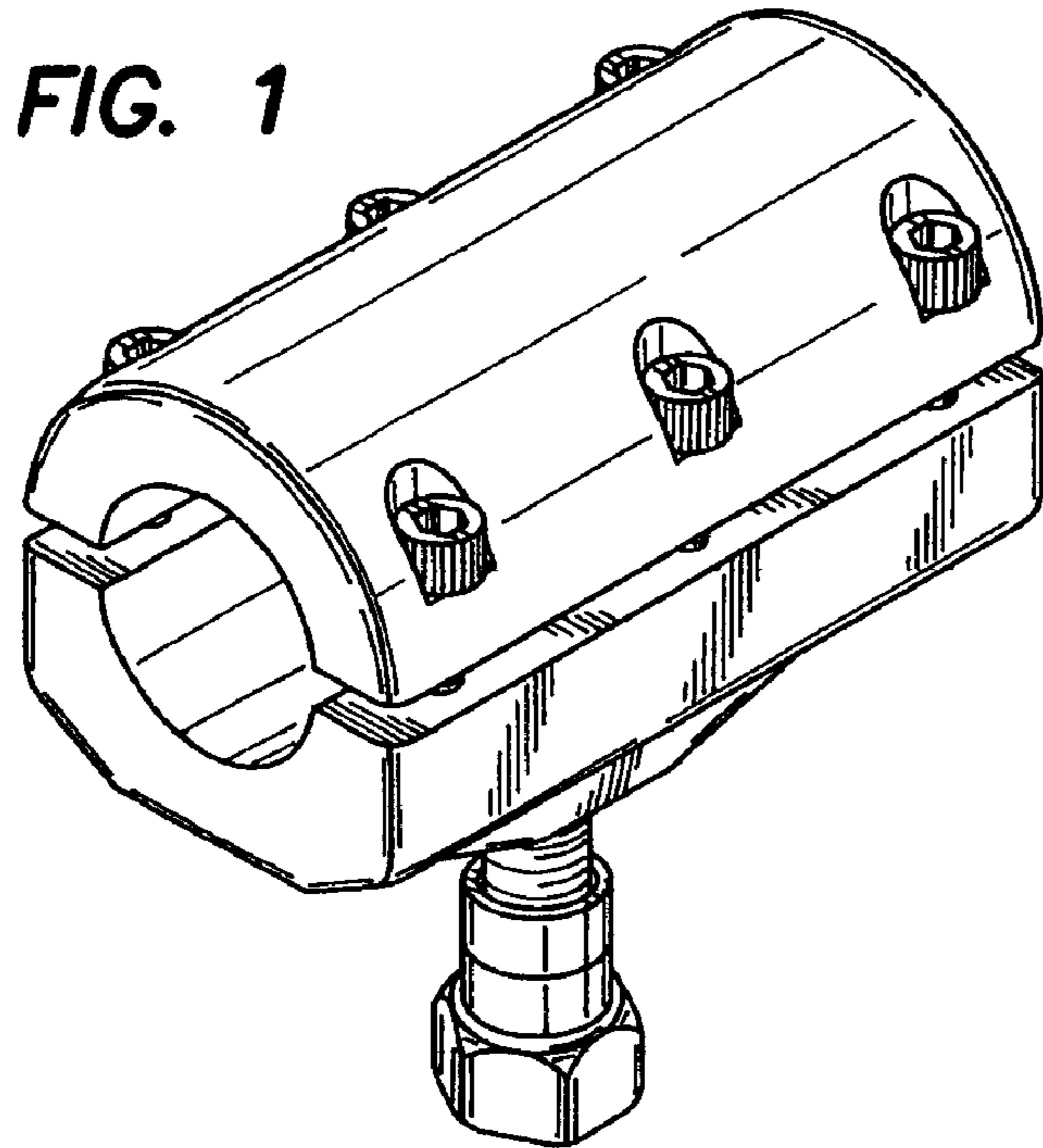
* cited by examiner

Primary Examiner—Holly H. Baynham

Assistant Examiner—Sheryl Friedman

1 Claim, 3 Drawing Sheets





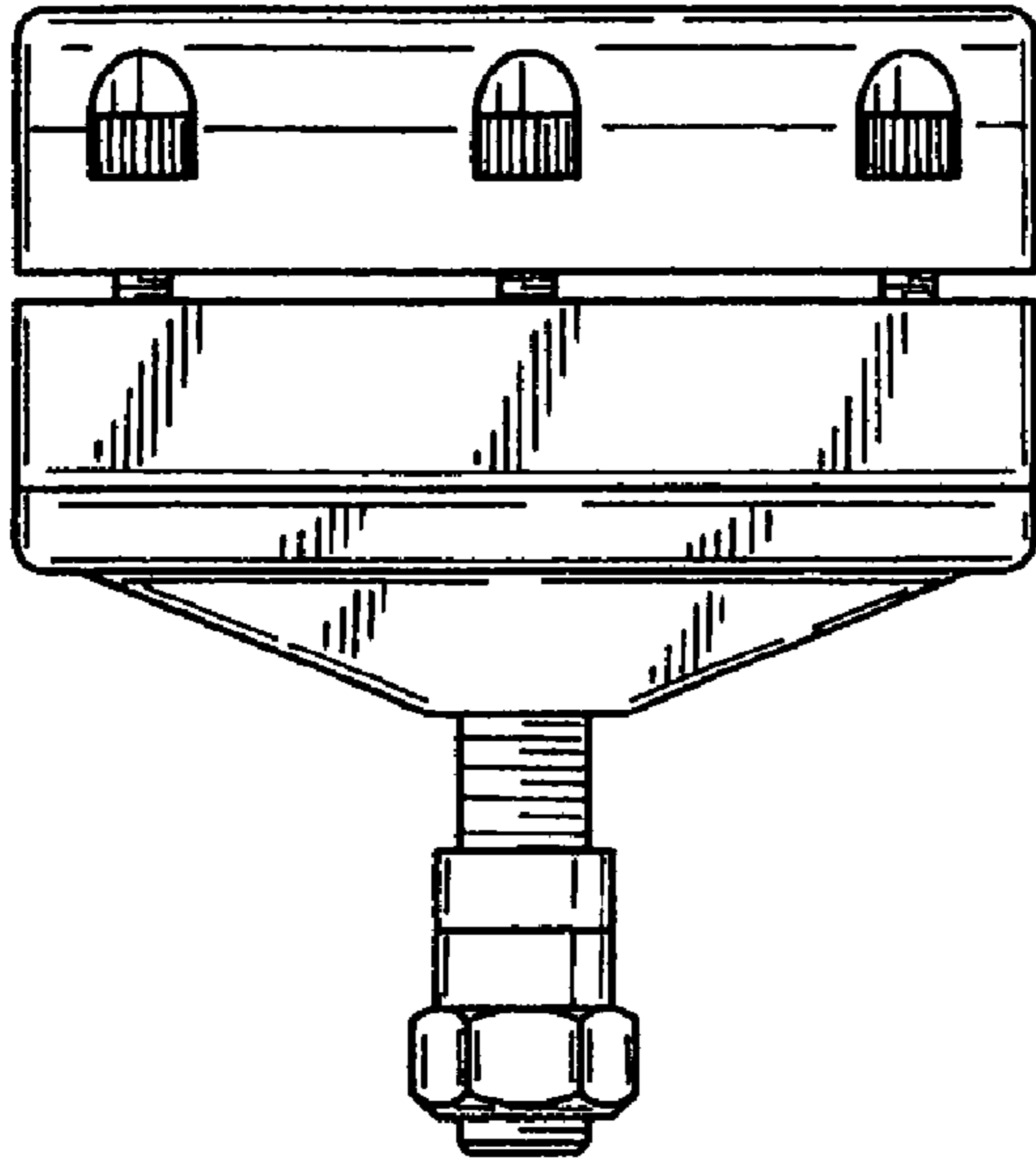


FIG. 2

FIG. 6

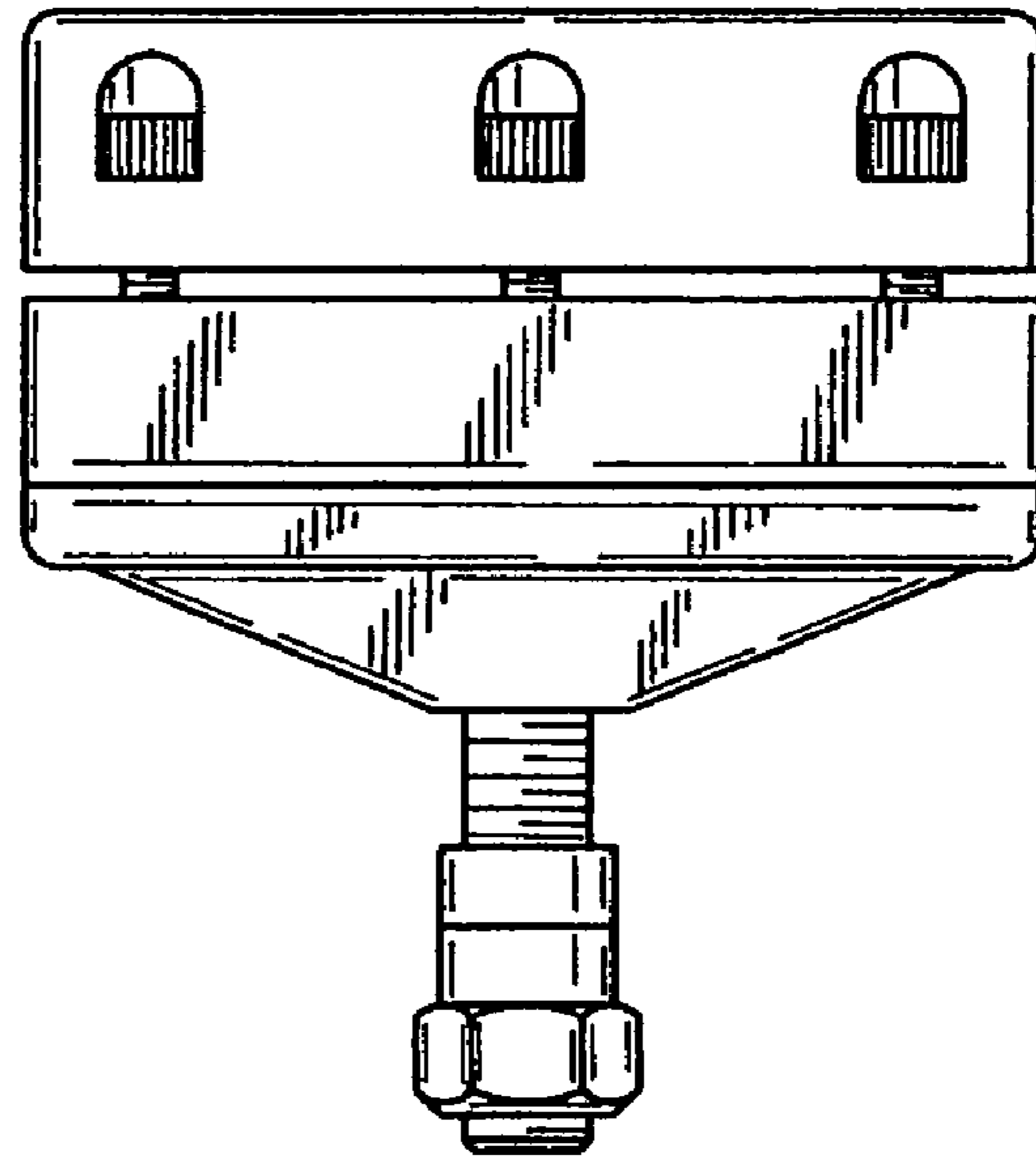
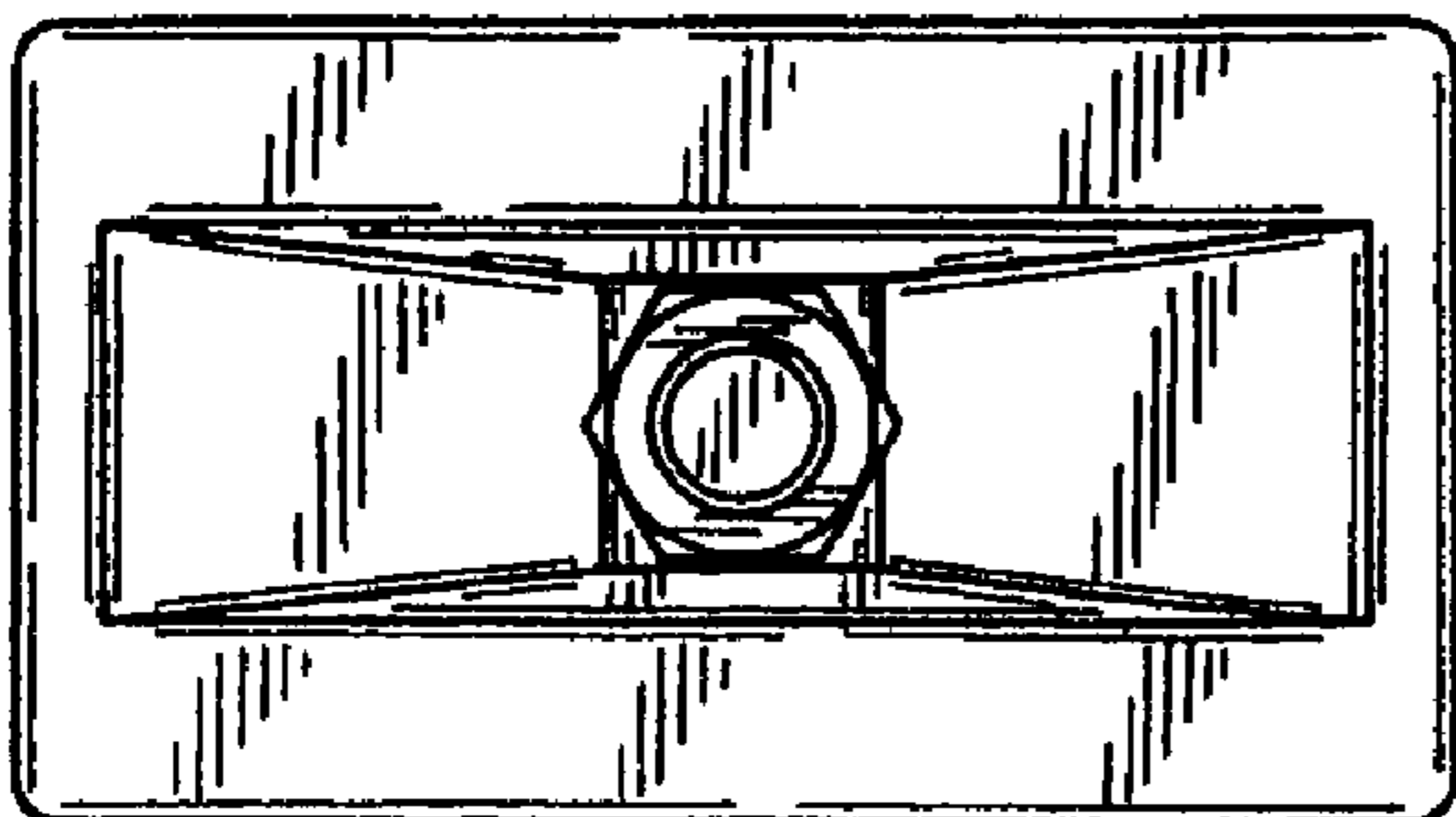


FIG. 7



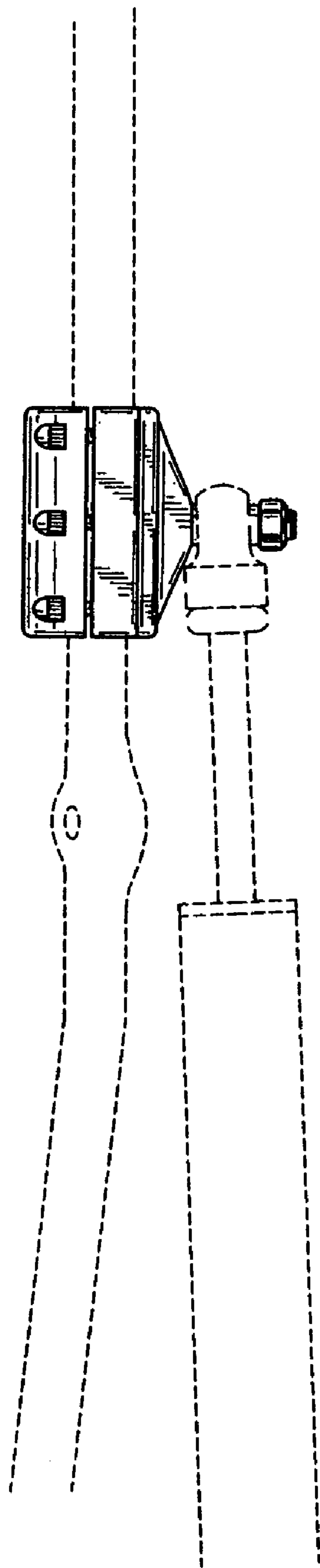


FIG. 8