



US00D546748S

(12) **United States Design Patent**
Young

(10) **Patent No.:** **US D546,748 S**

(45) **Date of Patent:** **** Jul. 17, 2007**

(54) **AUTOMOTIVE WHEEL**

(75) Inventor: **Philip B. Young**, Industry, CA (US)

(73) Assignee: **Master Pacific**, Shanghai (CN)

(**) Term: **14 Years**

(21) Appl. No.: **29/269,596**

(22) Filed: **Dec. 4, 2006**

(51) **LOC (8) Cl.** **12-16**

(52) **U.S. Cl.** **D12/211**

(58) **Field of Classification Search** D12/204-213;
301/37.101, 64.101, 65

See application file for complete search history.

(56) **References Cited**

U.S. PATENT DOCUMENTS

- D432,071 S * 10/2000 Brown D12/211
- D471,504 S * 3/2003 Laengerer D12/211
- D500,005 S * 12/2004 van Hooydonk D12/211
- D516,491 S * 3/2006 Noriega D12/211

- D516,676 S * 3/2006 Wano D23/241
- D524,713 S * 7/2006 Brouillette et al. D12/211
- D526,948 S * 8/2006 Truebsbach D12/211
- D527,335 S * 8/2006 Kim D12/211
- D528,062 S * 9/2006 Hosoi D12/211
- D533,827 S * 12/2006 Aydin D12/211

* cited by examiner

Primary Examiner—Stacia Cadmus

(57) **CLAIM**

The ornamental design for an automotive wheel, as shown and described.

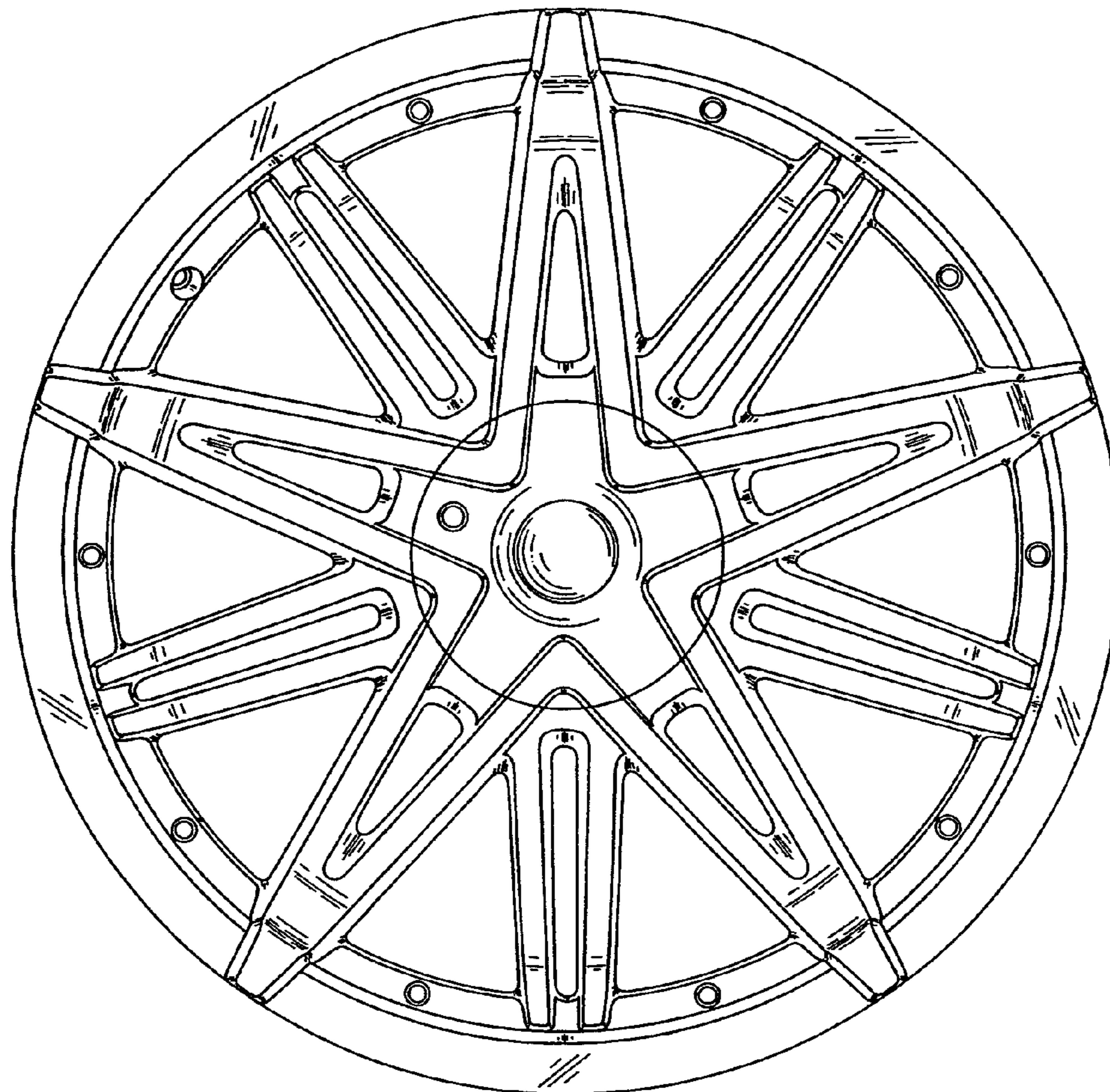
DESCRIPTION

FIG. 1 is a perspective view of an automotive wheel showing my new design; and,

FIG. 2 is a front elevational view of an automotive wheel showing the design herein described.

The broken lines showing the environment are for illustrative purposes only, and form no part of the claimed design.

1 Claim, 2 Drawing Sheets



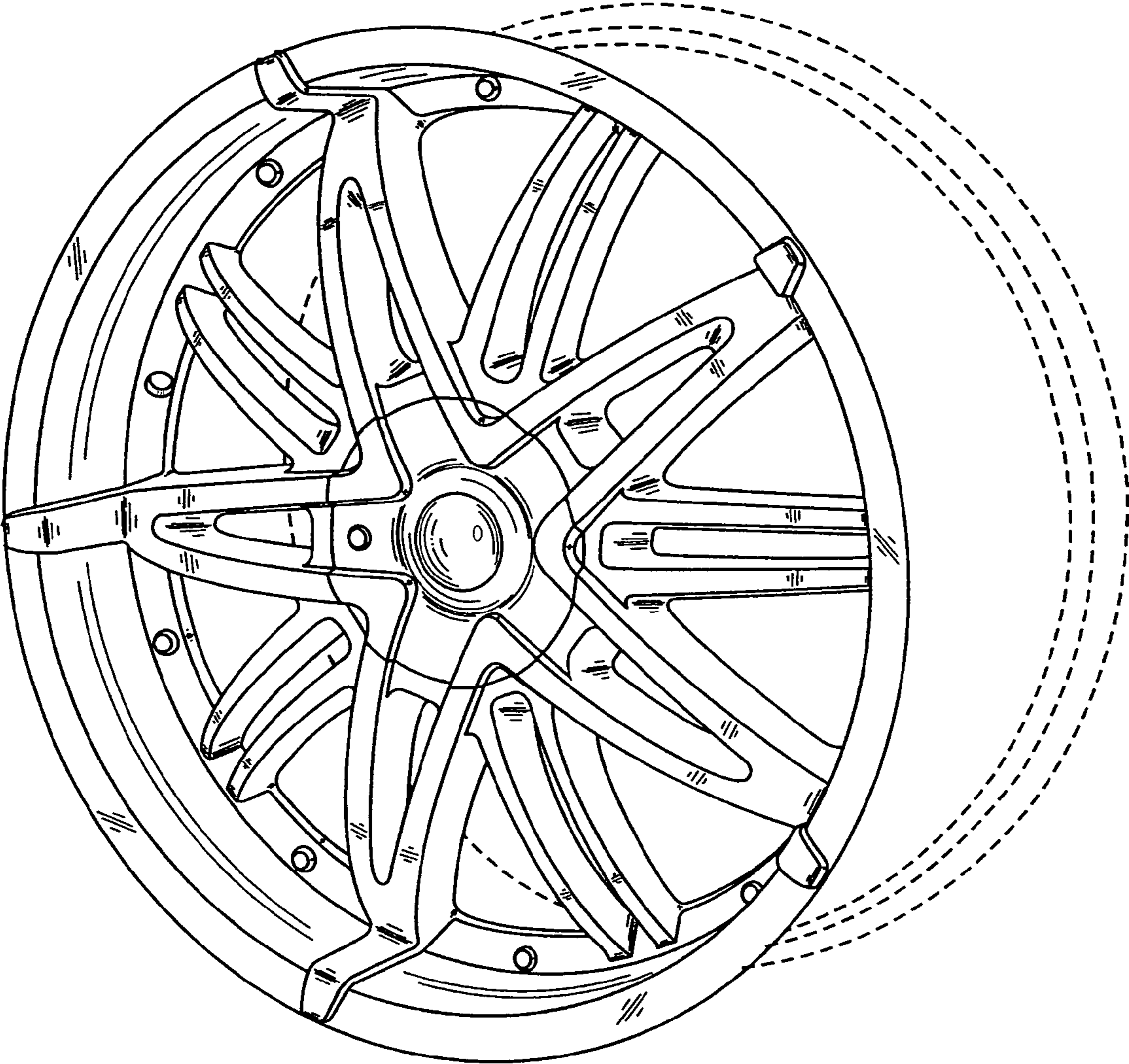


Fig. 1

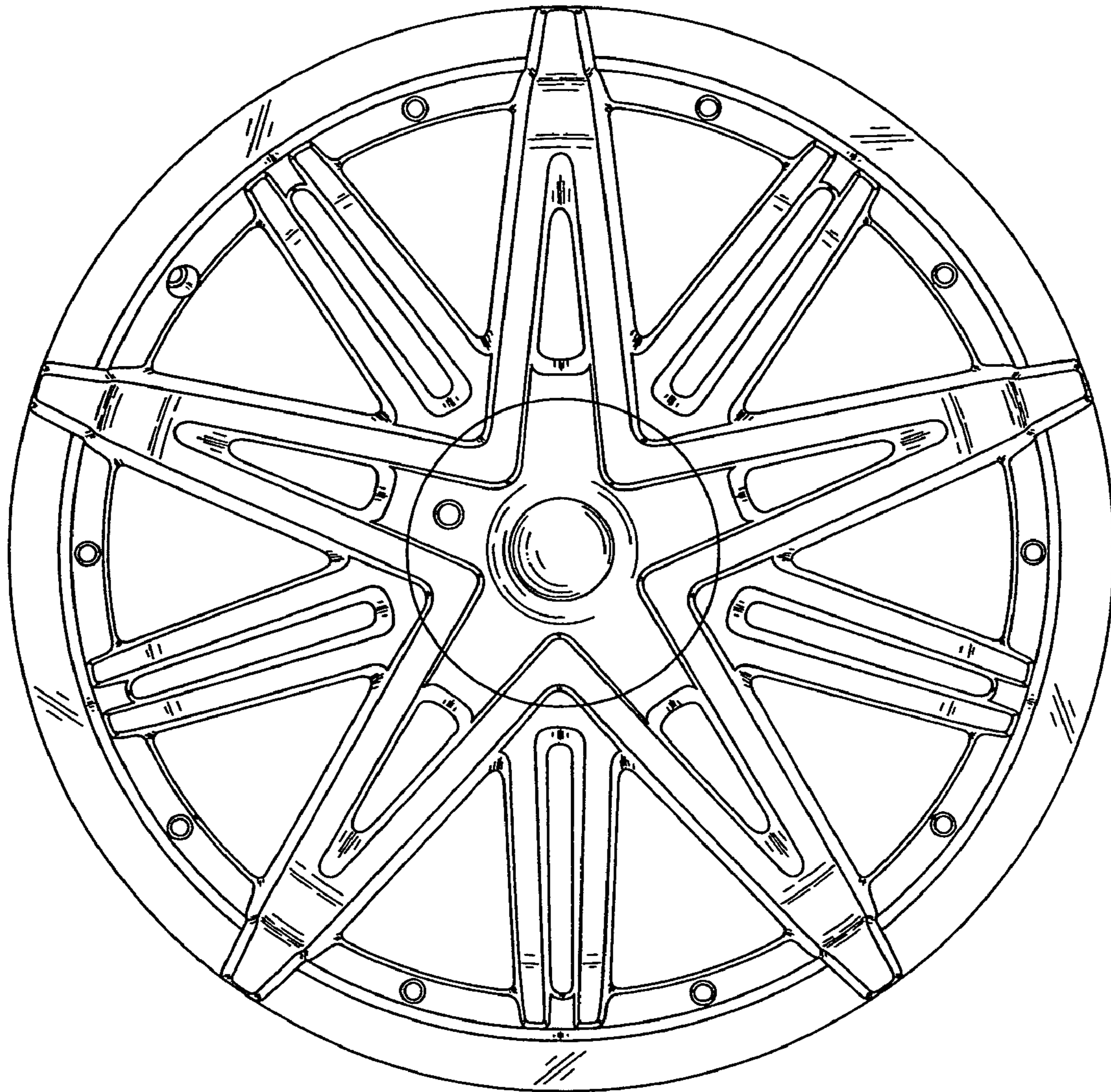


Fig. 2