



US00D546747S

(12) **United States Design Patent**
Pfeiffer

(10) **Patent No.:** **US D546,747 S**

(45) **Date of Patent:** **** Jul. 17, 2007**

(54) **FRONT FACE OF A VEHICLE WHEEL**

(75) Inventor: **Peter Pfeiffer**, Boeblingen (DE)

(73) Assignee: **DaimlerChrysler AG**, Stuttgart (DE)

(**) Term: **14 Years**

(21) Appl. No.: **29/267,526**

(22) Filed: **Oct. 17, 2006**

(30) **Foreign Application Priority Data**

Apr. 18, 2006 (EM) 513858-0005

(51) **LOC (8) Cl.** **12-16**

(52) **U.S. Cl.** **D12/211**

(58) **Field of Classification Search** D12/204–213;
301/37.101, 64.101, 65

See application file for complete search history.

(56) **References Cited**

U.S. PATENT DOCUMENTS

D360,179 S *	7/1995	Fuller	D12/211
D409,968 S *	5/1999	Goplen	D12/211
D454,531 S *	3/2002	Amatino	D12/211
D471,144 S *	3/2003	Pfeiffer	D12/209
D476,284 S *	6/2003	Pfeiffer et al.	D12/211
D479,177 S *	9/2003	Nordmann	D12/211
D504,651 S *	5/2005	Johnson	D12/211
D507,775 S *	7/2005	Pfeiffer	D12/211
D510,307 S *	10/2005	Howes	D12/209
D512,360 S *	12/2005	Boyer	D12/211

D512,675 S *	12/2005	Nagashima	D12/209
D513,726 S *	1/2006	Kamimura	D12/211
D514,999 S *	2/2006	Boyer	D12/209
D523,798 S *	6/2006	Szavits	D12/209
D524,214 S *	7/2006	Pfeiffer et al.	D12/211
D525,578 S *	7/2006	Schell	D12/211
D527,326 S *	8/2006	Pfeiffer	D12/209
D527,328 S *	8/2006	Pfeiffer	D12/211
D530,251 S *	10/2006	Gabath	D12/209
D538,729 S *	3/2007	Pfeiffer	D12/209
D538,730 S *	3/2007	Turner	D12/209

* cited by examiner

Primary Examiner—Stacia Cadmus

(74) *Attorney, Agent, or Firm*—Crowell & Moring LLP

(57) **CLAIM**

The ornamental design for a front face of a vehicle wheel, as shown and described.

DESCRIPTION

FIG. 1 is a front view of a first embodiment of a front face of a vehicle wheel according to my novel design; and

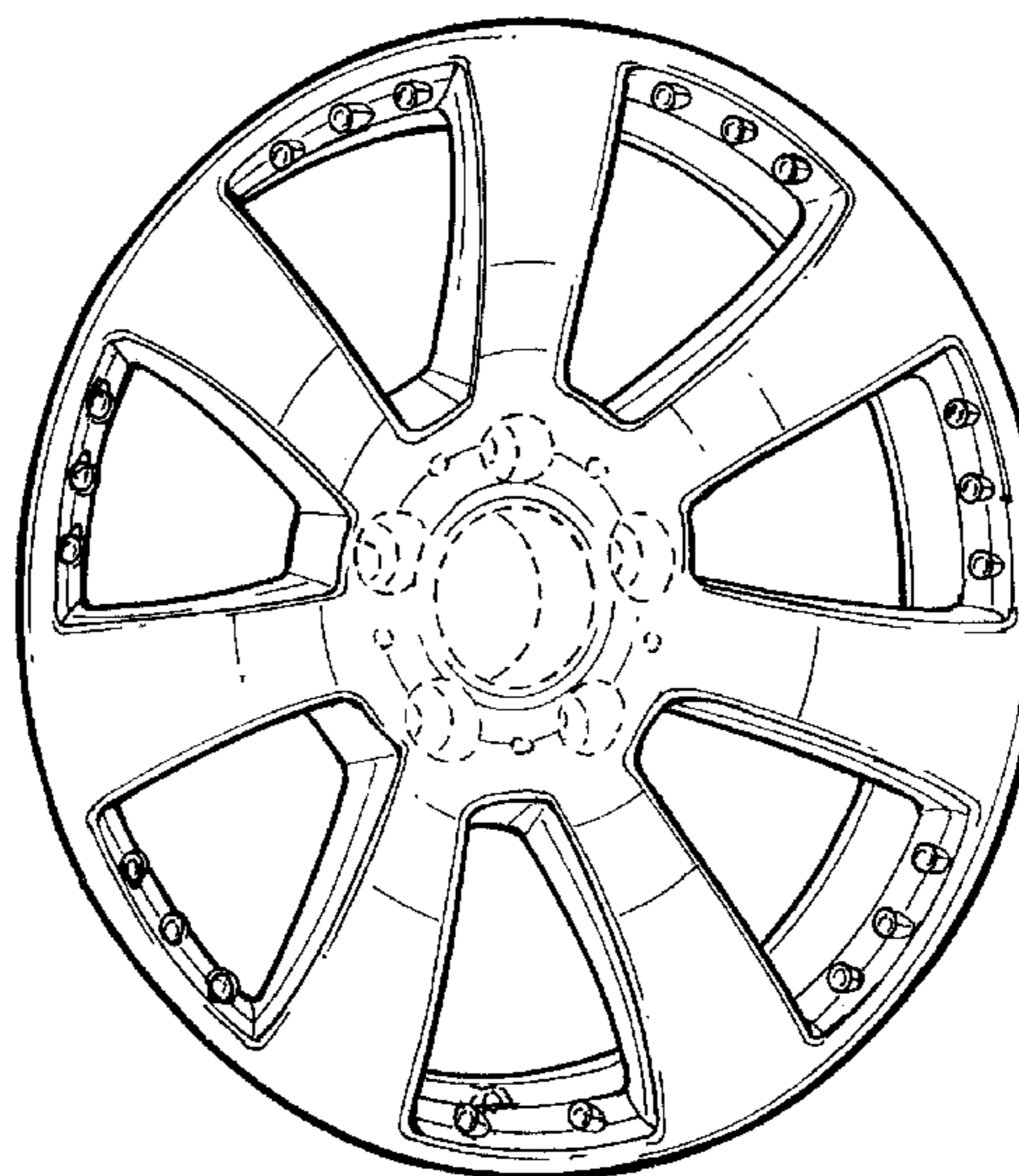
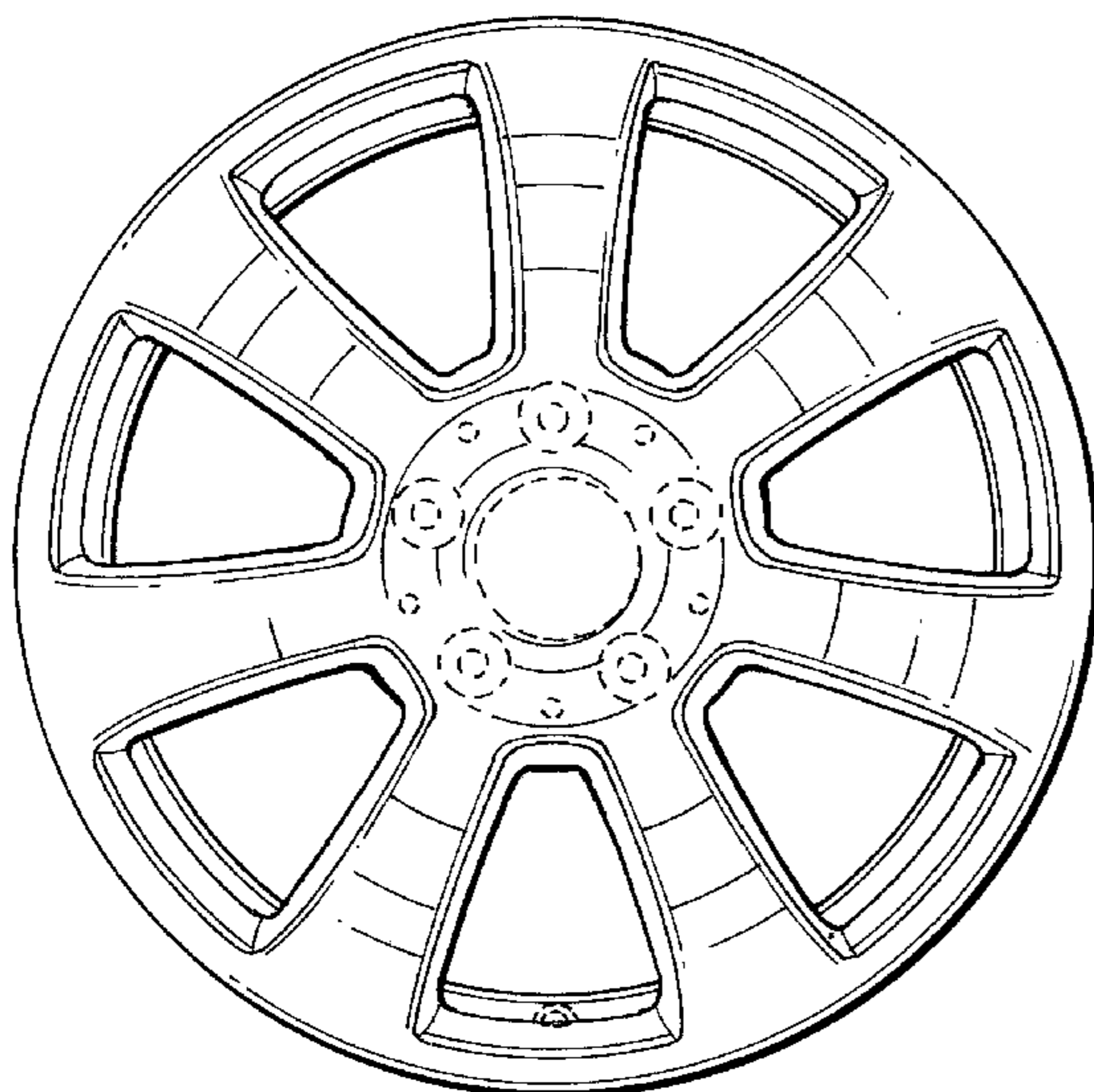
FIG. 2 is a perspective view thereof.

FIG. 3 is a front view of a second embodiment of the front face of a vehicle wheel according to my novel design; and,

FIG. 4 is a perspective view thereof.

The broken lines are for illustrative purposes only and form no part of the claimed design.

1 Claim, 2 Drawing Sheets



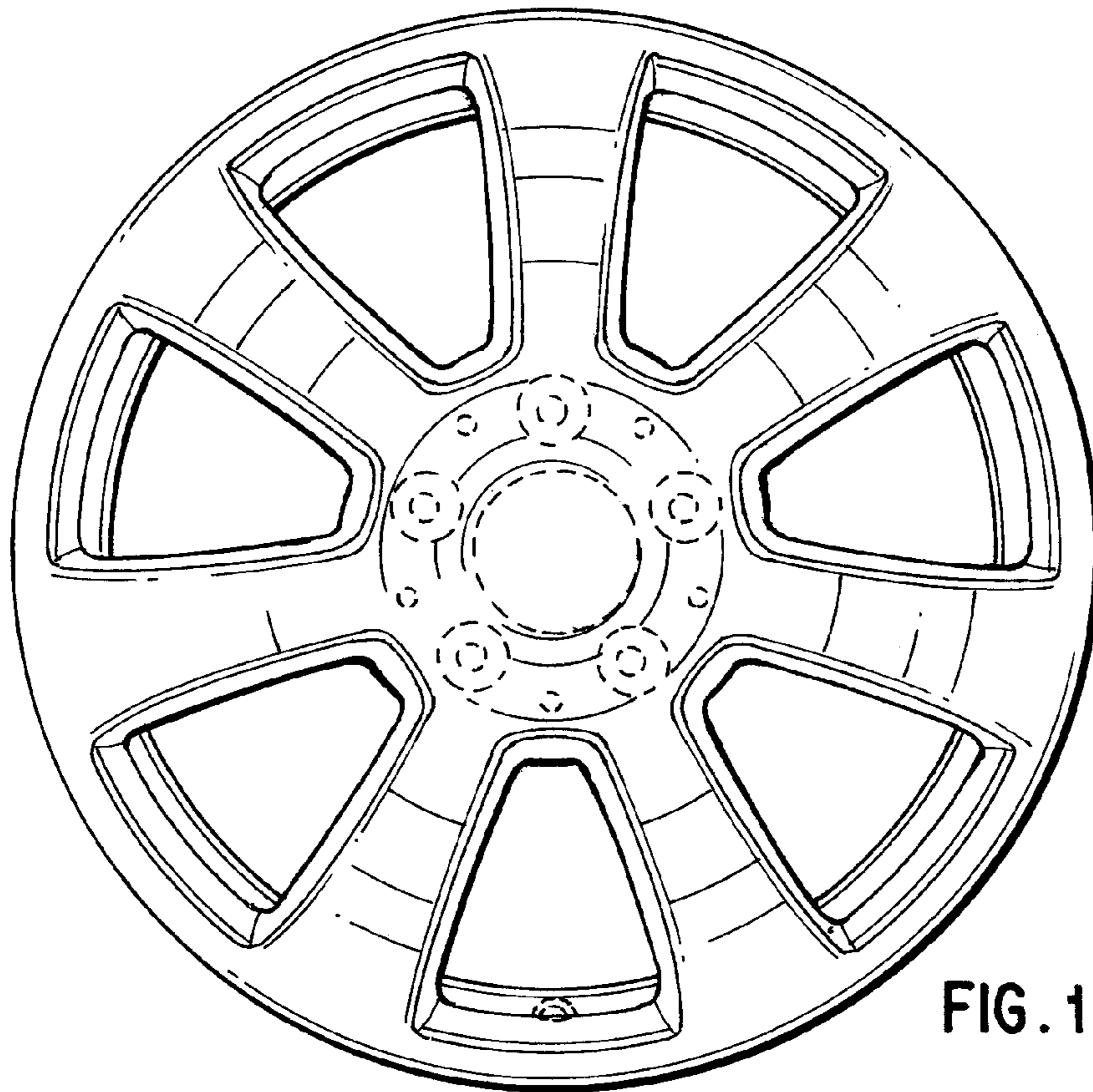


FIG. 1

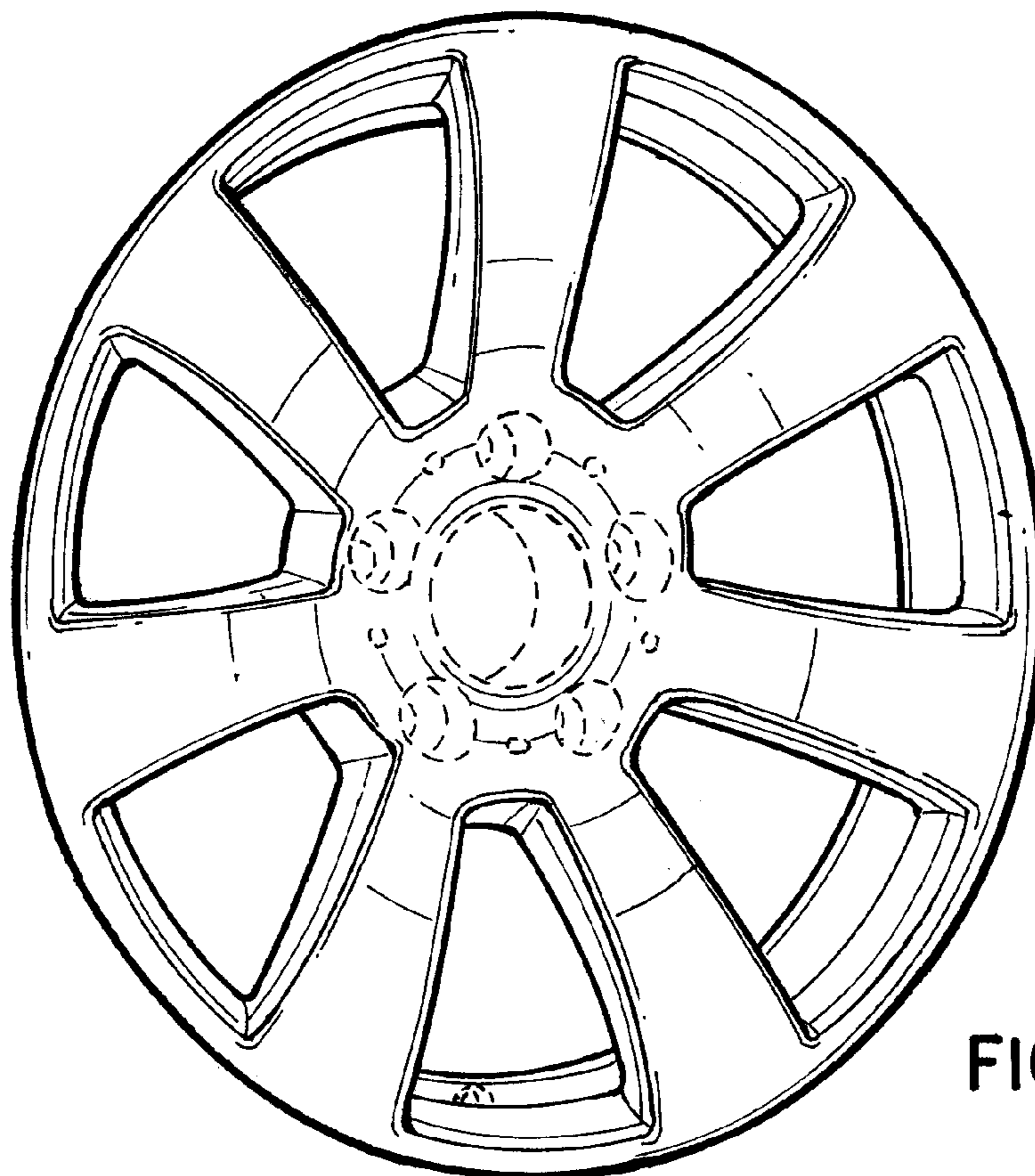


FIG. 2

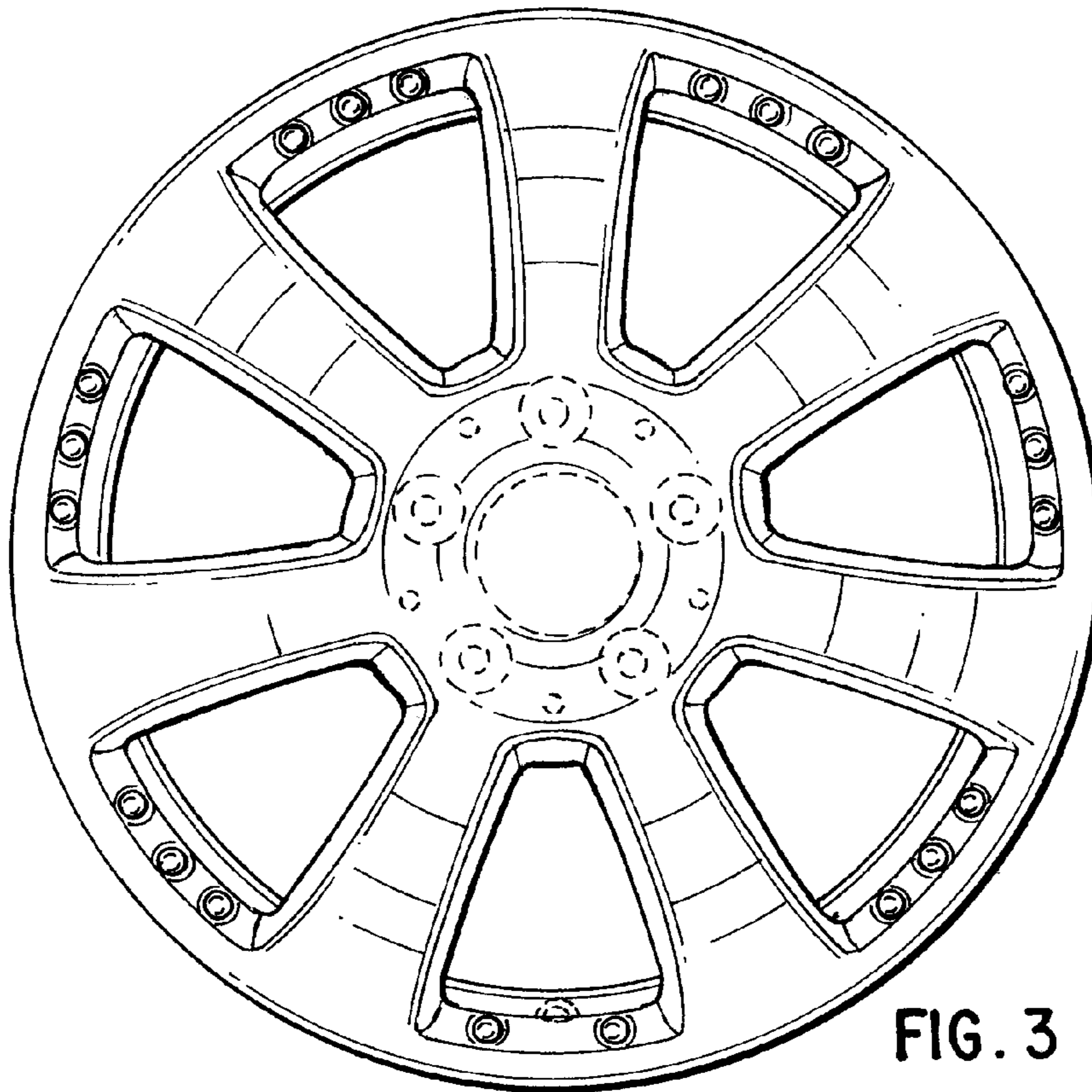


FIG. 3

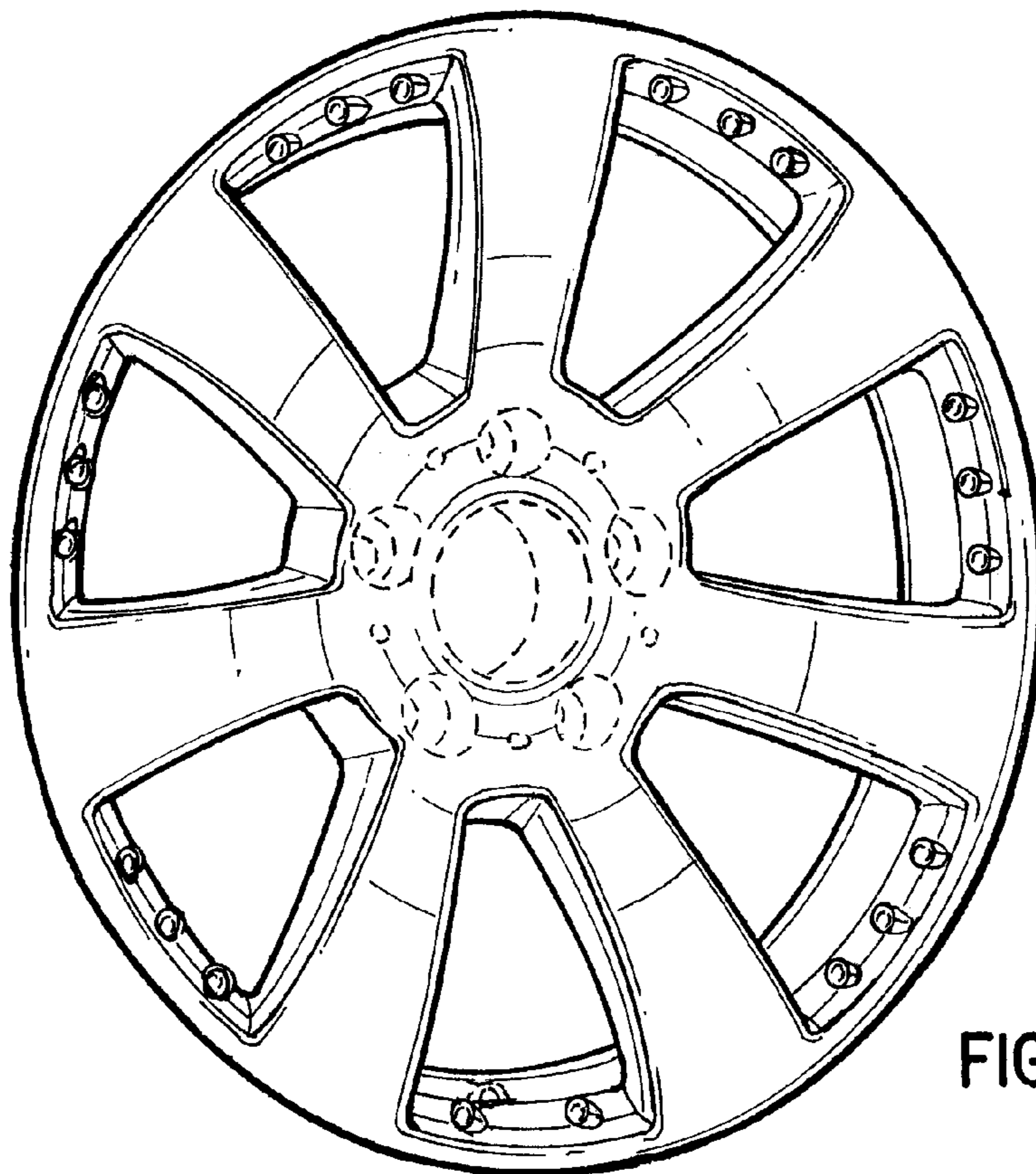


FIG. 4