

US00D546741S

(12) **United States Design Patent**
Iteya et al.

(10) **Patent No.:** **US D546,741 S**
(45) **Date of Patent:** **** Jul. 17, 2007**

(54) **BICYCLE GEAR SHIFTER**

(75) Inventors: **Yoshihide Iteya**, Osaka (JP); **Naoya Tokumoto**, Osaka (JP)

(73) Assignee: **Shimano Inc.**, Osaka (JP)

(**) Term: **14 Years**

(21) Appl. No.: **29/261,800**

(22) Filed: **Jun. 21, 2006**

(30) **Foreign Application Priority Data**

Dec. 22, 2005 (EP) 000452446

(51) **LOC (8) Cl.** **12-11**

(52) **U.S. Cl.** **D12/179**

(58) **Field of Classification Search** D12/111,
D12/114, 174, 178-180, 177; D8/303; 74/488,
74/489, 551.8, 551.9

See application file for complete search history.

(56) **References Cited**

U.S. PATENT DOCUMENTS

D454,102 S * 3/2002 Iteya D12/179

D454,103 S * 3/2002 Iteya D12/179

Primary Examiner—Alan P. Douglas

Assistant Examiner—Linda Brooks

(74) *Attorney, Agent, or Firm*—Global IP Counselors, LLP

(57) **CLAIM**

The ornamental design for a bicycle gear shifter, as shown and described.

DESCRIPTION

FIG. 1 is a perspective view of a bicycle gear shifter in accordance with our new design;

FIG. 2 is a front elevational view of the bicycle gear shifter in accordance with our new design;

FIG. 3 is a rear side elevational view of the bicycle gear shifter in accordance with our new design;

FIG. 4 is a left side end elevational view of the bicycle gear shifter in accordance with our new design;

FIG. 5 is a right side end elevational view of the bicycle gear shifter in accordance with our new design;

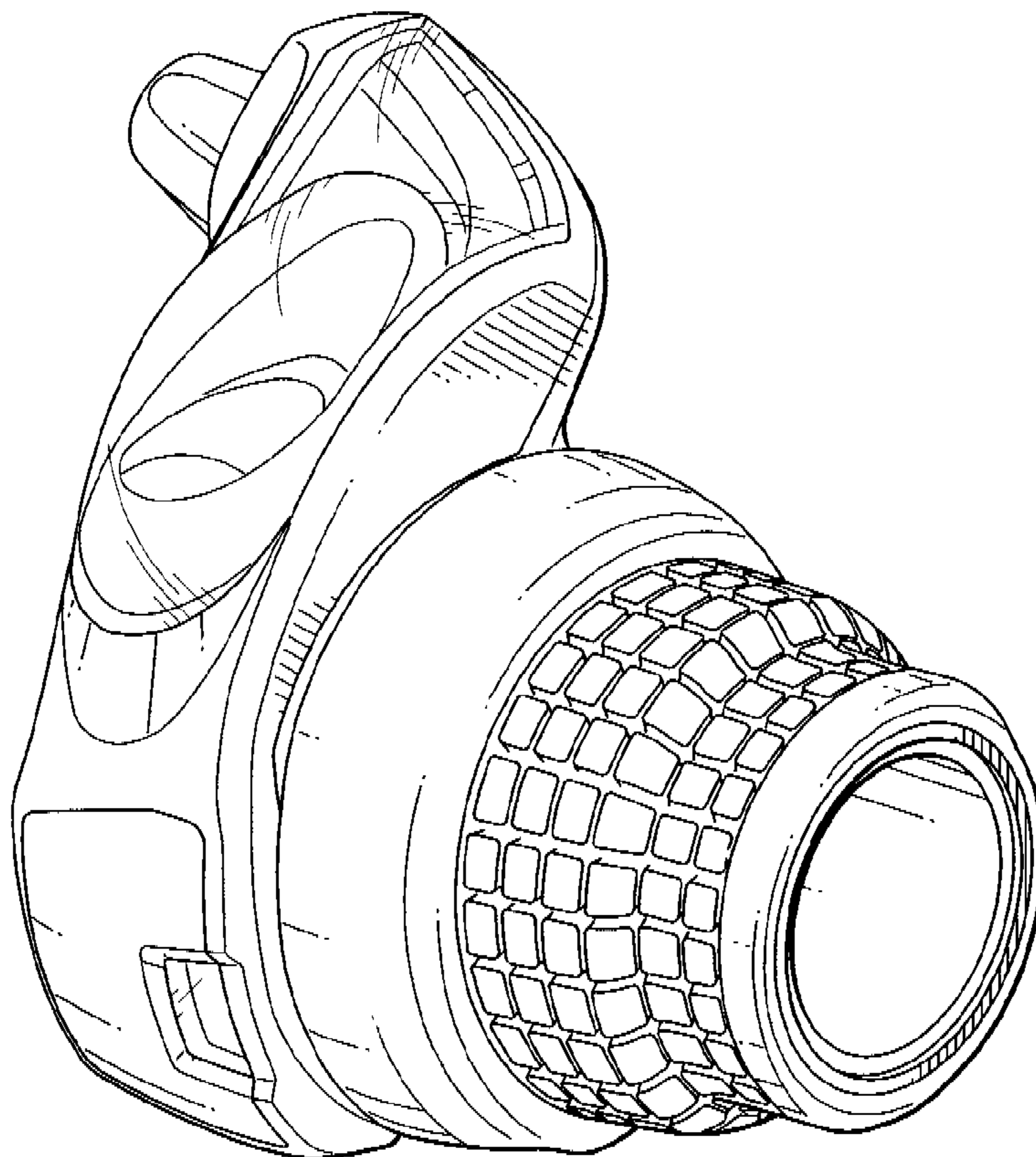
FIG. 6 is a top plan view of the bicycle gear shifter in accordance with our new design; and,

FIG. 7 is a bottom plan view of the bicycle gear shifter in accordance with our new design.

The broken lines shown are for illustrative purposes only and forms no part of the claimed design.

* cited by examiner

1 Claim, 4 Drawing Sheets



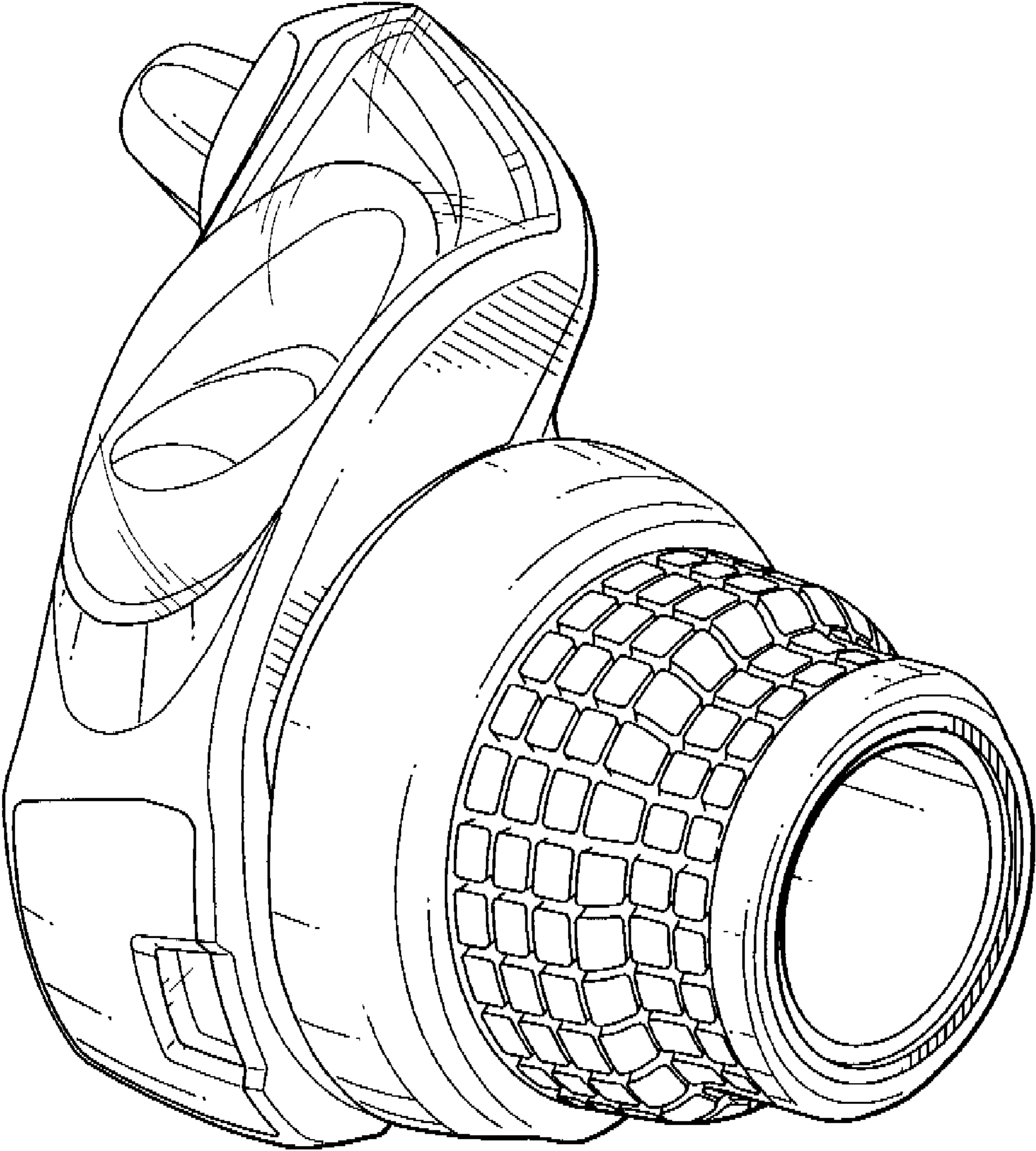


FIG. 1

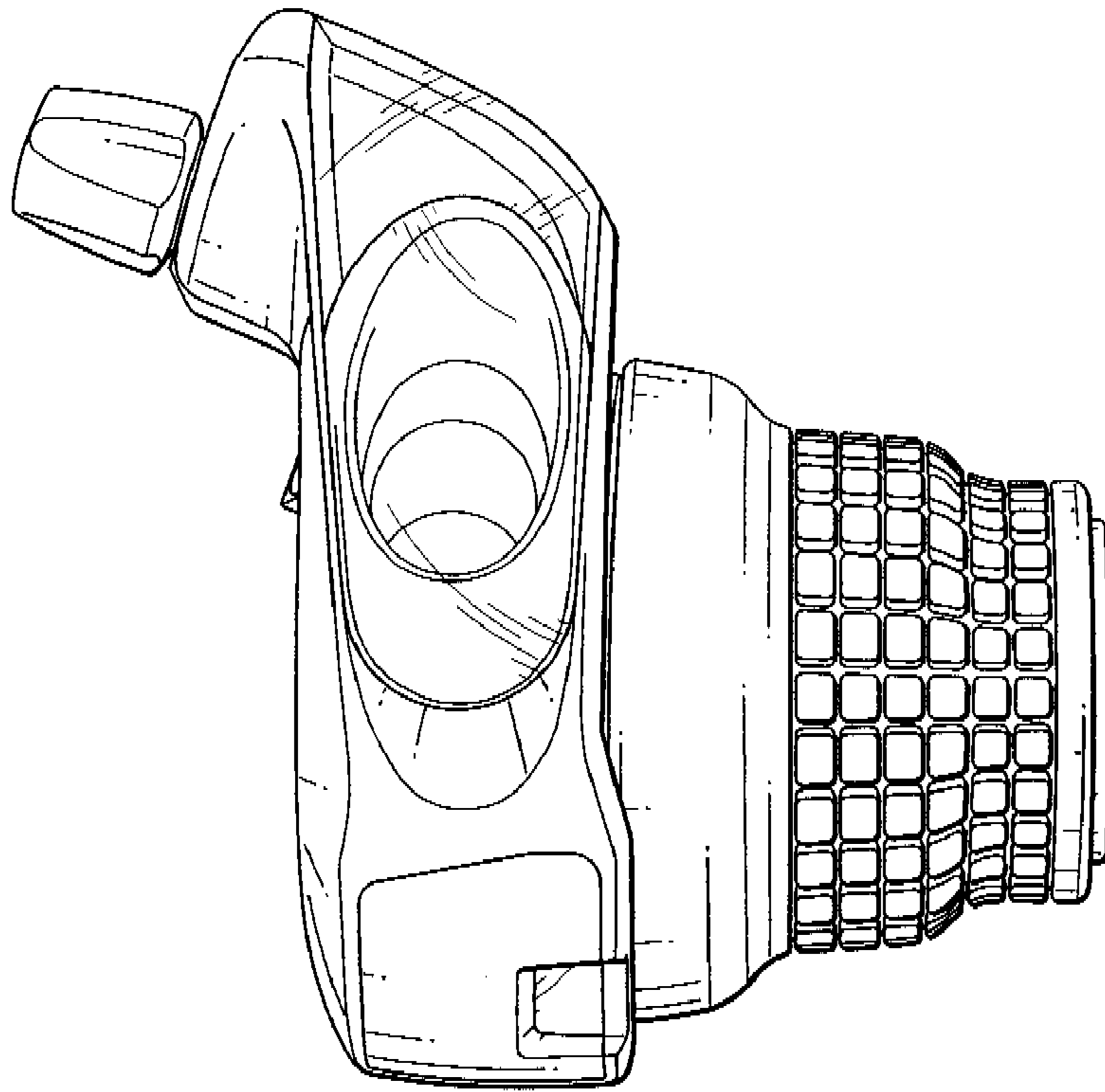


FIG. 2

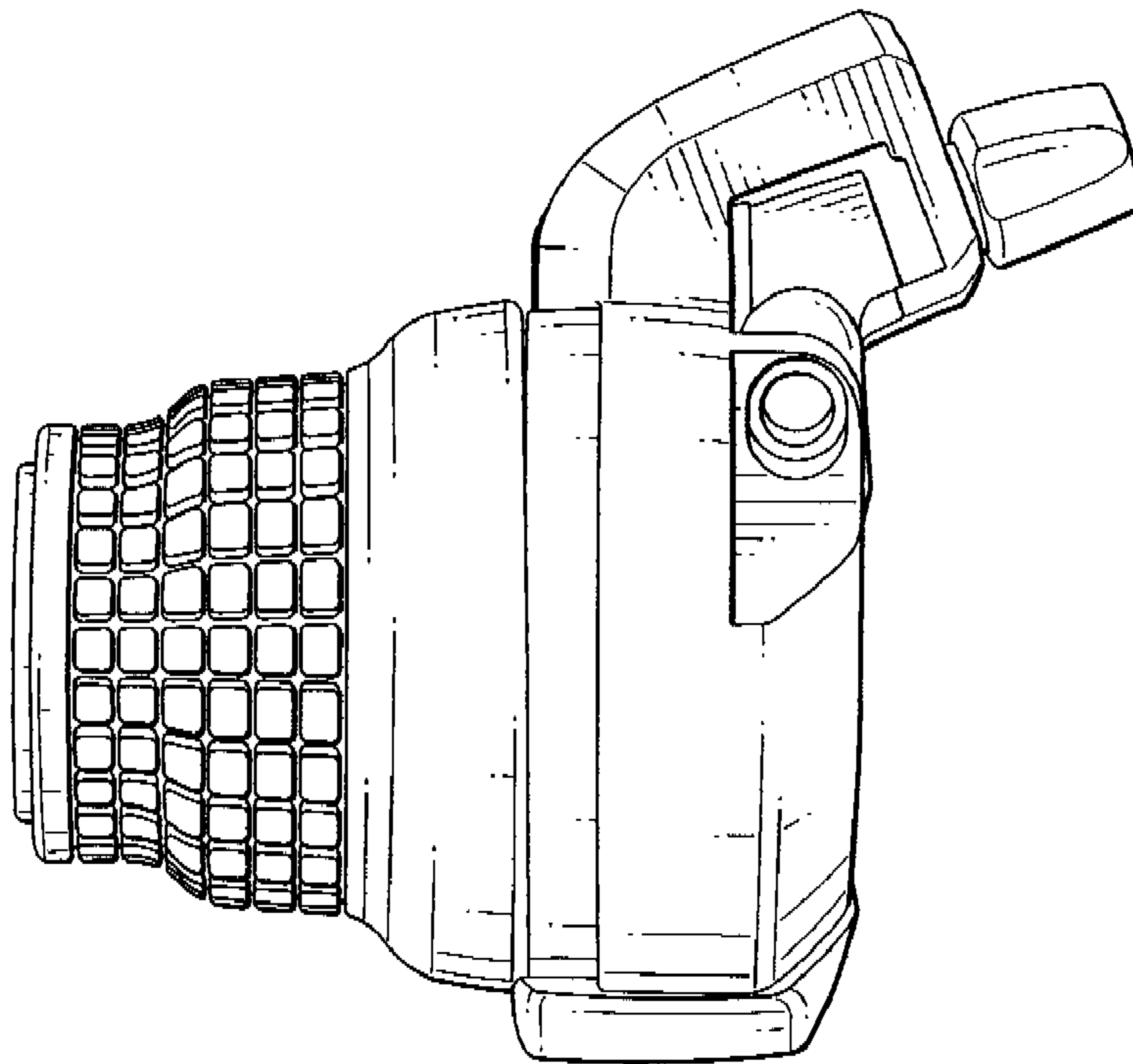


FIG. 3

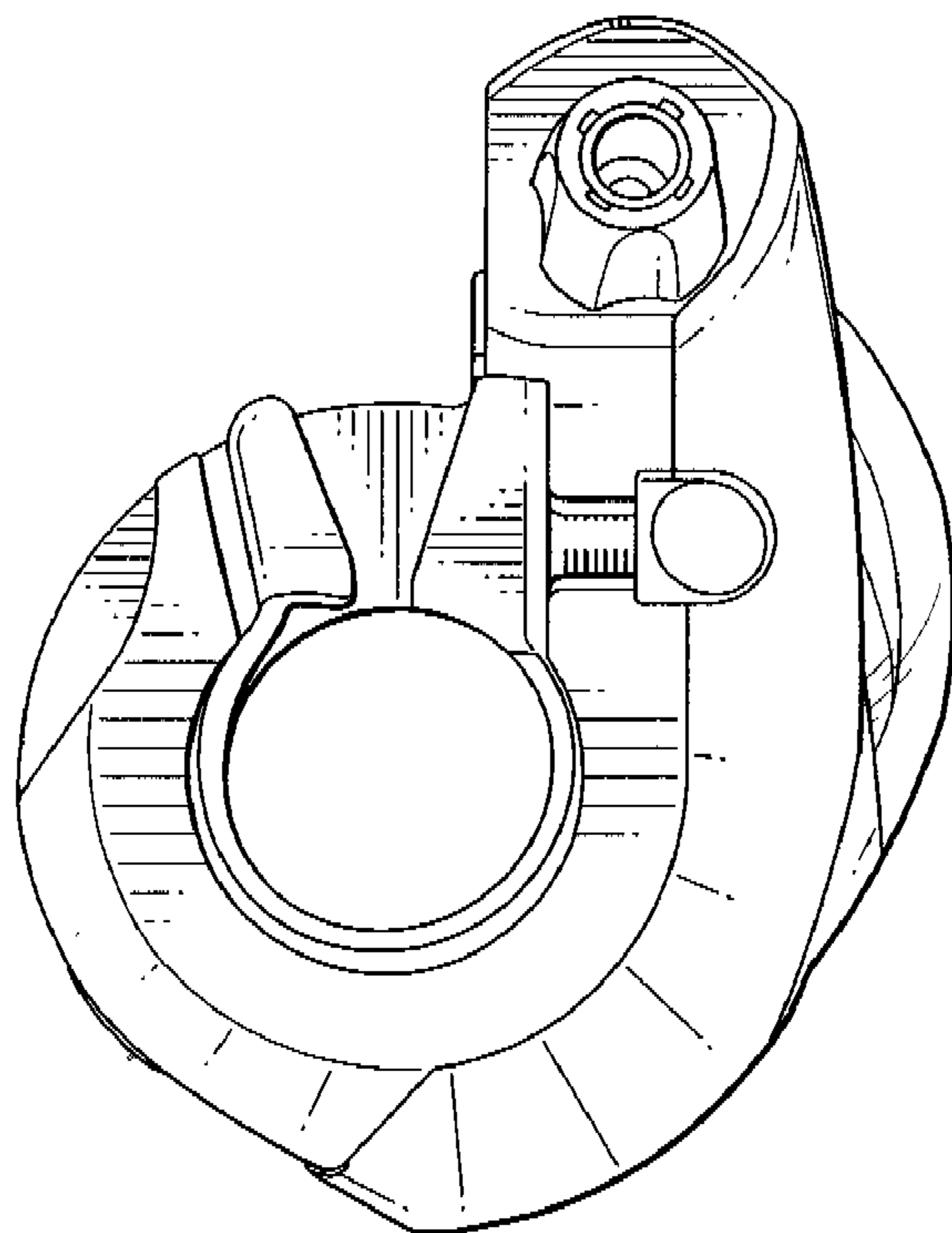


FIG. 4

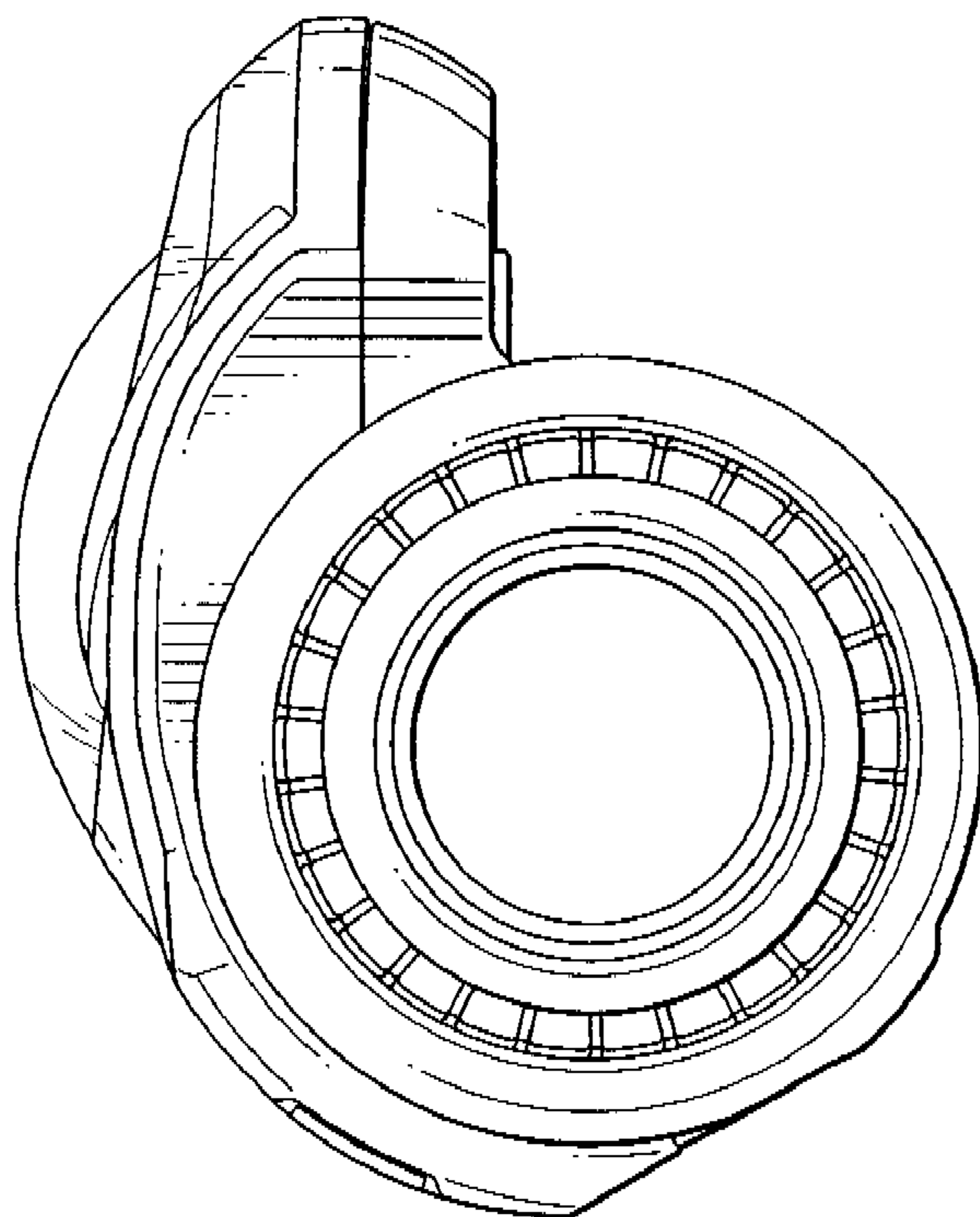


FIG. 5

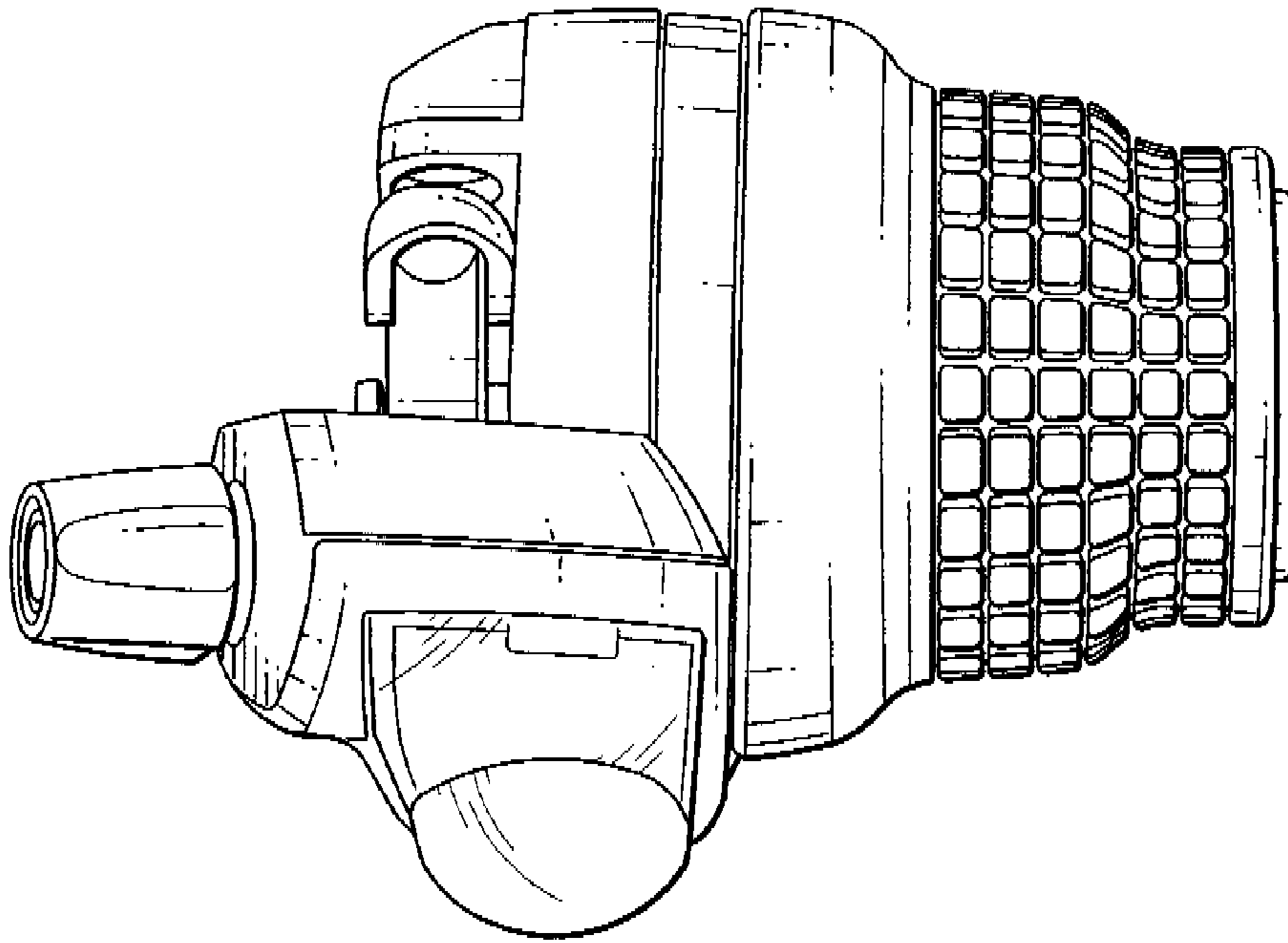


FIG. 6

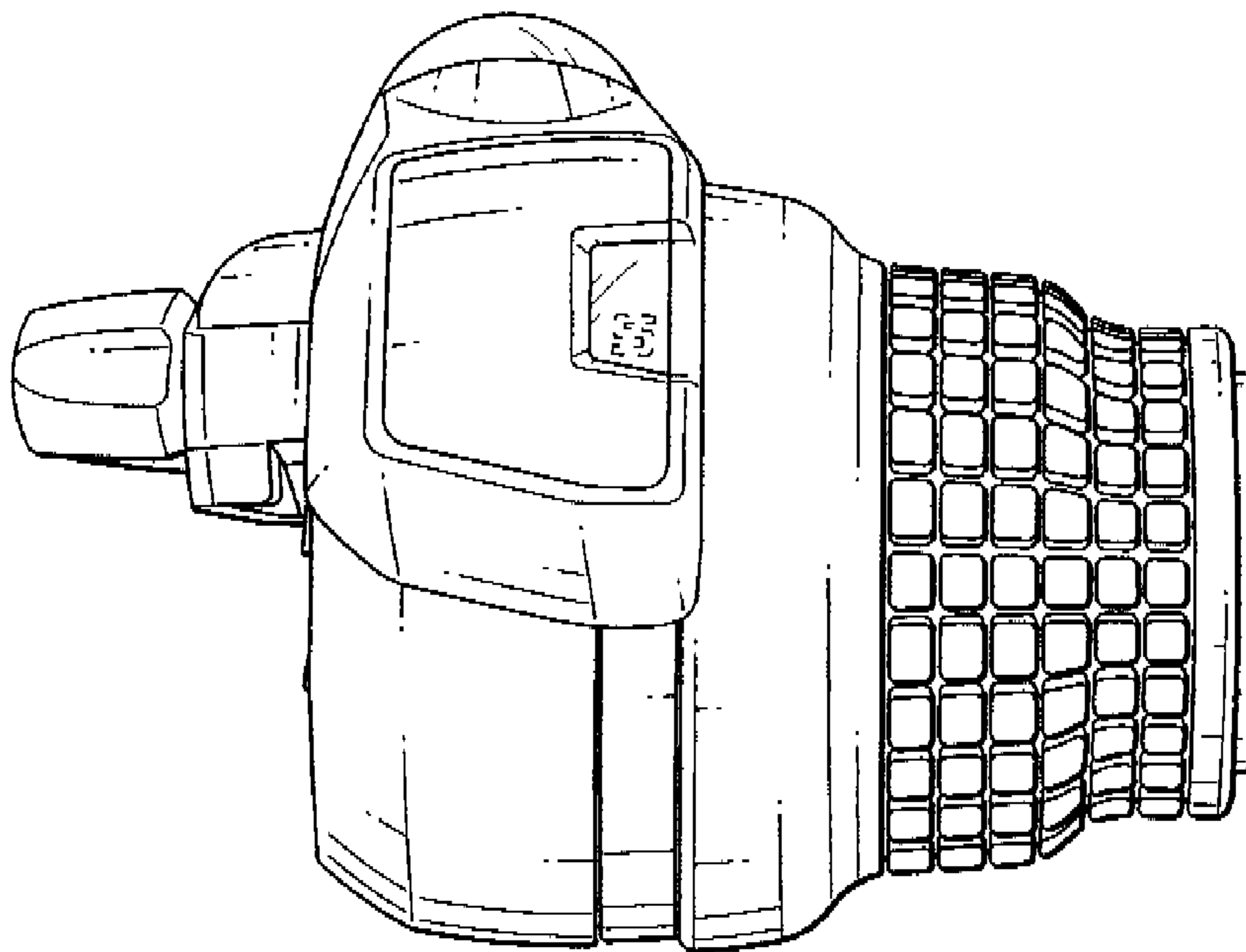


FIG. 7