



US00D546733S

(12) **United States Design Patent**
Tanaka

(10) **Patent No.:** **US D546,733 S**

(45) **Date of Patent:** **** Jul. 17, 2007**

(54) **STEP BRACKET FOR MOTORCYCLES**

Primary Examiner—Alan P. Douglas
Assistant Examiner—Linda Brooks

(75) Inventor: **Shunji Tanaka**, Kobe (JP)

(73) Assignee: **Kawasaki Jukogyo Kabushiki Kaisha**,
Hyogo (JP)

(**) Term: **14 Years**

(21) Appl. No.: **29/255,873**

(22) Filed: **Mar. 13, 2006**

(30) **Foreign Application Priority Data**

Sep. 14, 2005 (JP) 2005-026533

(51) **LOC (8) Cl.** **12-11**

(52) **U.S. Cl.** **D12/114; D12/223**

(58) **Field of Classification Search** D12/110,
D12/114, 125, 223, 122, 174; 180/219; 288/288.4,
288/291; 74/560, 564, 594.4, 594.7, 551.8,
74/551.9, 478, 478.5; 296/75; 16/421, 430;
D8/303

See application file for complete search history.

(56) **References Cited**

U.S. PATENT DOCUMENTS

6,142,499 A * 11/2000 Hsieh et al. 280/291
D516,966 S * 3/2006 Wirtz D12/125

OTHER PUBLICATIONS

Harley-Davidson ® 2001 Genuine Motor Accessories and Genuine
Motor Parts Spring Supplement, Wide Band Billet Footpeg on p.
43.*

* cited by examiner

(57) **CLAIM**

The ornamental design for a step bracket for motorcycles, as
shown and described.

DESCRIPTION

FIG. 1 is a front elevational view of a step bracket for
motorcycles showing my new design;
FIG. 2 is a rear elevational view thereof;
FIG. 3 is a left side elevational view thereof;
FIG. 4 is a right side elevational view thereof;
FIG. 5 is a top plan view thereof;
FIG. 6 is a bottom plan view thereof;
FIG. 7 is a front left perspective view thereof;
FIG. 8 is a front right perspective view thereof; and,
FIG. 9 is a reference view of the step bracket for motorcycles
from the right side of a motorcycle, shown on a reduced
scale and in position of use.

The broken line showing of the environment is for illustra-
tive purposes only and forms no part of the claimed designs.
The portion encompassed by a solid line is the design sought
to be patented.

1 Claim, 5 Drawing Sheets

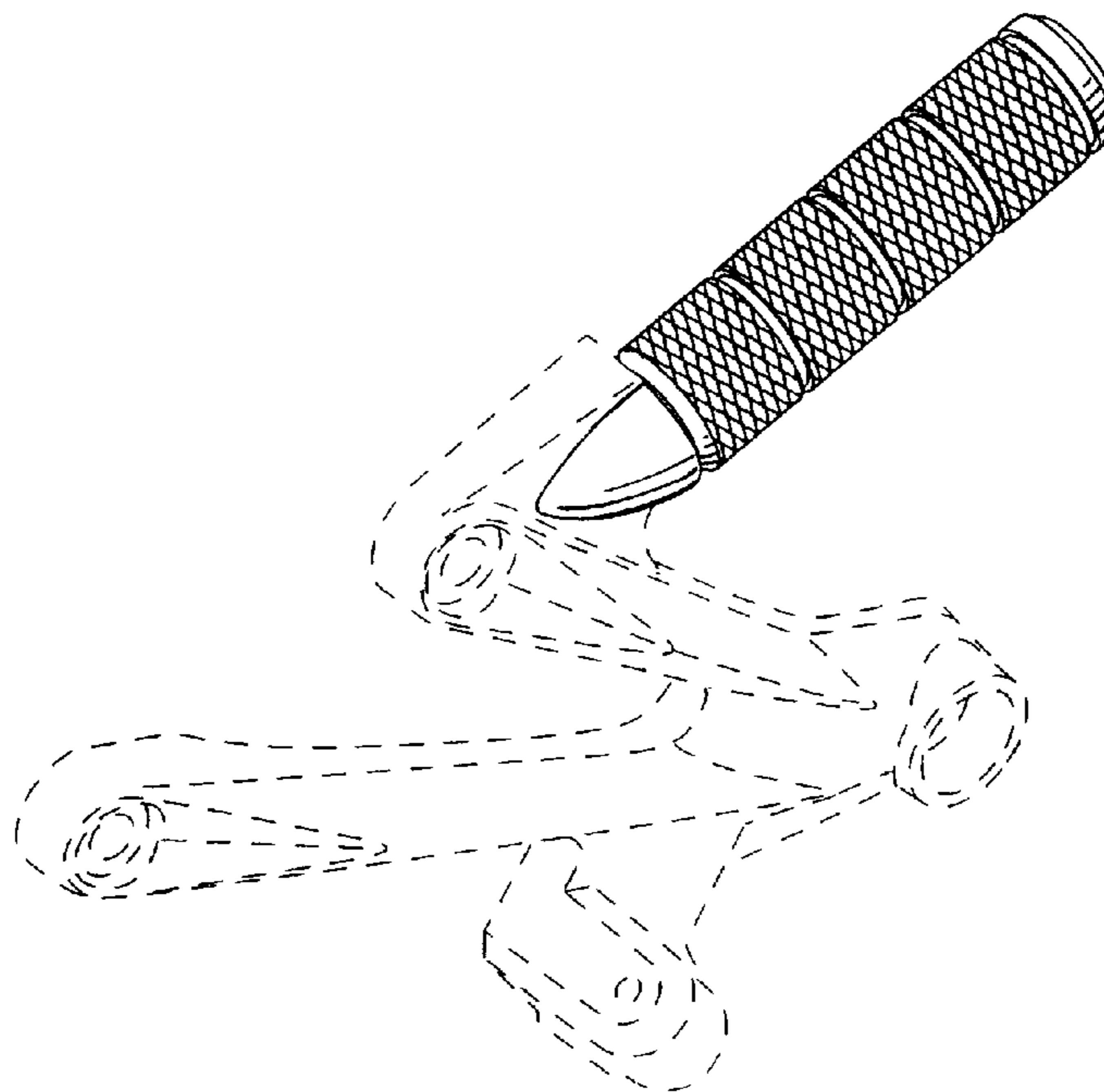


Fig. 1

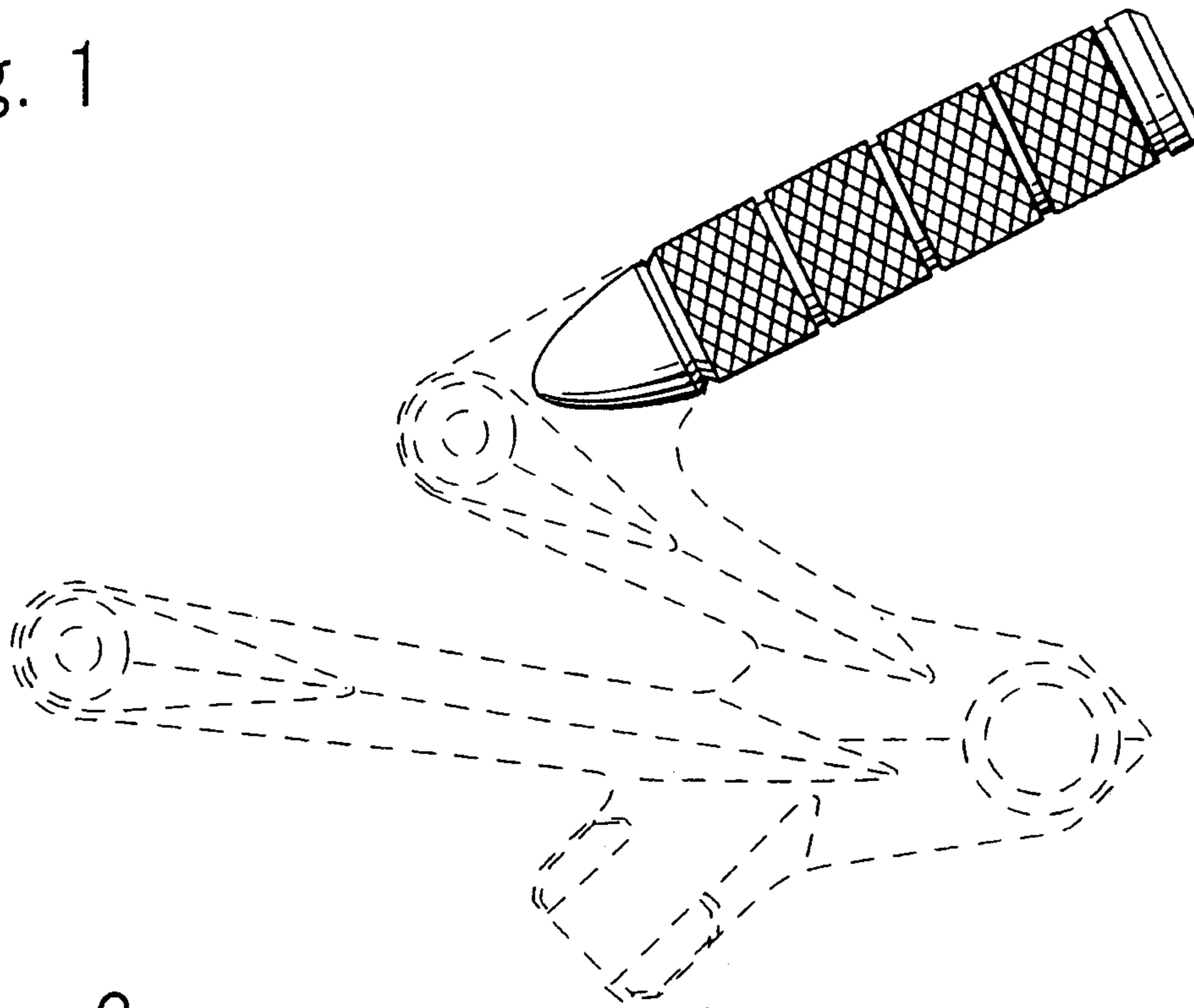


Fig. 2

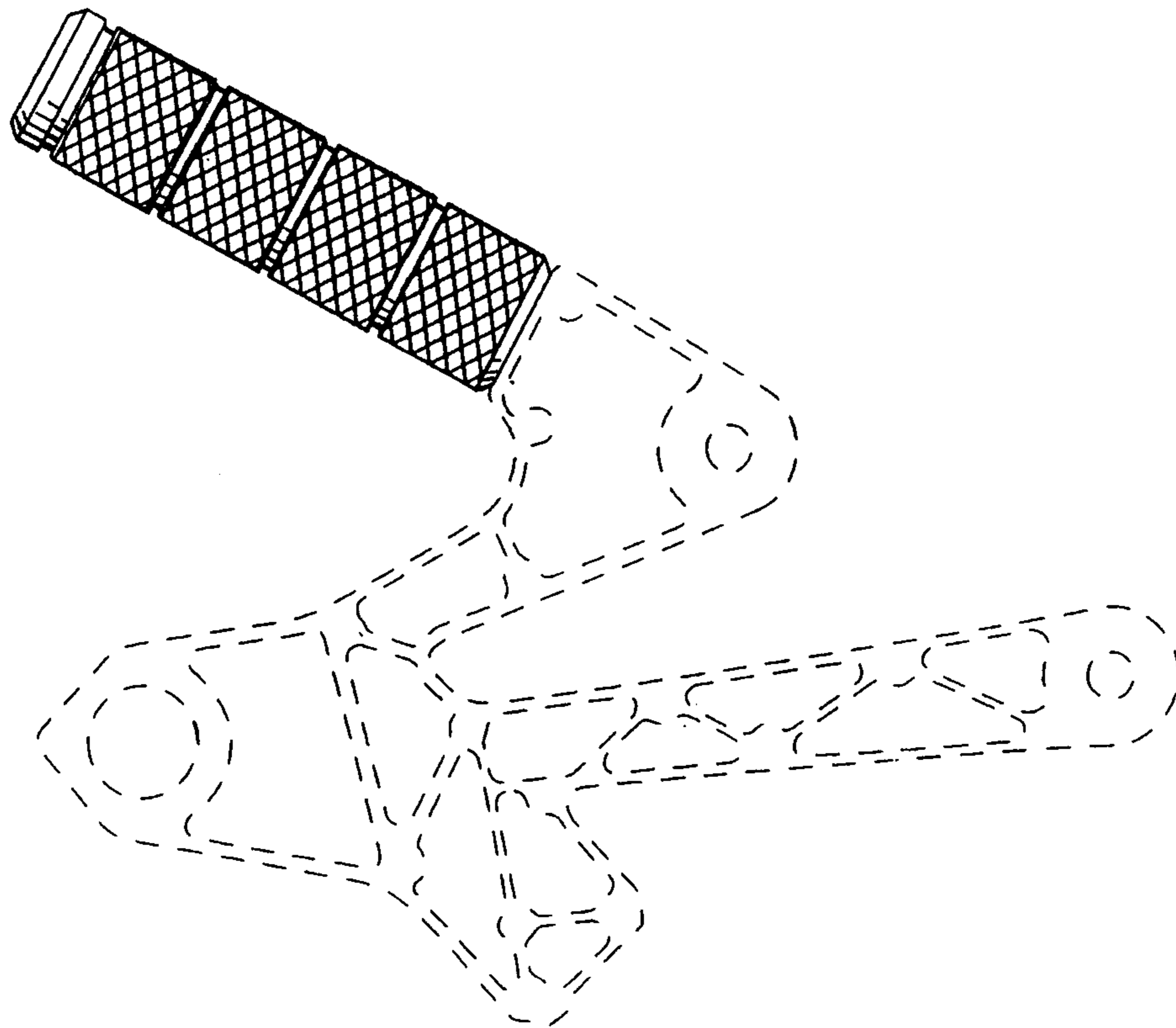


Fig. 3



Fig. 4

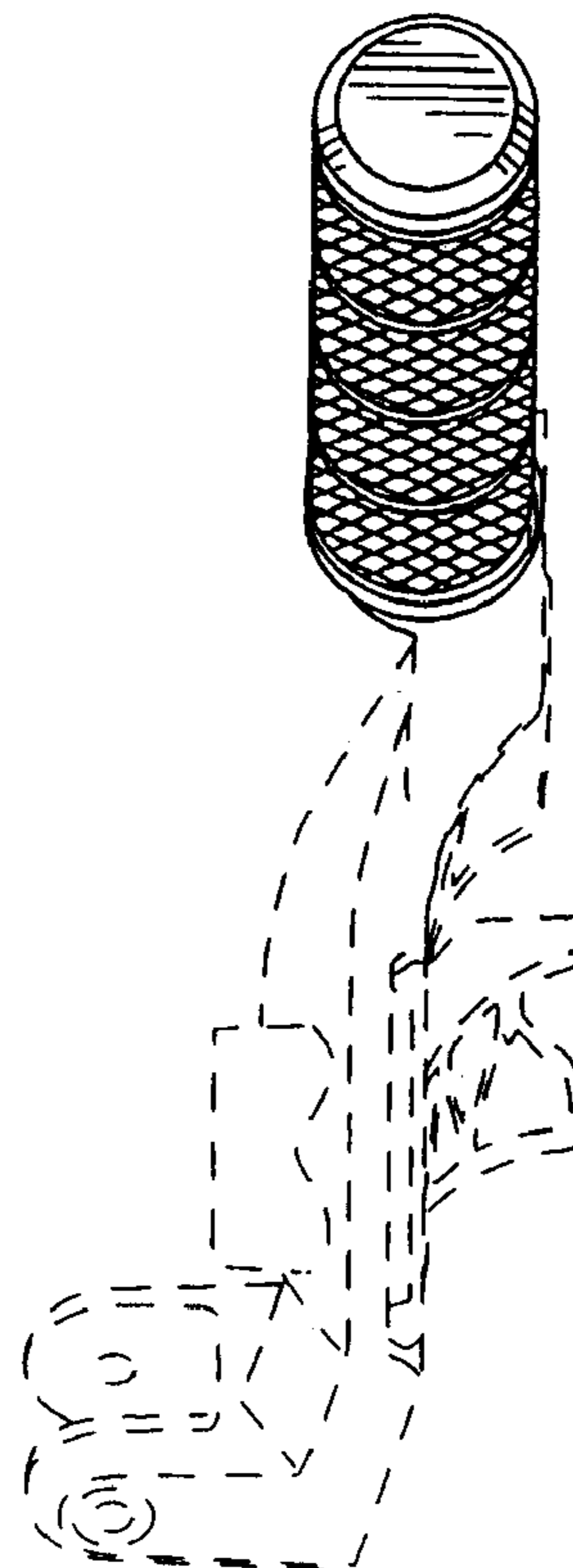


Fig. 5

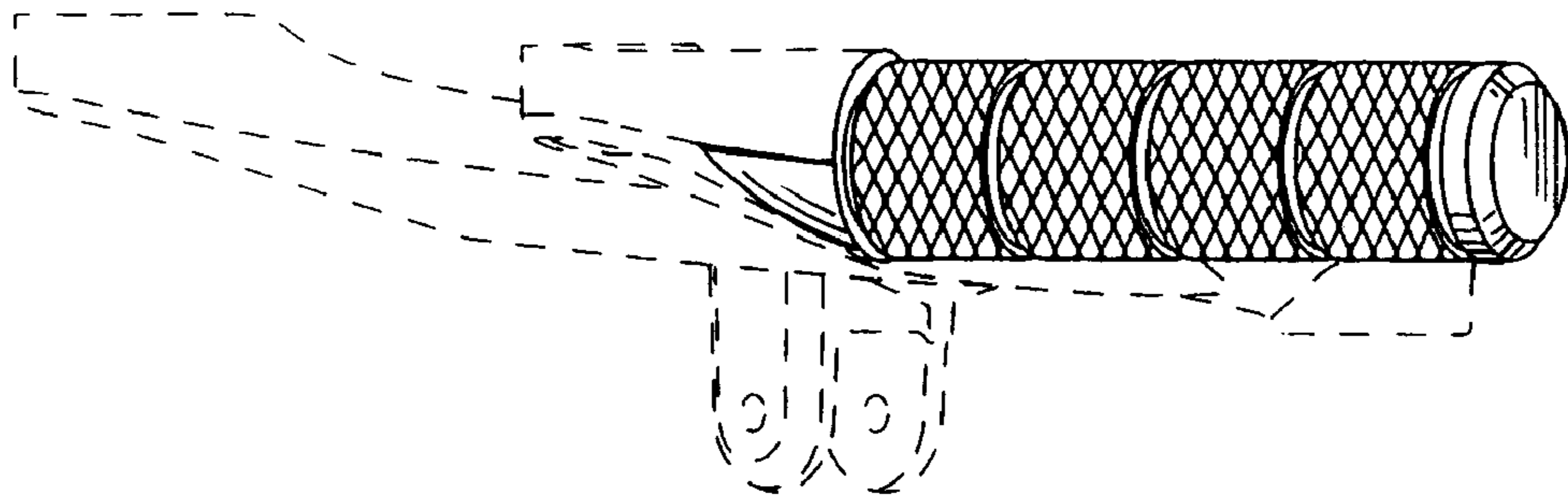


Fig. 6

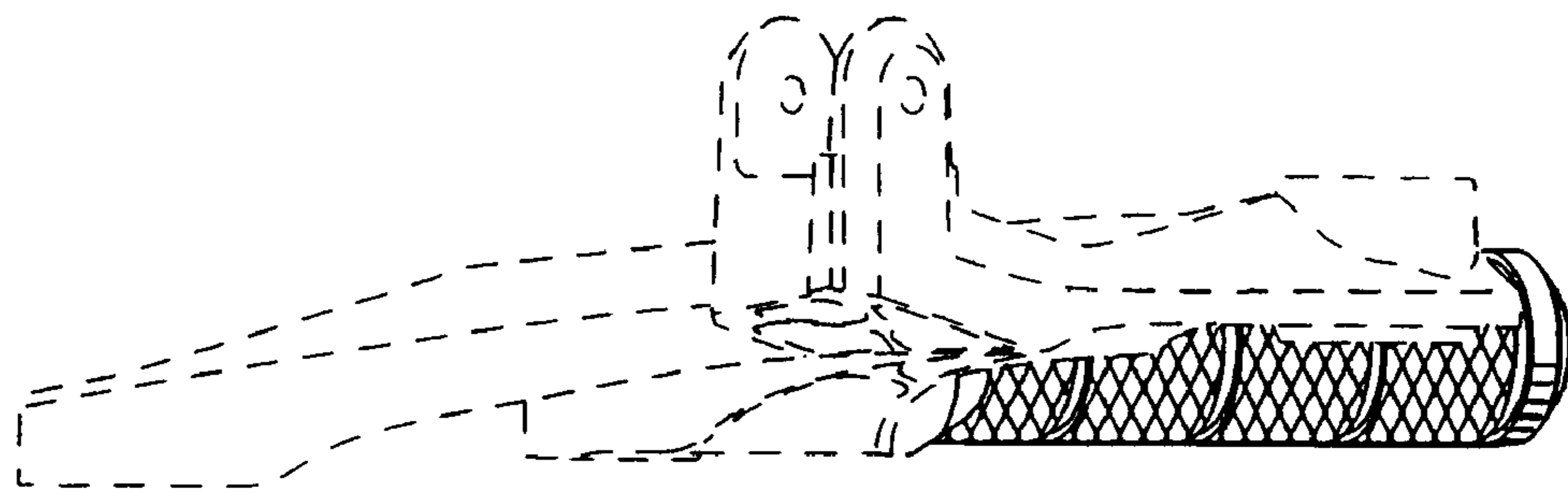


Fig. 7

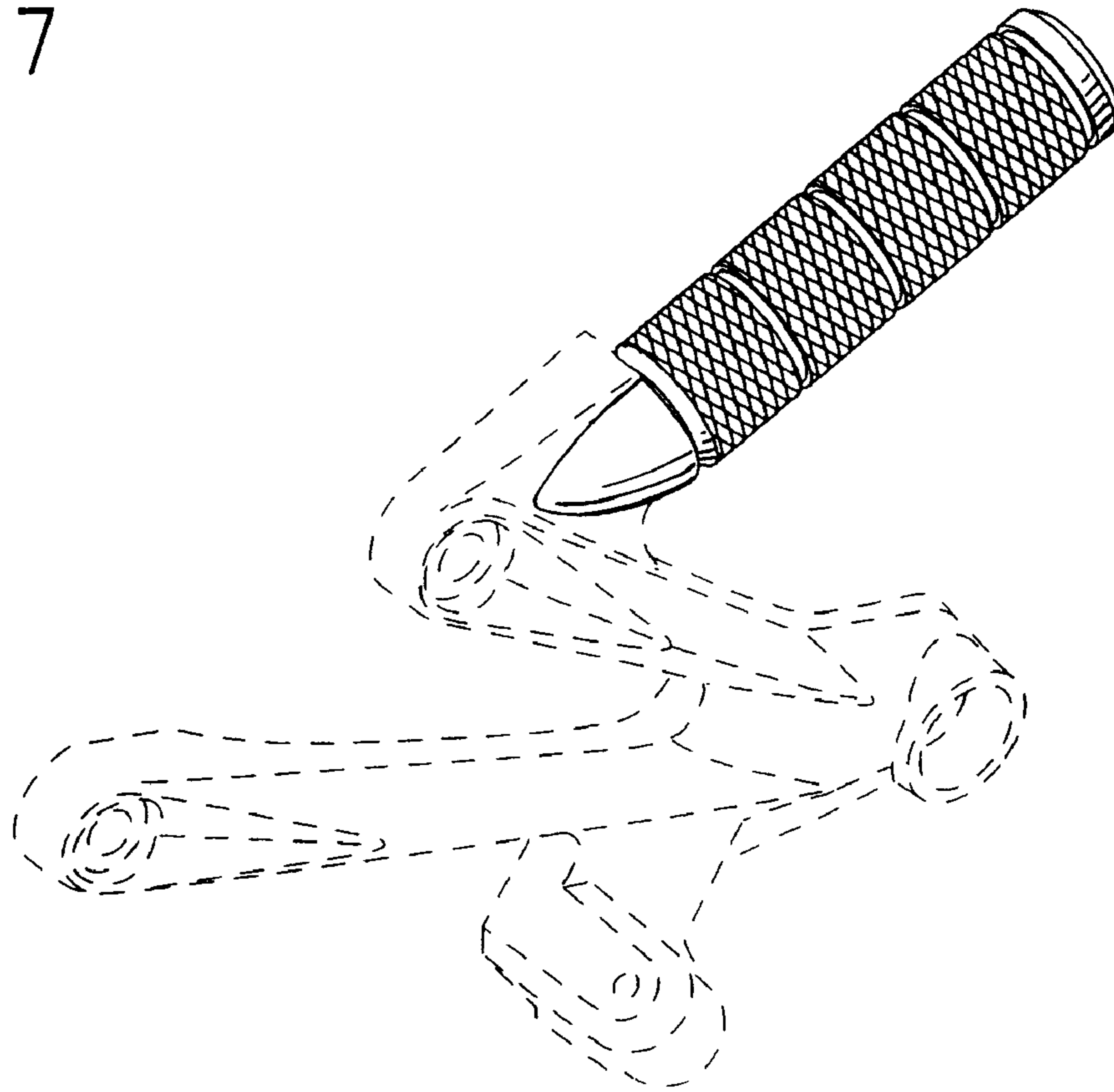


Fig. 8

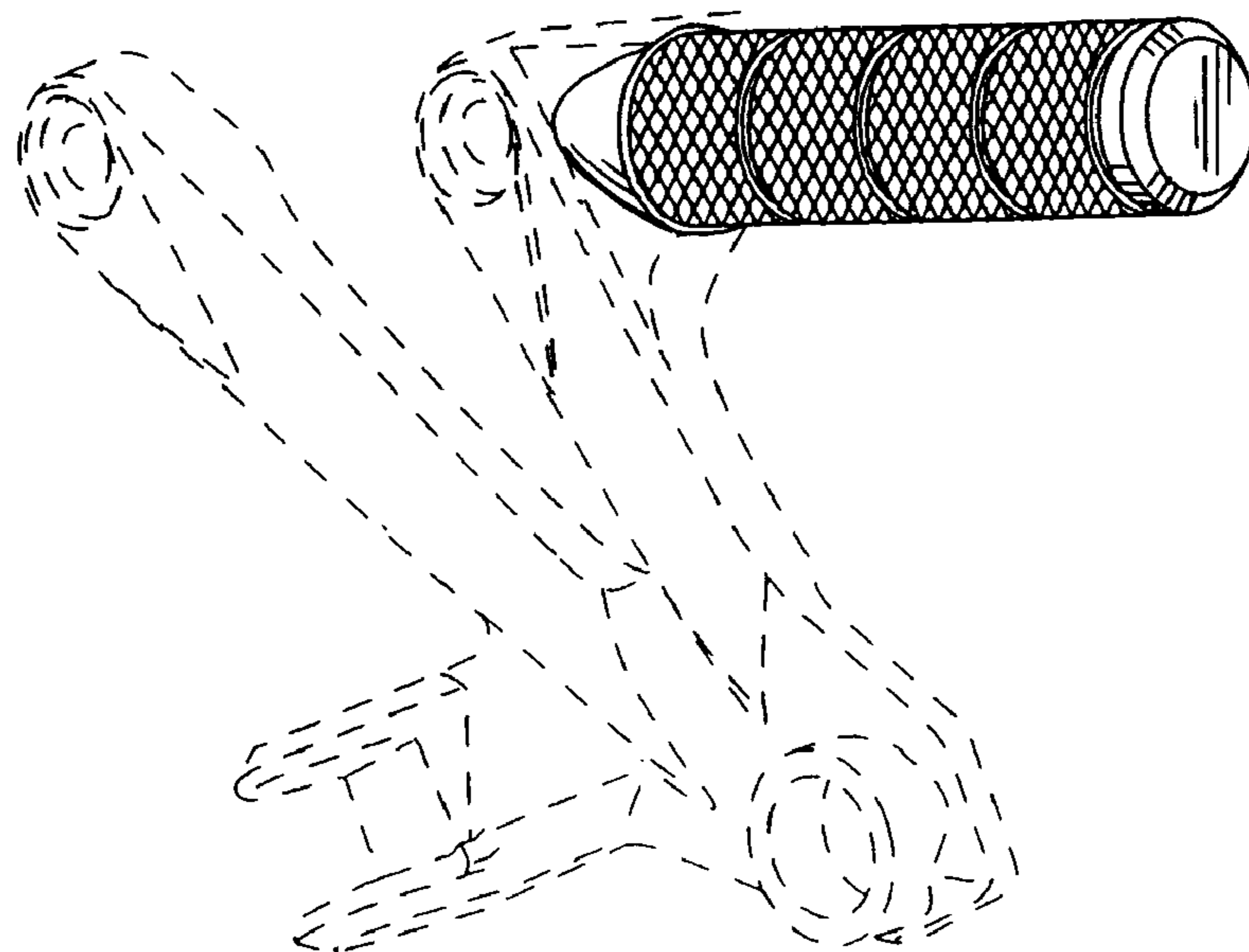


Fig. 9

