



US00D546731S

(12) **United States Design Patent**  
**Teague et al.**

(10) **Patent No.:** **US D546,731 S**  
(45) **Date of Patent:** **\*\* Jul. 17, 2007**

(54) **TRAILER**

(75) Inventors: **Jeff Teague**, Agoura Hills, CA (US);  
**Chuck Pelly**, Woodland Hills, CA (US)

(73) Assignee: **Magna International Inc.**, Aurora,  
Ontario (CA)

(\*\*) Term: **14 Years**

(21) Appl. No.: **29/270,339**

(22) Filed: **Dec. 20, 2006**

(30) **Foreign Application Priority Data**

Jun. 22, 2006 (CA) ..... 116407

(51) **LOC (8) Cl.** ..... **12-10**

(52) **U.S. Cl.** ..... **D12/102**

(58) **Field of Classification Search** ..... D12/101-106,  
D12/95, 97; 280/475, 656, 763.1, 482, 462;  
206/181-183.1, 24.31, 156, 190

See application file for complete search history.

(56) **References Cited**

**U.S. PATENT DOCUMENTS**

D85,816 S \* 12/1931 Curtiss ..... D12/103

D267,710 S \* 1/1983 King ..... D12/103  
D270,822 S \* 10/1983 Triggs ..... D12/102  
D310,982 S \* 10/1990 Badsey ..... D12/102  
D344,473 S \* 2/1994 Romesburg ..... D12/97  
D389,785 S \* 1/1998 Guzak ..... D12/102  
D506,162 S \* 6/2005 Collinson ..... D12/102  
D509,169 S \* 9/2005 Keighan ..... D12/102  
D514,986 S \* 2/2006 Swails et al. .... D12/101  
D529,412 S \* 10/2006 Troyer et al. .... D12/102

\* cited by examiner

*Primary Examiner*—Stacia Cadmus

(74) *Attorney, Agent, or Firm*—Clark Hill PLC

(57) **CLAIM**

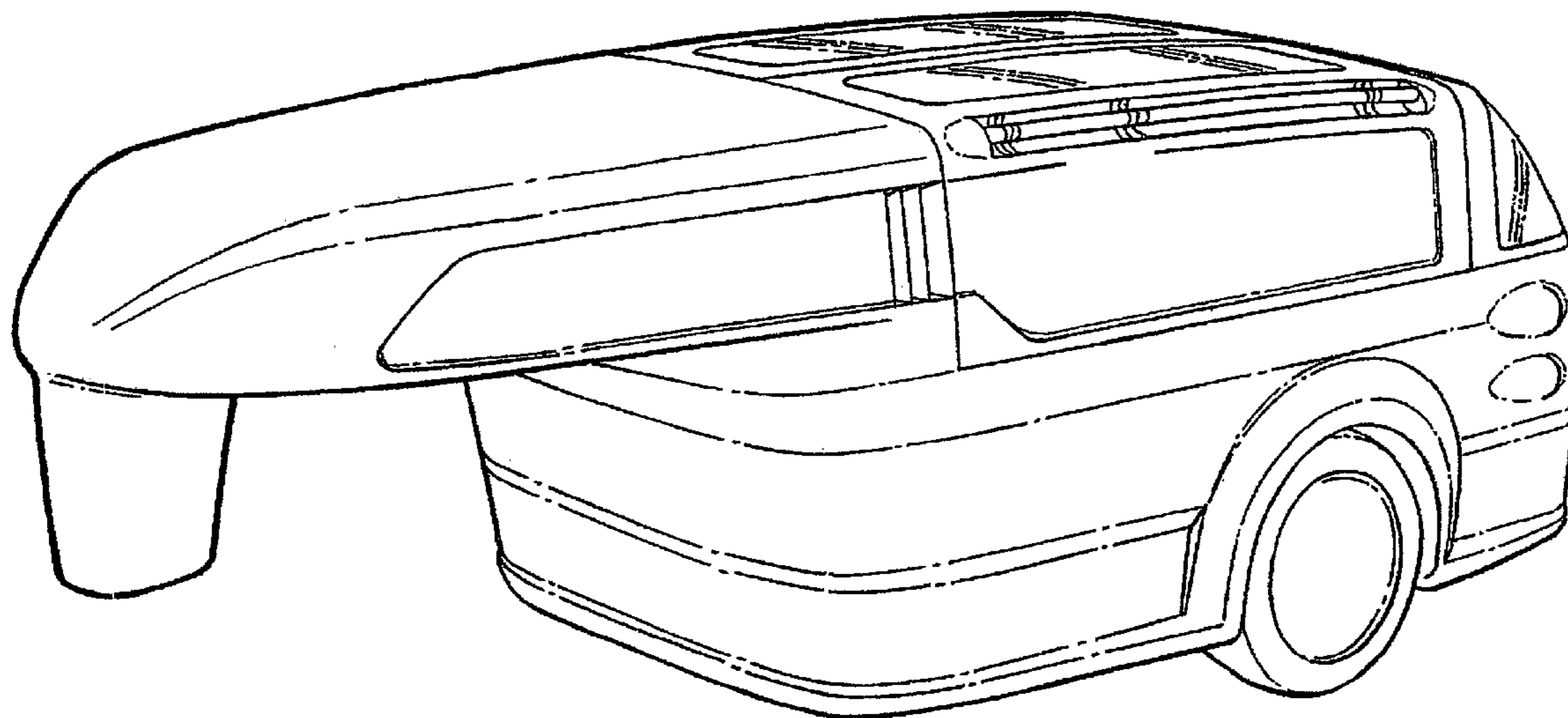
The ornamental design for a trailer, as shown and described.

**DESCRIPTION**

FIG. 1 is a front perspective view of the trailer showing my new design; and,

FIG. 2 is a rear perspective view thereof.

**1 Claim, 2 Drawing Sheets**



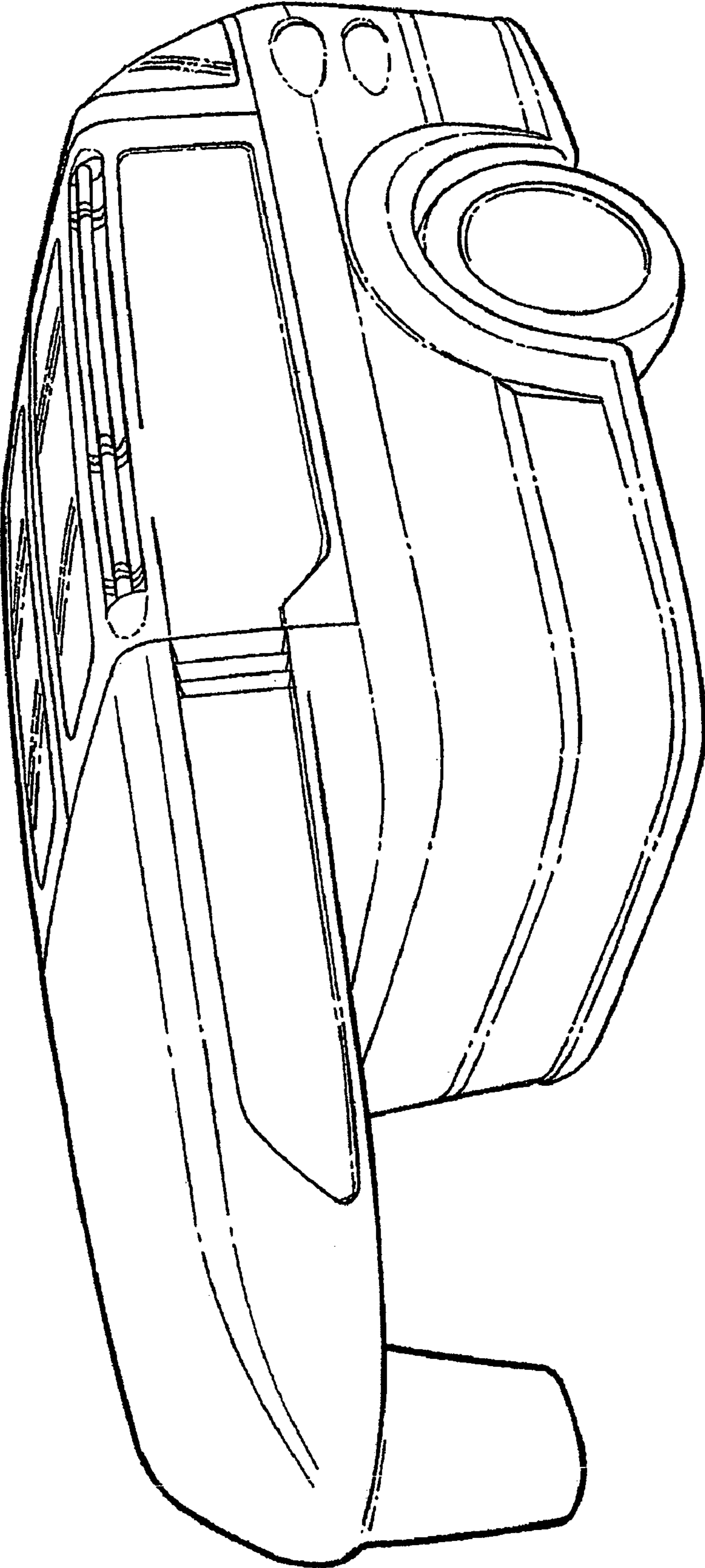


FIGURE 1

FIGURE 2

