



US00D546725S

(12) **United States Design Patent**
Goto et al.

(10) **Patent No.:** **US D546,725 S**

(45) **Date of Patent:** **** Jul. 17, 2007**

(54) **WATCH CASE**

(75) Inventors: **Atsushi Goto**, Tokyo (JP); **Kazuyo Kawashima**, Tokyo (JP); **Kenji Kojima**, Tokyo (JP)

(73) Assignee: **Casio Keisanki Kabushiki Kaisha**, Tokyo (JP)

(**) Term: **14 Years**

(21) Appl. No.: **29/270,296**

(22) Filed: **Dec. 19, 2006**

(51) **LOC (8) Cl.** **10-07**

(52) **U.S. Cl.** **D10/128; D10/131**

(58) **Field of Classification Search** D10/30-39,
D10/122-132; 368/276, 277, 281, 282, 285,
368/29-30, 80, 82-84, 223, 228, 239-242,
368/232, 21, 28, 306, 308, 316, 319-321
See application file for complete search history.

(56) **References Cited**

U.S. PATENT DOCUMENTS

2,361,563	A *	10/1944	Pellaton	368/80
5,282,179	A *	1/1994	Vuilleumier	368/28
5,583,830	A *	12/1996	Okuyama	368/11
D378,740	S *	4/1997	Yamamoto et al.	D10/38
D387,289	S *	12/1997	Houlihan	D10/30
D387,677	S *	12/1997	Hanagata	D10/30
D387,686	S *	12/1997	Hanagata	D10/38
D407,328	S *	3/1999	Moriai et al.	D10/30
D407,332	S *	3/1999	Kojima	D10/30
D409,502	S *	5/1999	Muller	D10/30

D443,528	S *	6/2001	Tomimatsu	D10/30
D448,679	S *	10/2001	Muller	D10/30
D452,169	S *	12/2001	Syoubayashi	D10/30
D463,293	S *	9/2002	Streltsov	D10/30
D489,998	S *	5/2004	Goto et al.	D10/30
D508,415	S *	8/2005	Kojima et al.	D10/30
D526,214	S *	8/2006	Morishima et al.	D10/38

* cited by examiner

Primary Examiner—Lucy Lieberman

(74) *Attorney, Agent, or Firm*—Frishauf, Holtz, Goodman & Chick, P.C.

(57) **CLAIM**

The ornamental design for a watch case, as shown and described.

DESCRIPTION

FIG. 1 is a front, right side, bottom perspective view of a watch case showing our new design;

FIG. 2 is a front elevational view thereof;

FIG. 3 is a rear elevational view thereof;

FIG. 4 is a left side view thereof;

FIG. 5 is a right side view thereof;

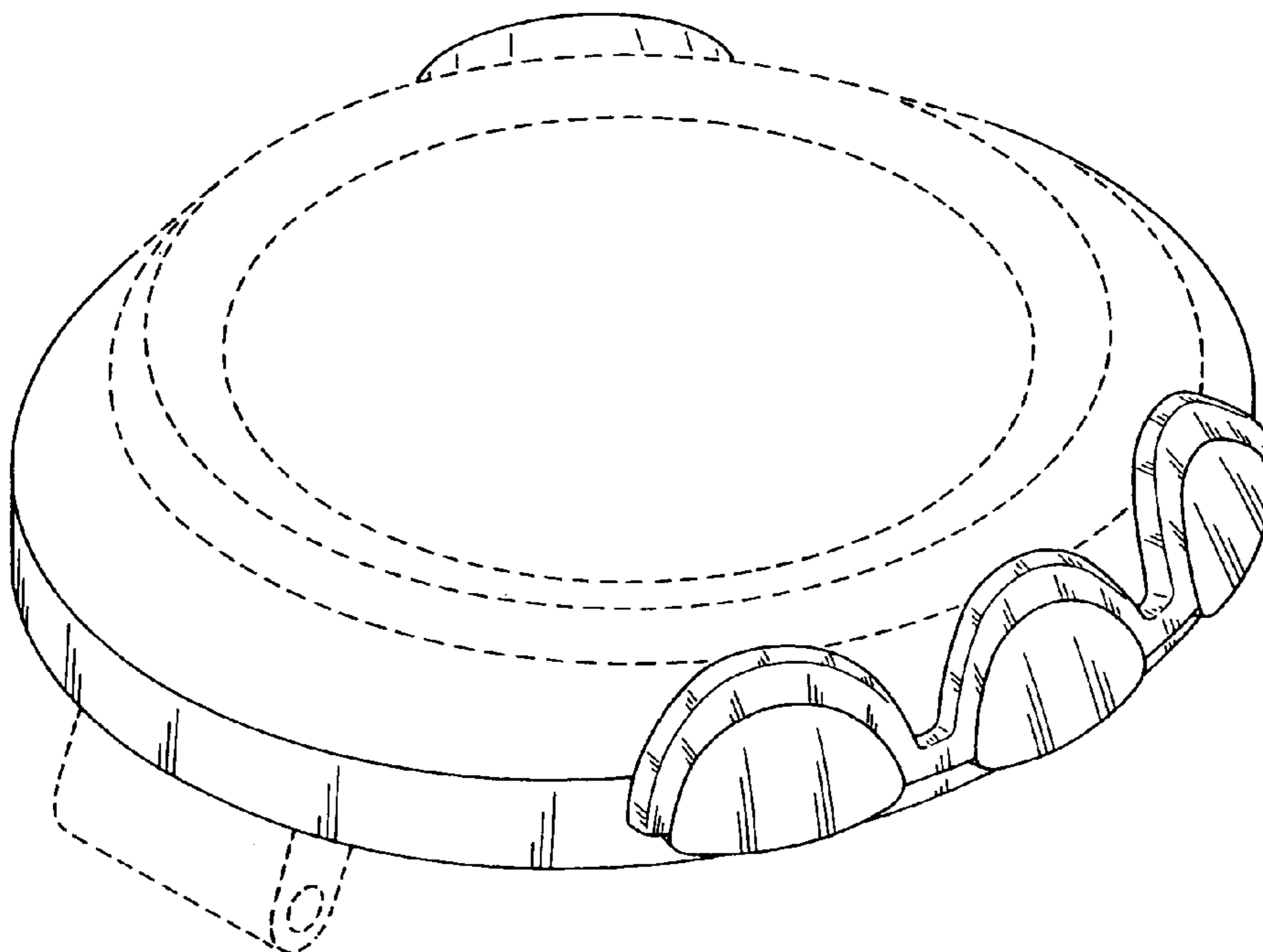
FIG. 6 is a top plan view thereof;

FIG. 7 is a bottom plan view thereof; and,

FIG. 8 is a front, left side, top perspective view thereof.

The broken line showings are for illustrative purposes only and form no part of the claimed design.

1 Claim, 7 Drawing Sheets



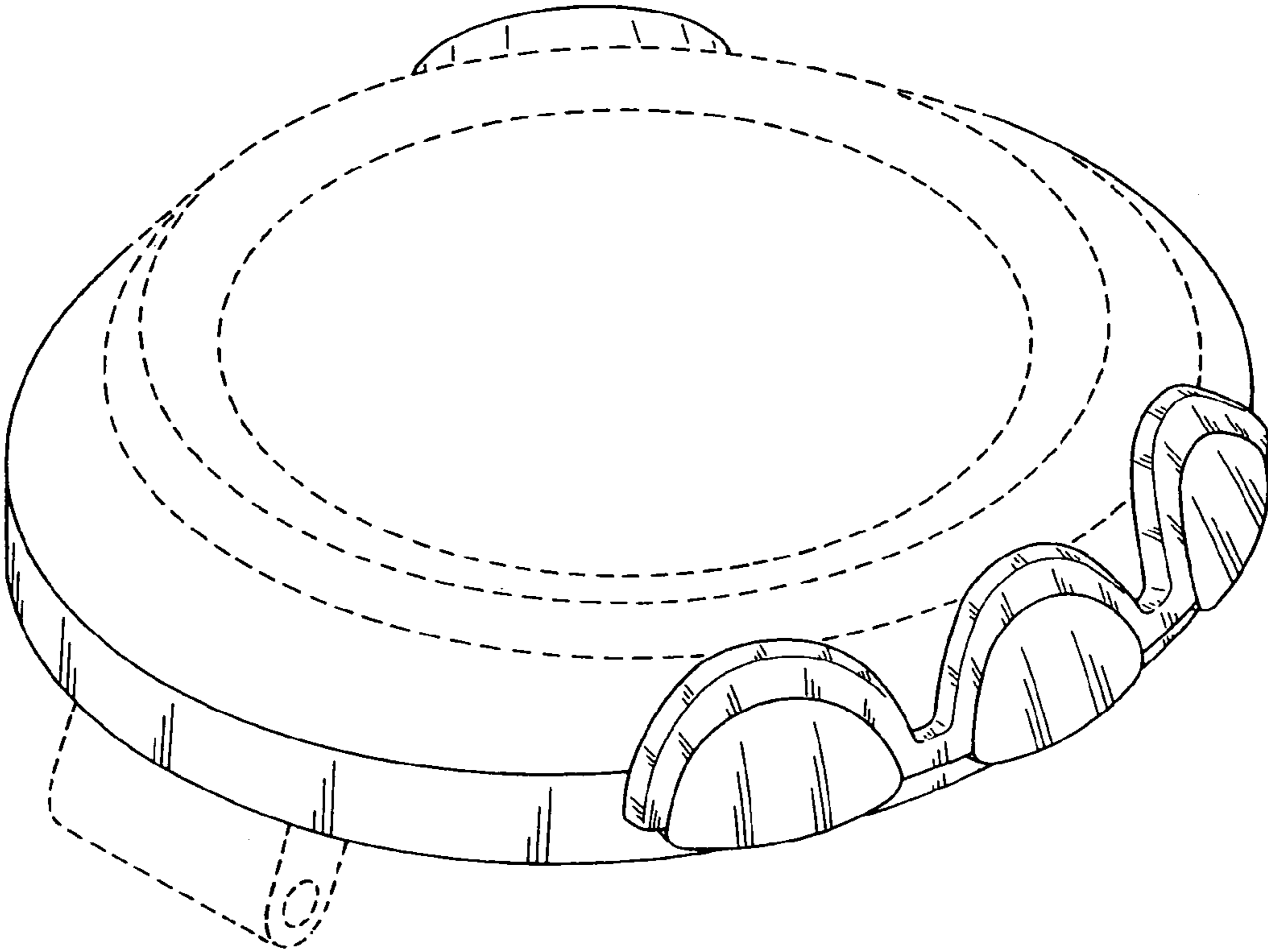


FIG. 1

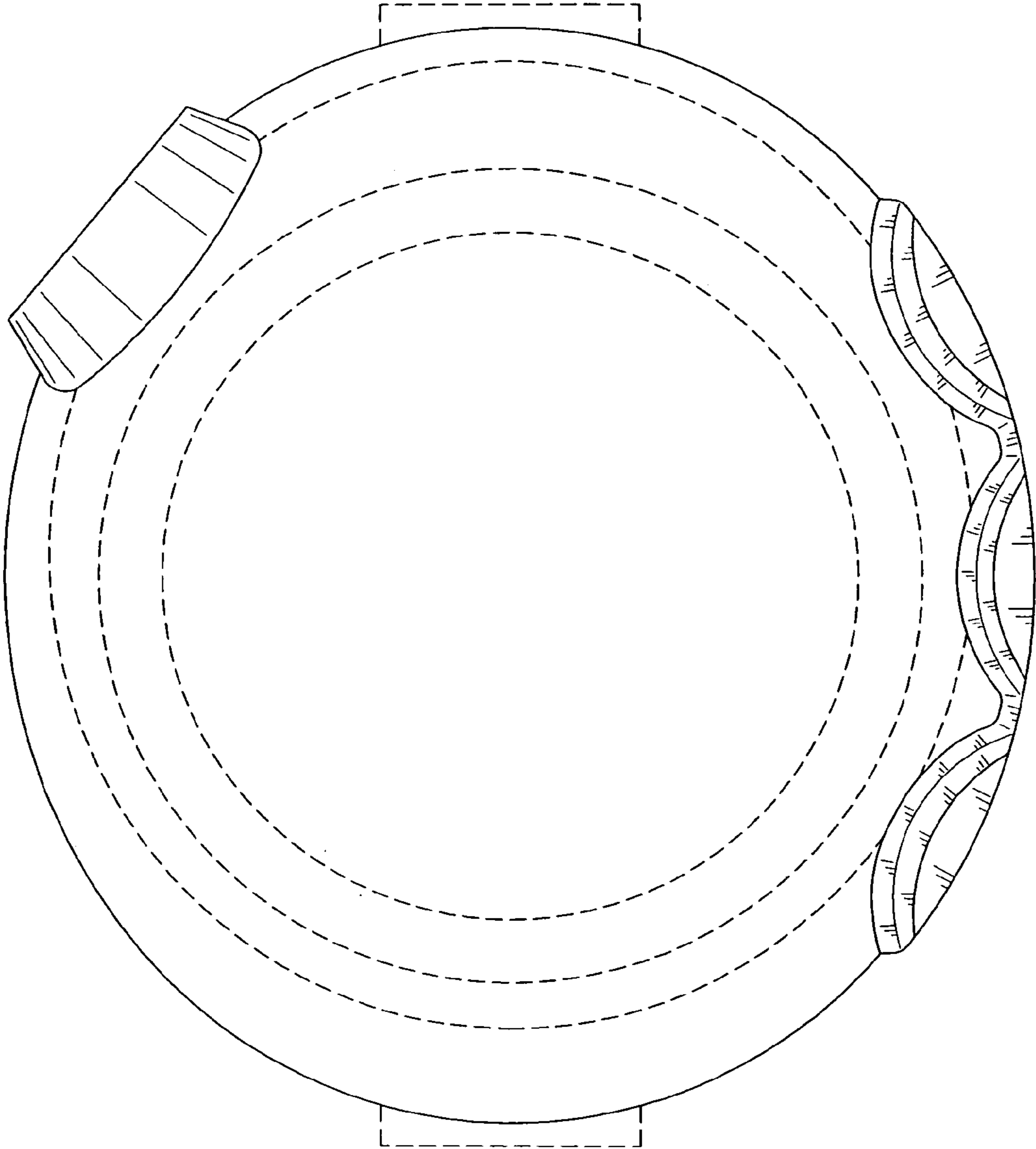


FIG. 2

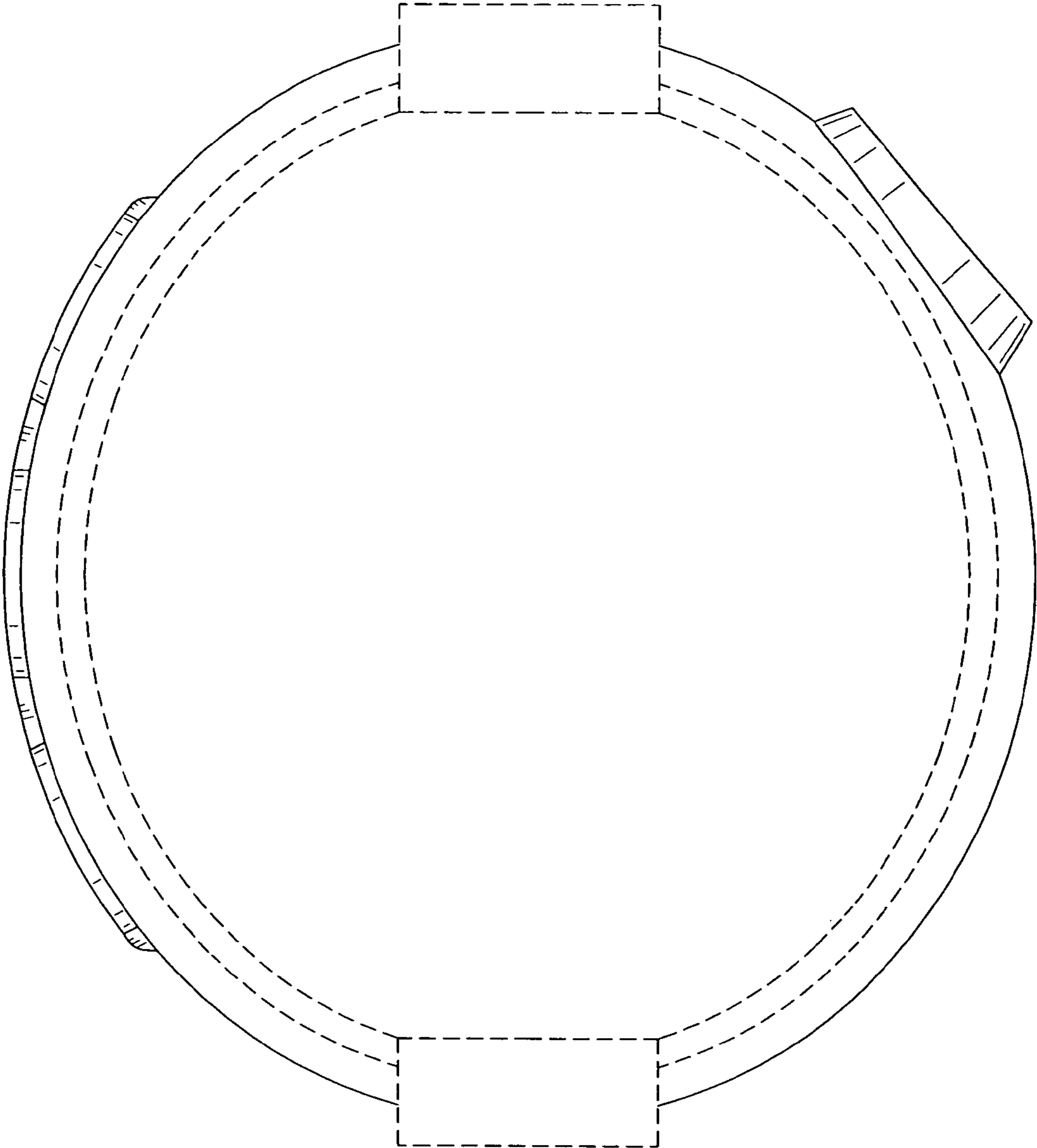


FIG. 3

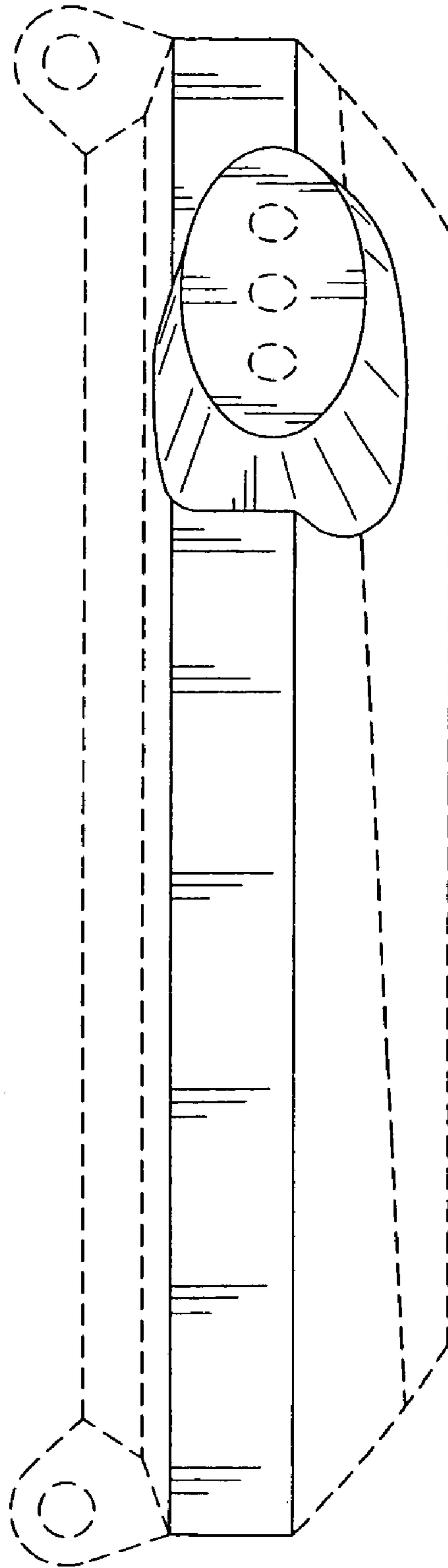


FIG. 4

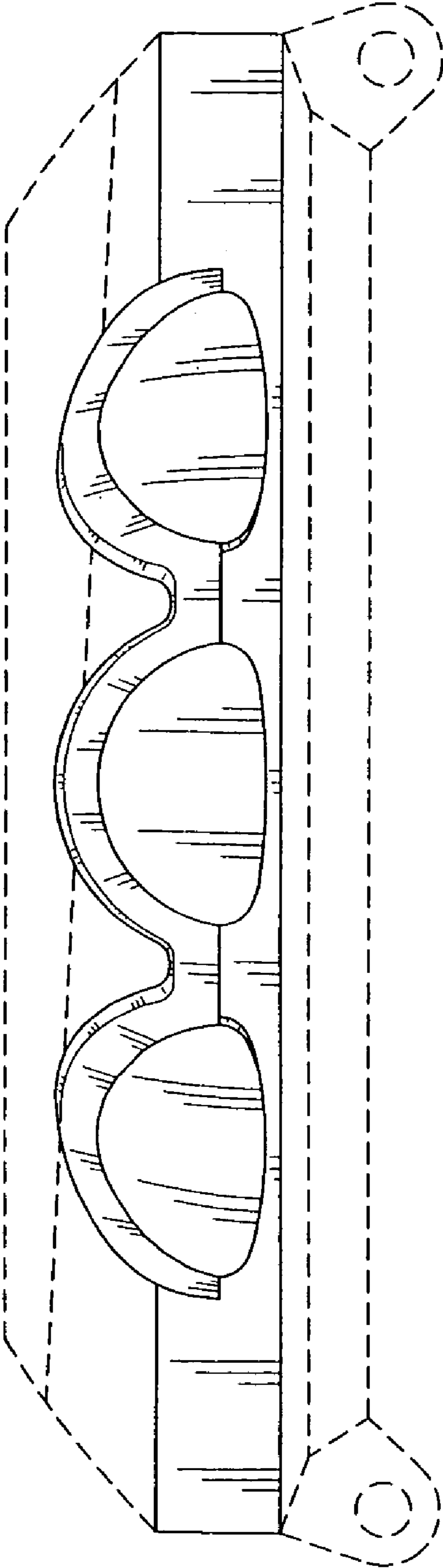


FIG. 5

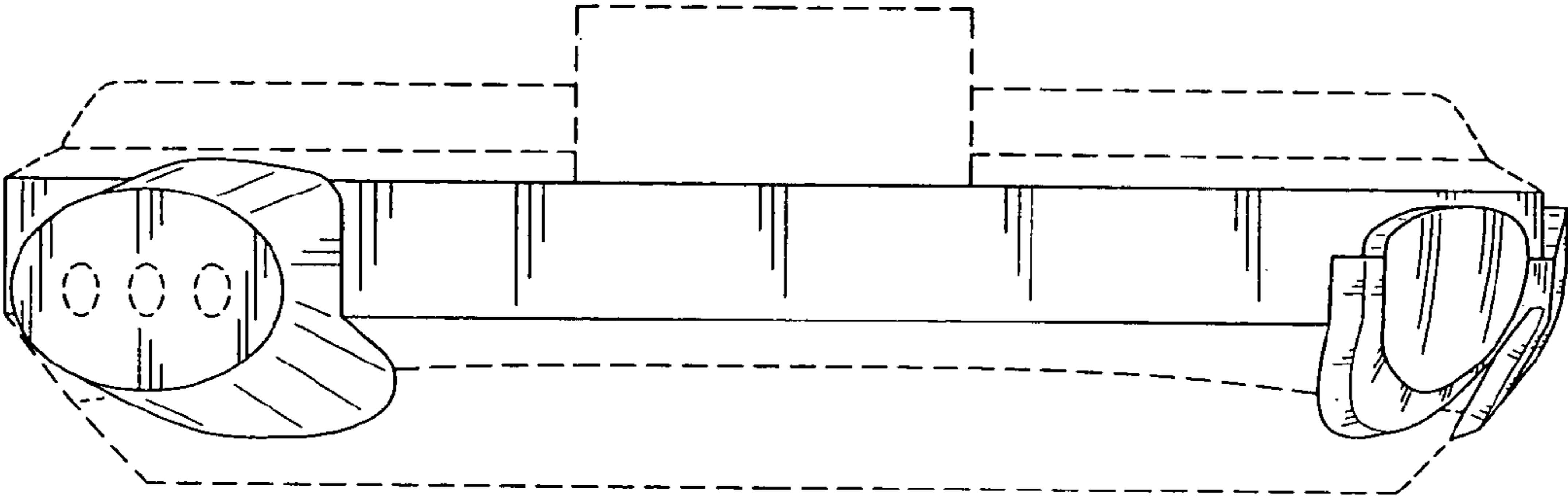


FIG. 6

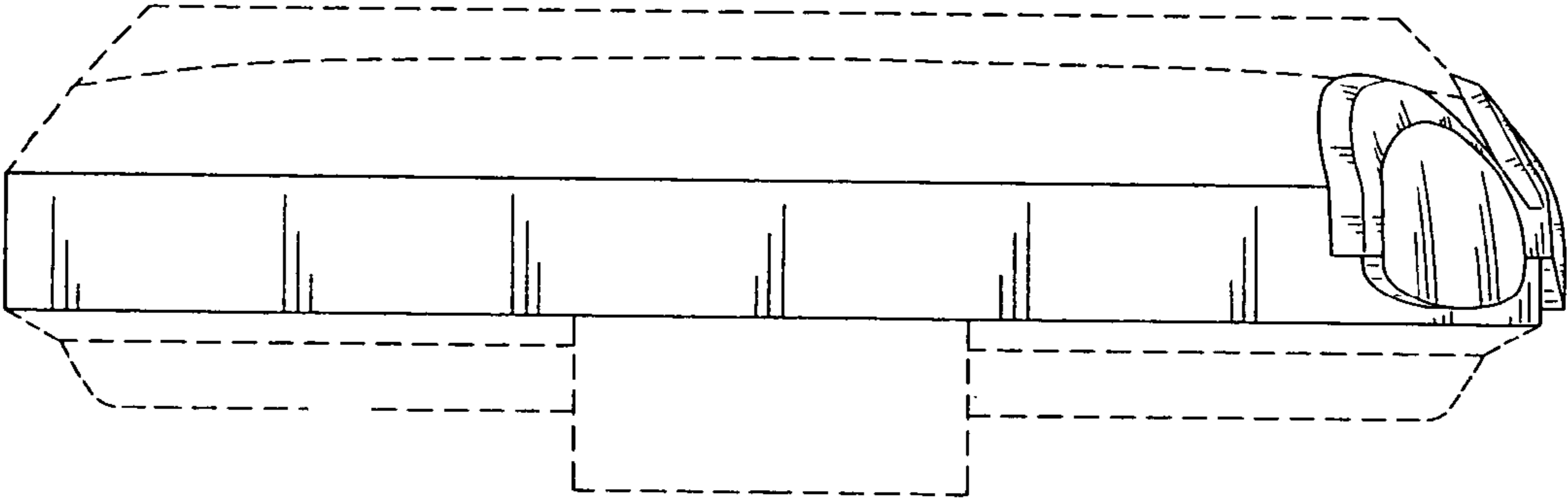


FIG. 7

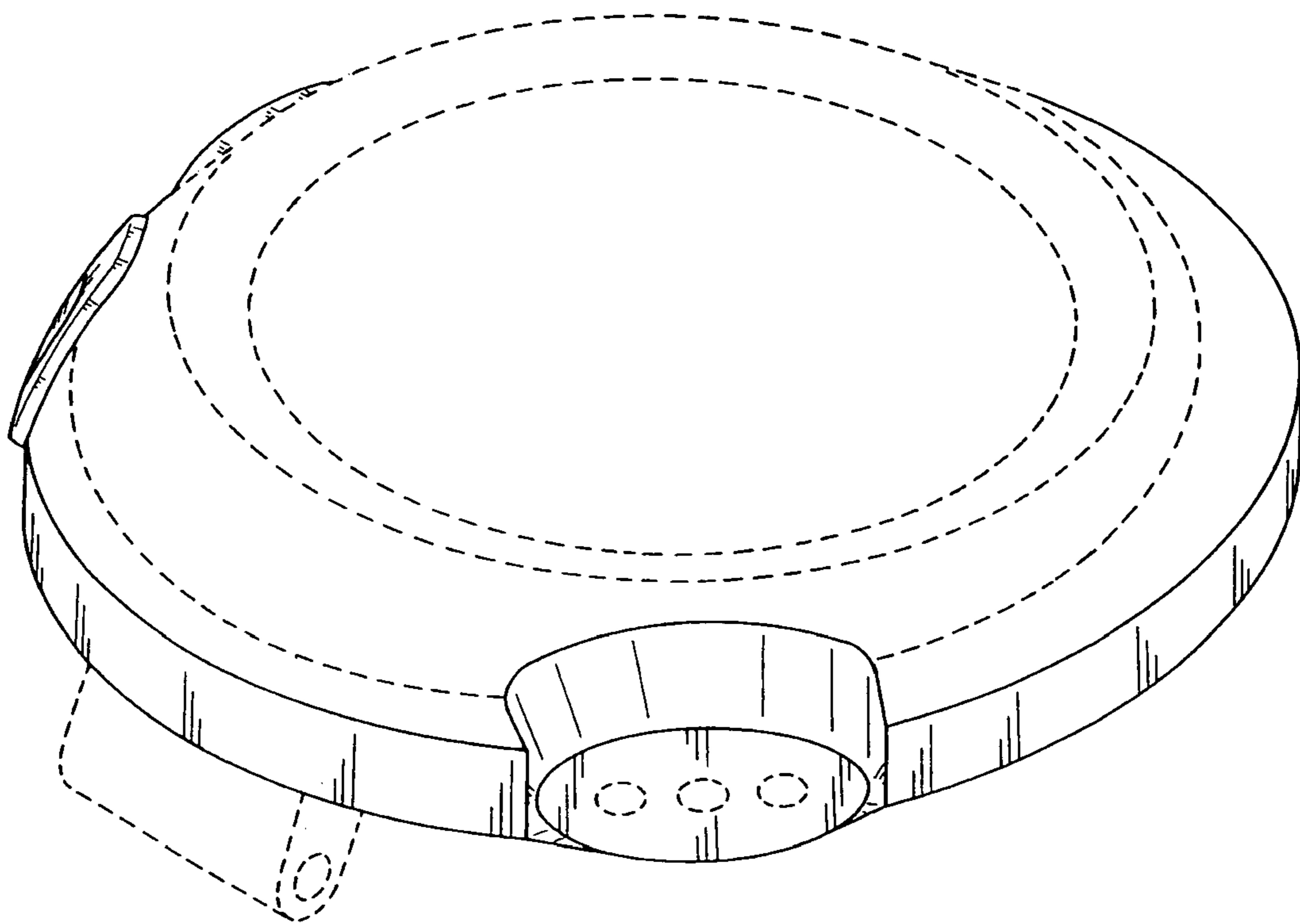


FIG. 8