



US00D546723S

(12) **United States Design Patent**
Saito

(10) **Patent No.:** **US D546,723 S**
(45) **Date of Patent:** **** Jul. 17, 2007**

(54) **METER FOR AUTOMOBILE**

(75) Inventor: **Tsukasa Saito**, Wako (JP)

(73) Assignee: **Honda Motor Co., Ltd.**, Tokyo (JP)

(**) Term: **14 Years**

(21) Appl. No.: **29/236,379**

(22) Filed: **Aug. 16, 2005**

(30) **Foreign Application Priority Data**

Feb. 18, 2005 (JP) 2005-004522

(51) **LOC (8) Cl.** **10-04**

(52) **U.S. Cl.** **D10/102; D10/98; D10/103**

(58) **Field of Classification Search** D10/98,
D10/102, 103, 122, 123, 125, 126, 192; 180/90;
280/750-752; 296/70; 342/357.06, 357.09,
342/357.1, 357.13; 343/702; 345/156, 158,
345/824; 362/29, 489; 455/12.1, 86, 406;
700/17; 701/206-209, 213-214

See application file for complete search history.

(56) **References Cited**

U.S. PATENT DOCUMENTS

6,490,776 B1 * 12/2002 Gager et al. 29/458

D483,309 S * 12/2003 Wyszogrod D12/192
D494,115 S * 8/2004 McPeck et al. D12/192
7,100,959 B1 * 9/2006 Herrera, Jr. 296/70
2004/0125587 A1 * 7/2004 Wada et al. 362/29
2005/0151032 A1 * 7/2005 Chen 248/27.1

* cited by examiner

Primary Examiner—Antoine D. Davis

(74) *Attorney, Agent, or Firm*—Westerman, Hattori, Daniels & Adrian, LLP.

(57) **CLAIM**

The ornamental design for a meter for automobile, as shown and described.

DESCRIPTION

FIG. 1 is a perspective view of a meter for automobile; and, FIG. 2 is a front elevation view thereof.

The portion of the article shown in broken lines is for illustrative purpose only and forms no part of the claimed design.

1 Claim, 2 Drawing Sheets

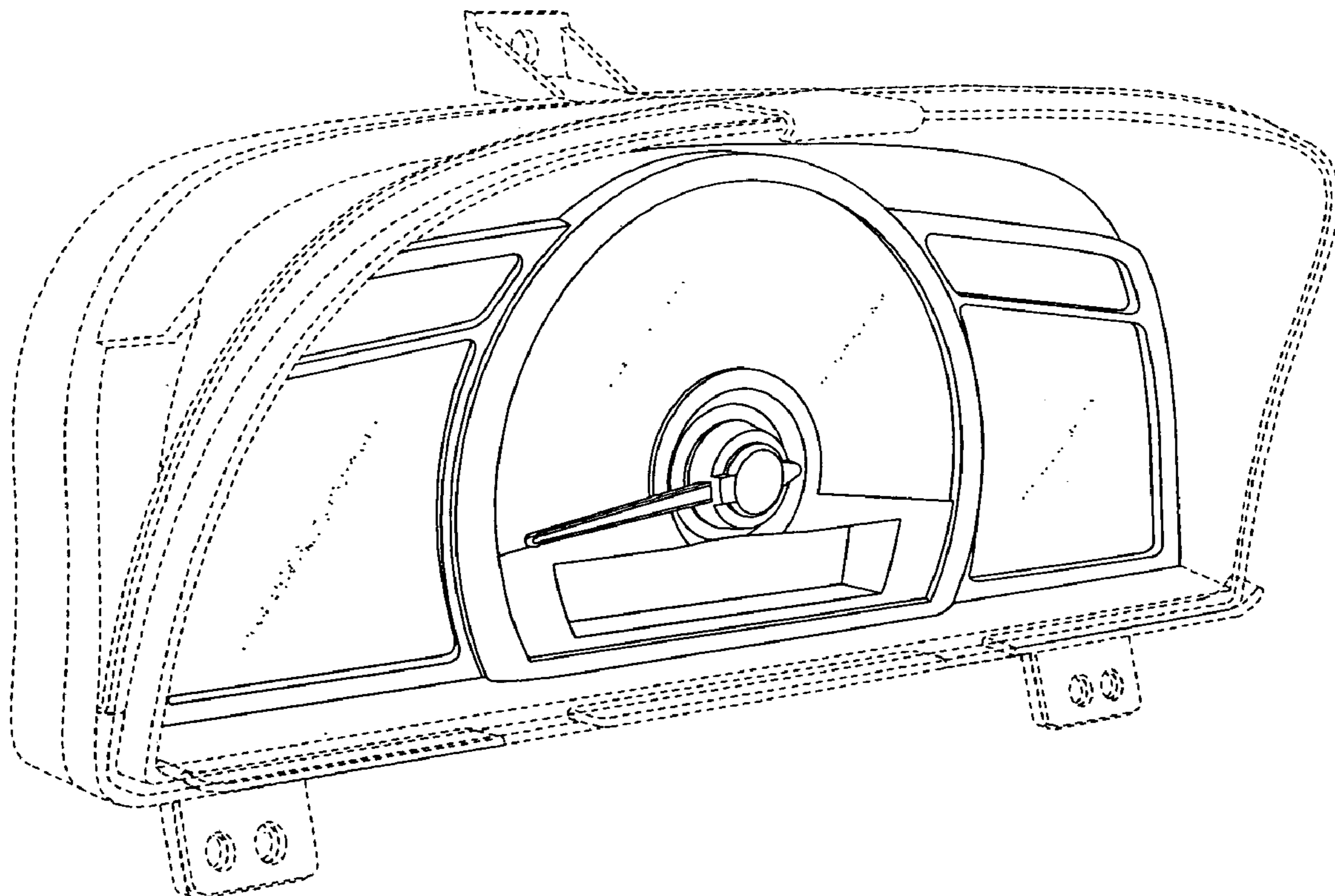


FIG. 1

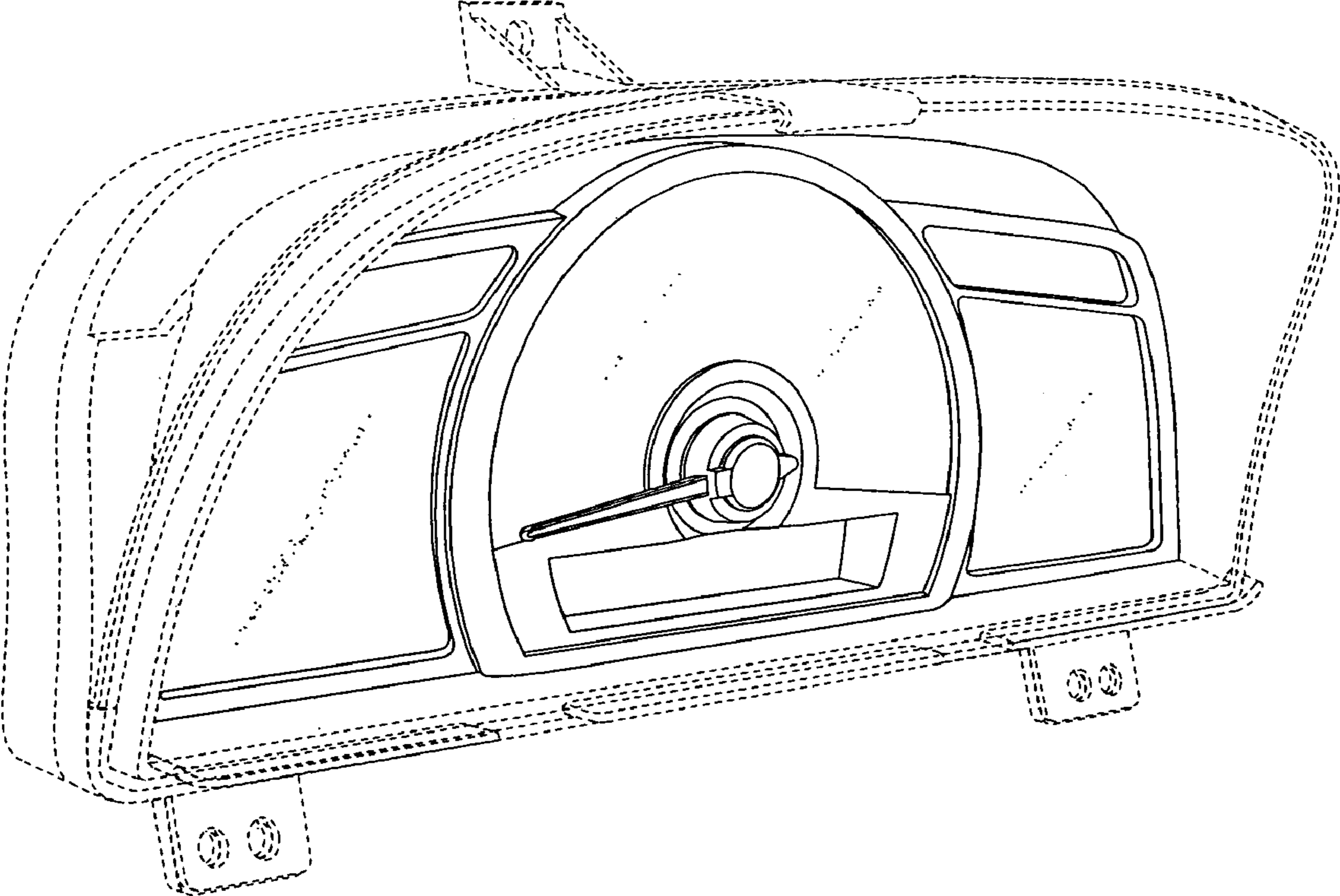


FIG. 2

