

US00D546720S

(12) **United States Design Patent**
Goh

(10) **Patent No.:** **US D546,720 S**

(45) **Date of Patent:** **** Jul. 17, 2007**

(54) **OXYGEN DETECTORS**

(75) Inventor: **Kian Guan Goh**, Singapore (SG)

(73) Assignee: **O2 Sensor New Technology Group Pte Ltd**, Singapore (SG)

(**) Term: **14 Years**

(21) Appl. No.: **29/235,992**

(22) Filed: **Aug. 10, 2005**

(51) **LOC (8) Cl.** **10-04**

(52) **U.S. Cl.** **D10/81**

(58) **Field of Classification Search** D10/81;
73/23.32; 123/119 E; 174/74 R; 204/421,
204/195 S; 338/34; 422/94-98; 427/343,
427/344; 436/152

See application file for complete search history.

(56) **References Cited**

U.S. PATENT DOCUMENTS

4,096,050 A * 6/1978 Kobayashi et al. 204/428
4,405,429 A * 9/1983 Nishio 204/421

* cited by examiner

Primary Examiner—Antoine D. Davis

(74) *Attorney, Agent, or Firm*—Lawrence Y. D. Ho & Associates

(57) **CLAIM**

I claim the ornamental design for an oxygen detector, as shown.

DESCRIPTION

FIG. 1 is a perspective elevation view of an oxygen detector according to my new design;

FIG. 2 is a top view thereof;

FIG. 3 is a bottom view thereof;

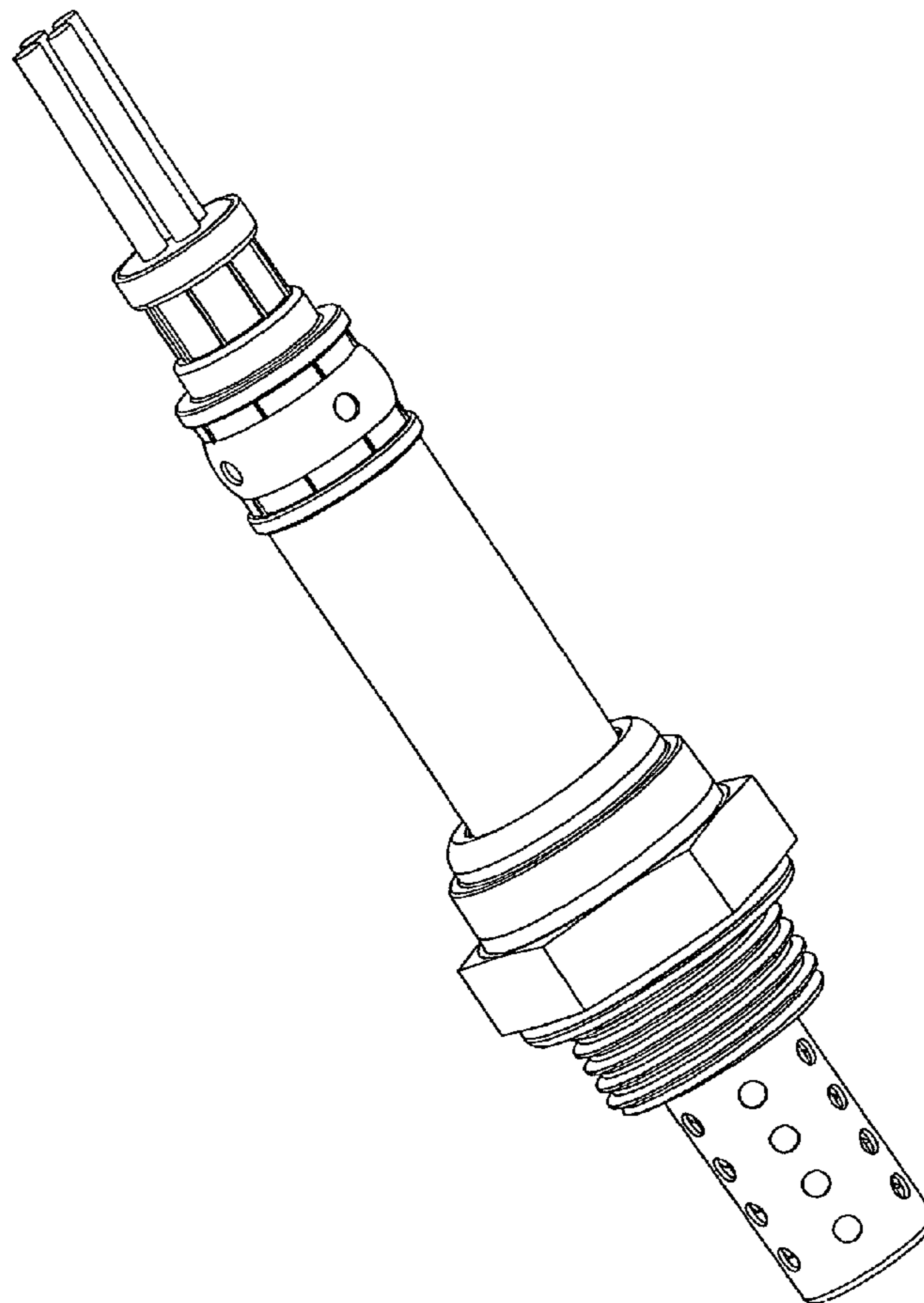
FIG. 4 is a front view thereof;

FIG. 5 is a back view thereof;

FIG. 6 is a left side view thereof; and,

FIG. 7 is a right side view thereof.

1 Claim, 7 Drawing Sheets



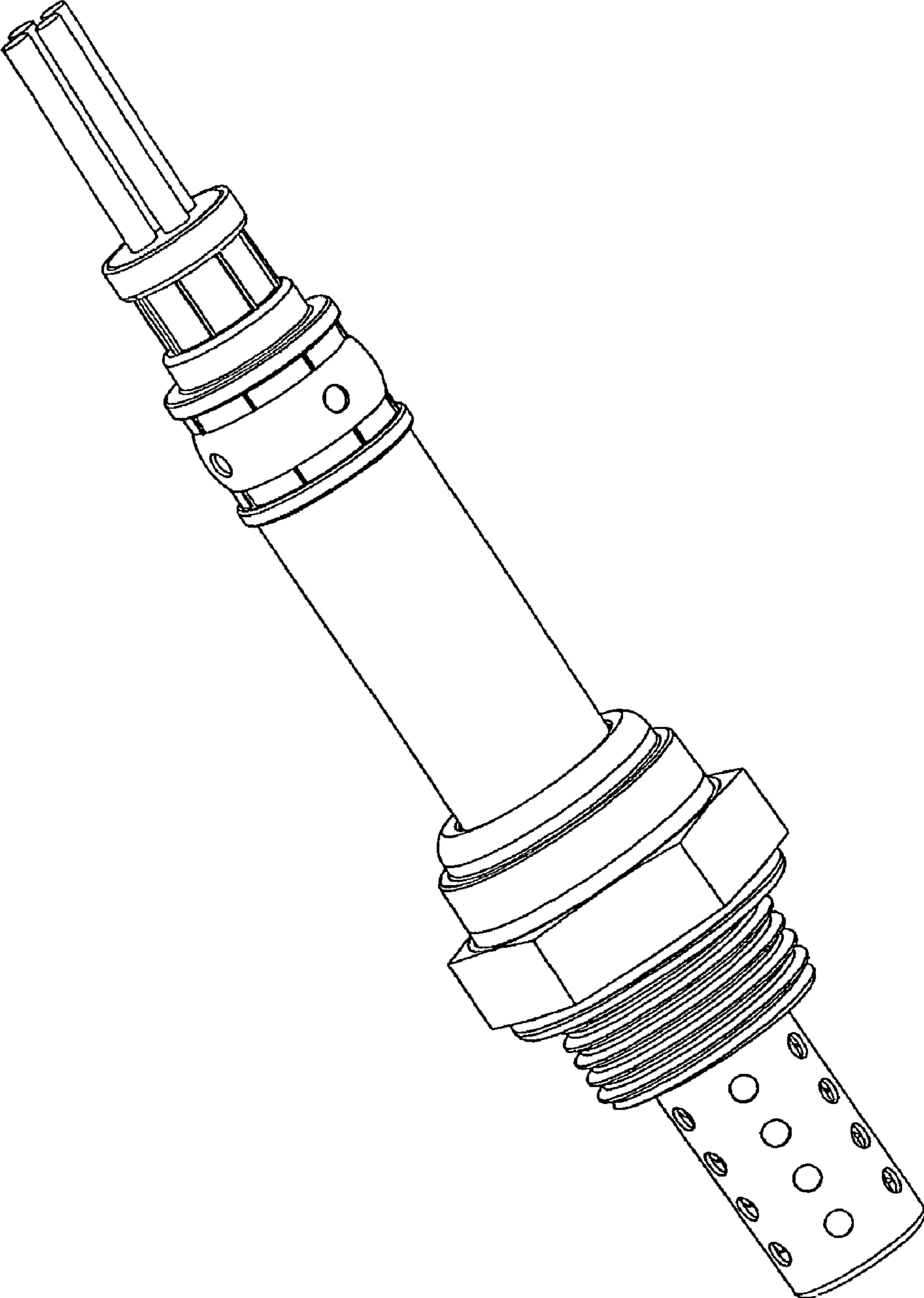


Fig. 1

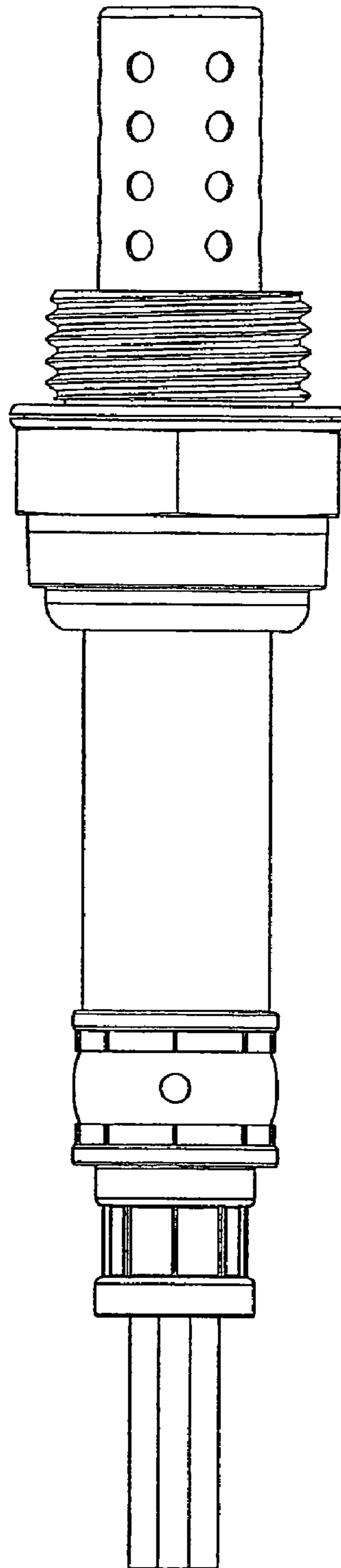


Fig. 2

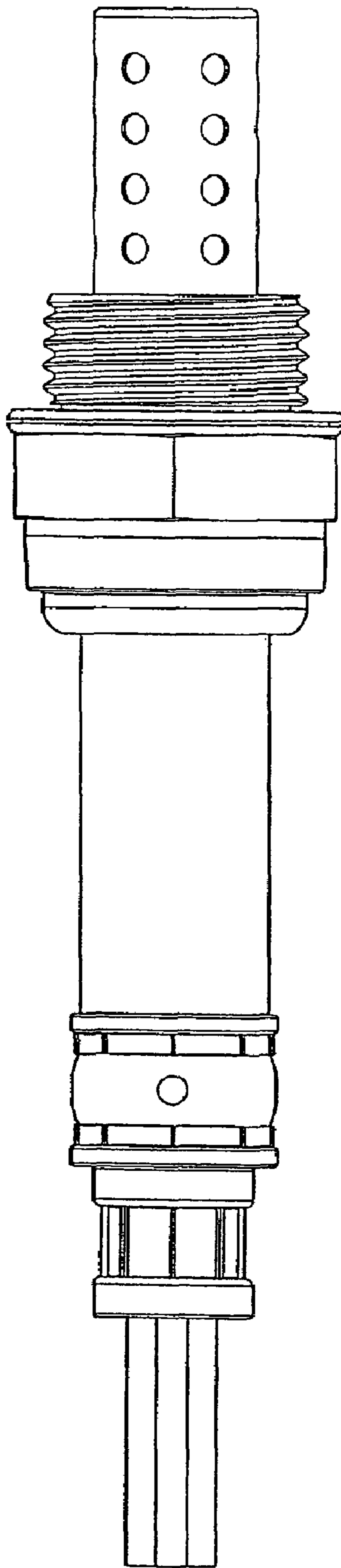


Fig. 3

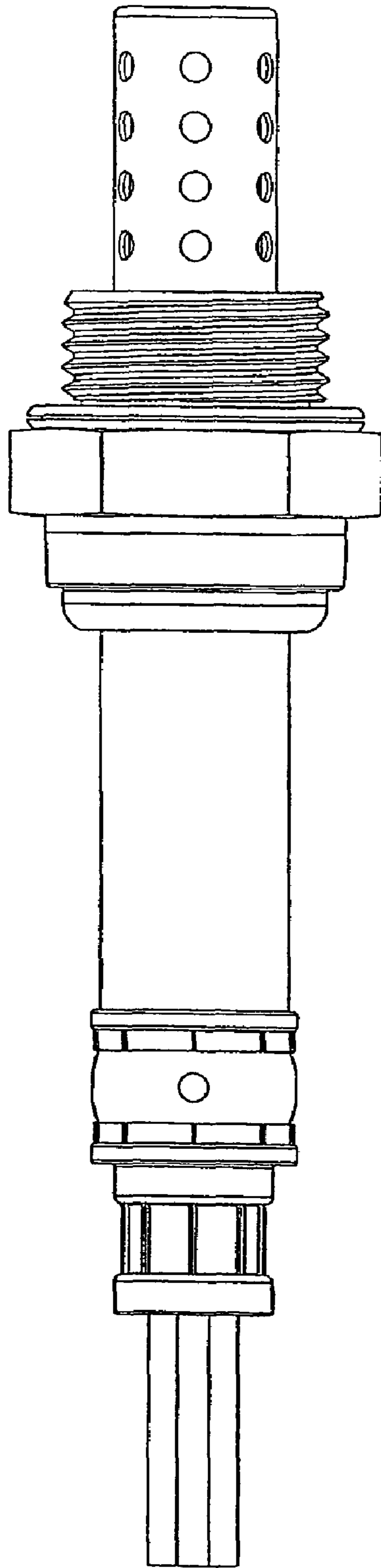


Fig. 4

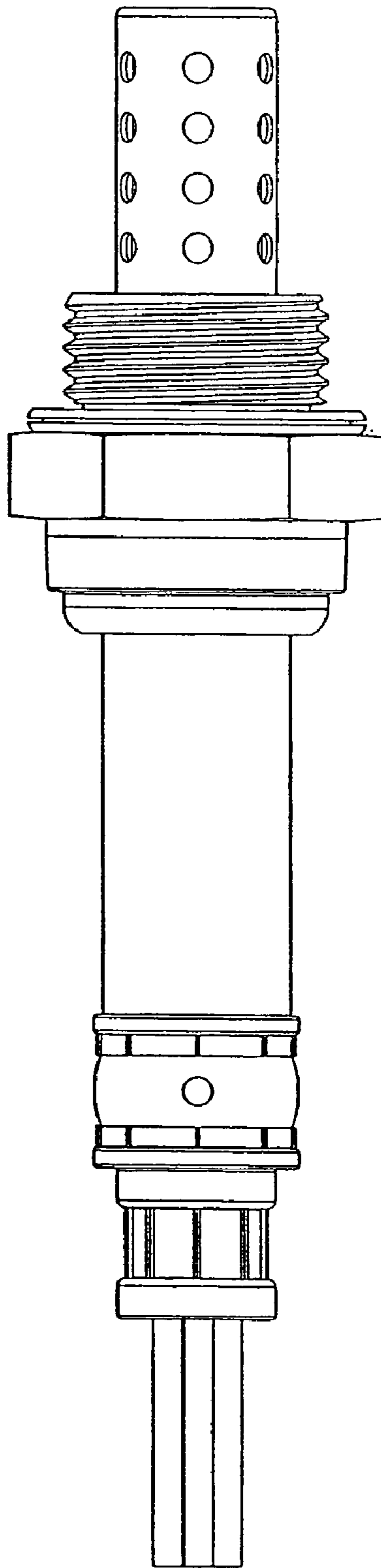


Fig 5

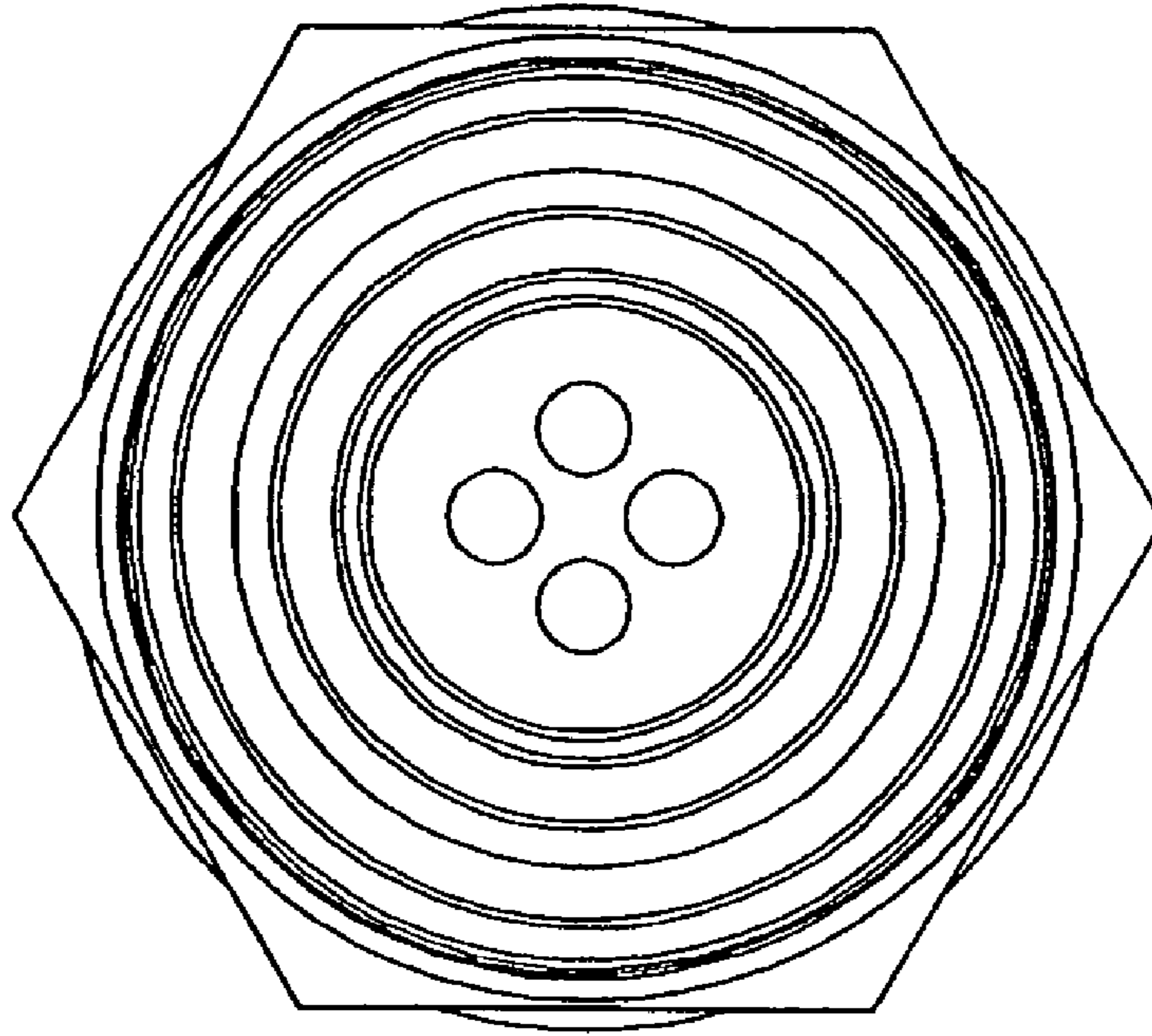


Fig. 6

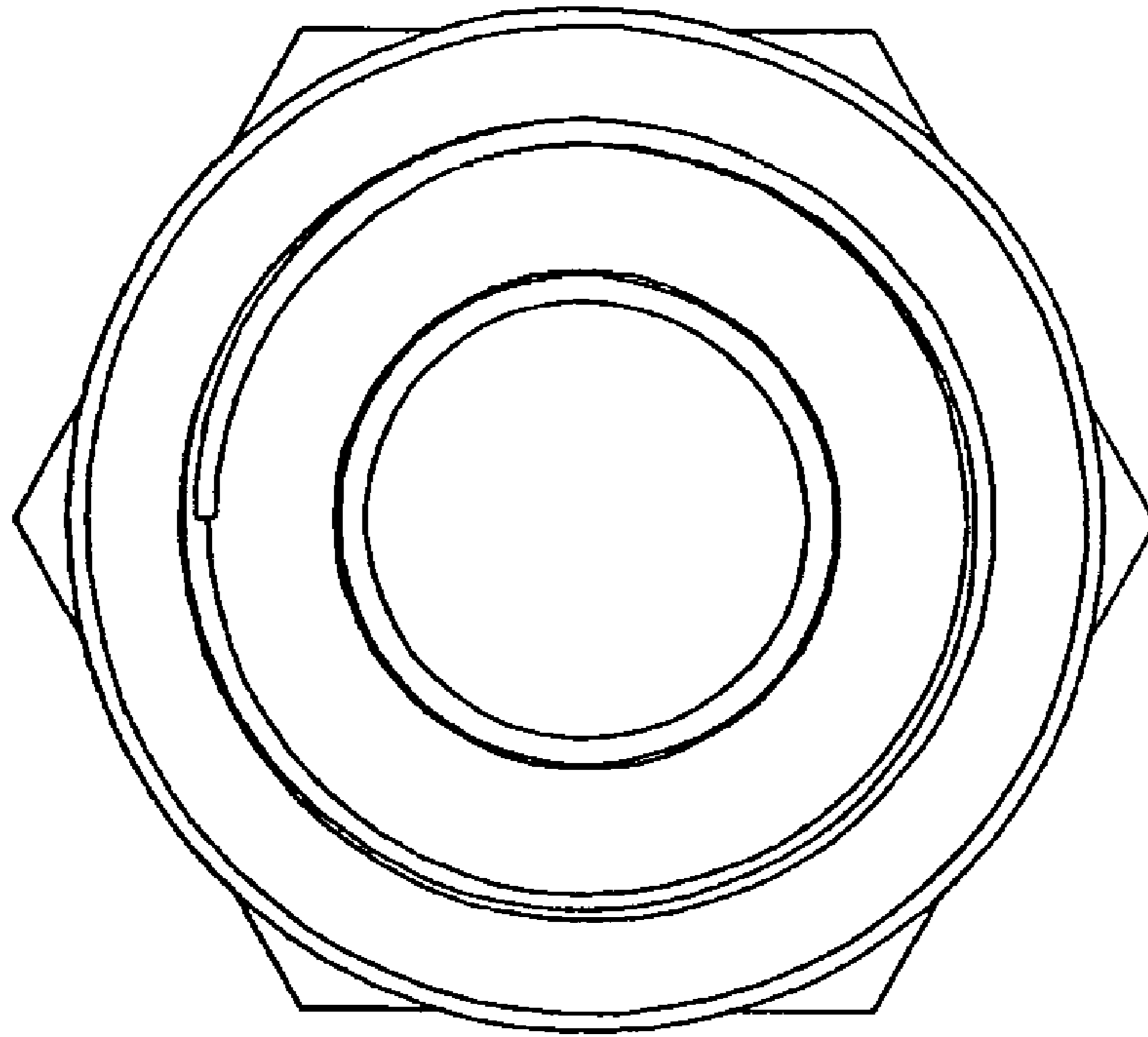


Fig. 7