

US00D546719S

(12) **United States Design Patent**  
**Lalonde**

(10) **Patent No.:** **US D546,719 S**

(45) **Date of Patent:** **\*\* Jul. 17, 2007**

(54) **DEVICE FOR SIZING A HUMAN FEMALE BREAST**

2006/0136069 A1\* 6/2006 Francalacci Franca ... 623/23.67  
\* cited by examiner

(75) Inventor: **Donald H. Lalonde**, Saint John (CA)

*Primary Examiner*—Antoine D. Davis

(73) Assignee: **Accurate Surgical & Scientific Instruments Corporation**, Westbury, NY (US)

(74) *Attorney, Agent, or Firm*—Jordan and Hamburg LLP

(\*\*) Term: **14 Years**

(57) **CLAIM**

The ornamental design for a device for sizing a human female breast, as shown and described.

(21) Appl. No.: **29/265,385**

**DESCRIPTION**

(22) Filed: **Aug. 30, 2006**

FIG. 1 is a perspective view of a device for sizing a human female breast showing our new design;

(51) **LOC (8) Cl.** ..... **10-04**

FIG. 2 is a top plan view thereof;

(52) **U.S. Cl.** ..... **D10/64**

FIG. 3 is a right side elevational view thereof; and,

(58) **Field of Classification Search** ..... D10/64;  
33/511-512

FIG. 4 is a bottom plan view thereof.

See application file for complete search history.

The design is symmetrical such that a left side elevational view is mirror image of a right side elevational view.

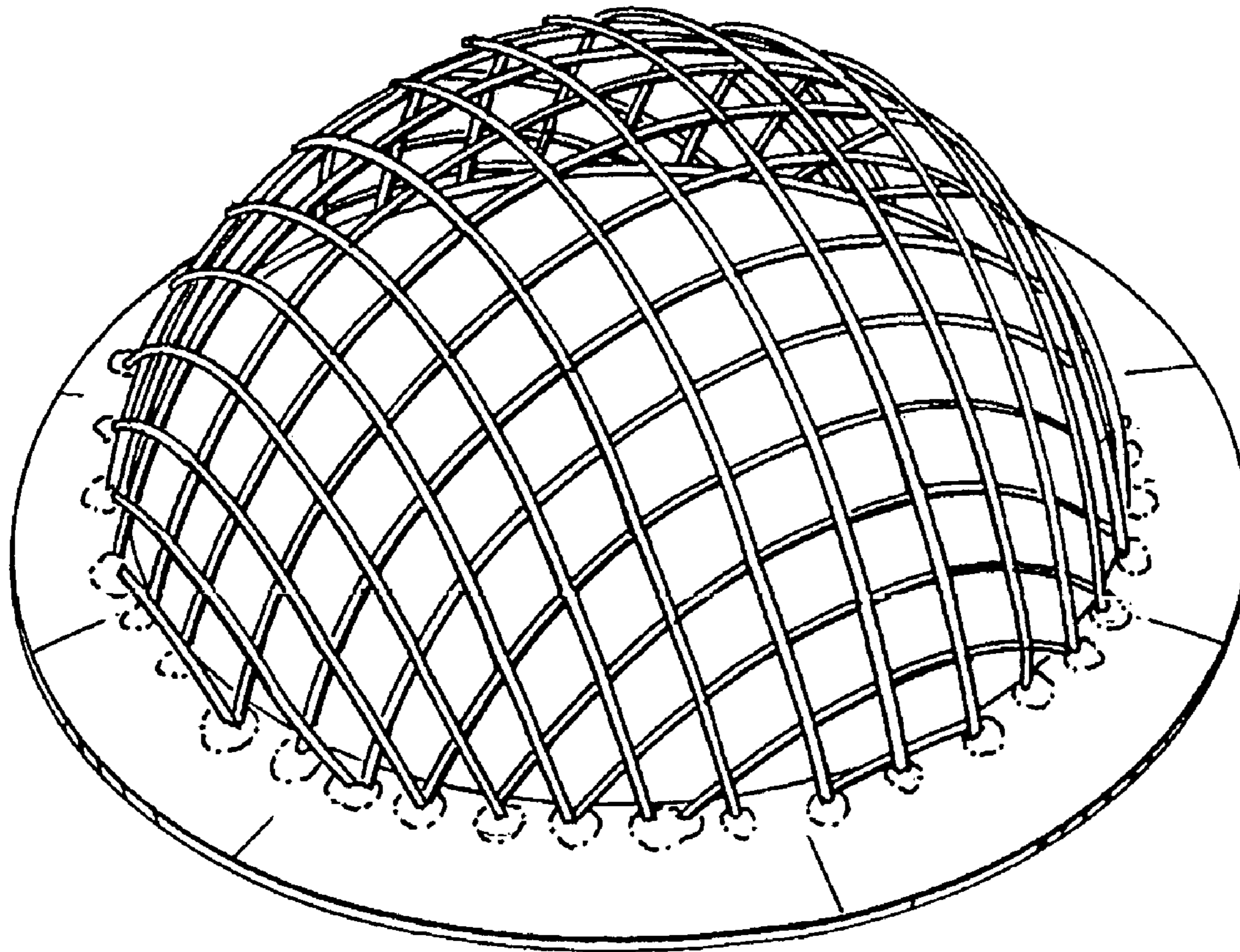
(56) **References Cited**

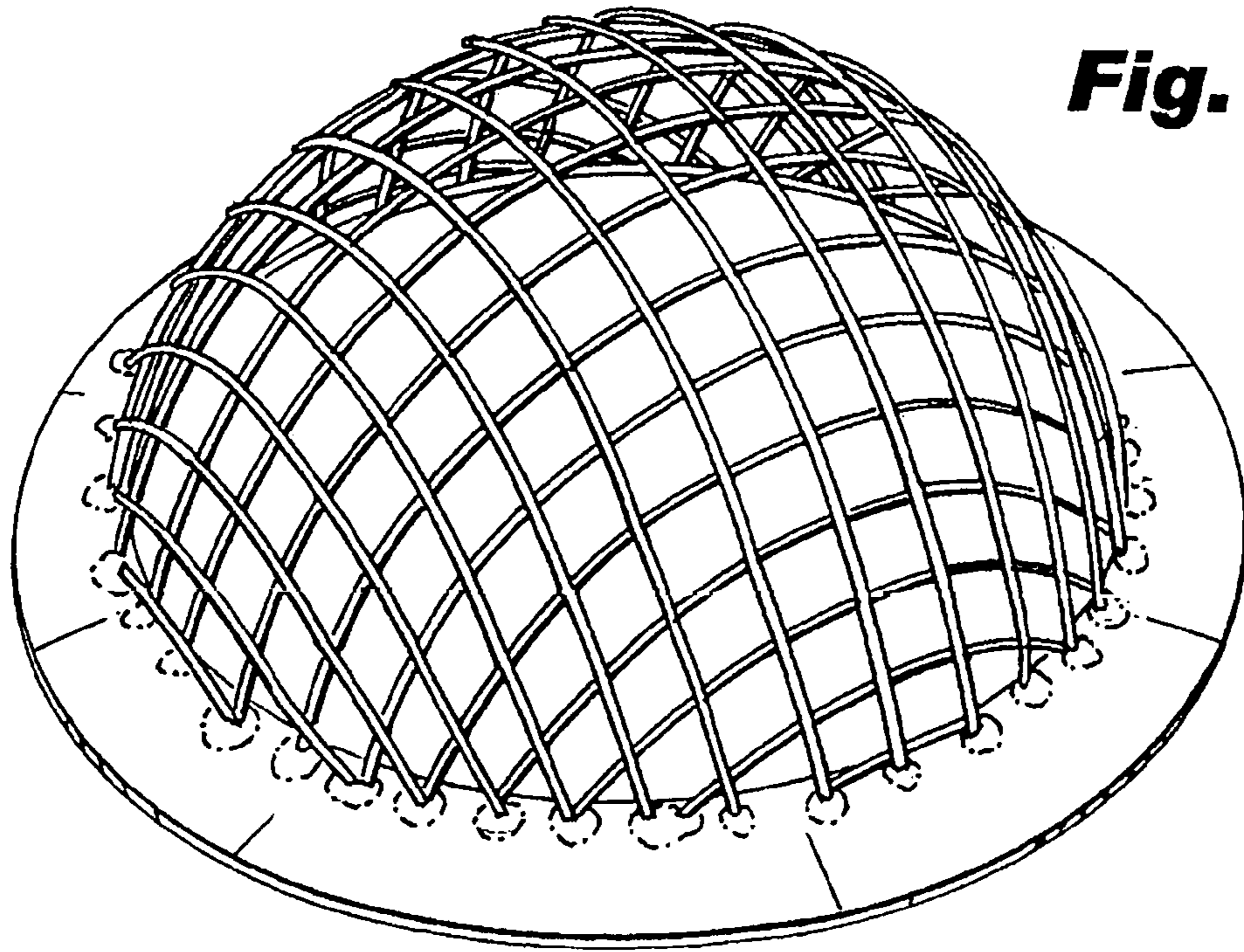
The broken line showings are included for the purpose of illustrating non-claimed subject matter and forms no part of the claimed design.

**U.S. PATENT DOCUMENTS**

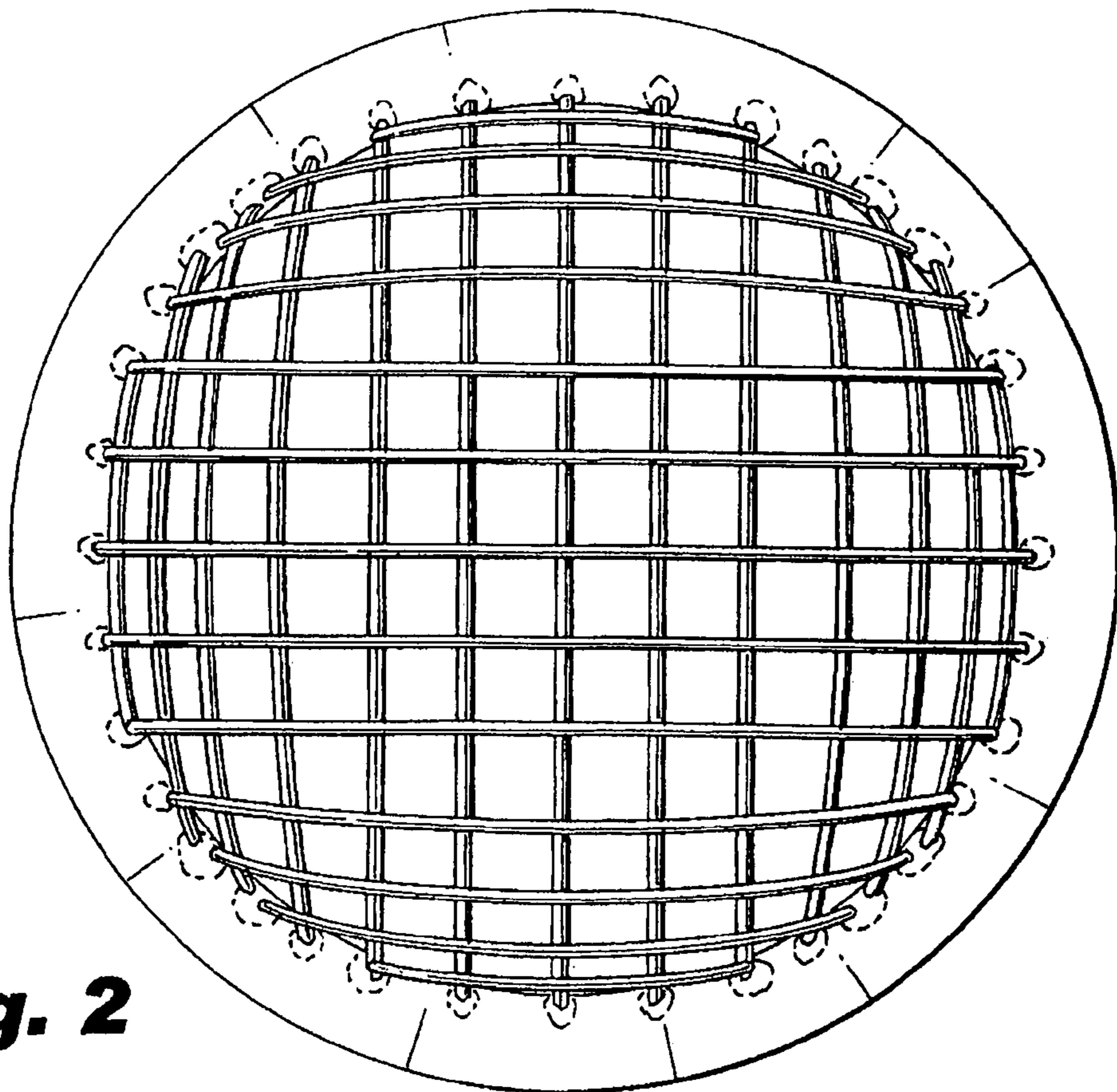
- 4,219,029 A \* 8/1980 Grossman et al. .... 600/587
- D348,618 S \* 7/1994 Leslie et al. .... D10/64

**1 Claim, 2 Drawing Sheets**

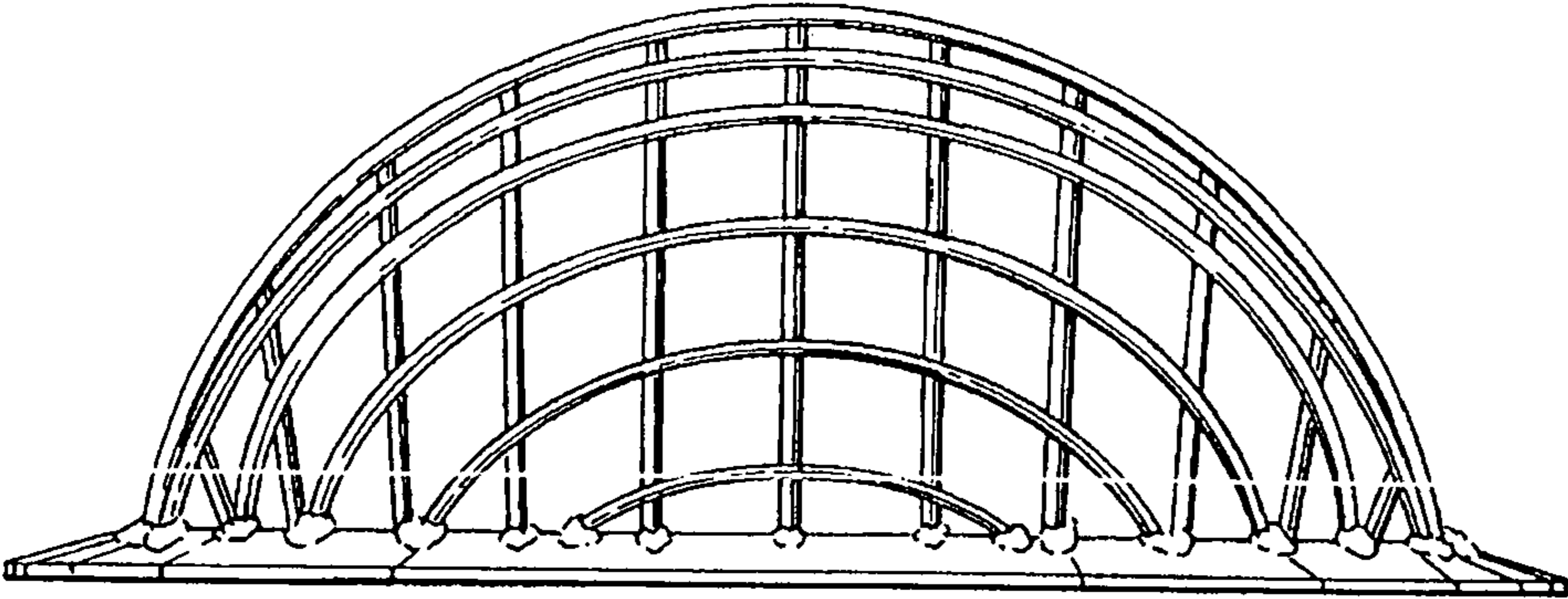




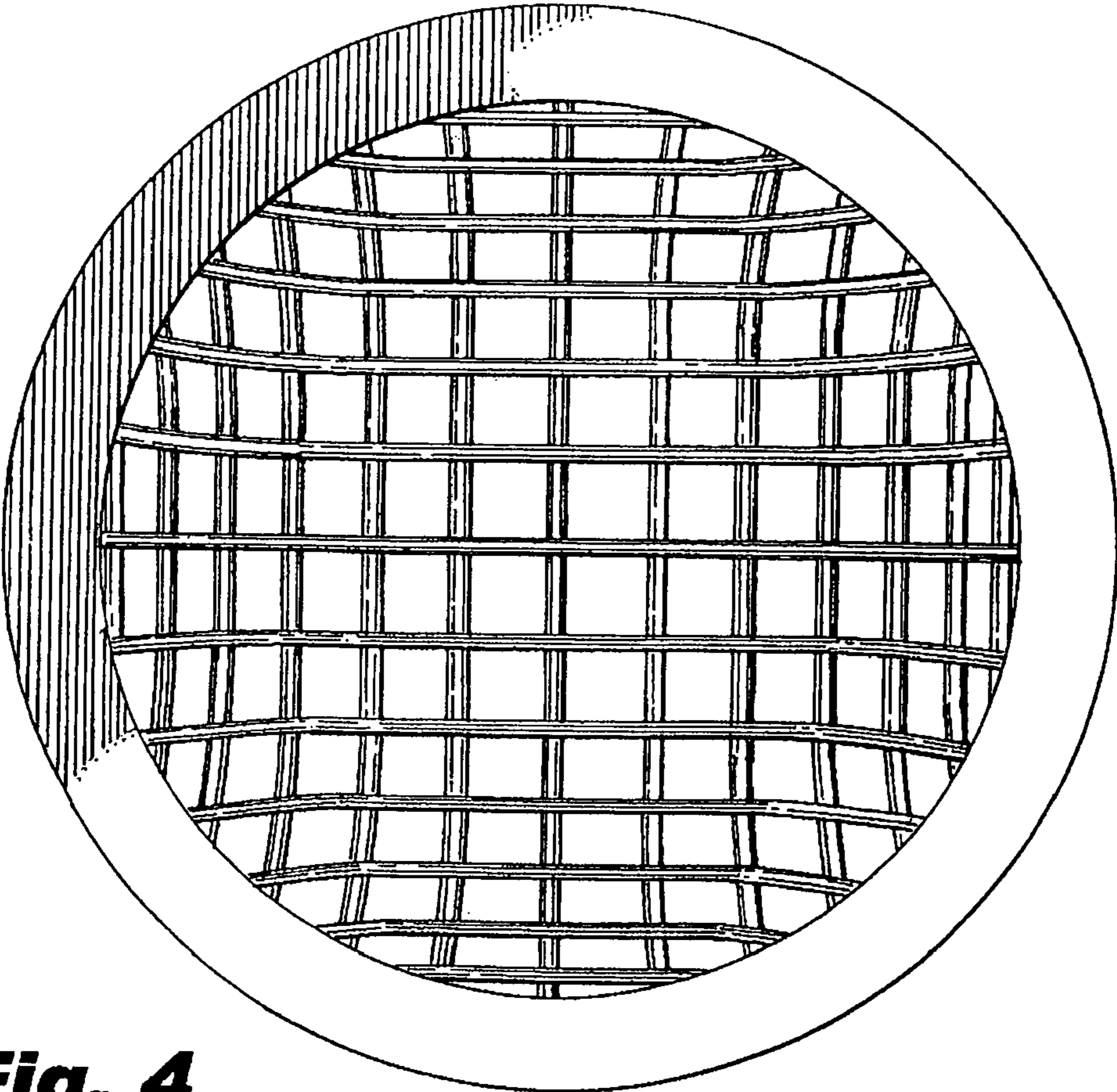
**Fig. 1**



**Fig. 2**



**Fig. 3**



**Fig. 4**