



US00D546717S

(12) **United States Design Patent**
Piot

(10) **Patent No.:** **US D546,717 S**

(45) **Date of Patent:** **** Jul. 17, 2007**

(54) **WATCH CASE WITH JEWELS**

D520,382 S * 5/2006 Vigneron D10/32
D522,884 S * 6/2006 Peraldi et al. D10/32

(75) Inventor: **André Piot**, Valenza (IT)

OTHER PUBLICATIONS

(73) Assignee: **La Casa Vhernier S.R.L.**, Valenza (IT)

European Jeweler, Apr. 1983, p. 53, Rado watch.*

(**) Term: **14 Years**

* cited by examiner

(21) Appl. No.: **29/239,612**

Primary Examiner—Lucy Lieberman

(22) Filed: **Sep. 30, 2005**

(74) *Attorney, Agent, or Firm*—Kirkpatrick & Lockhart
Preston Gates Ellis LLP; Roger Pitt

(30) **Foreign Application Priority Data**

(57) **CLAIM**

Mar. 30, 2005 (CH) 131718

I claim the ornamental design for a watch case with jewels,
as shown and described.

(51) **LOC (8) Cl.** **10-02**

(52) **U.S. Cl.** **D10/39**

(58) **Field of Classification Search** D10/30–39,
D10/122–132; 368/276–278, 281–283, 285,
368/228, 232

DESCRIPTION

See application file for complete search history.

FIG. 1 is a front view of a first embodiment of a watch case
with jewels showing my new design;

FIG. 2 is a rear view of the watch case with jewels shown
in FIG. 1;

(56) **References Cited**

U.S. PATENT DOCUMENTS

- D217,012 S * 3/1970 Cowan D10/38
- 4,412,751 A * 11/1983 Jeannet et al. 368/276
- D390,479 S * 2/1998 Brandys et al. D10/39
- D400,448 S * 11/1998 Wunderman D10/32
- D410,854 S * 6/1999 Cheung et al. D10/39
- D414,706 S * 10/1999 Jorst D10/32
- D430,041 S * 8/2000 Pequignet D10/32
- D431,784 S * 10/2000 Vananty D10/32
- D434,676 S * 12/2000 Pequignet D10/32
- D447,704 S * 9/2001 Deguines D10/39
- D462,280 S * 9/2002 Cheng D10/39
- 6,739,748 B2 * 5/2004 Della Santa 368/283

FIG. 3 is a bottom perspective view of the watch case with
jewels shown in FIG. 1;

FIG. 4 is a top view of the watch case with jewels shown in
FIG. 1;

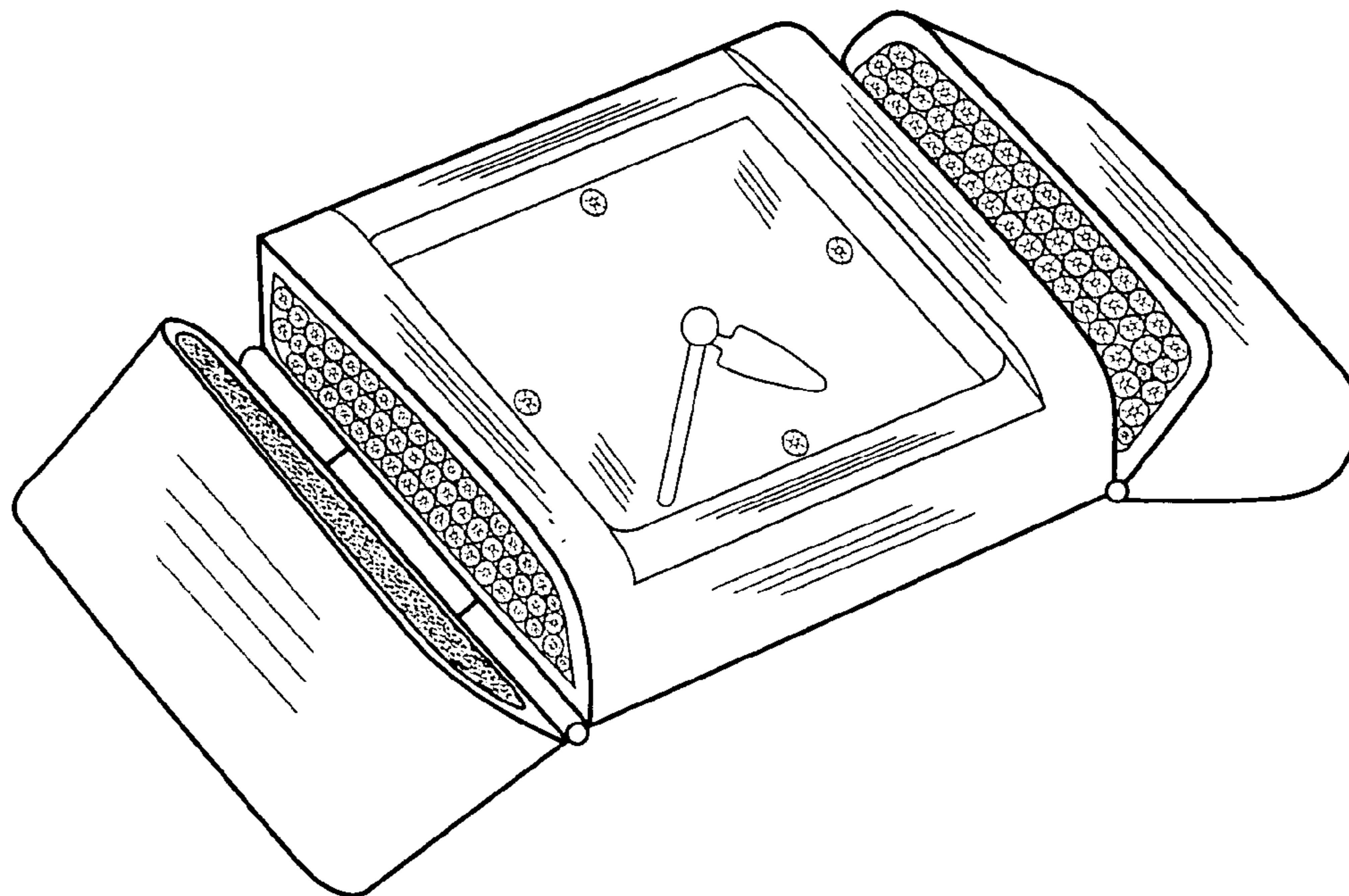
FIG. 5 is a bottom view of the watch case with jewels shown
in FIG. 1;

FIG. 6 is a left side view of FIG. 1; and,

FIG. 7 is a right side view of FIG. 1.

The broken line in FIG. 2 is for illustrative purposes only
and does not form part of the claimed design.

1 Claim, 2 Drawing Sheets



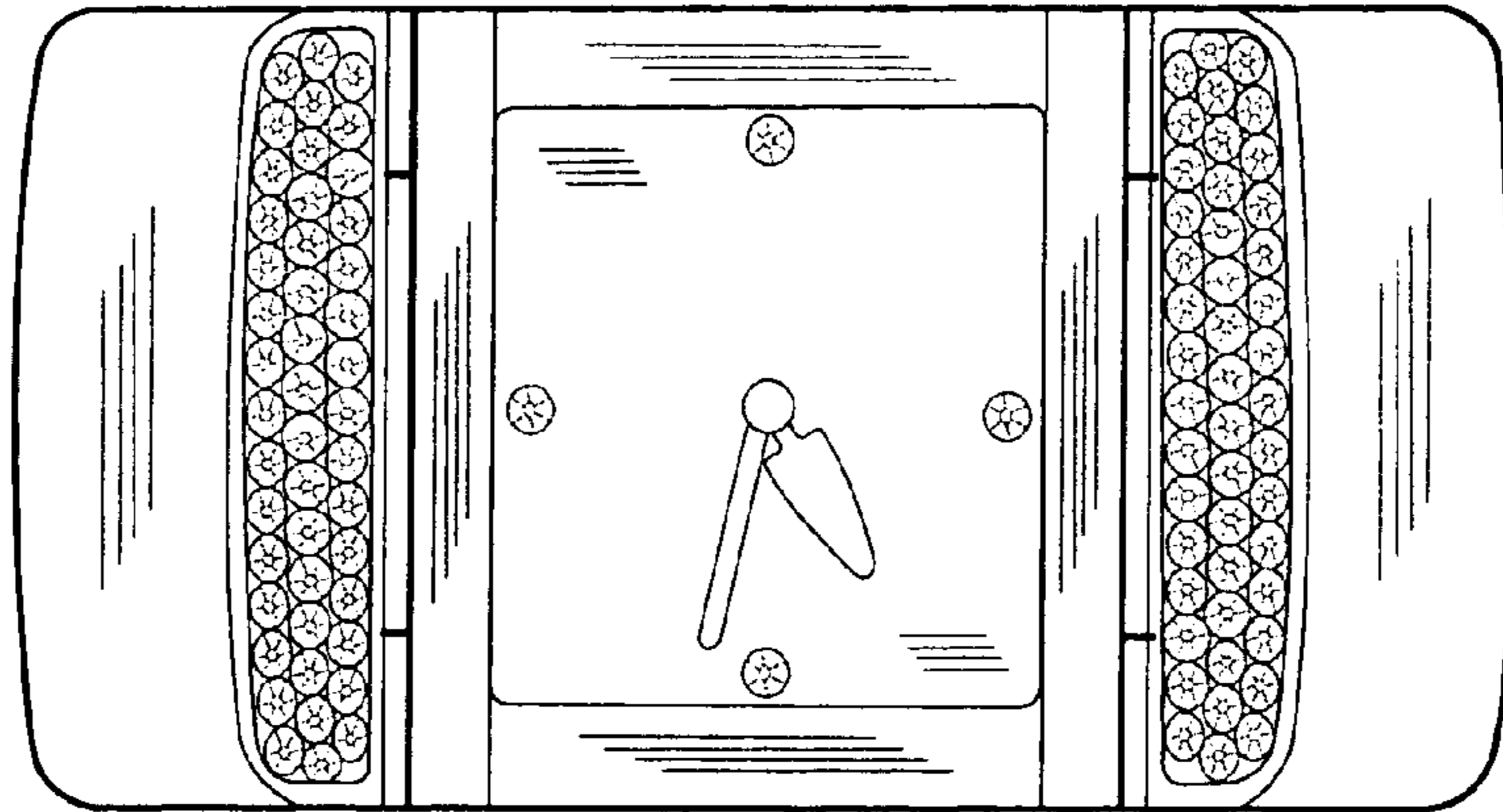


Fig. 1

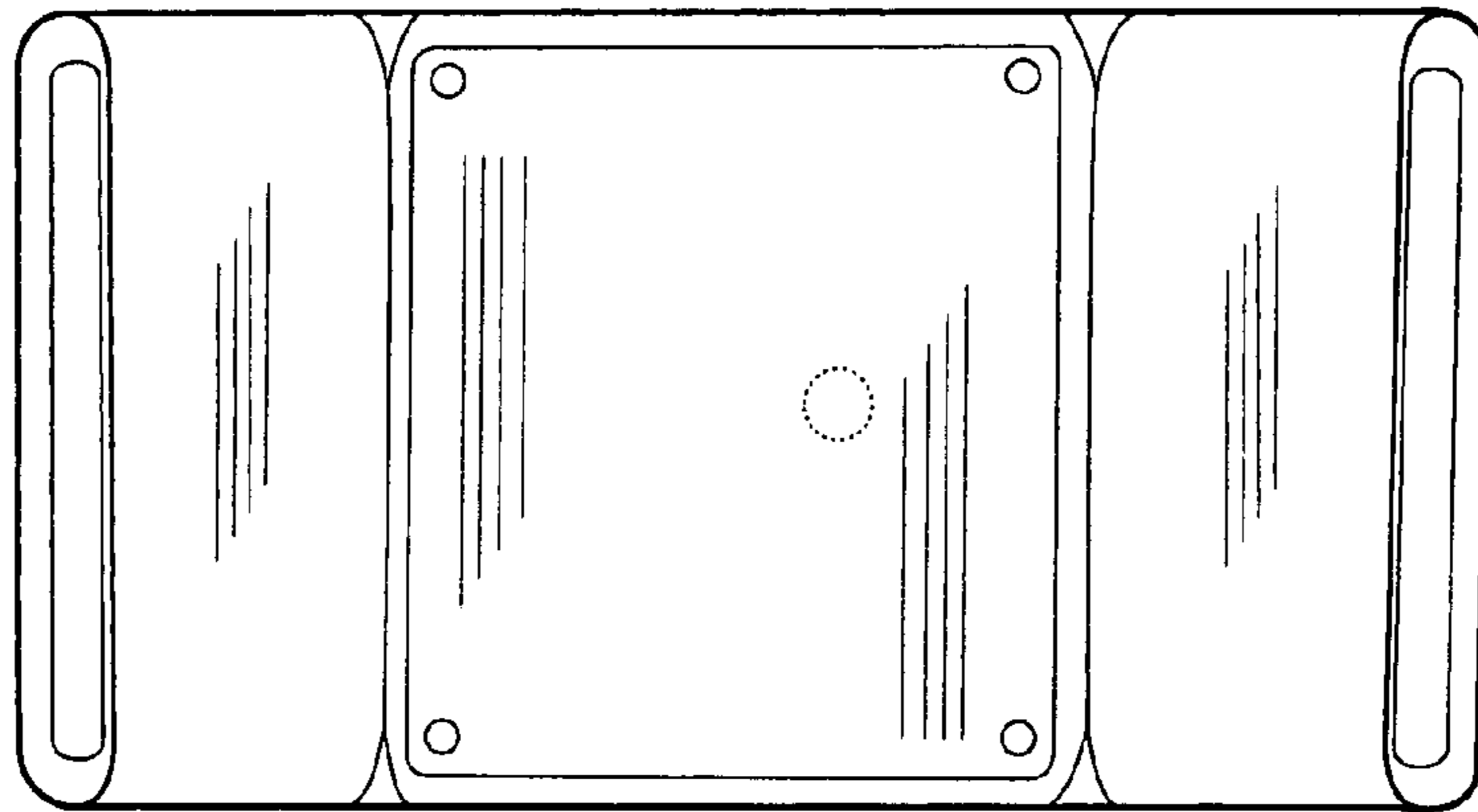


Fig. 2

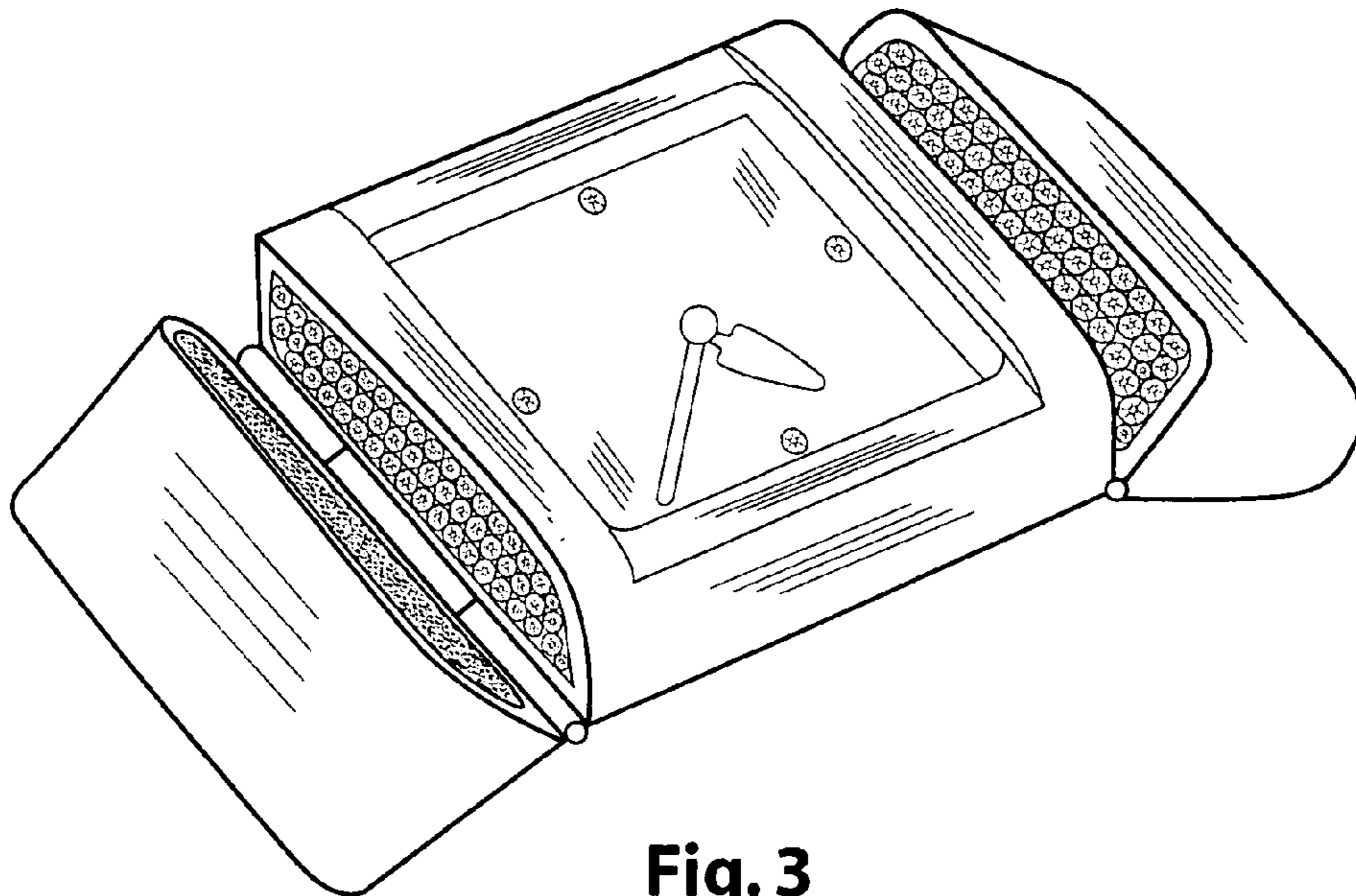


Fig. 3

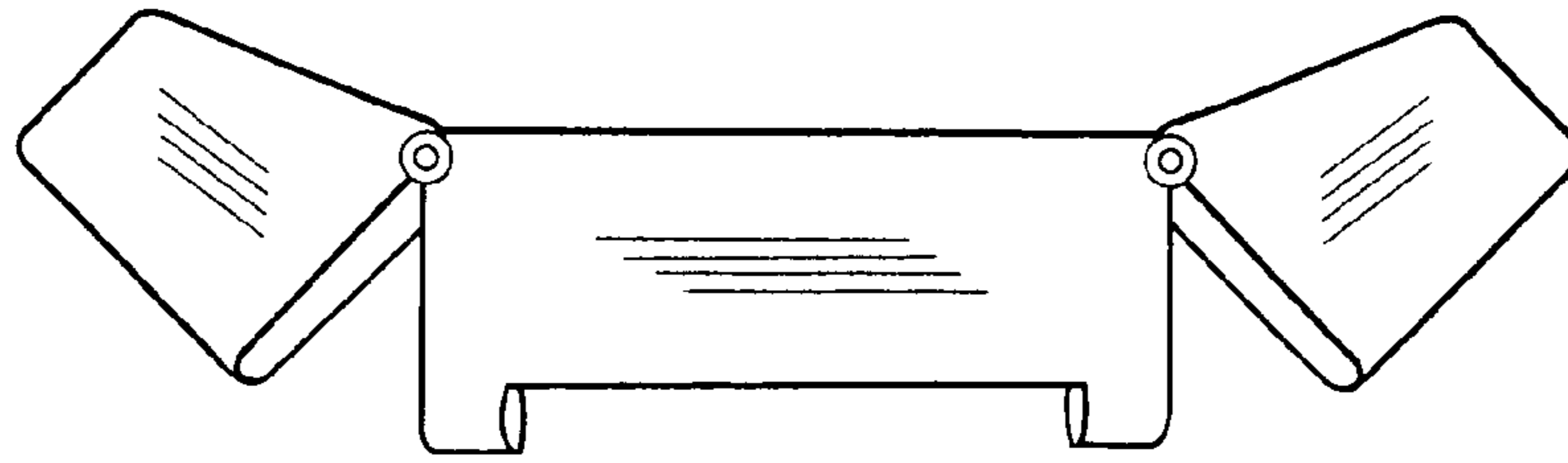


Fig. 4

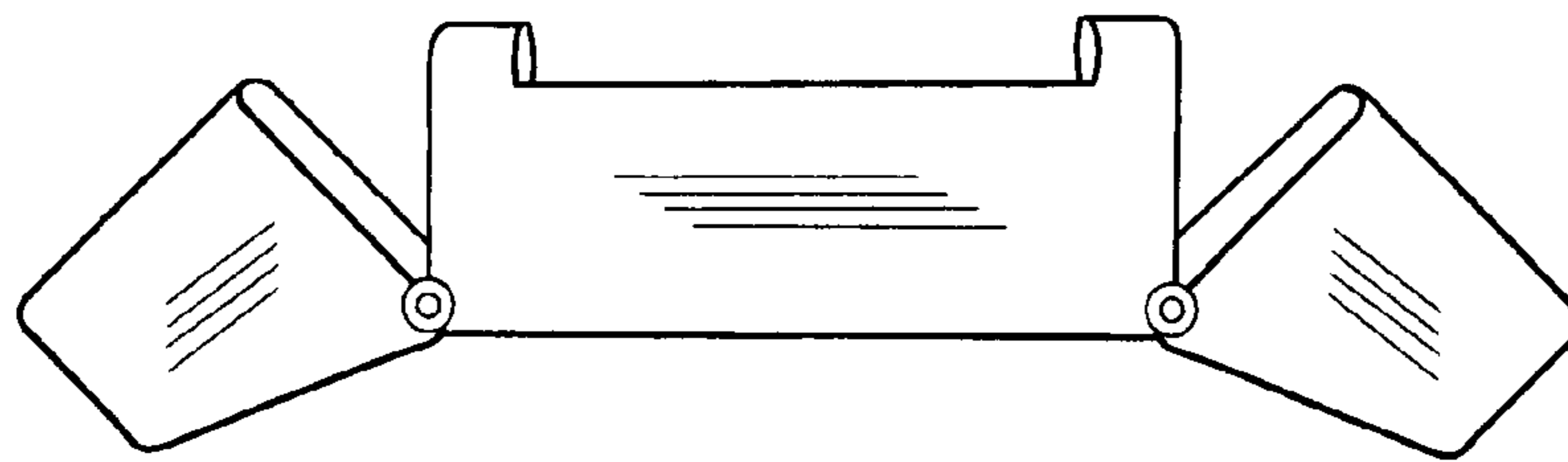


Fig. 5

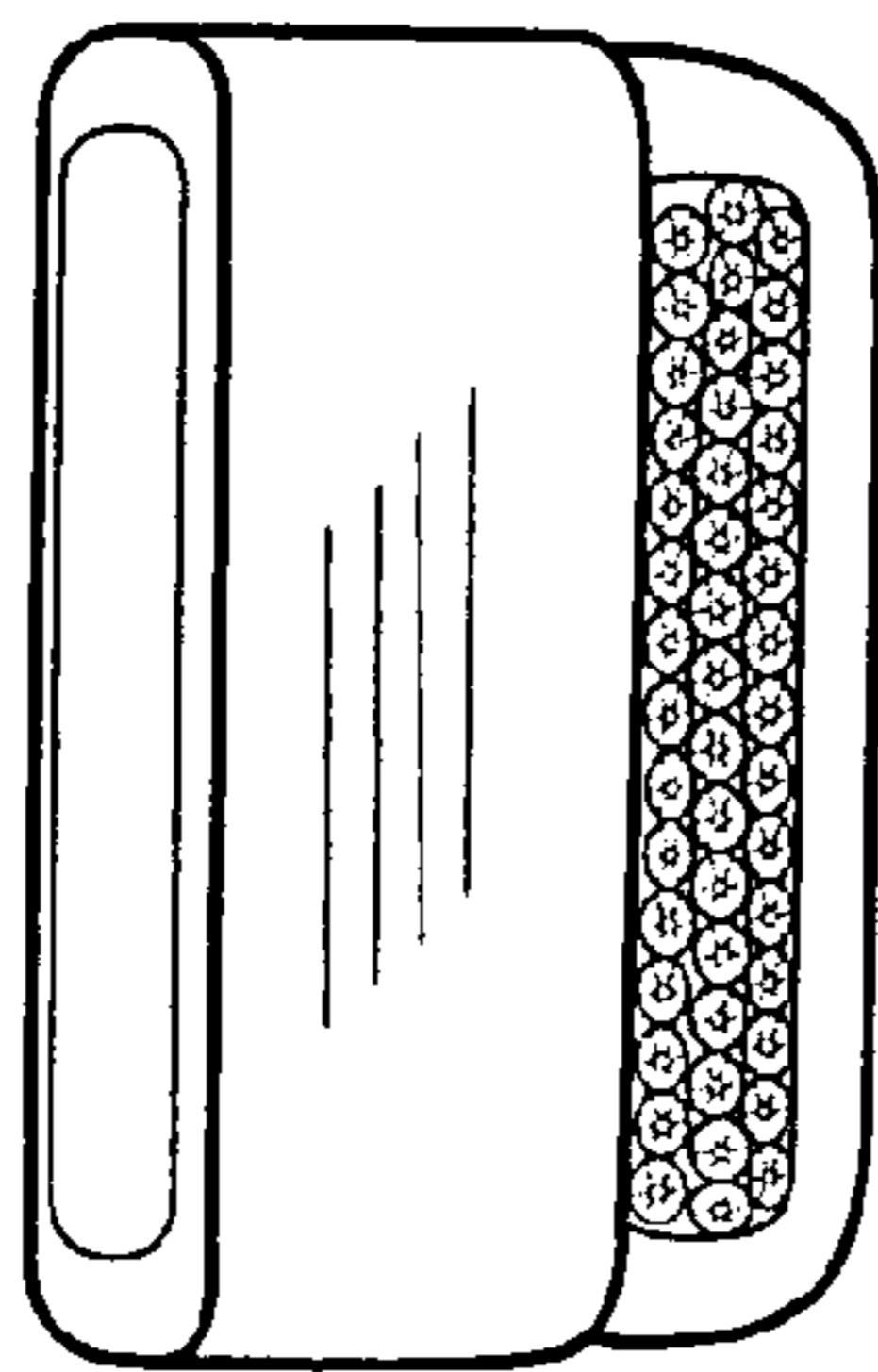


Fig. 6

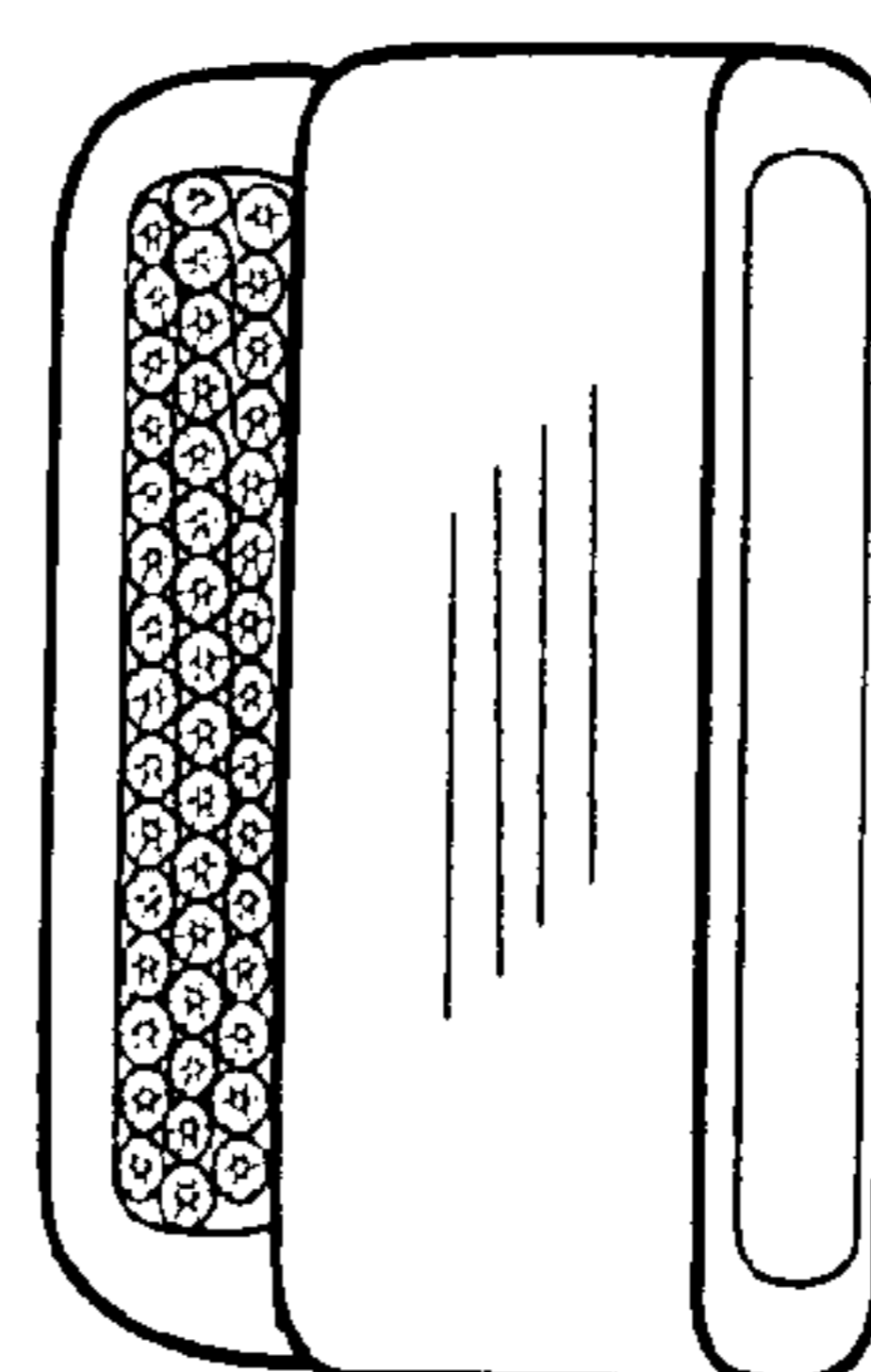


Fig. 7