

US00D546710S

(12) **United States Design Patent**
Watanabe et al.

(10) **Patent No.:** **US D546,710 S**
(45) **Date of Patent:** **** Jul. 17, 2007**

(54) **WRIST WATCH**

(75) Inventors: **Shinichi Watanabe**, Tokyo (JP);
Tatsuya Kubo, Iruma (JP); **Tatsumi Anno**, Tokyo (JP)

(73) Assignee: **Casio Keisanki Kabushiki Kaisha**,
Tokyo (JP)

(**) Term: **14 Years**

(21) Appl. No.: **29/270,298**

(22) Filed: **Dec. 19, 2006**

(51) **LOC (8) Cl.** **10-02**

(52) **U.S. Cl.** **D10/31; D10/38**

(58) **Field of Classification Search** D10/30-39,
D10/123-126; 368/276, 277, 281, 282, 285,
368/29-30, 80, 82-84, 223, 228, 239-242,
368/232, 21, 28

See application file for complete search history.

(56) **References Cited**

U.S. PATENT DOCUMENTS

- 4,250,572 A * 2/1981 Yoshida 368/242
- D370,639 S * 6/1996 Morishima et al. D10/38
- D387,292 S * 12/1997 Yamamoto D10/38
- D387,677 S * 12/1997 Hanagata D10/30
- D387,684 S * 12/1997 Hanagata D10/38

- D387,686 S * 12/1997 Hanagata D10/38
- D396,649 S * 8/1998 Sugisawa D10/30
- D403,252 S * 12/1998 Hanagata D10/38
- D413,527 S * 9/1999 Hanagata D10/30
- D451,825 S * 12/2001 Hanagata D10/30
- D504,830 S * 5/2005 Sugisawa D10/39
- D526,214 S * 8/2006 Morishima et al. D10/38
- D526,216 S * 8/2006 Tomimatsu D10/39

* cited by examiner

Primary Examiner—Lucy Lieberman

(74) *Attorney, Agent, or Firm*—Frishauf, Holtz, Goodman & Chick, P.C.

(57) **CLAIM**

The ornamental design for a wrist watch, as shown.

DESCRIPTION

FIG. 1 is a front, right side, bottom perspective view of a wrist watch showing our new design;

FIG. 2 is a front elevational view thereof;

FIG. 3 is a rear elevational view thereof;

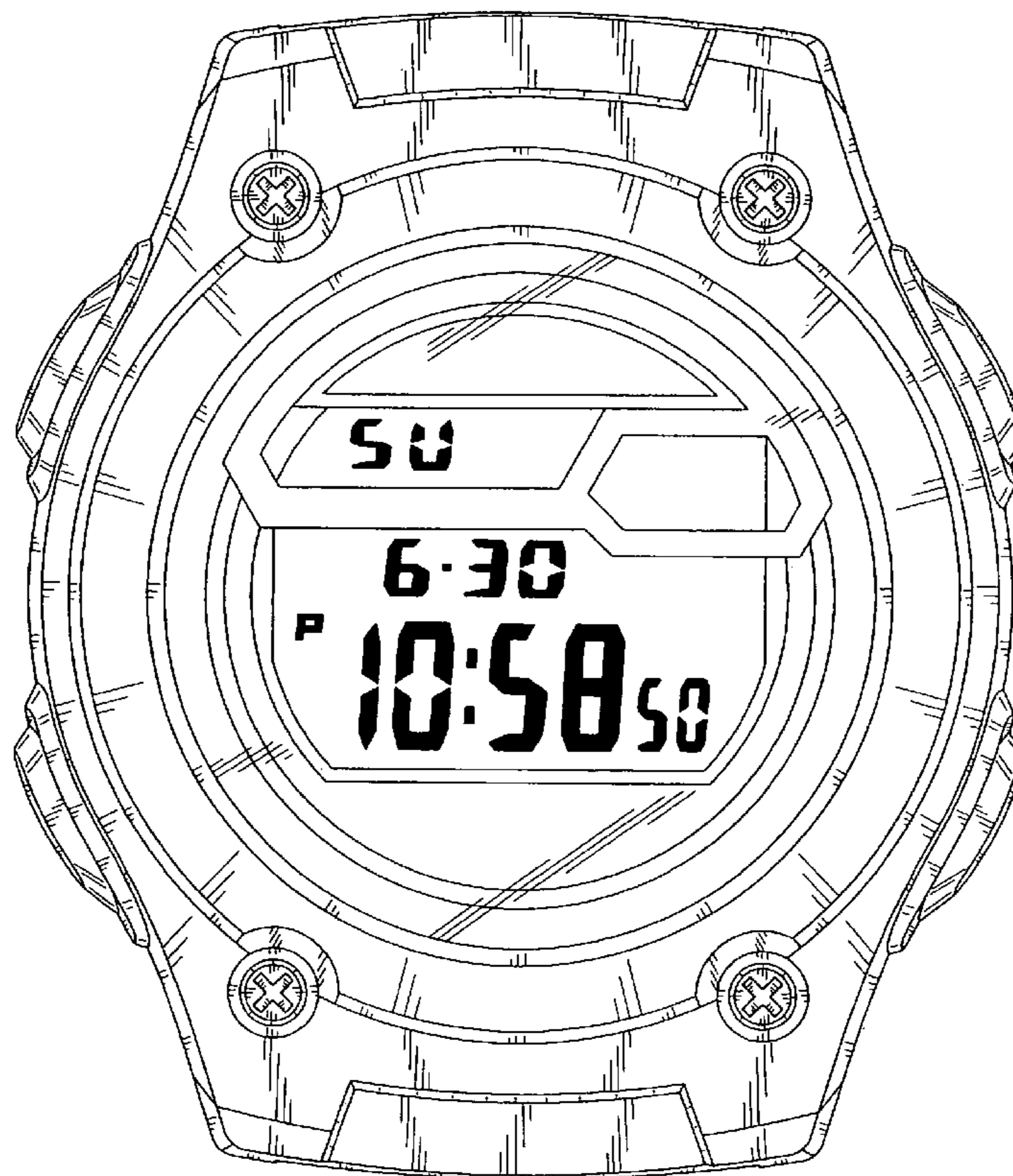
FIG. 4 is a left side view thereof;

FIG. 5 is a right side view thereof;

FIG. 6 is a top plan view thereof; and,

FIG. 7 is a bottom plan view thereof.

1 Claim, 6 Drawing Sheets



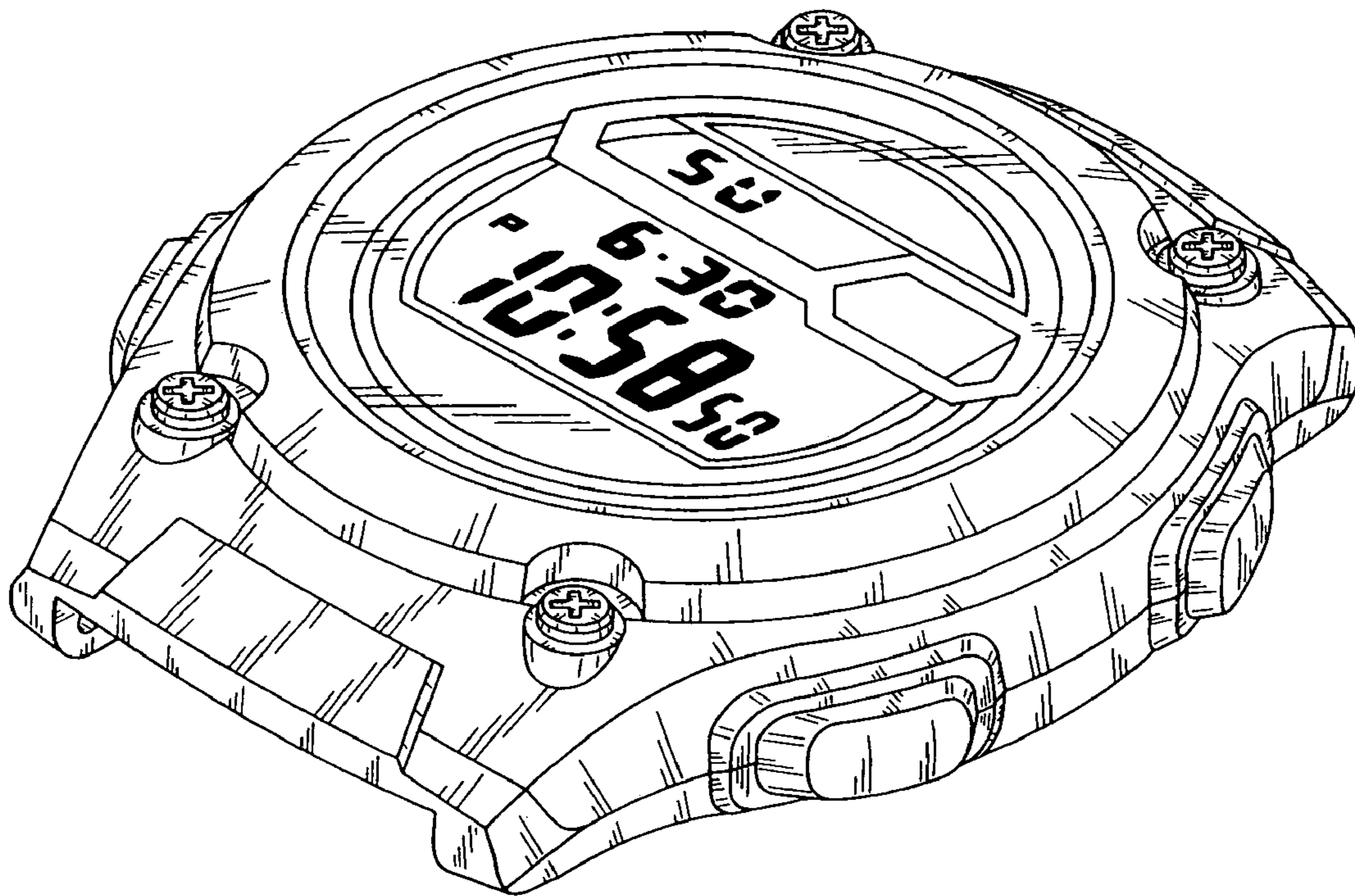


FIG. 1

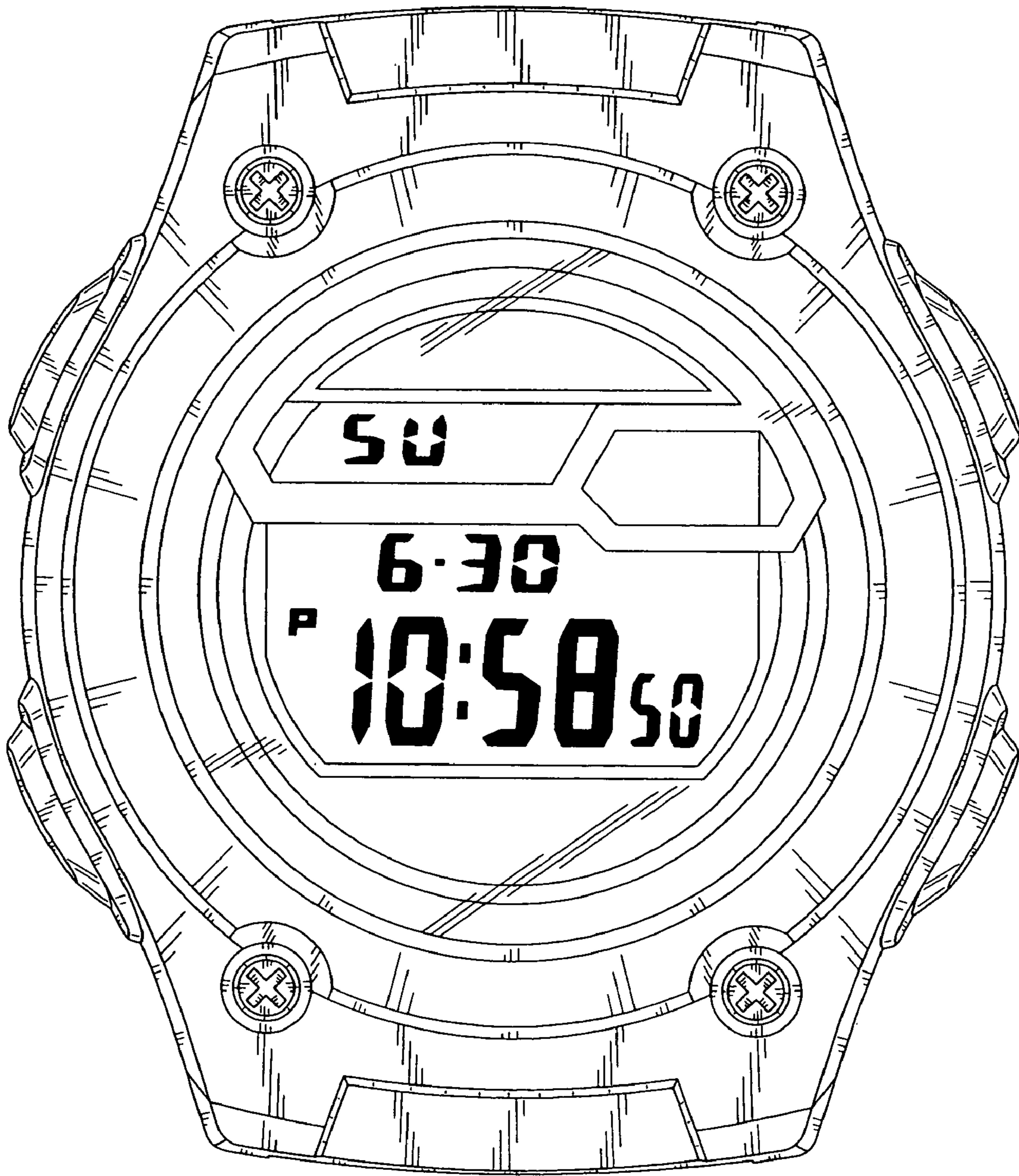


FIG. 2

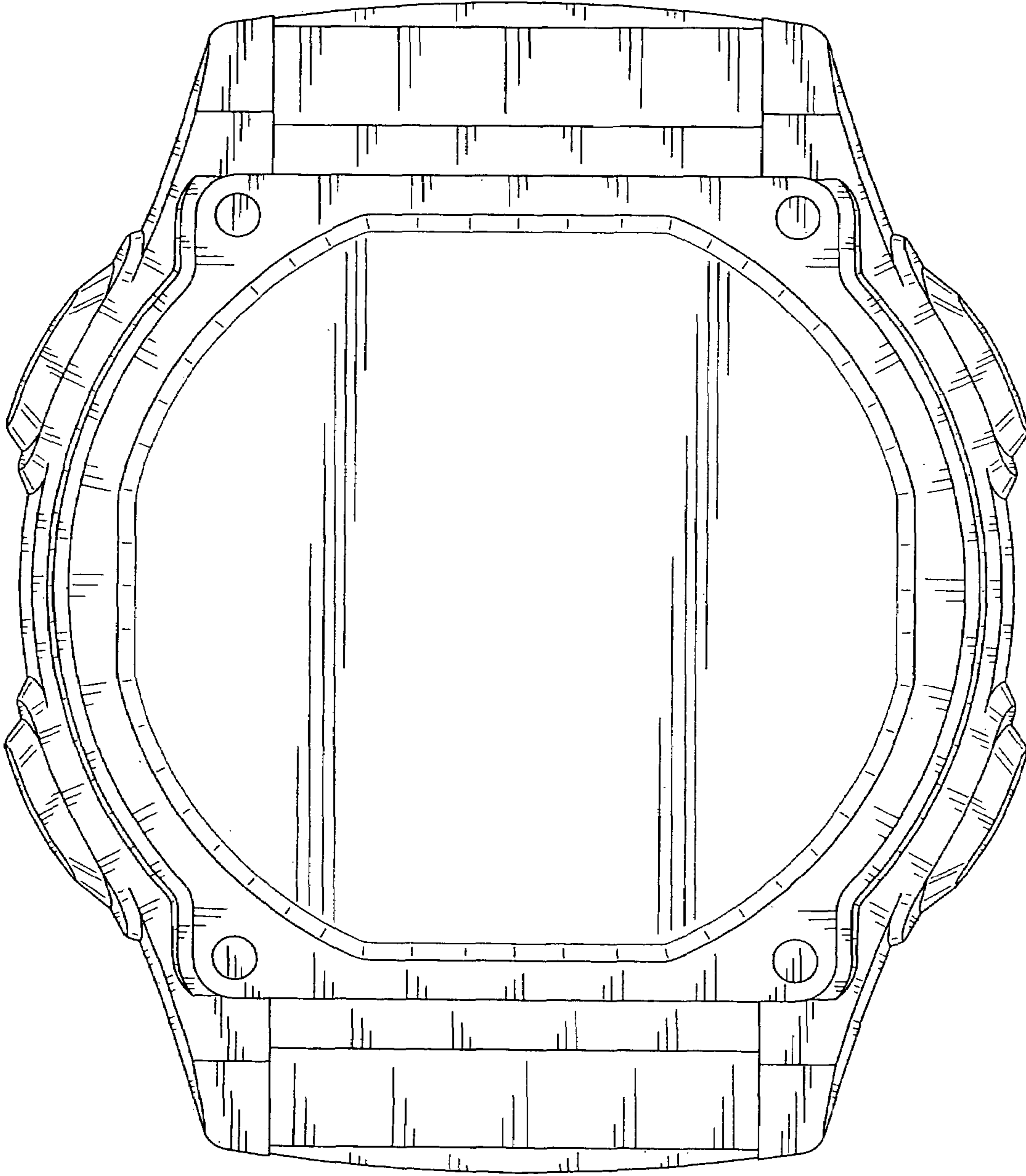


FIG. 3

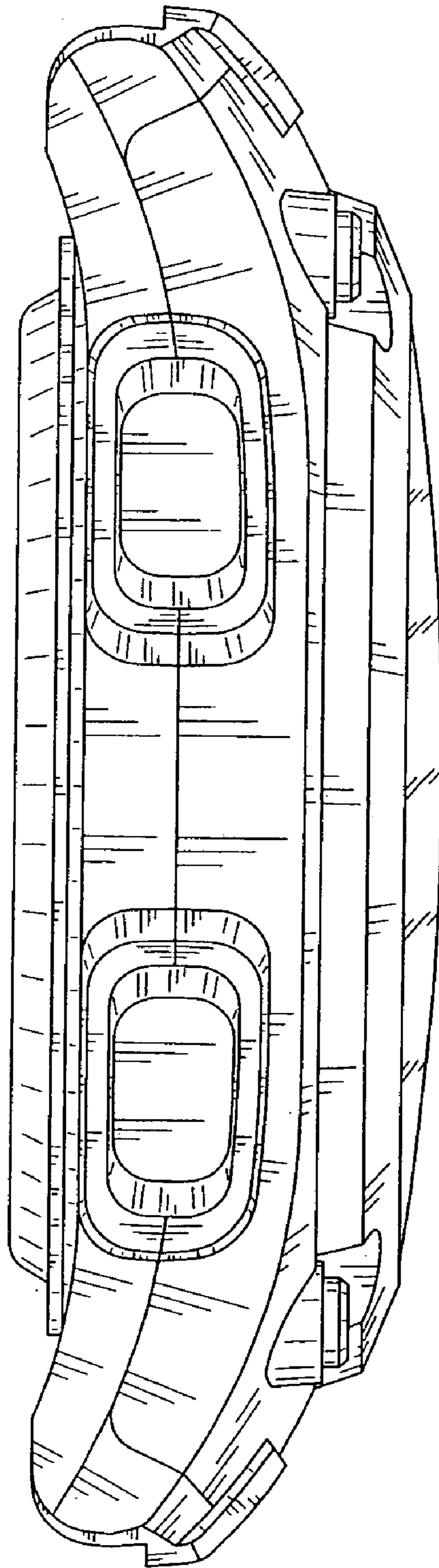


FIG. 4

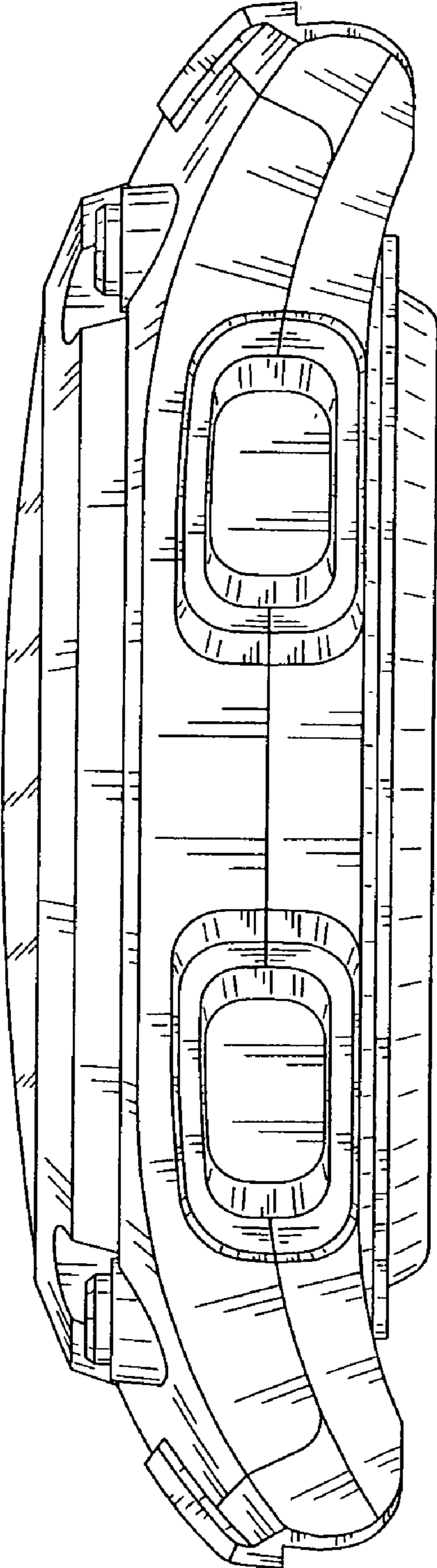


FIG. 5

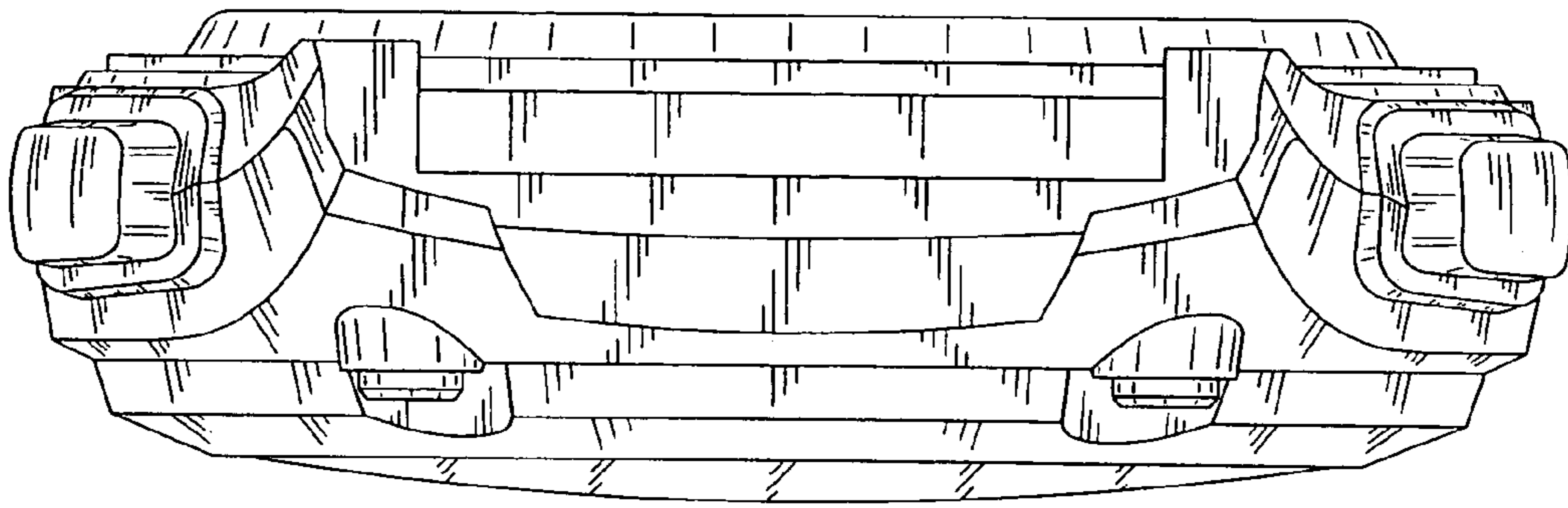


FIG. 6

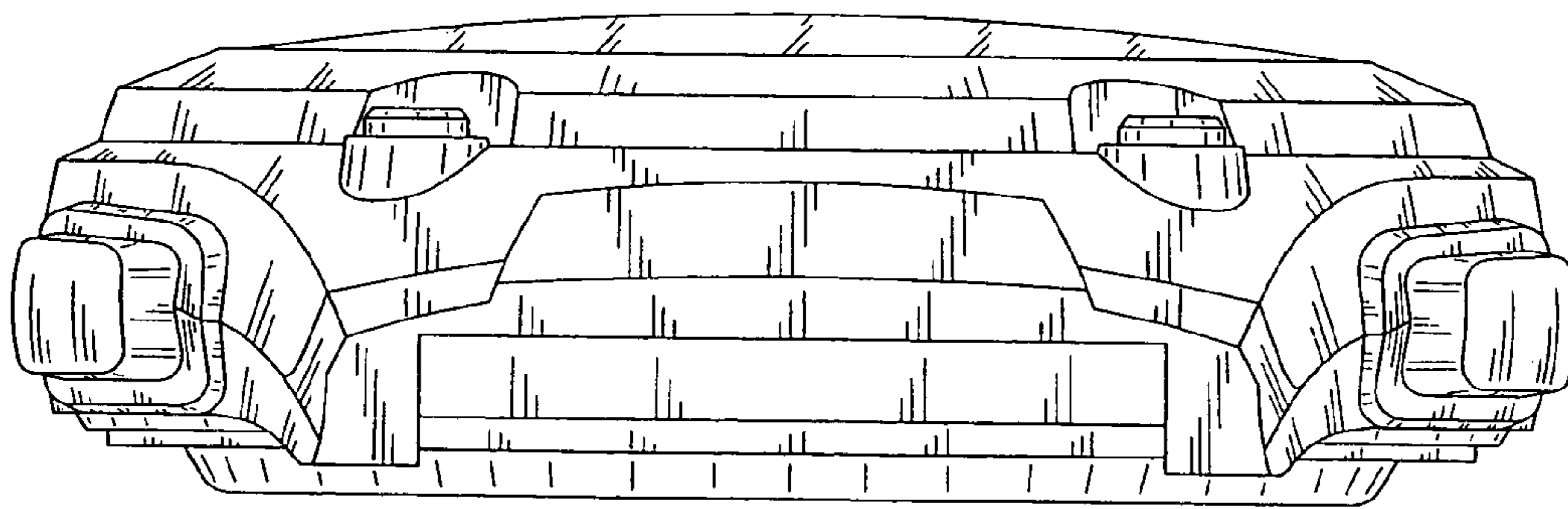


FIG. 7