



US00D546703S

(12) **United States Design Patent**
Sellars

(10) **Patent No.:** **US D546,703 S**

(45) **Date of Patent:** **** Jul. 17, 2007**

(54) **PRODUCT DISPLAY PACKAGING**

D448,250 S * 9/2001 Brangle et al. D7/606
D499,025 S * 11/2004 Houk et al. D9/520
D515,928 S * 2/2006 Pace D9/504

(75) Inventor: **John C. Sellars**, Wauwatosa, WI (US)

(73) Assignee: **Sellars Absorbent Materials, Inc.**,
Milwaukee, WI (US)

(**) Term: **14 Years**

(21) Appl. No.: **29/238,738**

(22) Filed: **Sep. 20, 2005**

OTHER PUBLICATIONS

“Packaging Design” by Stanley Sacharow, 1983. p. 163, Great Reflections Car Wax.*

* cited by examiner

Primary Examiner—Sandra L. Morris

(74) *Attorney, Agent, or Firm*—Fredrikson & Byron, P.A.

Related U.S. Application Data

(63) Continuation-in-part of application No. 29/230,349,
filed on May 19, 2005, now abandoned.

(51) **LOC (8) Cl.** **09-01**

(52) **U.S. Cl.** **D9/675; D9/420**

(58) **Field of Classification Search** D3/270–271.12;
D7/607, 613, 619.2, 628; D9/600, 672–678,
D9/737, 763, 500–504, 414–423; 220/890;
206/457, 459.1, 822, 823

See application file for complete search history.

(56) **References Cited**

U.S. PATENT DOCUMENTS

D194,287 S * 12/1962 Proietti D3/271.12
D213,762 S * 4/1969 Weckman D9/672
D217,412 S * 4/1970 Moquin D3/271.12
4,815,607 A * 3/1989 Agapiou 206/457
D373,245 S * 9/1996 Brindisi D3/271.12
D394,156 S * 5/1998 Melanson et al. D3/271.12

(57) **CLAIM**

I claim the ornamental design for the product display packaging, as shown and described.

DESCRIPTION

FIG. 1 is a perspective view of the product display packaging of my design, shown in an open position;

FIG. 2 is a top view of my design;

FIG. 3 is a front view of my design;

FIG. 4 is a back view of my design;

FIG. 5 is a side view of a my design; the other side view being a mirror image thereof; and,

FIG. 6 is a bottom view of the product display packaging of my design.

The broken line showing of the indicia in FIGS. 1 and 3 is for illustrative purposes only, and forms no part of the claimed design.

1 Claim, 2 Drawing Sheets

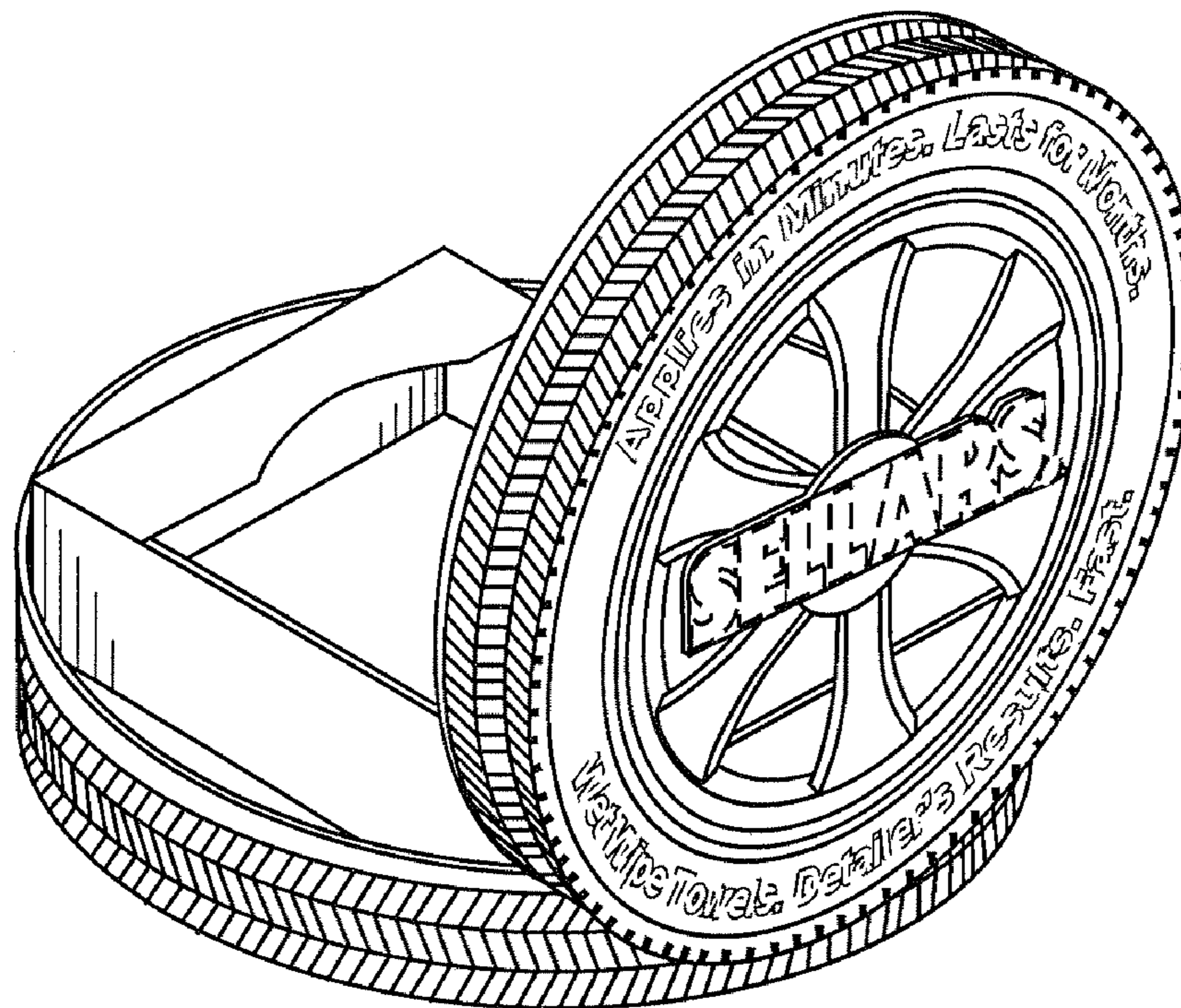


Fig. 1

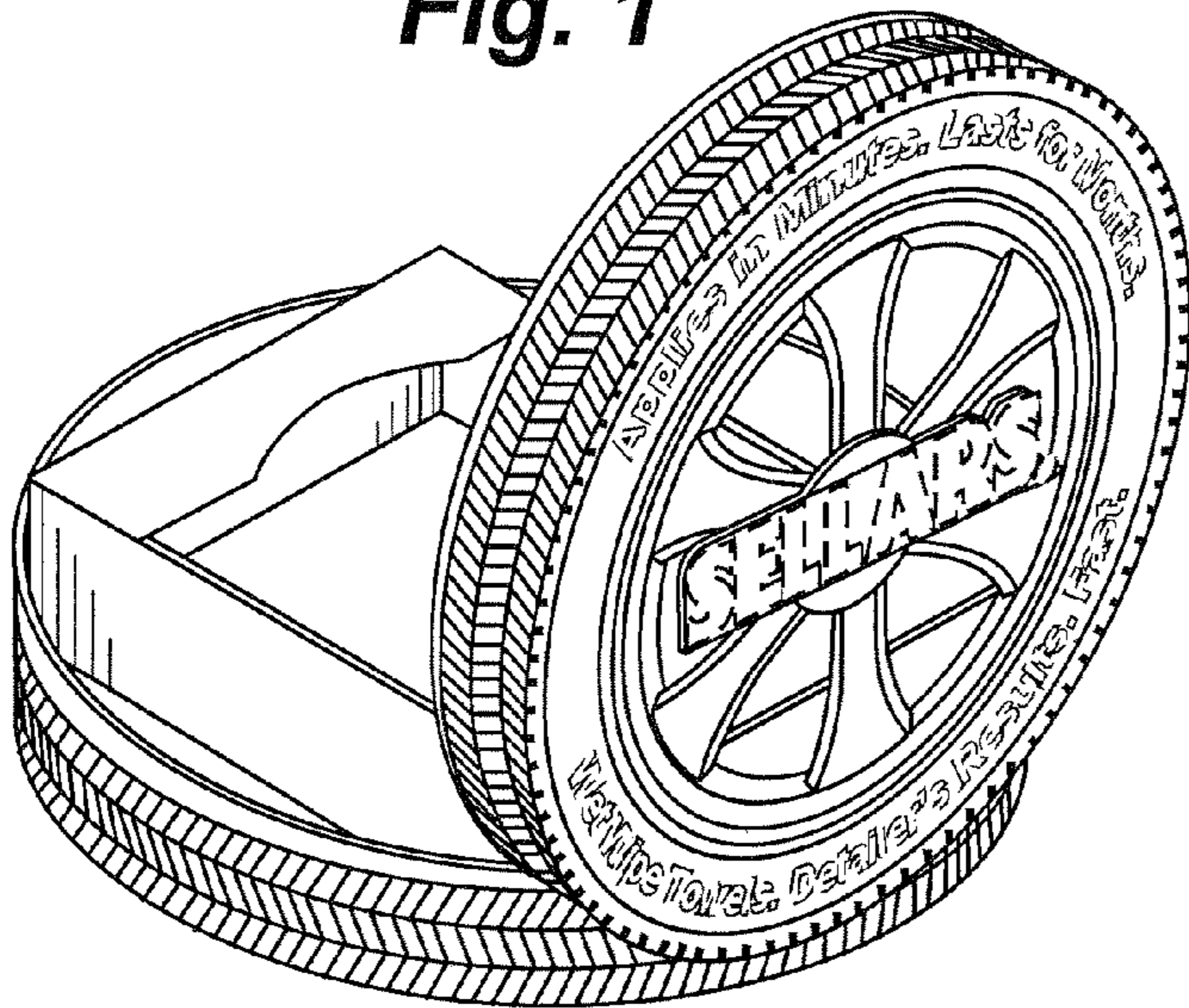


Fig. 2

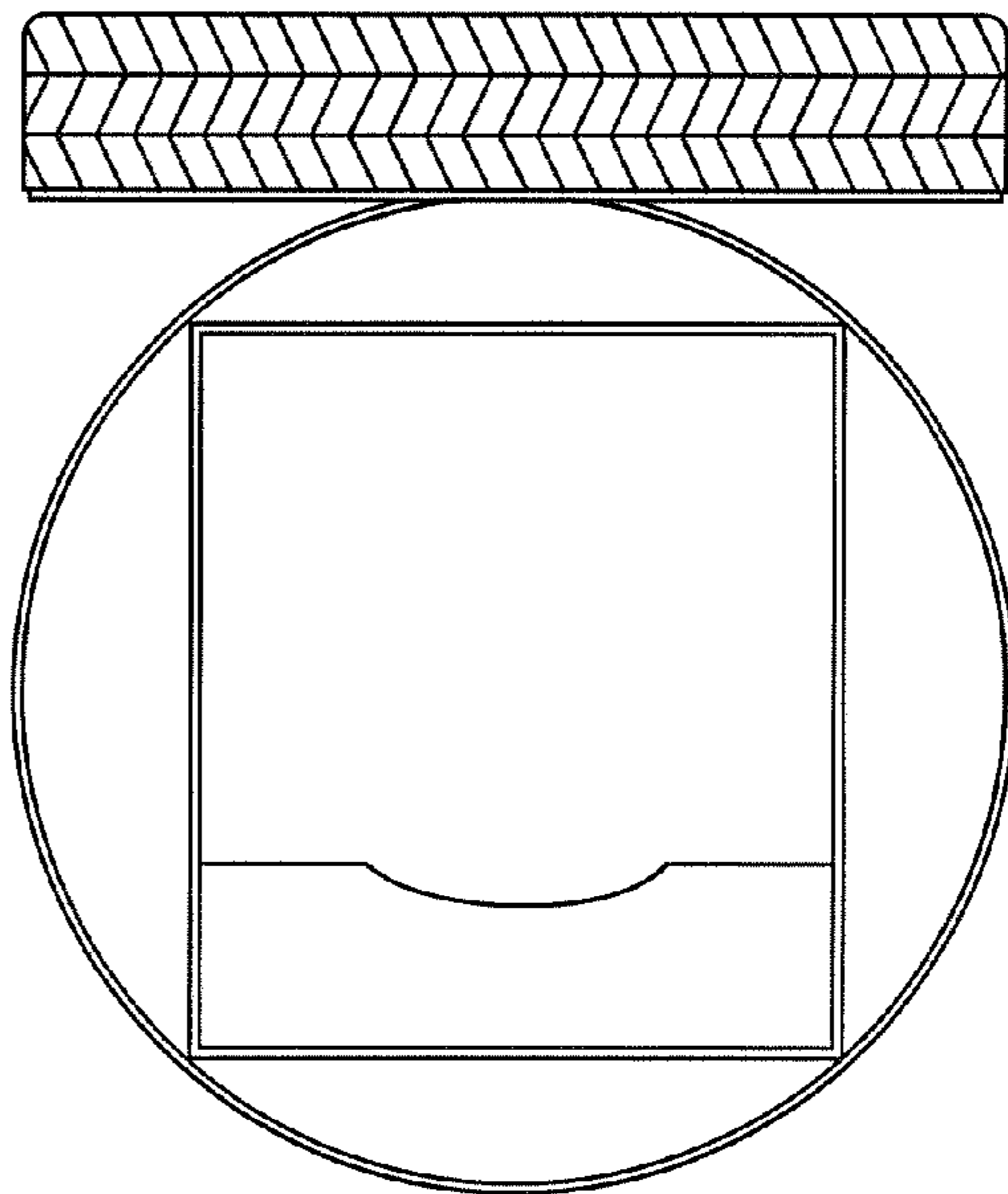


Fig. 3

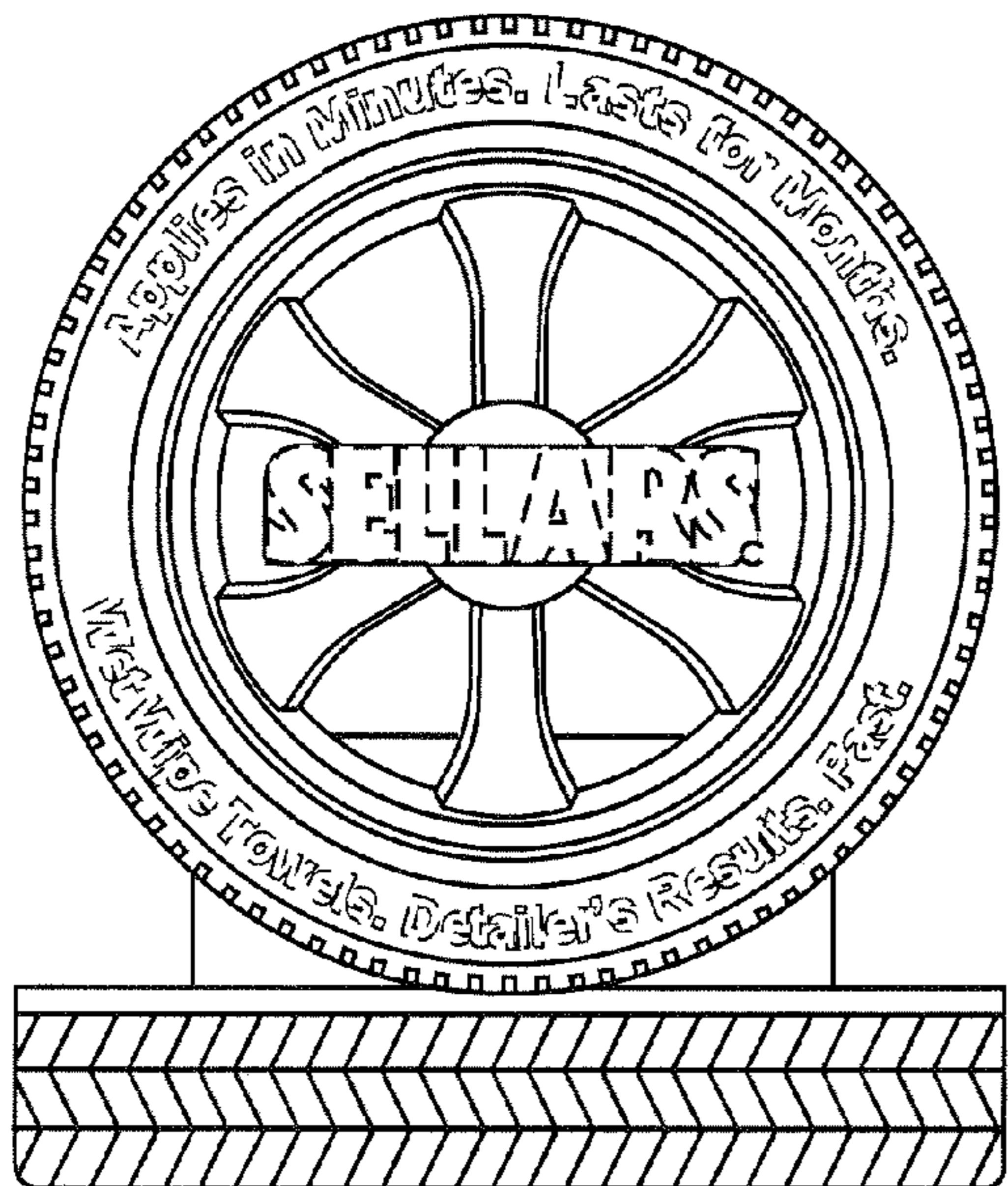


Fig. 4

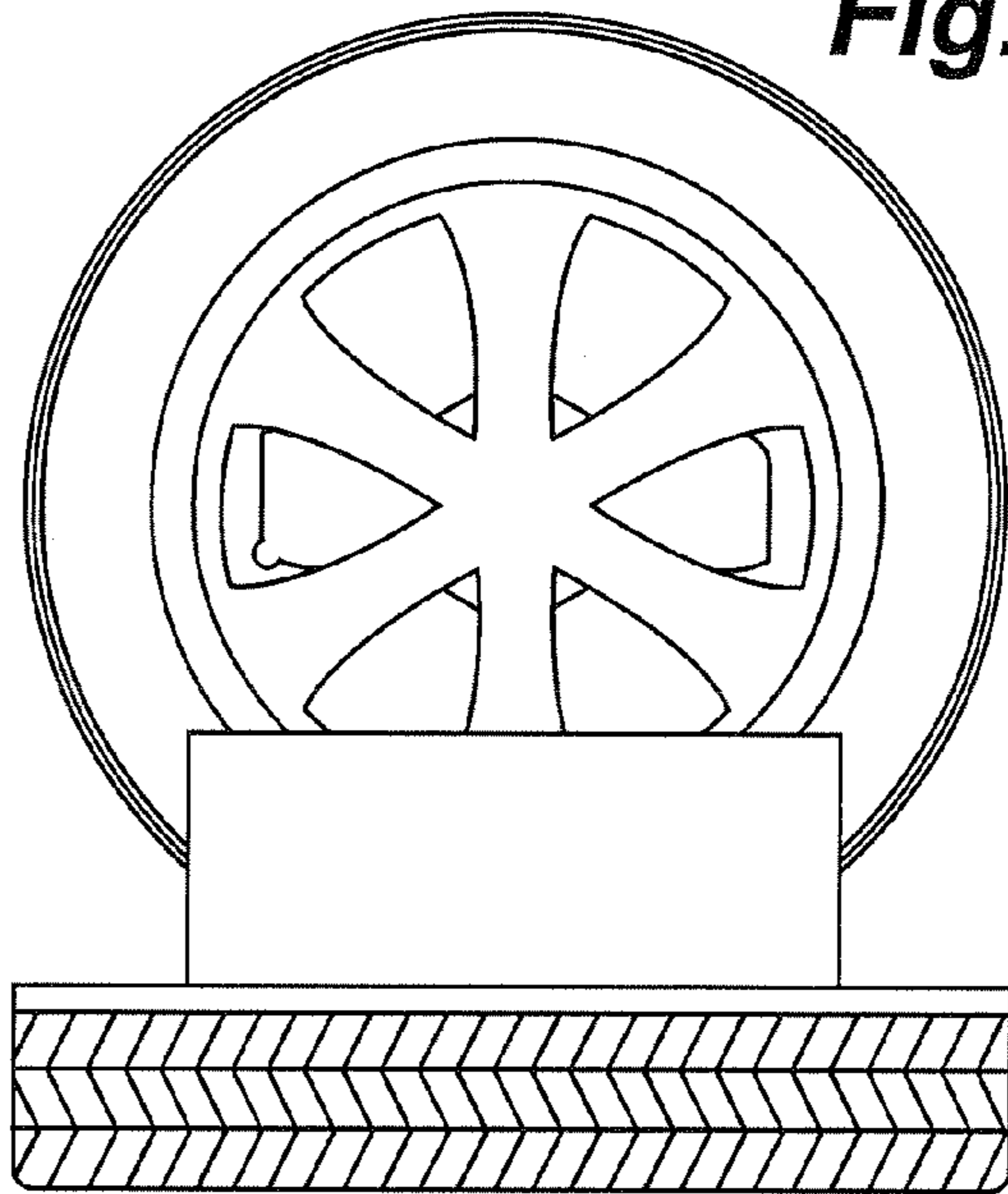


Fig. 5

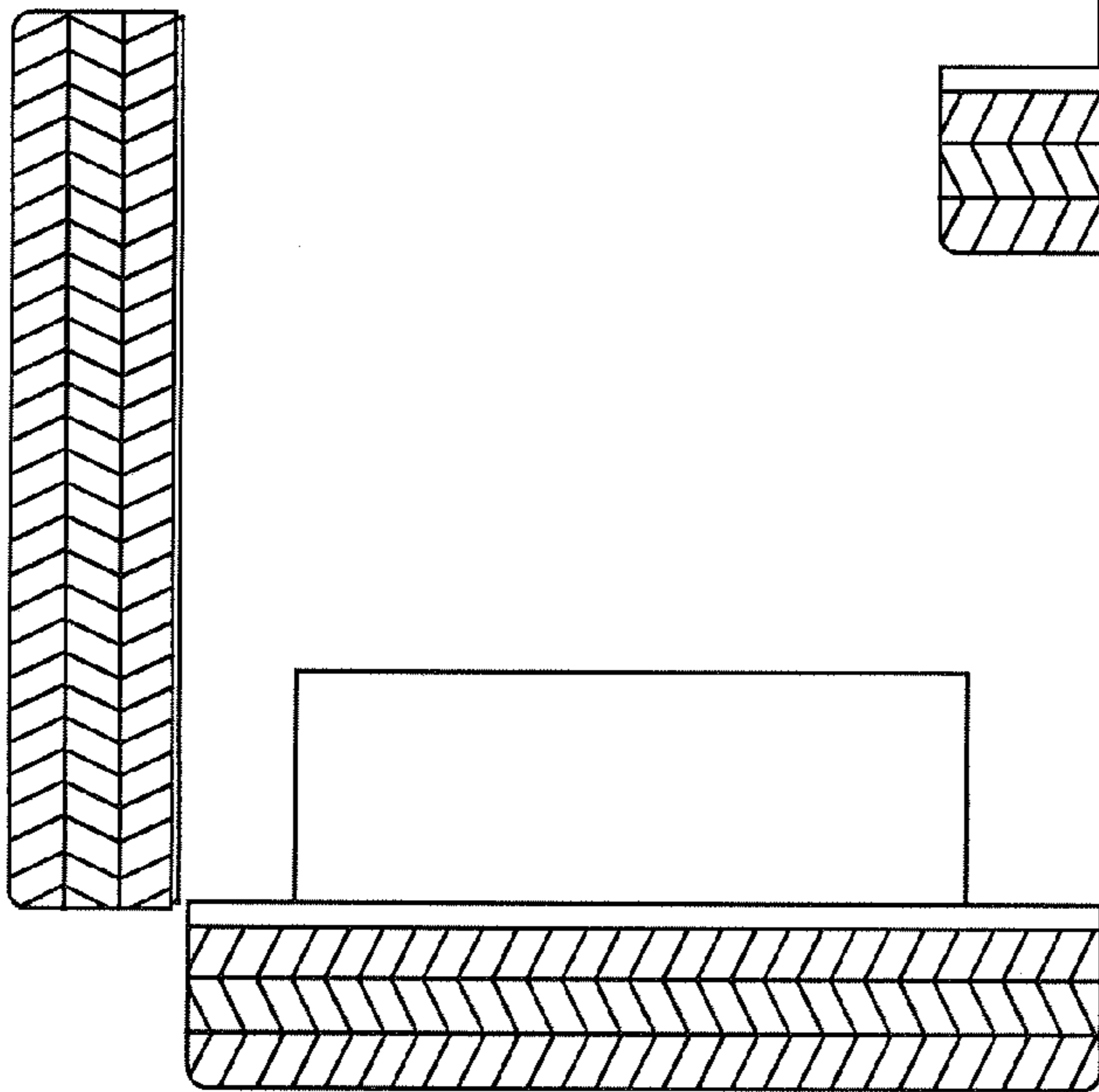


Fig. 6

