



US00D546698S

(12) **United States Design Patent** (10) **Patent No.:** **US D546,698 S**  
**Riou** (45) **Date of Patent:** **\*\* Jul. 17, 2007**

(54) **BOTTLE**

(75) Inventor: **Yann Riou**, Le Havre Cedex (FR)

(73) Assignee: **Sidel**, Octeville sur Mer (FR)

(\*\*) Term: **14 Years**

(21) Appl. No.: **29/242,122**

(22) Filed: **Nov. 3, 2005**

(30) **Foreign Application Priority Data**

May 13, 2005 (EM) ..... 340 435

(51) **LOC (8) Cl.** ..... **09-01**

(52) **U.S. Cl.** ..... **D9/541; D9/530; D9/551**

(58) **Field of Classification Search** ..... D9/541,  
D9/520, 516, 530, 537, 538, 539, 540, 542,  
D9/543, 549, 551, 552, 553, 556, 557, 558,  
D9/561; 215/381, 382, 383, 384  
See application file for complete search history.

(56) **References Cited**

U.S. PATENT DOCUMENTS

5,178,289 A \* 1/1993 Krishnakumar et al. .... 215/382  
D352,245 S \* 11/1994 Krishnakumar et al. .... D9/538  
D366,897 S \* 2/1996 Komada et al. .... D18/43  
D419,882 S \* 2/2000 Bretz et al. .... D9/520  
D420,592 S \* 2/2000 Bretz et al. .... D9/520  
D423,365 S \* 4/2000 Eberle et al. .... D9/538  
6,092,688 A \* 7/2000 Eberle et al. .... 220/669  
D434,330 S \* 11/2000 Rowe et al. .... D9/538

6,347,717 B1 \* 2/2002 Eberle ..... 215/381  
D469,696 S \* 2/2003 Bryant et al. .... D9/538  
D476,236 S \* 6/2003 Ungrady et al. .... D9/538  
6,585,125 B1 \* 7/2003 Peek ..... 215/381  
D479,690 S \* 9/2003 DeGroff ..... D9/538  
D525,530 S \* 7/2006 Livingston et al. .... D9/538  
D527,643 S \* 9/2006 Gottlieb ..... D9/538  
2006/0186083 A1 \* 8/2006 Joshi et al. .... 215/381

\* cited by examiner

*Primary Examiner*—Stella Reid  
*Assistant Examiner*—Elizabeth J. Oswecki  
(74) *Attorney, Agent, or Firm*—James H. Walters

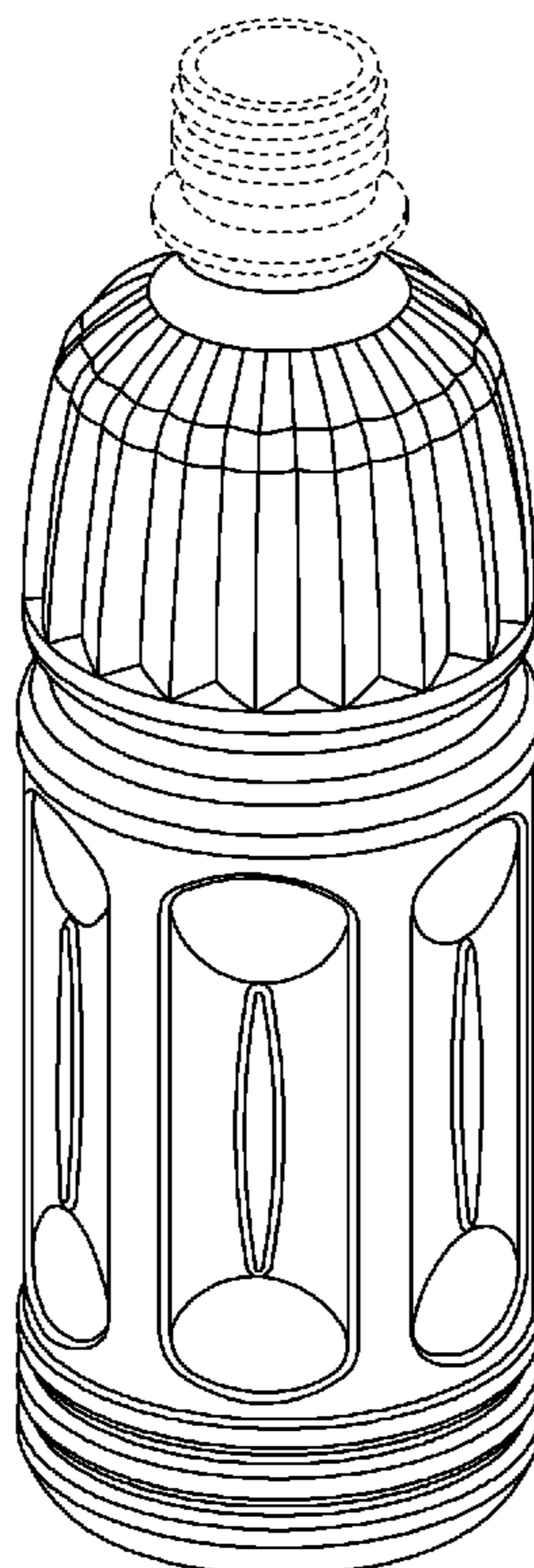
(57) **CLAIM**

I claim the ornamental design for a bottle, as shown and described.

**DESCRIPTION**

FIG. 1 is a perspective view of the design for a bottle;  
FIG. 2 is a bottom perspective view of the design of FIG. 1;  
FIG. 3 is a top view of the design of FIG. 1; and  
FIG. 4 is a bottom view of the design of FIG. 1.  
FIG. 5 is a first side view of the design of FIG. 1, the opposite side being a mirror image thereof; and,  
FIG. 6 is a second side view of the design of FIG. 1, the opposite side being a mirror image thereof.  
The broken line portions in FIGS. 1–6 are for illustrative purposes only and form no part of the claimed design.

**1 Claim, 3 Drawing Sheets**



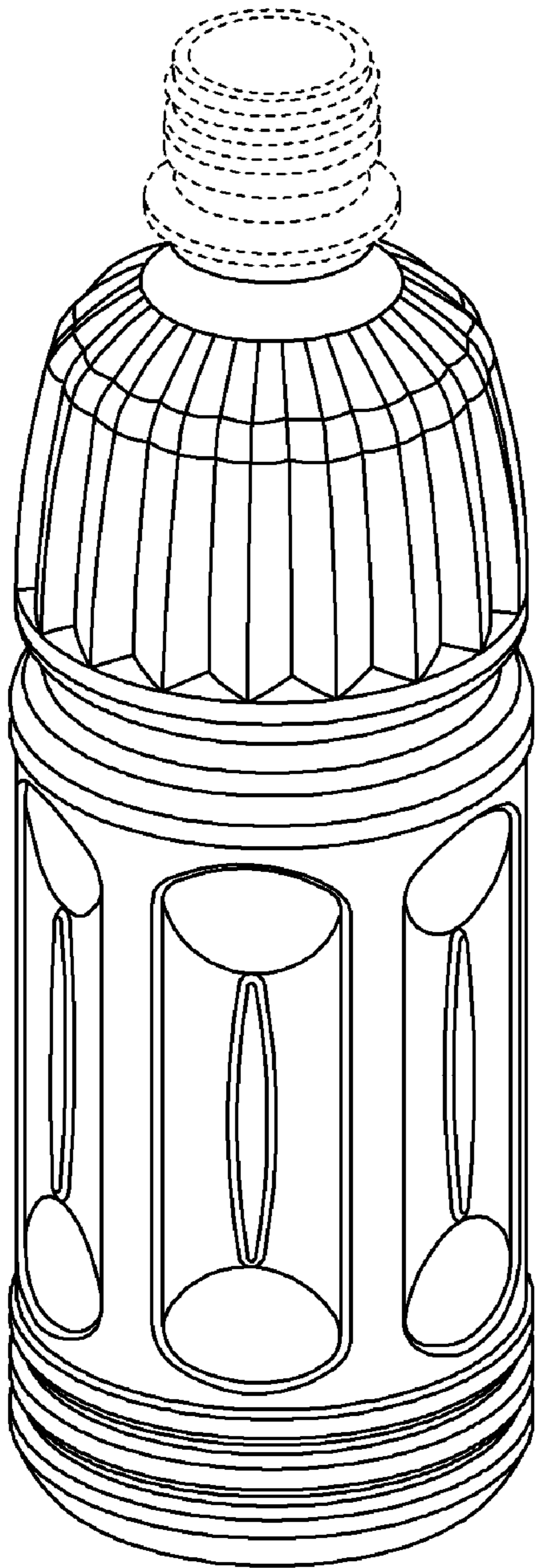


FIG. 1

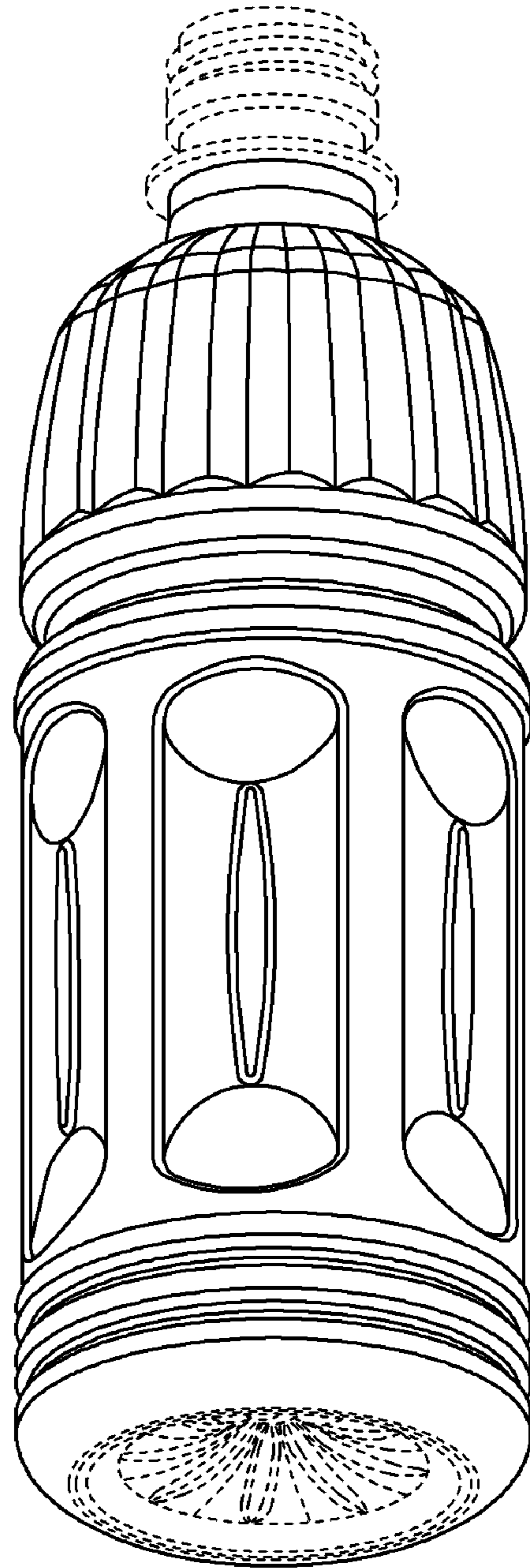
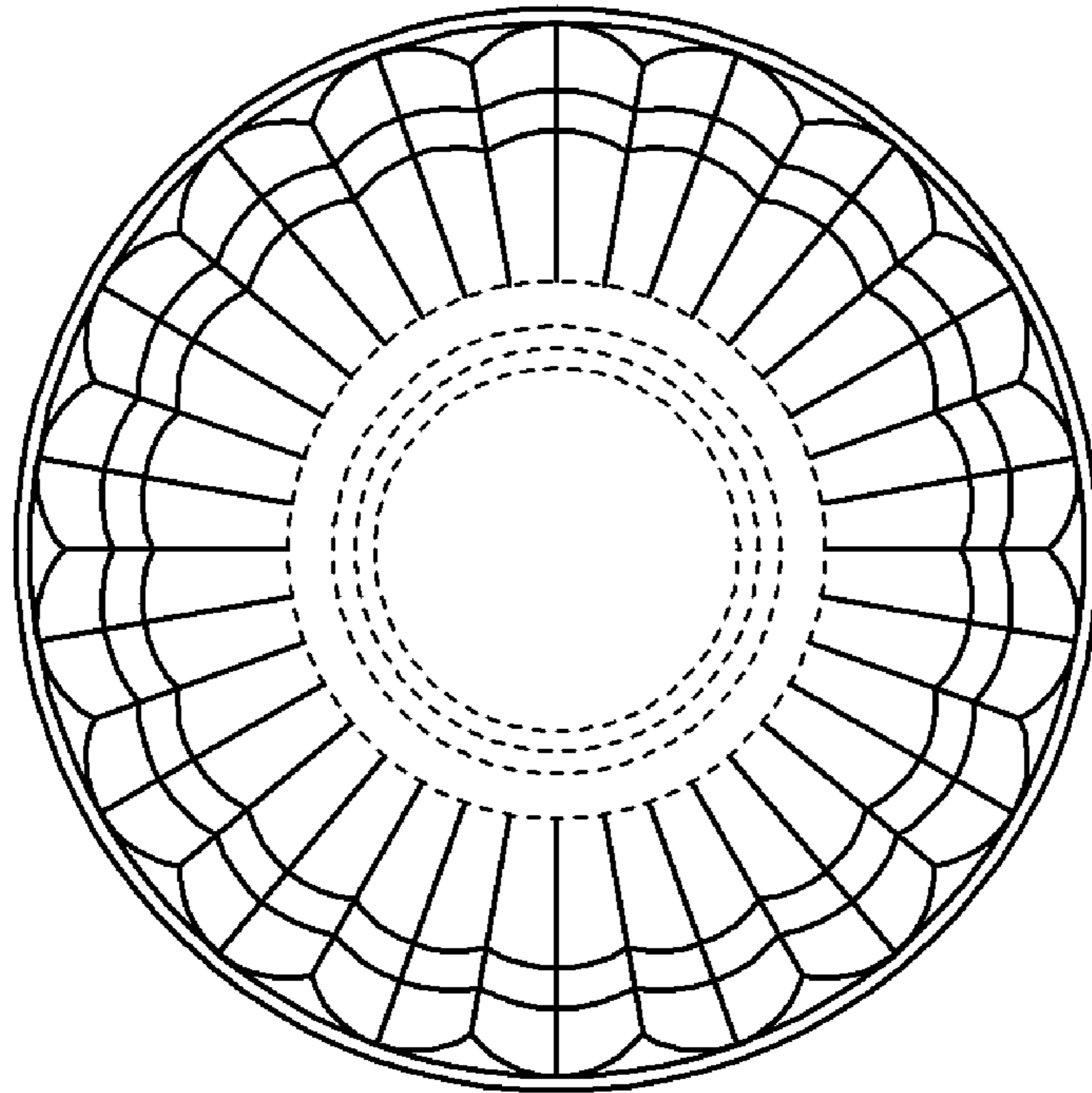
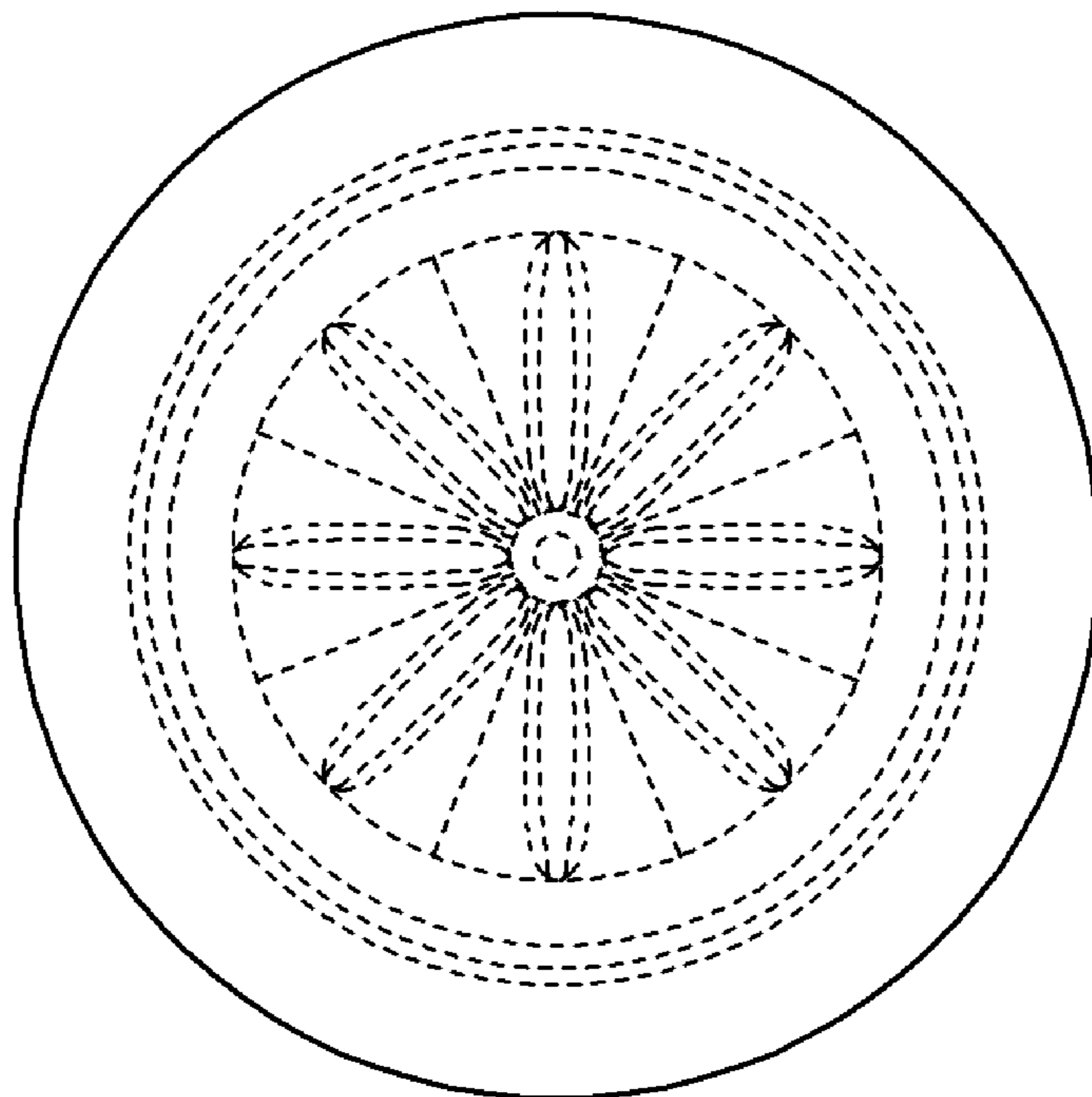


FIG. 2



**FIG. 3**



**FIG. 4**

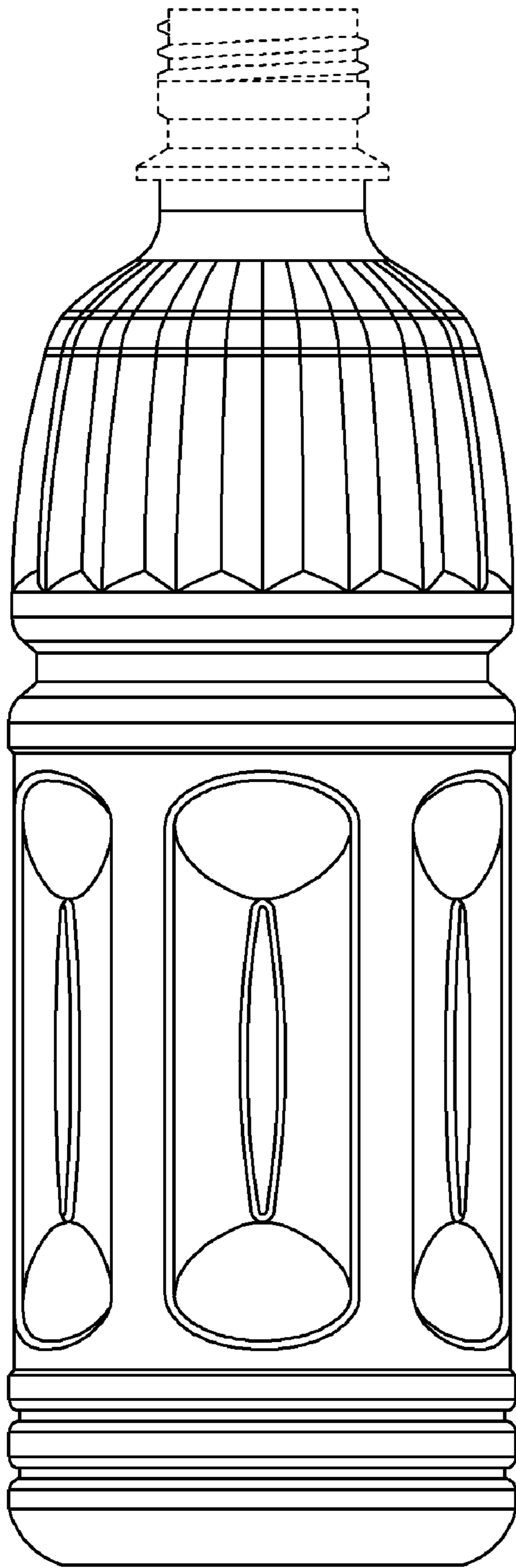


FIG. 5

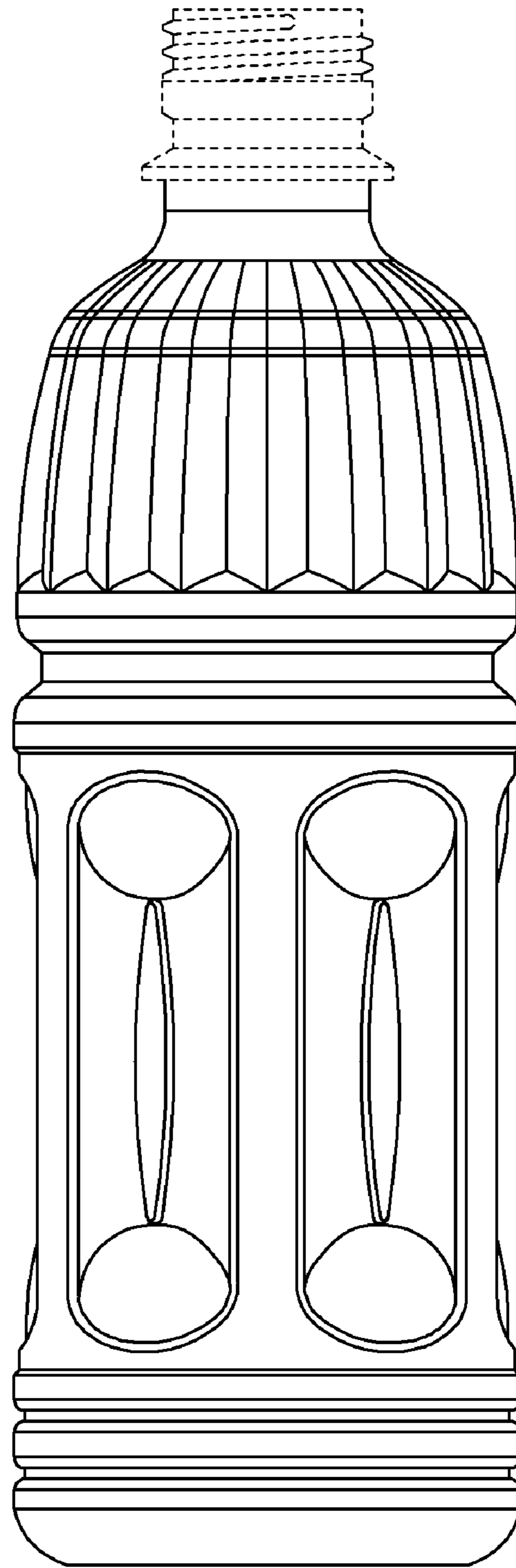


FIG. 6