



US00D546694S

(12) **United States Design Patent**  
**Penfold et al.**

(10) **Patent No.:** **US D546,694 S**

(45) **Date of Patent:** **\*\* Jul. 17, 2007**

(54) **JAR**

(75) Inventors: **Christopher Michael Penfold**,  
Nottingham (GB); **Martin Christopher**  
**Bunce**, Pewsey (GB)

(73) Assignee: **Reckitt & Colman (Overseas)**  
**Limited**, Berkshire (GB)

(\*\*) Term: **14 Years**

(21) Appl. No.: **29/252,603**

(22) Filed: **Mar. 28, 2006**

(30) **Foreign Application Priority Data**

Jul. 27, 2005 (EM) ..... 000378625

(51) **LOC (8) Cl.** ..... **09-01**

(52) **U.S. Cl.** ..... **D9/529**

(58) **Field of Classification Search** ..... D9/434,  
D9/435, 445, 449, 516, 529, 530, 537, 538,  
D9/541, 549, 550, 552, 556, 558, 559, 563,  
D9/565, 571, 602, 766, 767; 215/382-384;  
220/669, 675

See application file for complete search history.

(56) **References Cited**

**U.S. PATENT DOCUMENTS**

D190,399 S *	5/1961	Agin	.....	D9/558
3,244,313 A *	4/1966	Miles	.....	D9/504
D220,425 S *	4/1971	Bardell	.....	D9/556
D270,897 S *	10/1983	Scalice	.....	D9/516
D321,477 S *	11/1991	Gunter	.....	D9/503
D322,753 S *	12/1991	Sussman	.....	D9/504
D328,712 S *	8/1992	Butler et al.	.....	D9/526
D477,225 S *	7/2003	Pinnavaia	.....	D9/454
D525,136 S *	7/2006	Bakic	.....	D9/522
D530,572 S *	10/2006	Daams	.....	D7/615

\* cited by examiner

*Primary Examiner*—Stella Reid

*Assistant Examiner*—Keli' L. Acker

(74) *Attorney, Agent, or Firm*—Rothwell, Figg, Ernst & Manbeck, P.C.

(57) **CLAIM**

The ornamental design for a jar, as shown and described.

**DESCRIPTION**

FIG. 1 is a perspective view of a jar, embodying my new design;

FIG. 2 is a right side view thereof;

FIG. 3 is a left side view thereof;

FIG. 4 is a front view thereof;

FIG. 5 is a rear view thereof;

FIG. 6 is a top view thereof;

FIG. 7 is a bottom view thereof;

FIG. 8 is a perspective view of a second embodiment of a jar, embodying my new design;

FIG. 9 is a right side view thereof;

FIG. 10 is a left side view thereof;

FIG. 11 is a front view thereof;

FIG. 12 is a rear view thereof;

FIG. 13 is a top view thereof;

FIG. 14 is a bottom view thereof;

FIG. 15 is a perspective view of a third embodiment of a jar, embodying my new design;

FIG. 16 is a right side view thereof;

FIG. 17 is a left side view thereof;

FIG. 18 is a front view thereof;

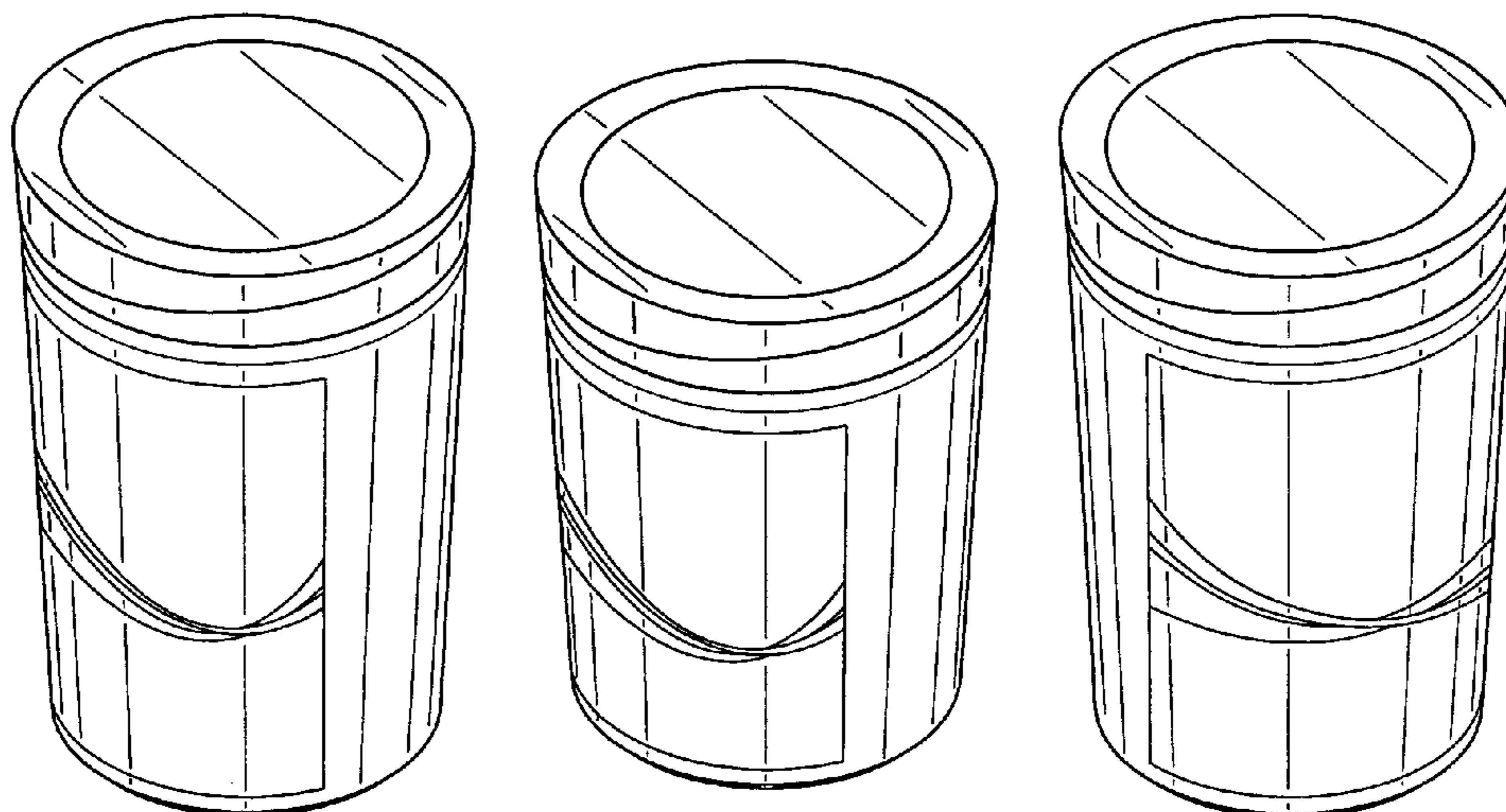
FIG. 19 is a rear view thereof;

FIG. 20 is a top view thereof; and,

FIG. 21 is a bottom view thereof.

The top and bottom views are the same as FIGS. 6 and 7.

**1 Claim, 6 Drawing Sheets**



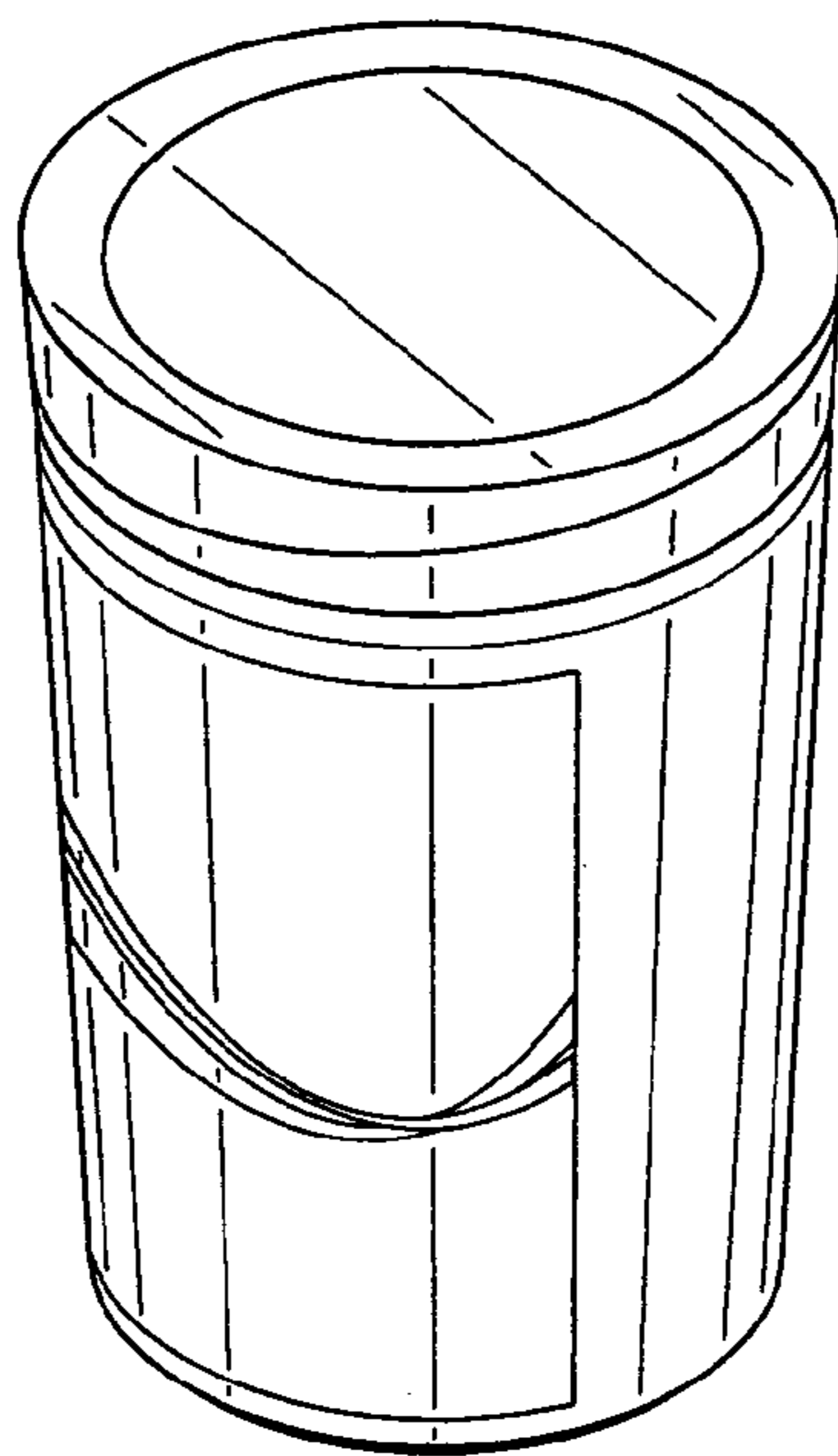


Fig. 1

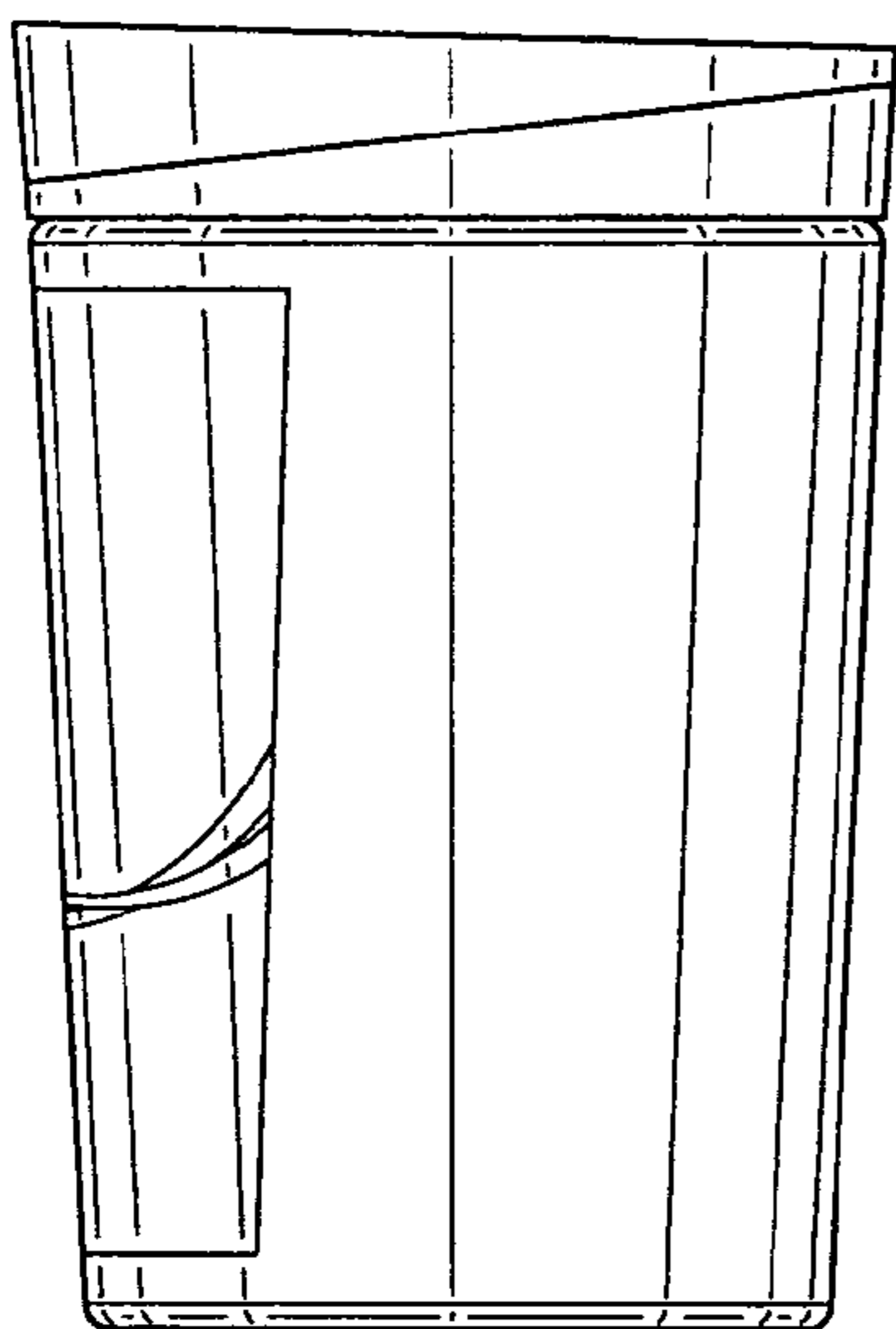


Fig. 2

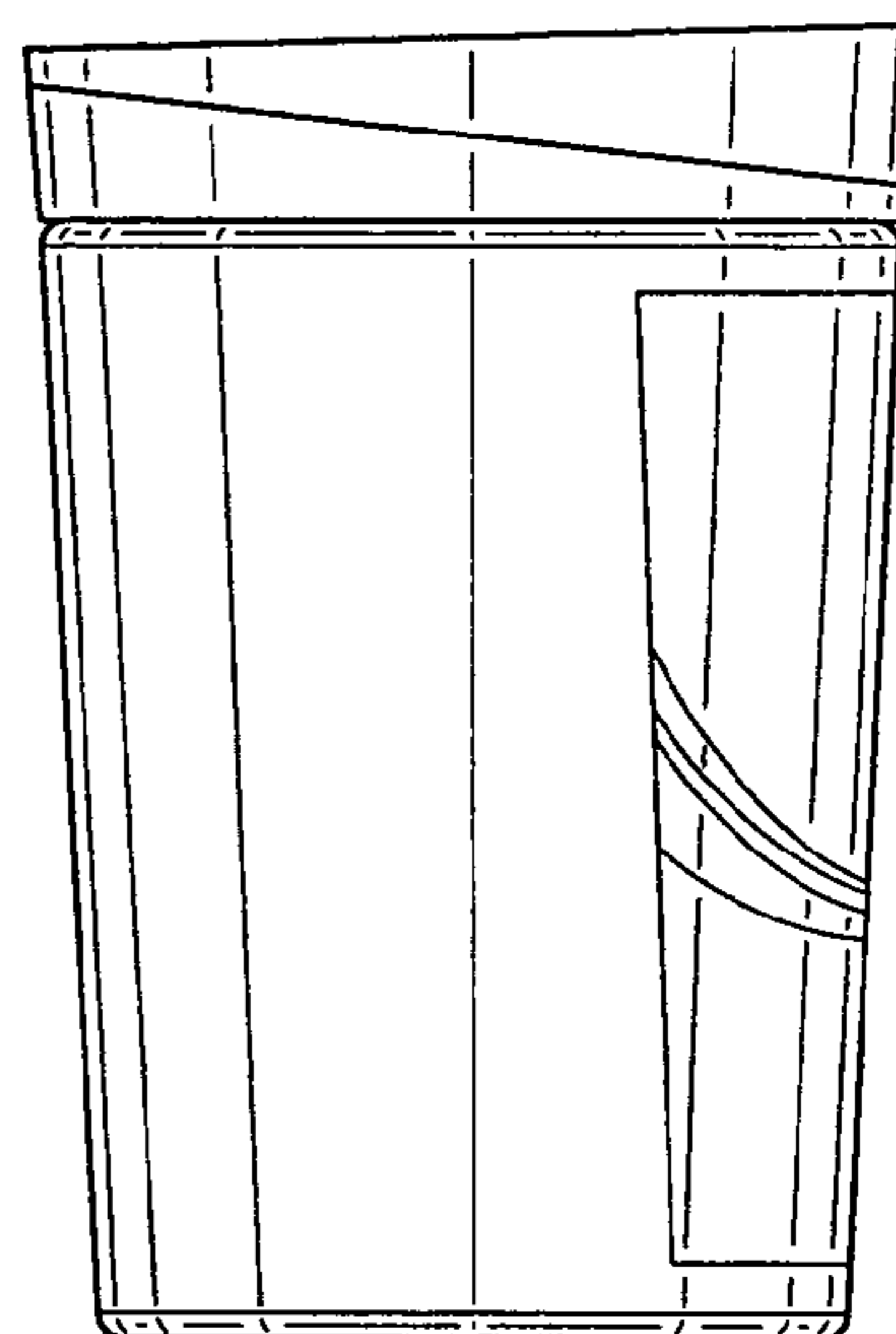


Fig. 3

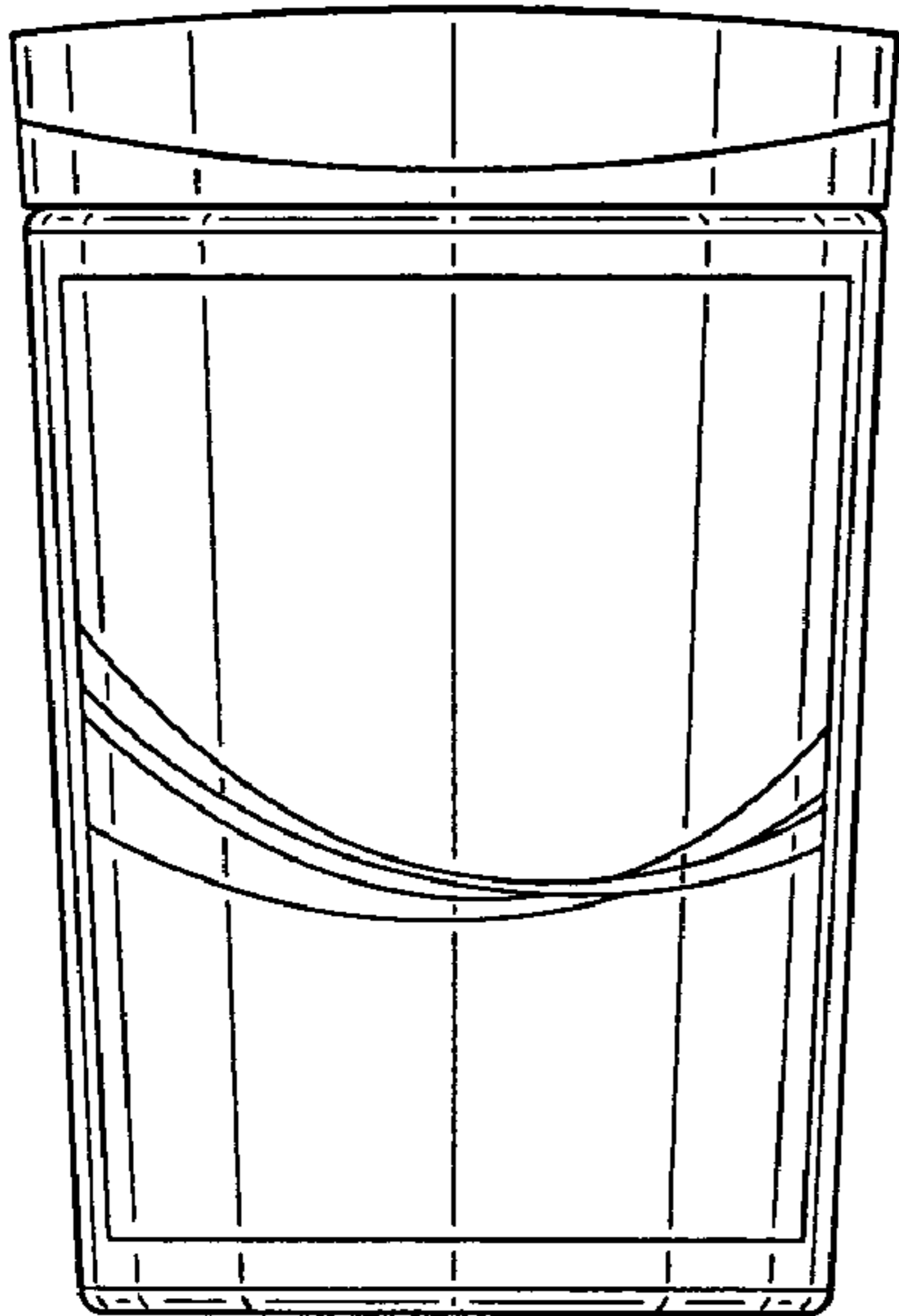


Fig.4

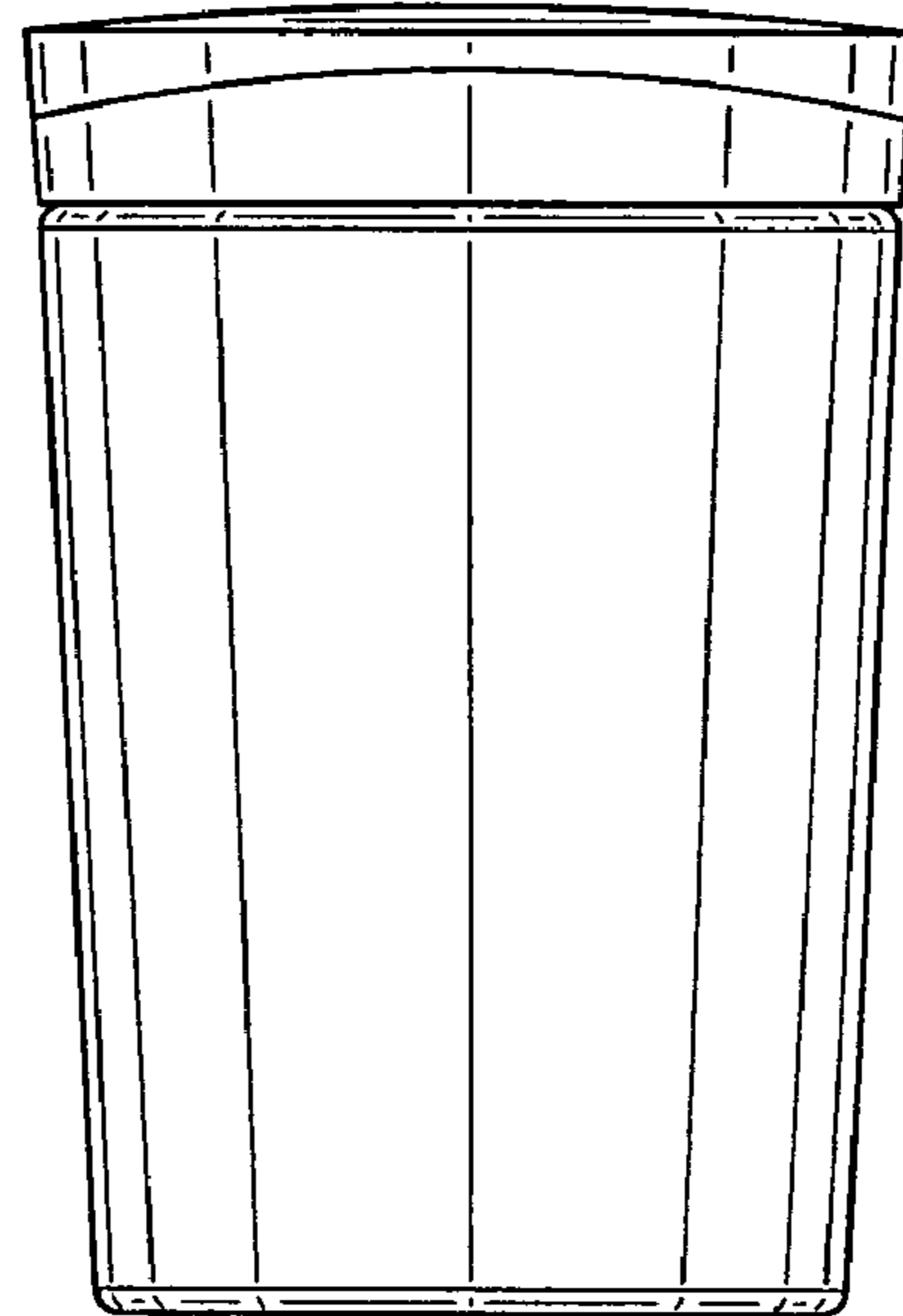


Fig.5

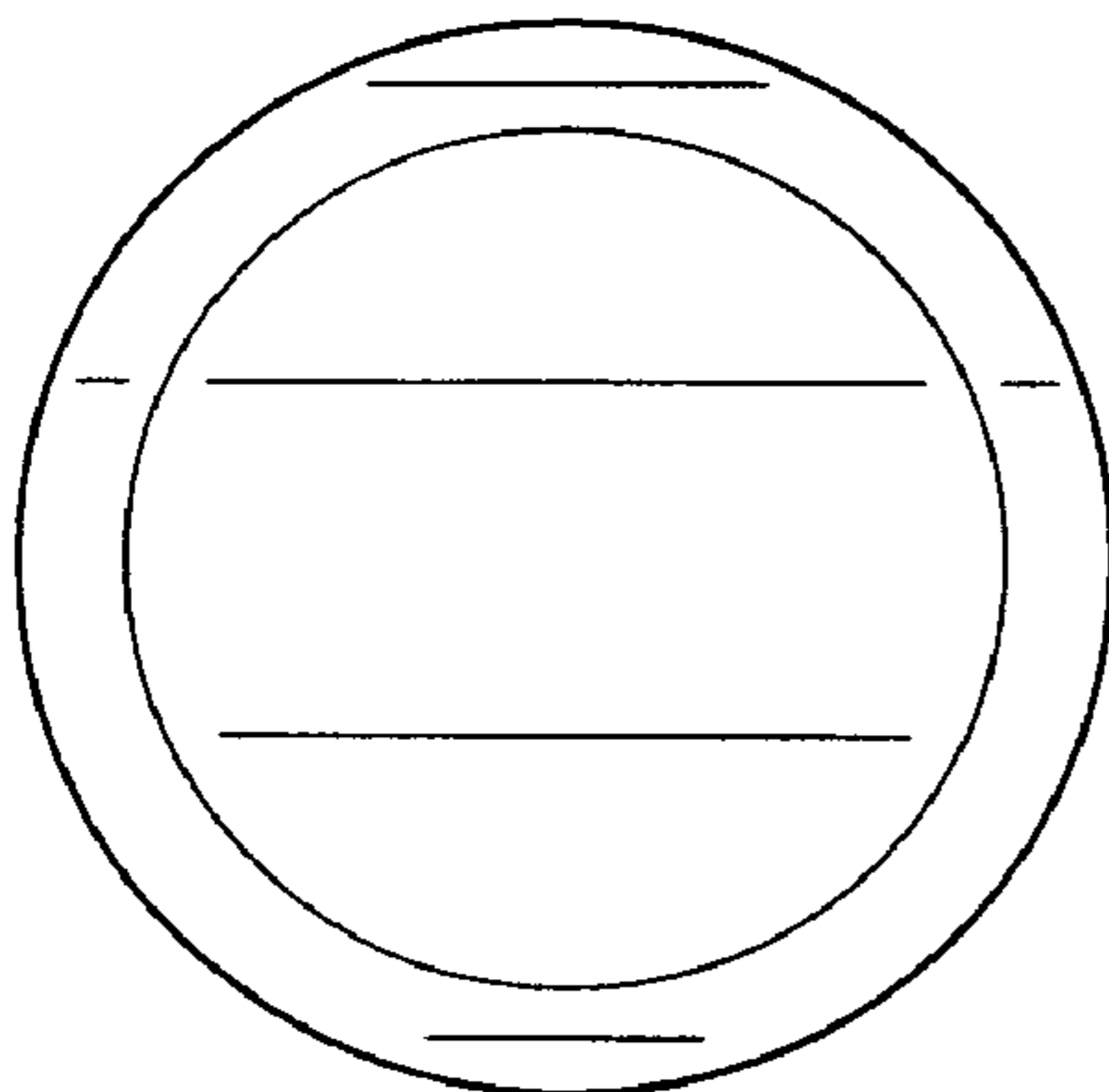


Fig.6

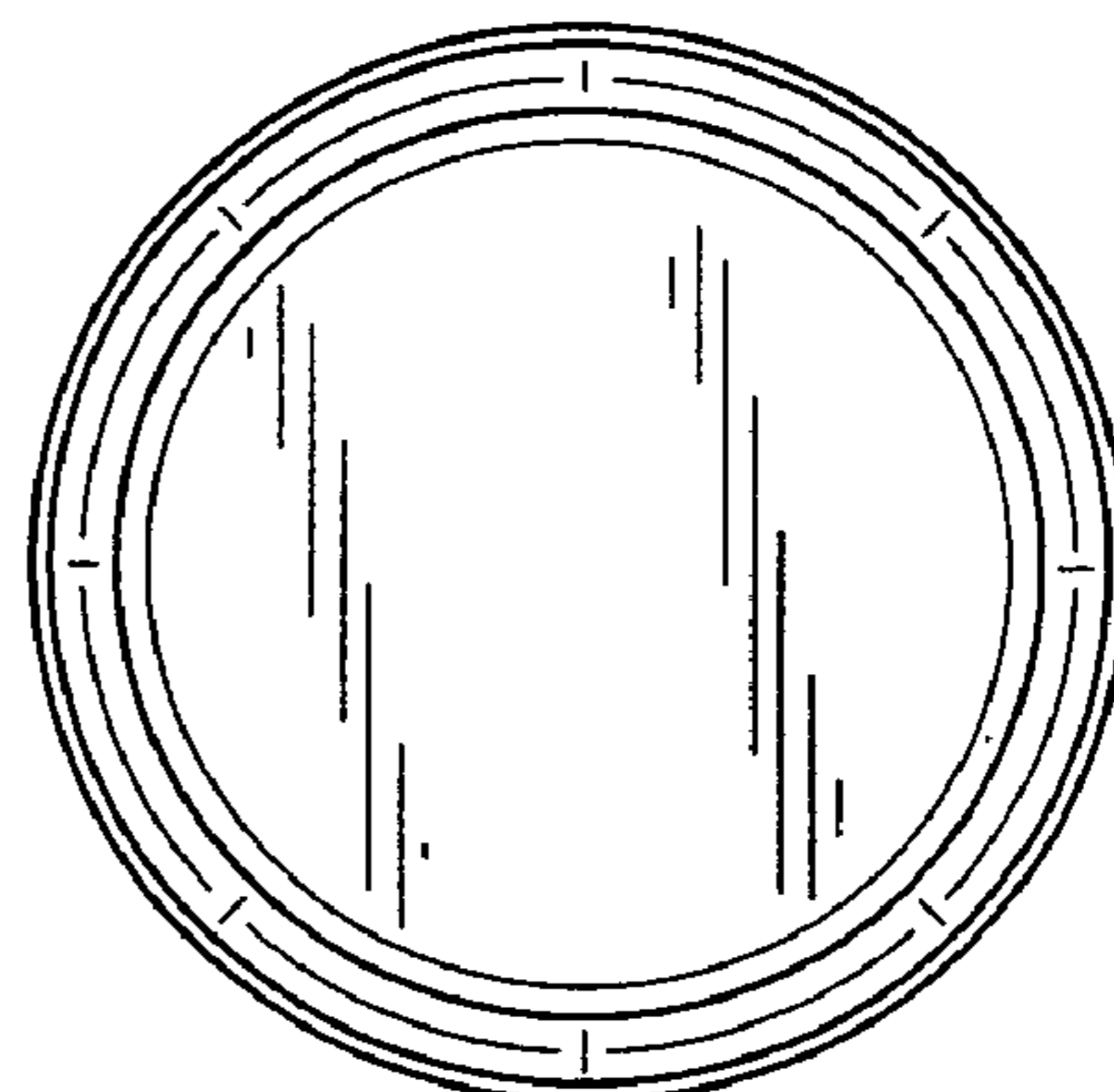


Fig.7

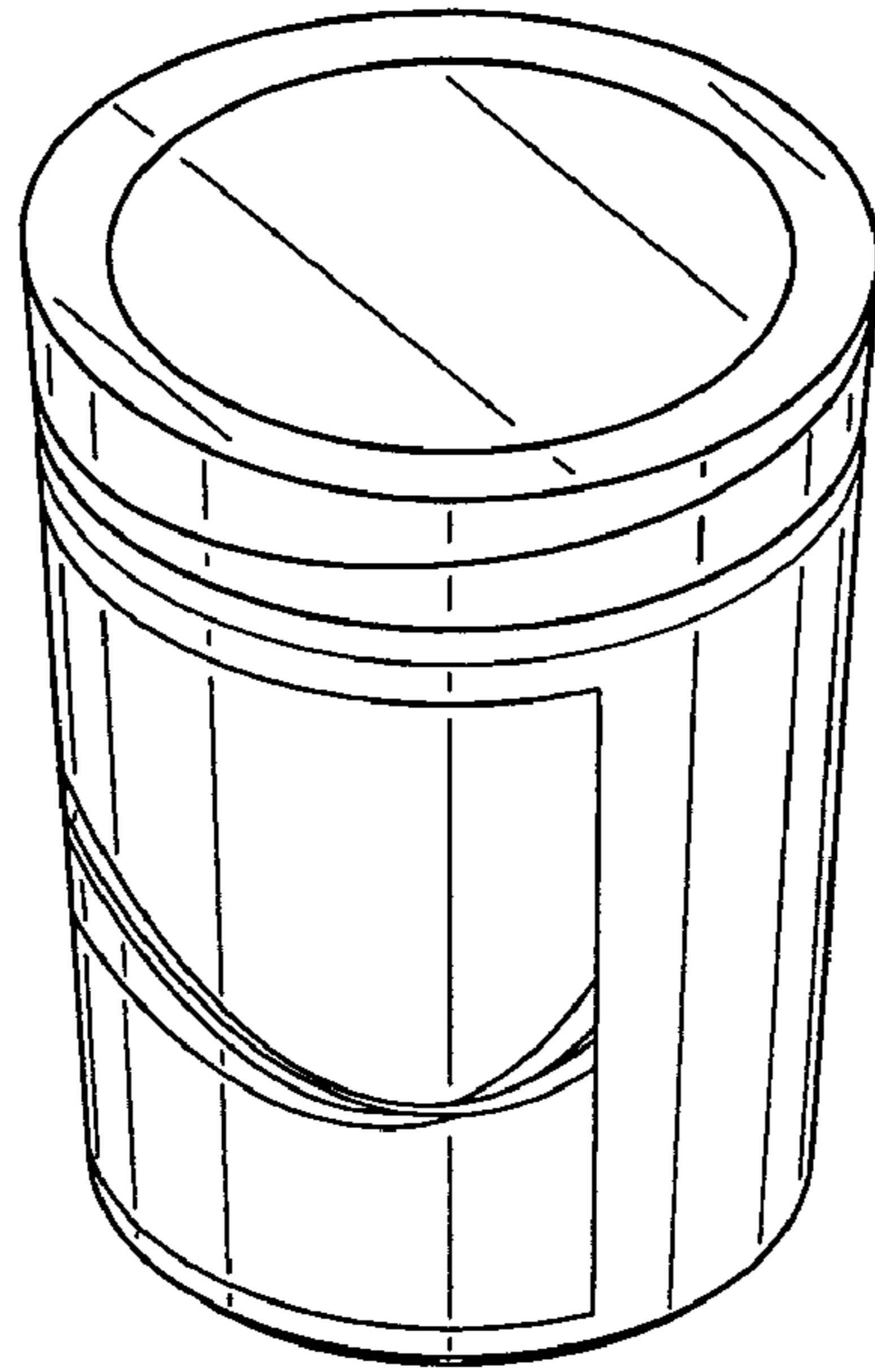


Fig.8

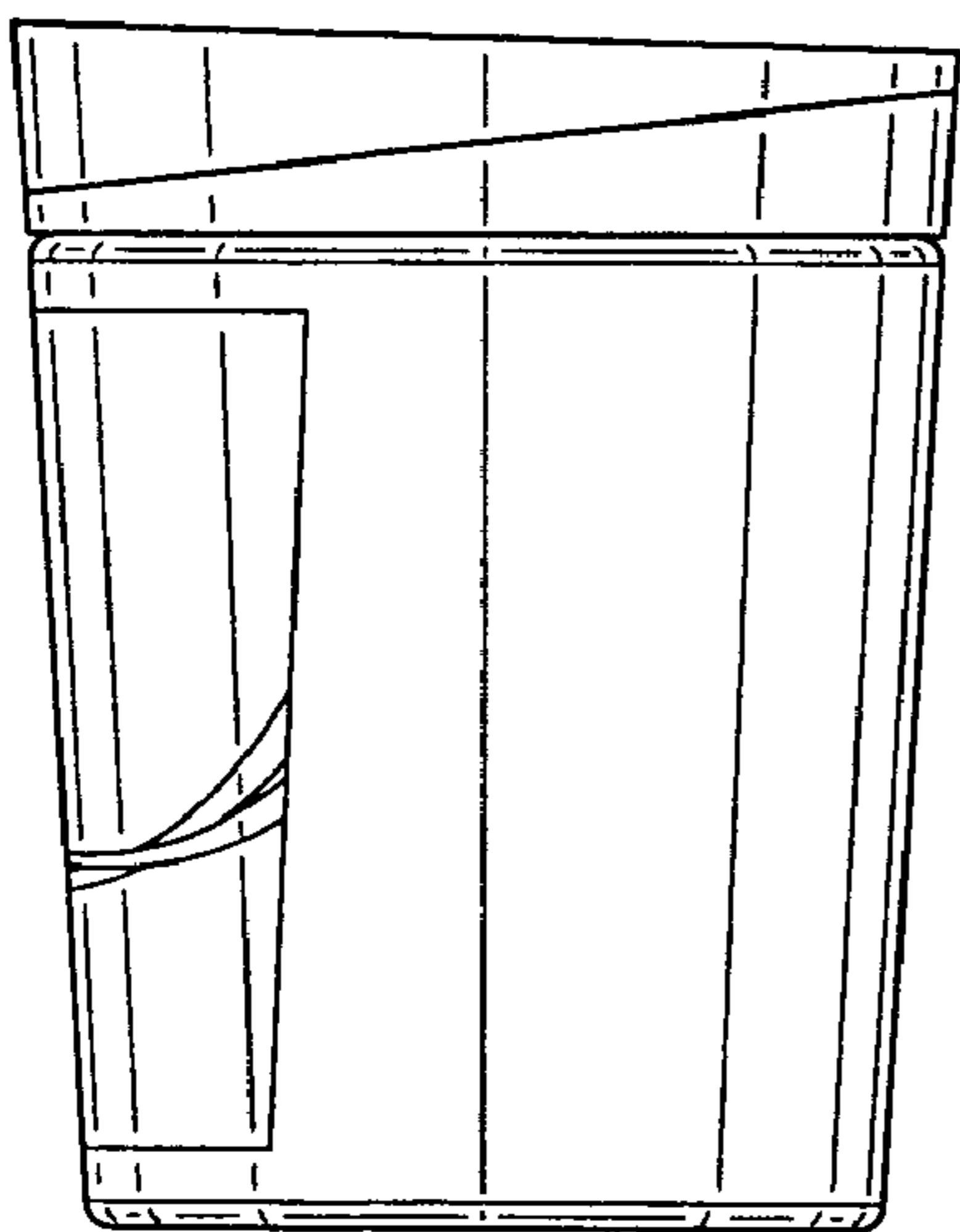


Fig.9

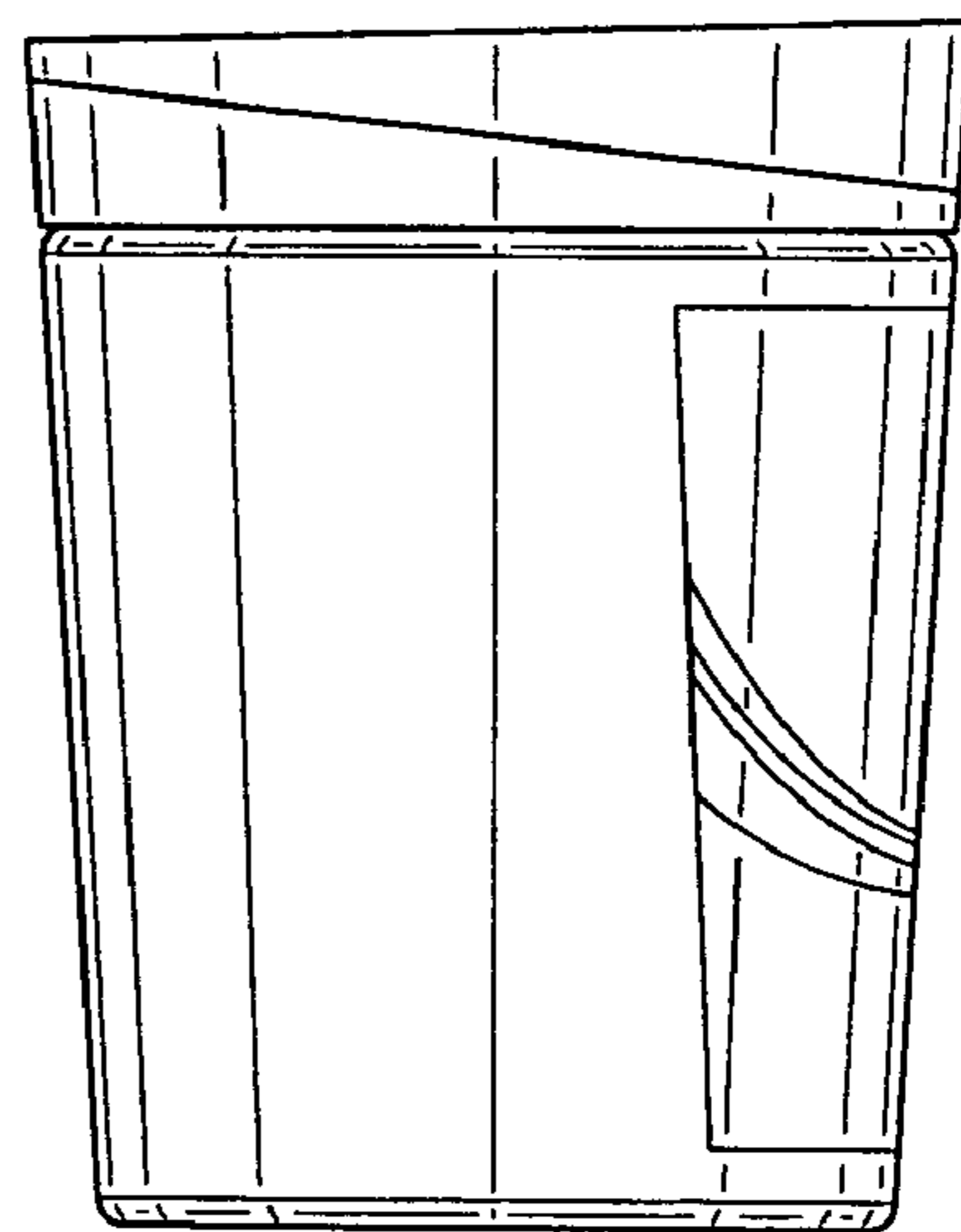


Fig.10

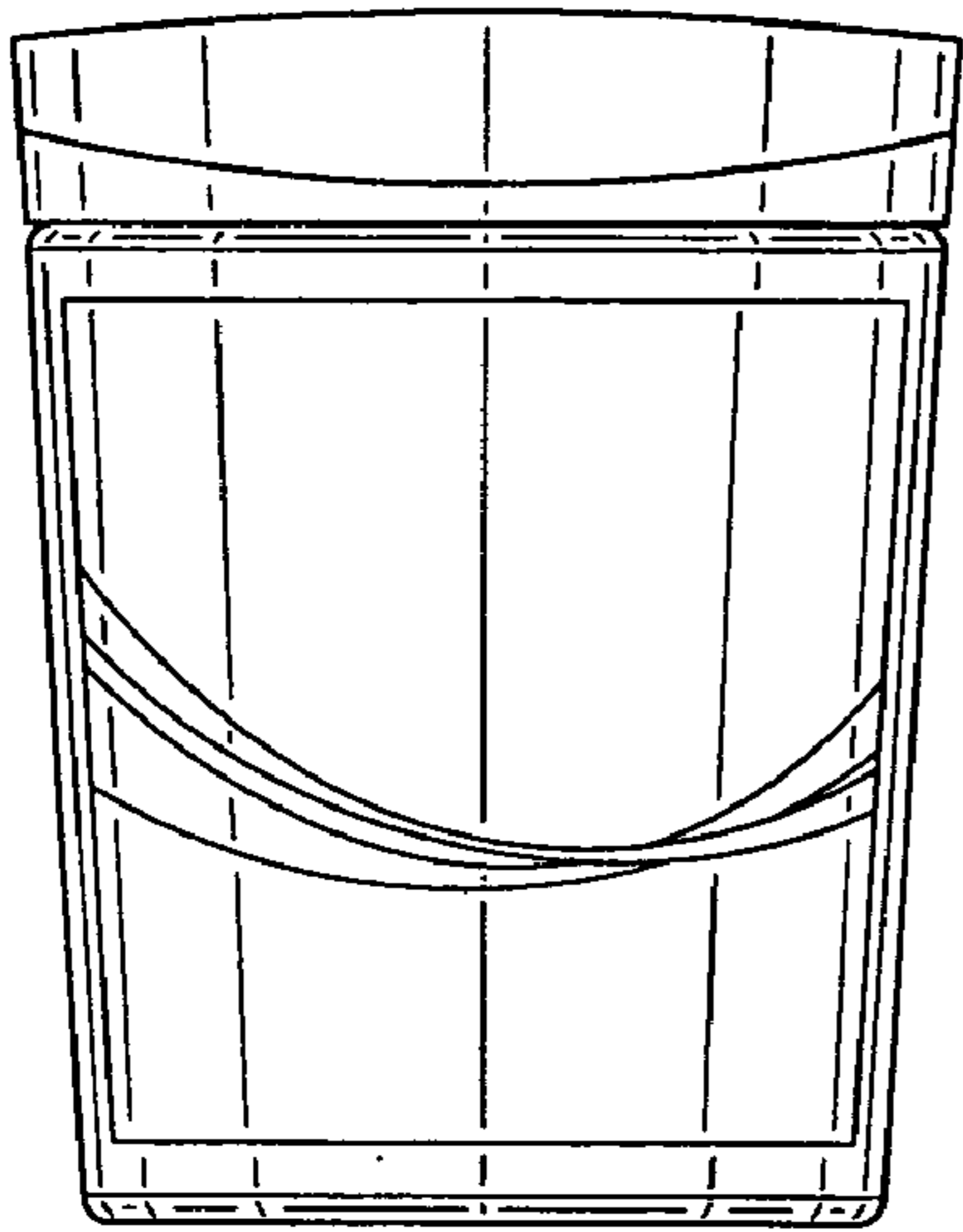


Fig. 11

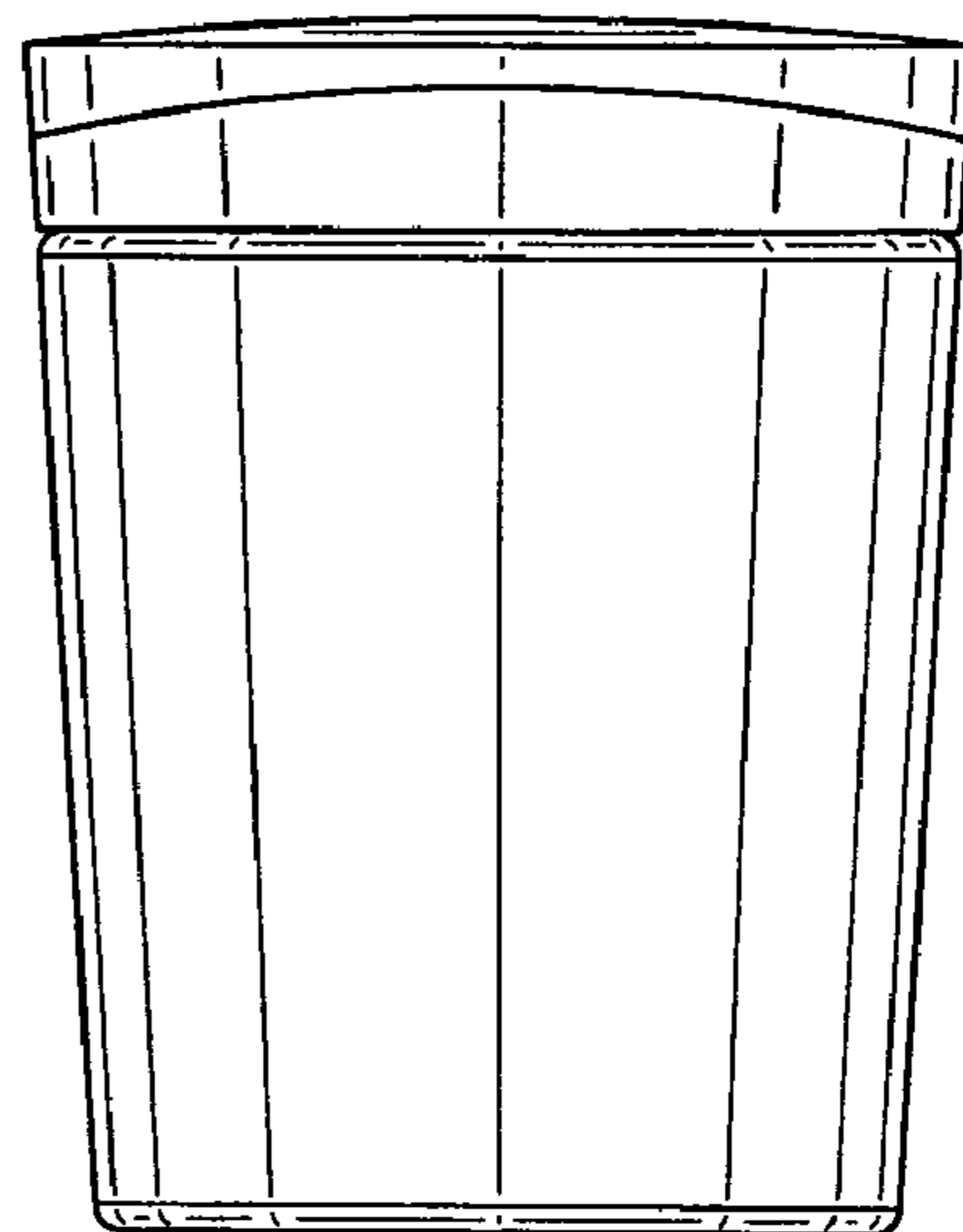


Fig. 12

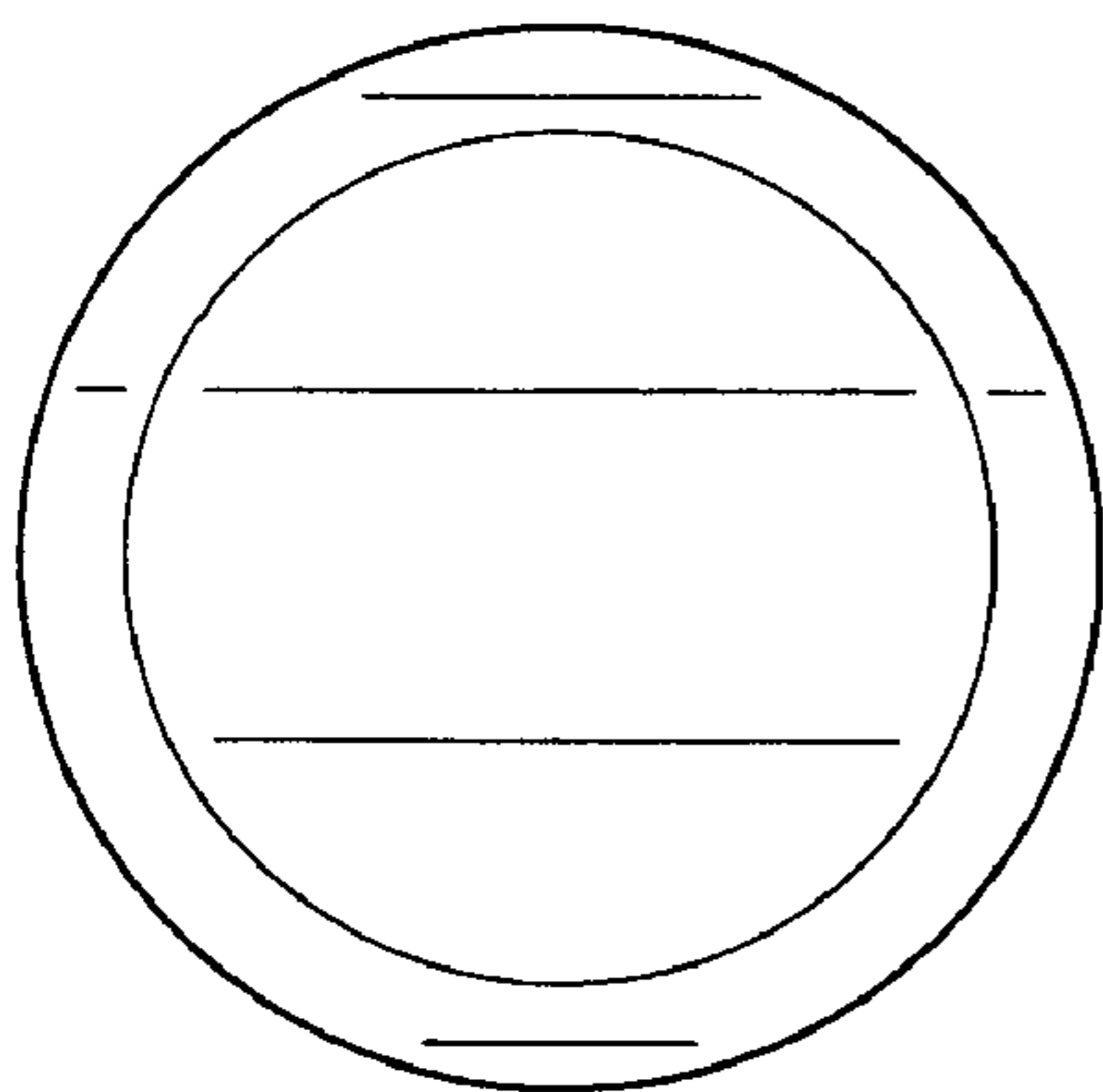


Fig. 13

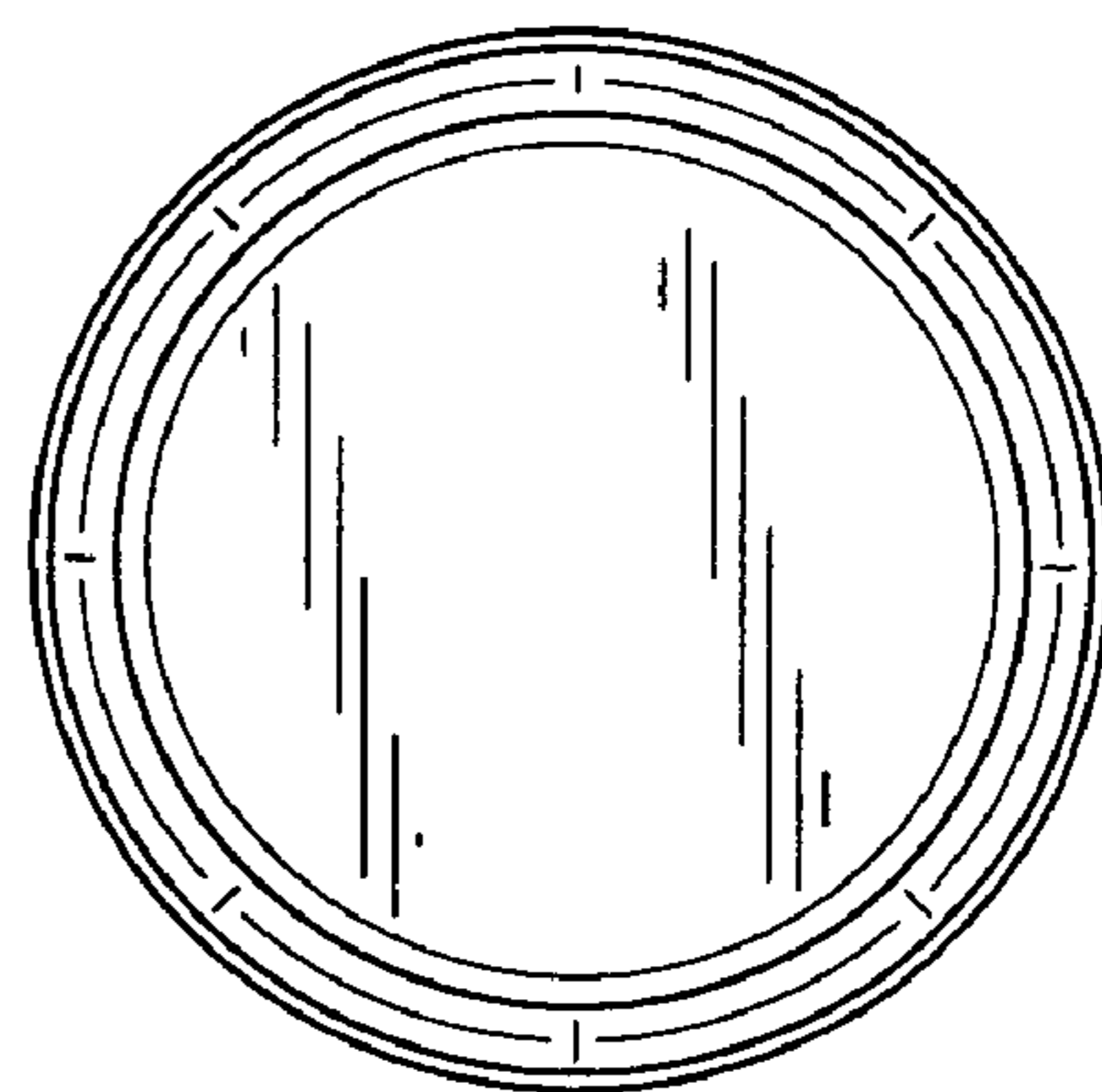


Fig. 14

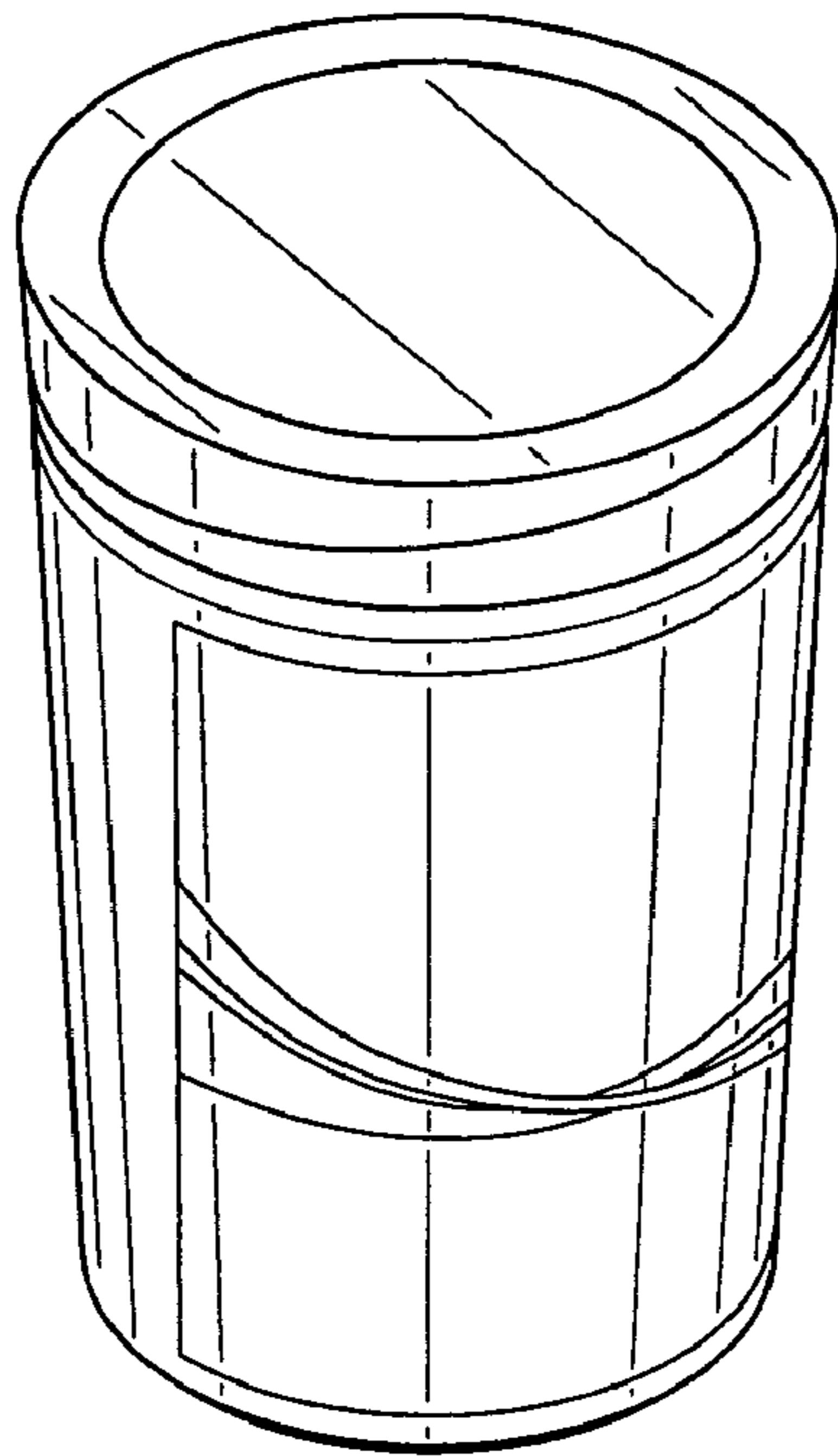


Fig. 15

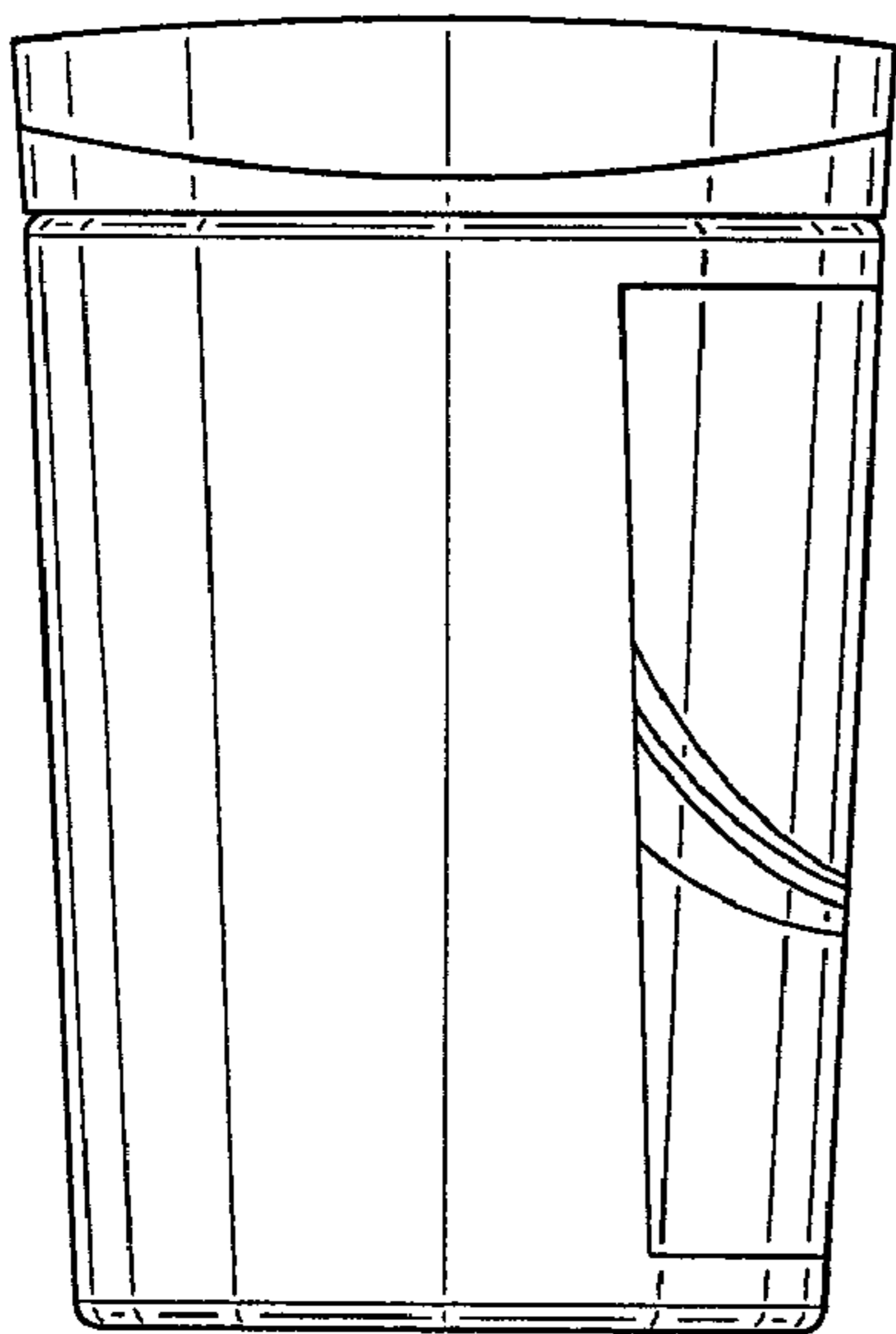


Fig. 16

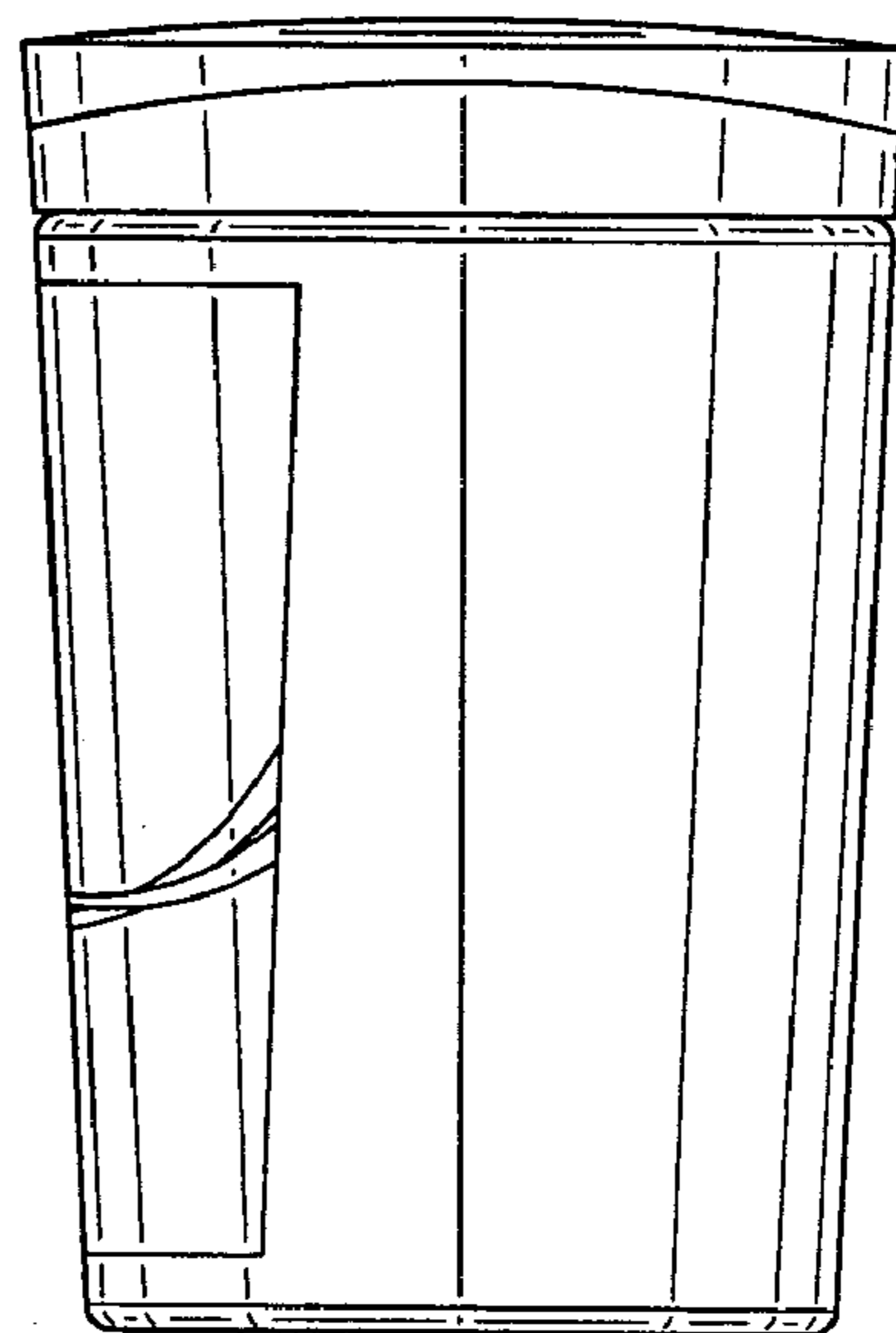


Fig. 17

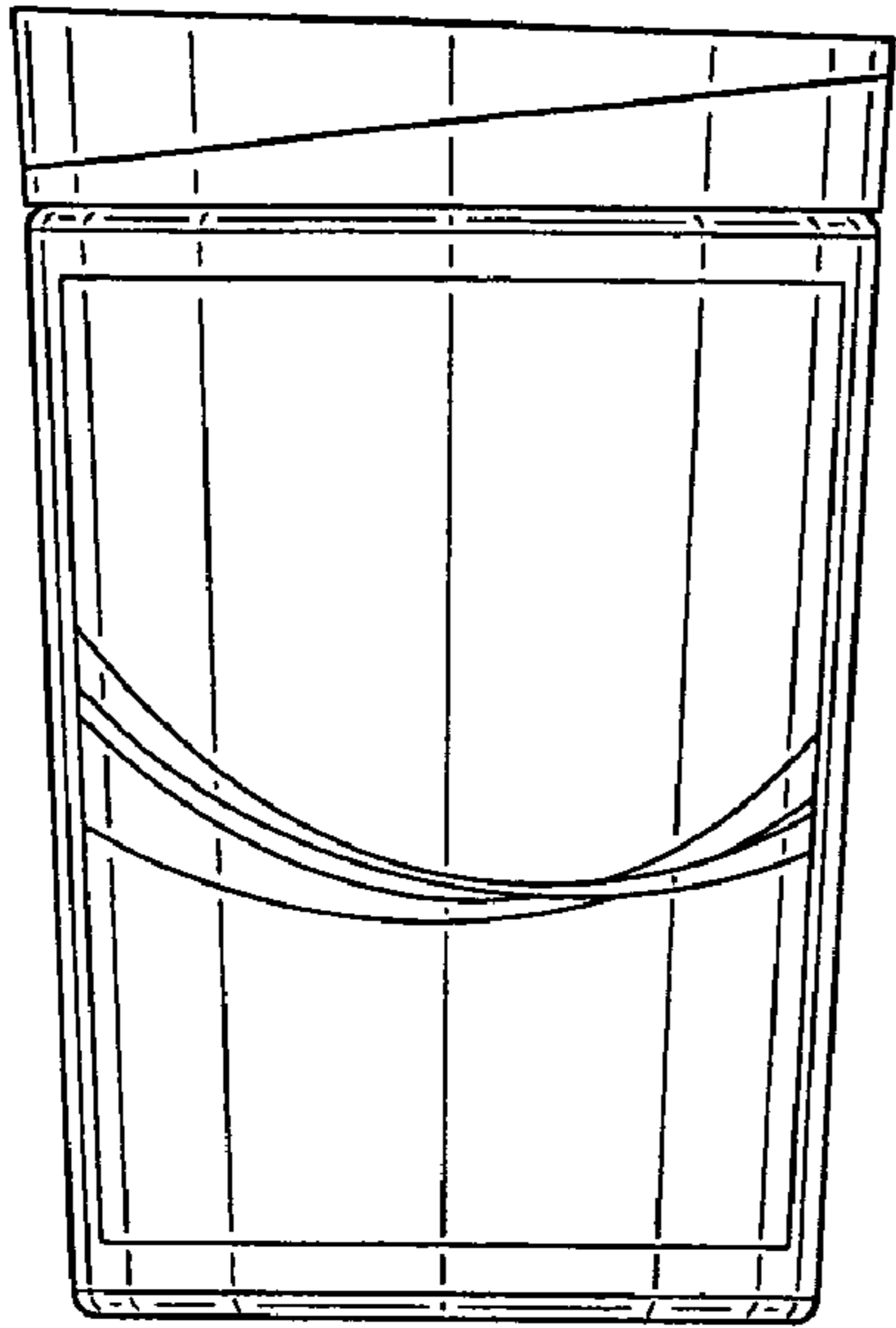


Fig.18

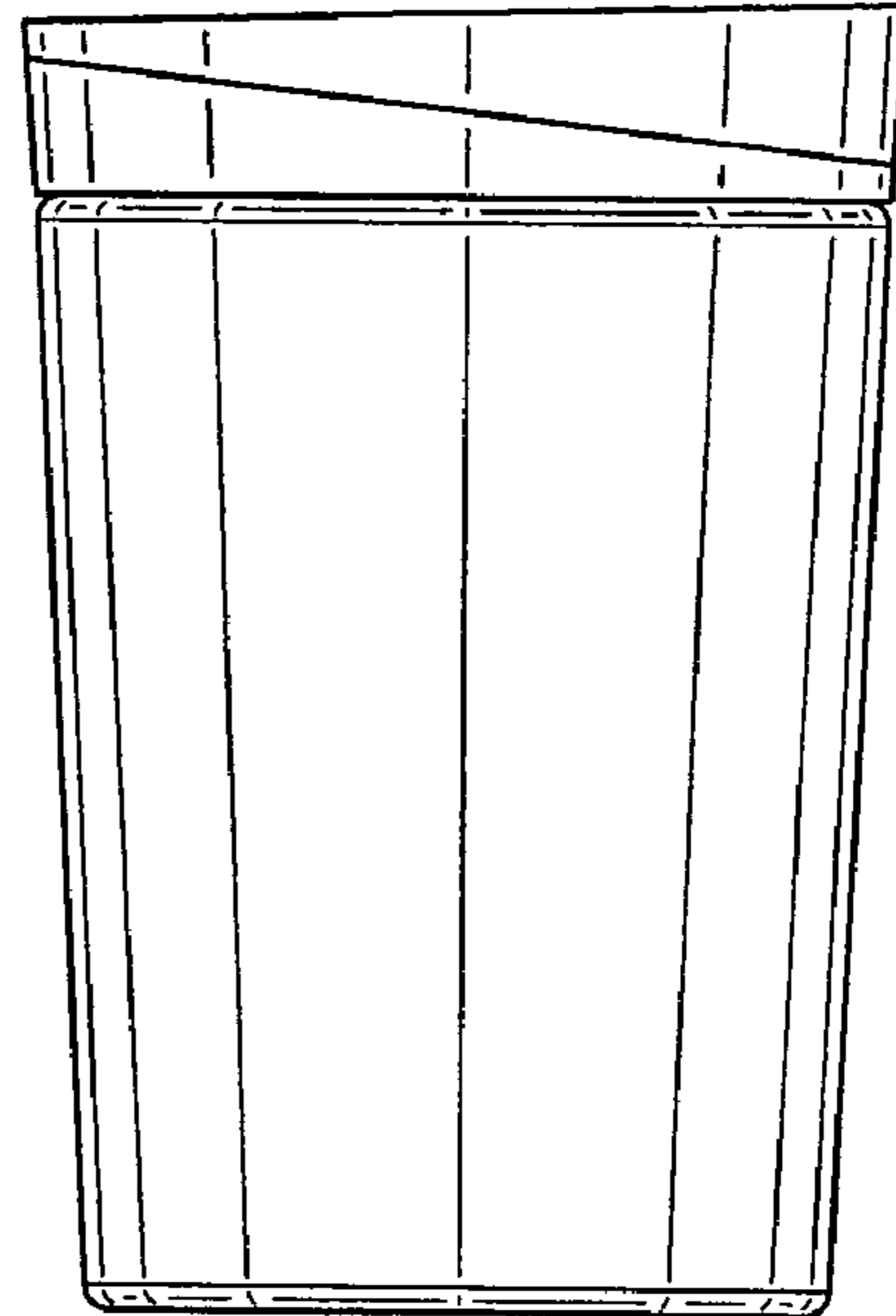


Fig.19

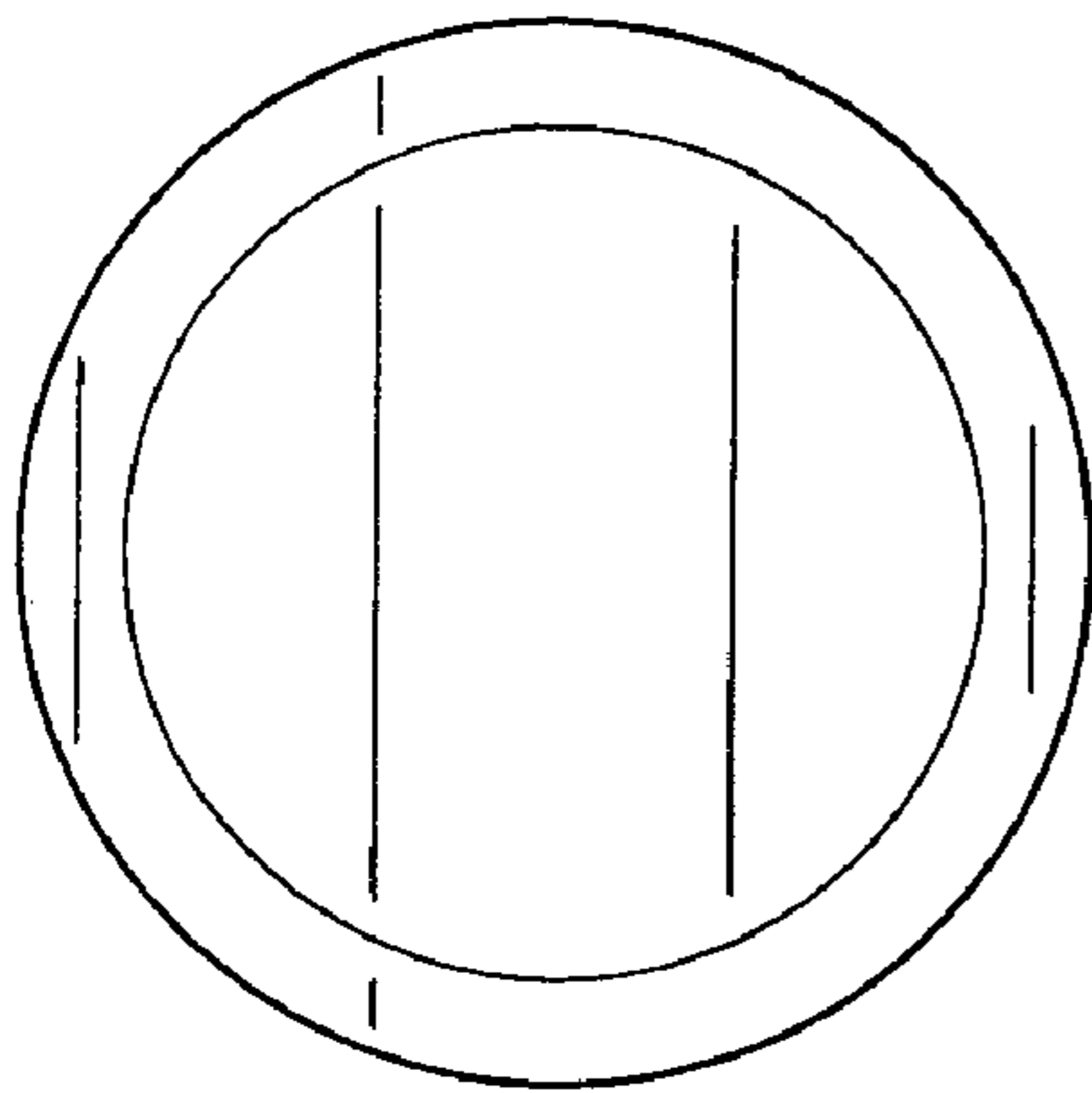


Fig.20

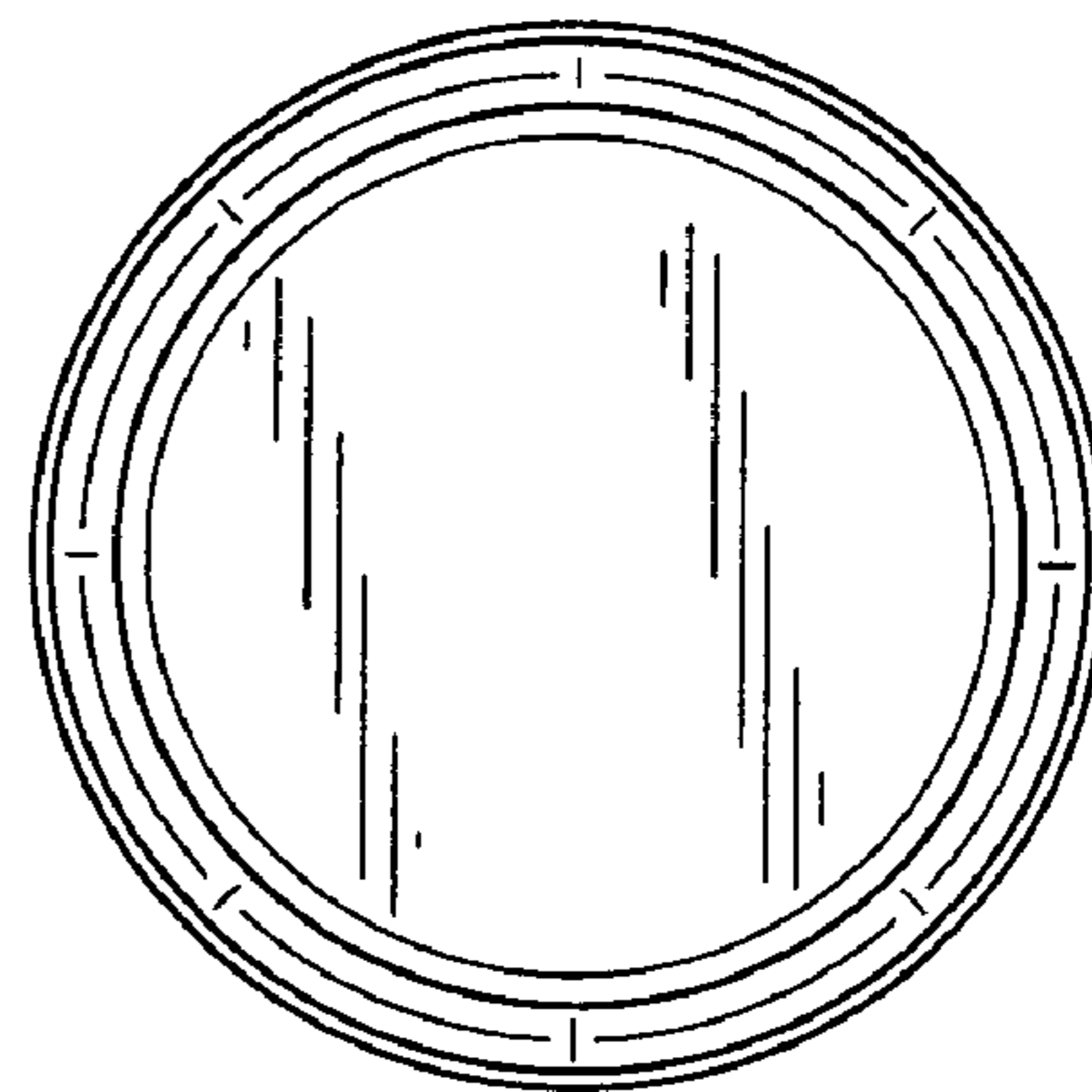


Fig.21

UNITED STATES PATENT AND TRADEMARK OFFICE  
**CERTIFICATE OF CORRECTION**

PATENT NO. : Des. 546,694 S  
APPLICATION NO. : 29/252603  
DATED : July 17, 2007  
INVENTOR(S) : Penfold et al.


Page 1 of 1

It is certified that error appears in the above-identified patent and that said Letters Patent is hereby corrected as shown below:

Title Page; should read;  
(22) Filed: January 26, 2006

Signed and Sealed this

Thirtieth Day of October, 2007

A handwritten signature in black ink on a light gray dotted background. The signature reads "Jon W. Dudas" in a cursive style.

JON W. DUDAS

*Director of the United States Patent and Trademark Office*